



US00D365023S

United States Patent [19]

[11] Patent Number: **Des. 365,023**

Abrams et al.

[45] Date of Patent: ***** Dec. 12, 1995**

[54] **PACKAGE FOR CONTACT LENS CONTAINERS**

4,360,106 11/1982 Irvine et al. 229/228 X

[75] Inventors: **Richard Abrams**, Jacksonville; **W. Anthony Martin**, Orange Park, both of Fla.; **Robert J. Tesar**, Matthews, N.C.

[73] Assignee: **Johnson & Johnson Vision Products, Inc.**, Jacksonville, Fla.

[*] Notice: The portion of the term of this patent subsequent to Mar. 15, 2008, has been disclaimed.

[**] Term: **14 Years**

[21] Appl. No.: **9,568**

[22] Filed: **Jun. 15, 1993**

[52] U.S. Cl. **D9/423**

[58] Field of Search D9/423, 420, 432, D9/416, 414; 229/228, 229; 206/5.1, 6, 44.12, 594, 316.1; 220/418

[56] **References Cited**

U.S. PATENT DOCUMENTS

D. 345,101	3/1994	Abrams	D9/423
3,235,167	2/1966	Svensson	229/228
4,284,197	8/1981	Meyers	229/228
4,291,807	9/1981	Giordano et al.	229/228 X
4,326,634	4/1982	Meyers	229/228

OTHER PUBLICATIONS

Modern Packaging, 1970, p. 502, top of the page shown by arrow.

Primary Examiner—Prabhakar G. Deshmukh

[57] **CLAIM**

The ornamental design for package for contact lens containers, as shown and described.

DESCRIPTION

FIG. 1 is a perspective view of a package for contact lens containers showing my new design;
 FIG. 2 is a top plan view of thereof;
 FIG. 3 is a front elevational view thereof;
 FIG. 4 is a right side elevational view thereof; left side elevational view being a mirror image thereof;
 FIG. 5 is a rear elevational view thereof;
 FIG. 6 is a bottom plan view thereof;
 FIG. 7 is a plan view of the package in an unassembled condition;
 FIG. 8 is a perspective view thereof; in open position with the perforations of the package broken; and,
 FIG. 9 is a perspective view thereof; with the perforations of the package broken and the front tab tucked in.
 The broken lines showing of contact lens containers is for illustrative purposes only and forms no part of the claim.

1 Claim, 4 Drawing Sheets

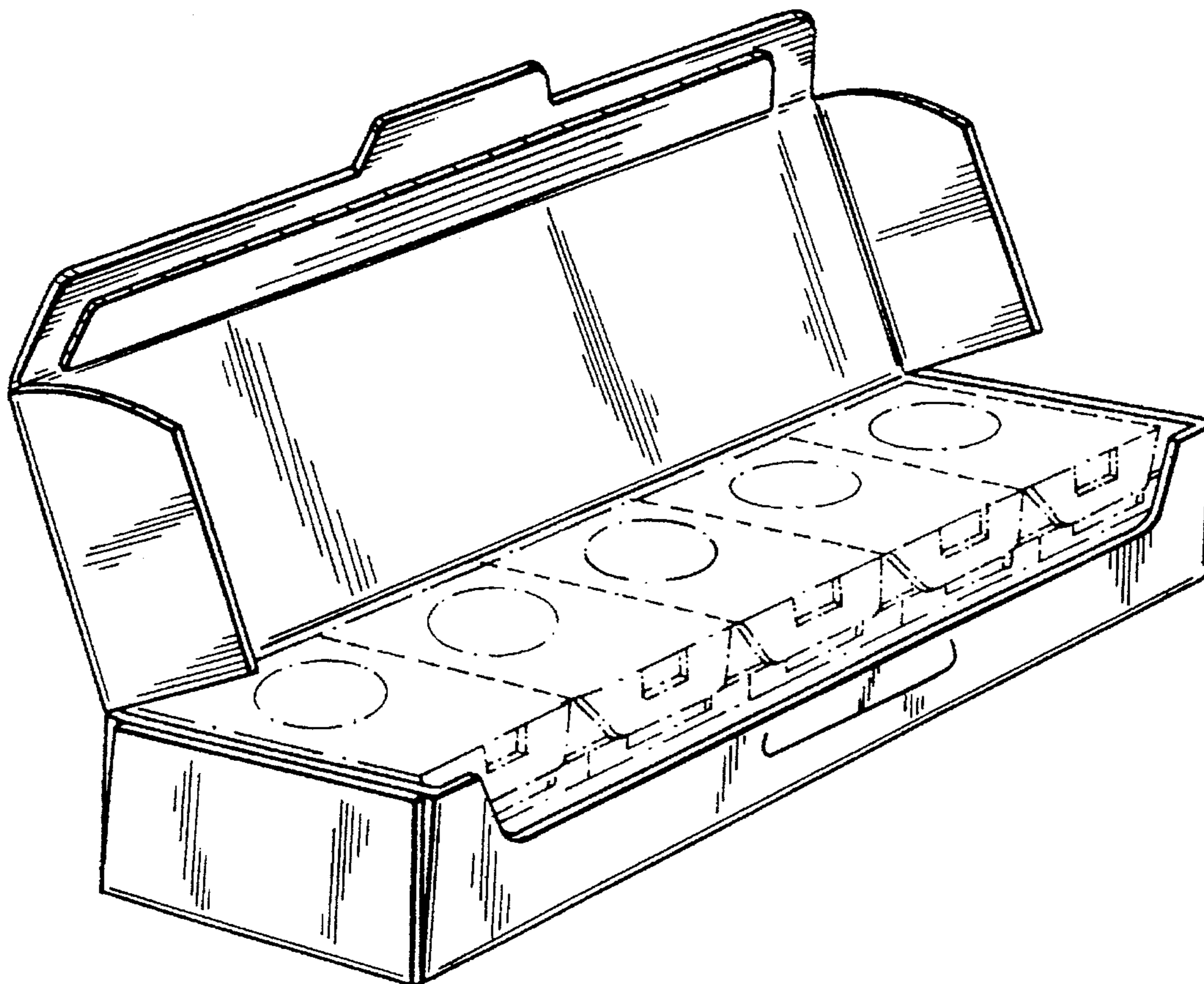


FIG. 1

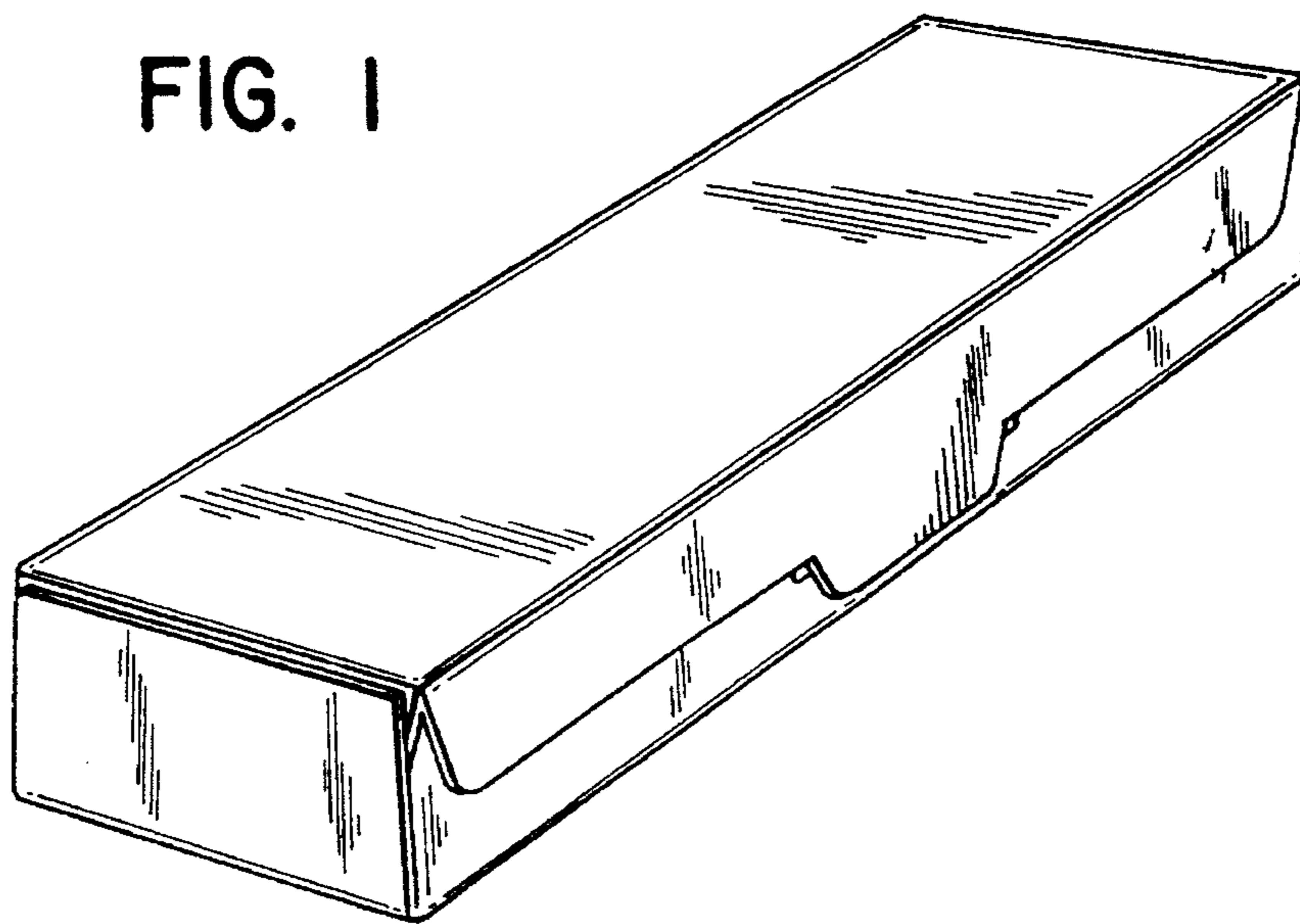


FIG. 2

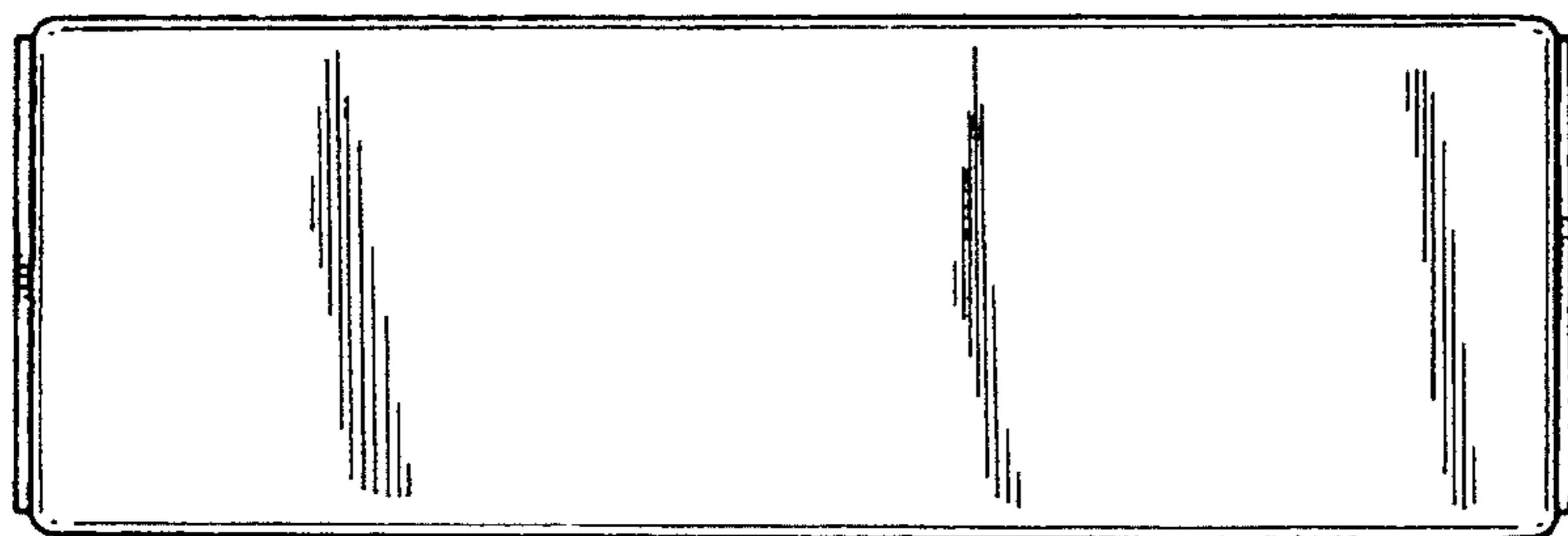


FIG. 3

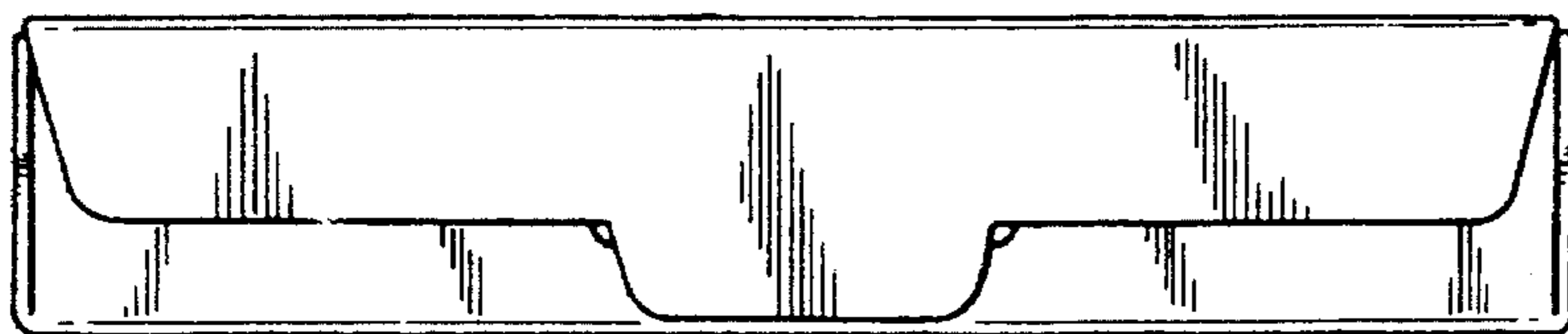


FIG. 4

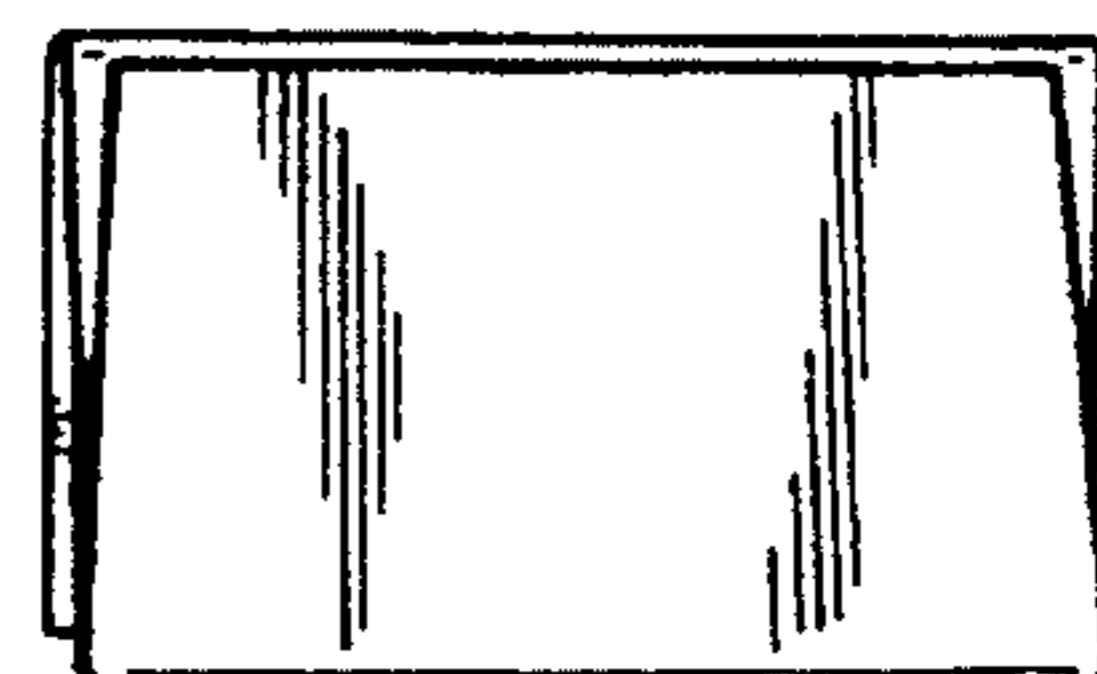


FIG. 5

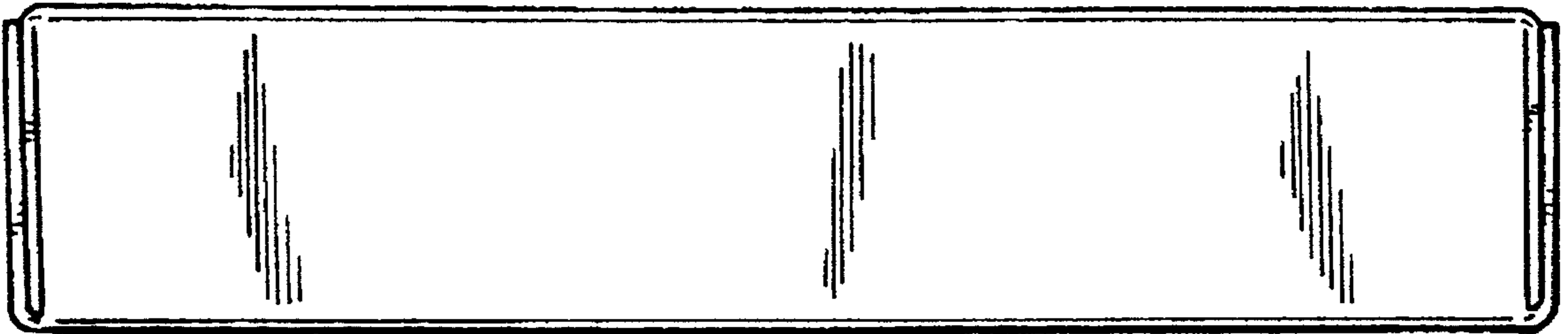


FIG. 6

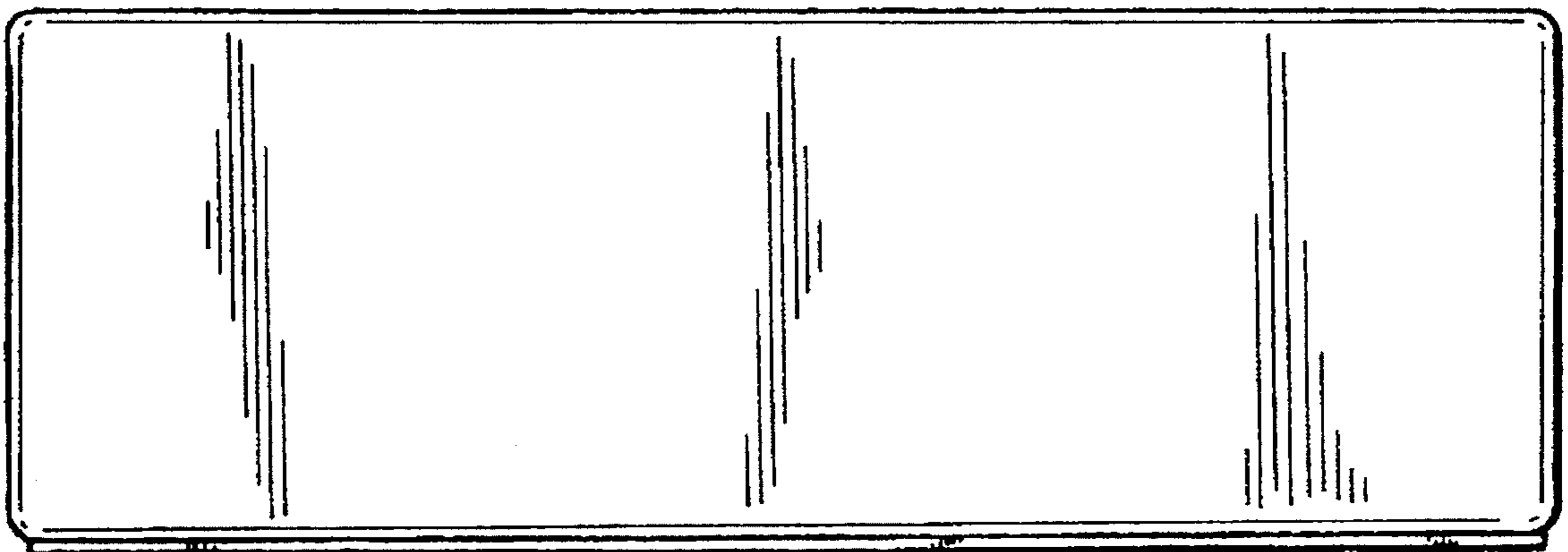


FIG. 7

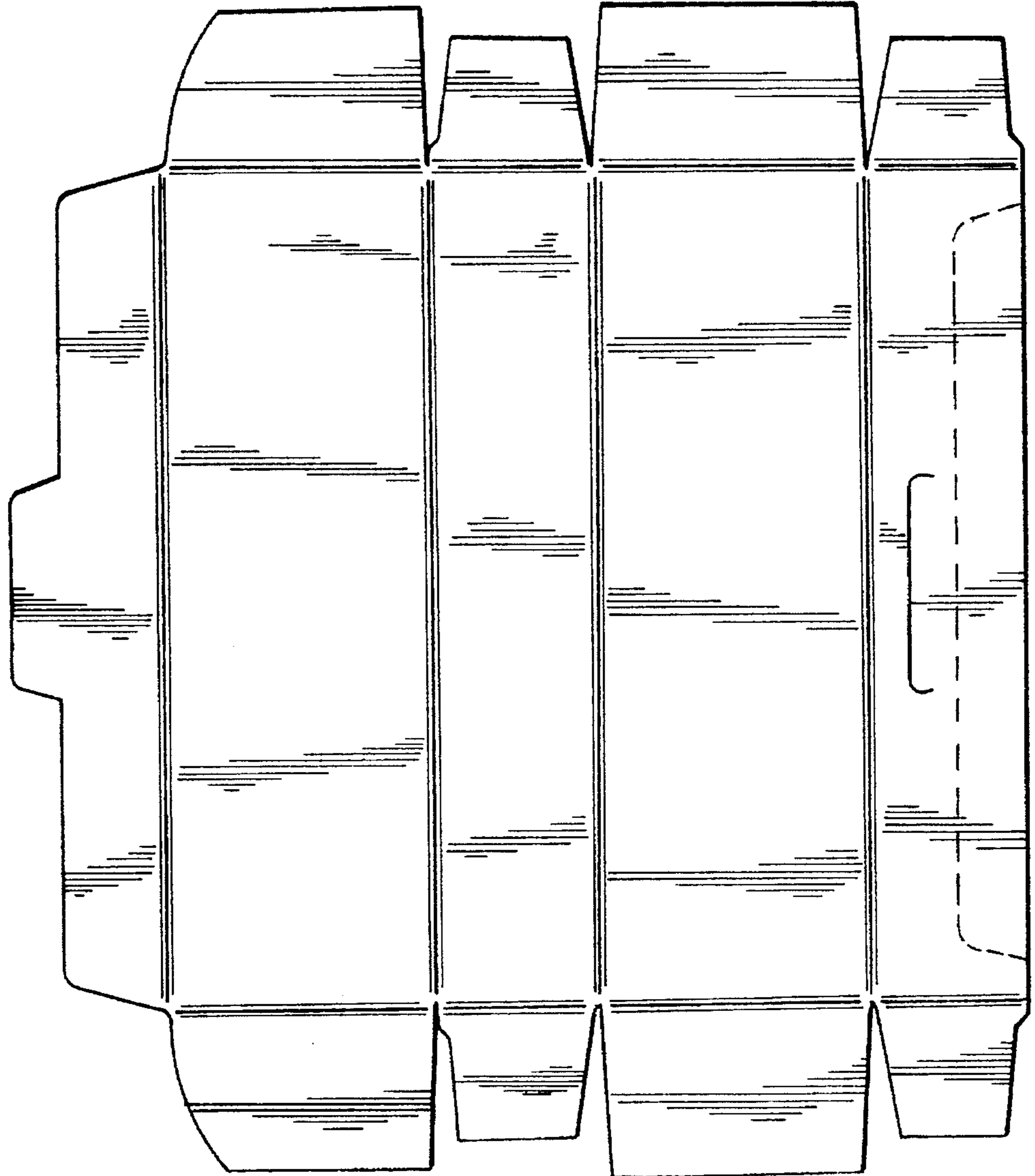


FIG. 8

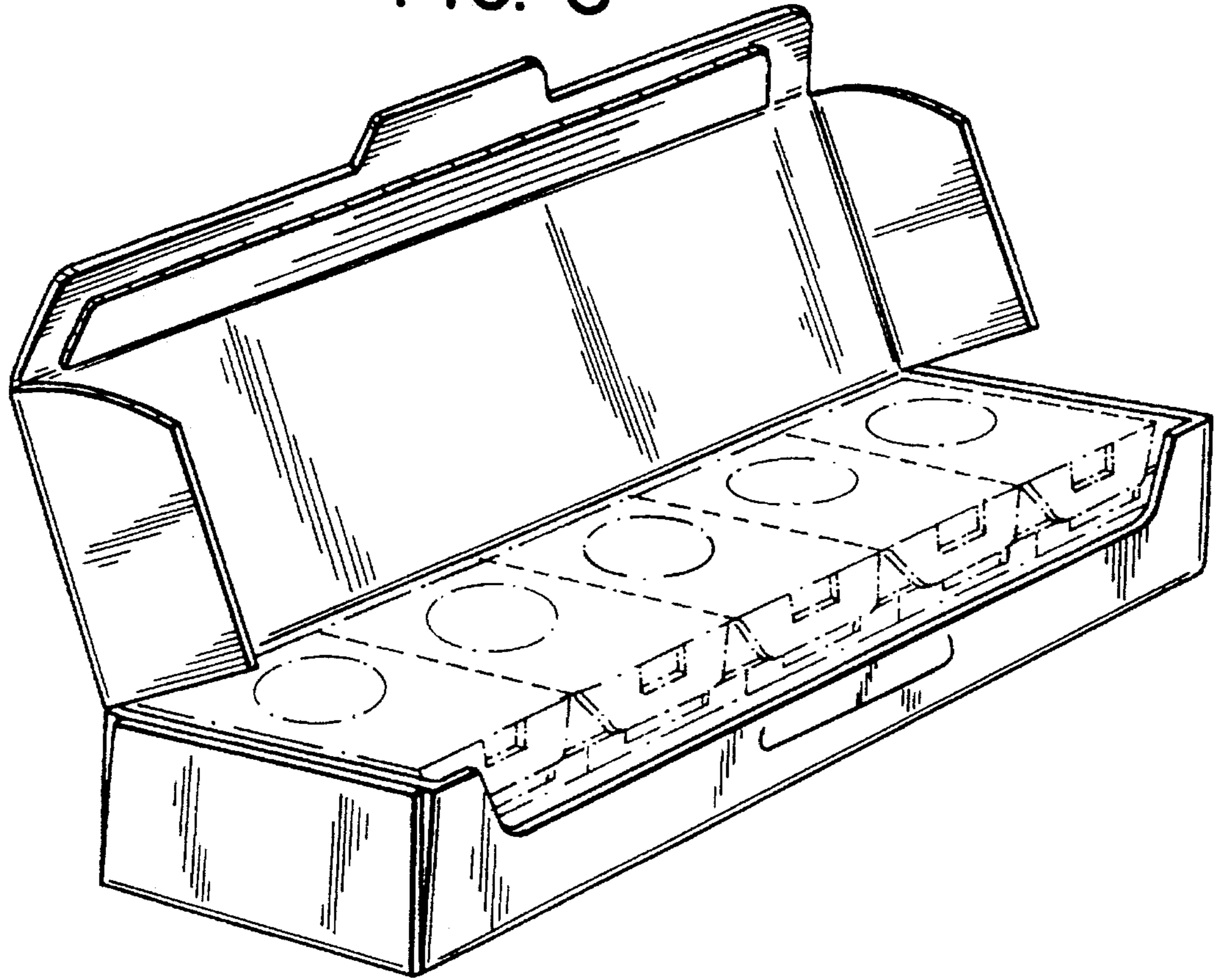


FIG. 9

