



US00D365022S

**United States Patent** [19]  
**Wada**

[11] **Patent Number: Des. 365,022**

[45] **Date of Patent: \*\*Dec. 12, 1995**

[54] **PACKAGING ASSEMBLY**

[75] Inventor: **Yuko Wada**, Kanagawa, Japan

[73] Assignee: **Sony Corporation**, Tokyo, Japan

[\*\*] Term: **14 Years**

[21] Appl. No.: **28,173**

[22] Filed: **Sep. 8, 1994**

[52] U.S. Cl. .... **D9/415**

[58] **Field of Search** ..... D9/415, 418, 341,  
D9/337; 206/461-471, 45.34, 44 R, 477,  
495, 806

[56] **References Cited**

**U.S. PATENT DOCUMENTS**

D. 250,092	10/1978	Schoenfield et al. ....	D9/415 X
D. 348,391	7/1994	Ichikawa et al. ....	D9/415
D. 348,392	7/1994	Tannen .....	D9/415
D. 352,236	11/1994	Althaus .....	D9/415
4,326,546	4/1982	Acker .....	206/461 X
4,697,700	10/1987	Weissman .....	206/467 X

**OTHER PUBLICATIONS**

Packaging, Aug. 1986, vol. 31, p. 53.

Modern Packaging, 1963, p. 334.

*Primary Examiner*—Prabhakar G. Deshmukh  
*Attorney, Agent, or Firm*—Finnegan, Henderson, Farabow,  
Garrett & Dunner

[57] **CLAIM**

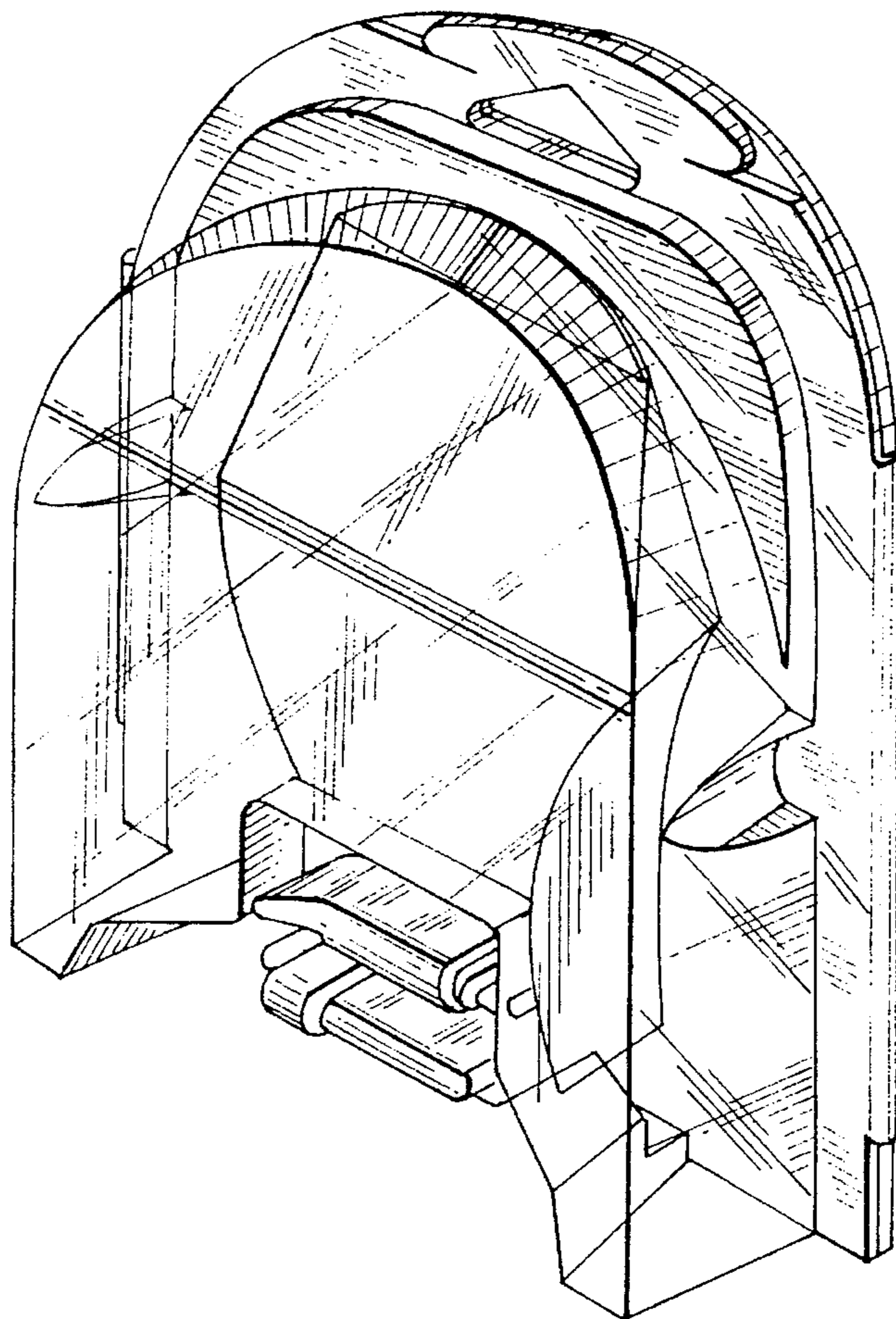
The ornamental design for a packaging assembly, as shown and described.

**DESCRIPTION**

FIG. 1 is an exploded view of a packaging assembly embodying my design;  
 FIG. 2 is a front elevational view thereof;  
 FIG. 3 is a back elevational view thereof;  
 FIG. 4 is a right elevational view thereof, the left elevational view being a mirror image thereof;  
 FIG. 5 is a top plan view thereof;  
 FIG. 6 is a bottom plan view thereof;  
 FIG. 7 is a cross-sectional view taken along line 7—7 in FIG. 2;  
 FIG. 8 is a perspective view thereof;  
 FIG. 9 is an exploded view of an alternate embodiment of my design; and,  
 FIG. 10 is a perspective view thereof.

The corresponding views of the second embodiment (FIG. 9) are similar to the views of the first embodiment (FIG. 1) FIGS. 2-8 inclusive with the exception of transparent surface.

**1 Claim, 5 Drawing Sheets**



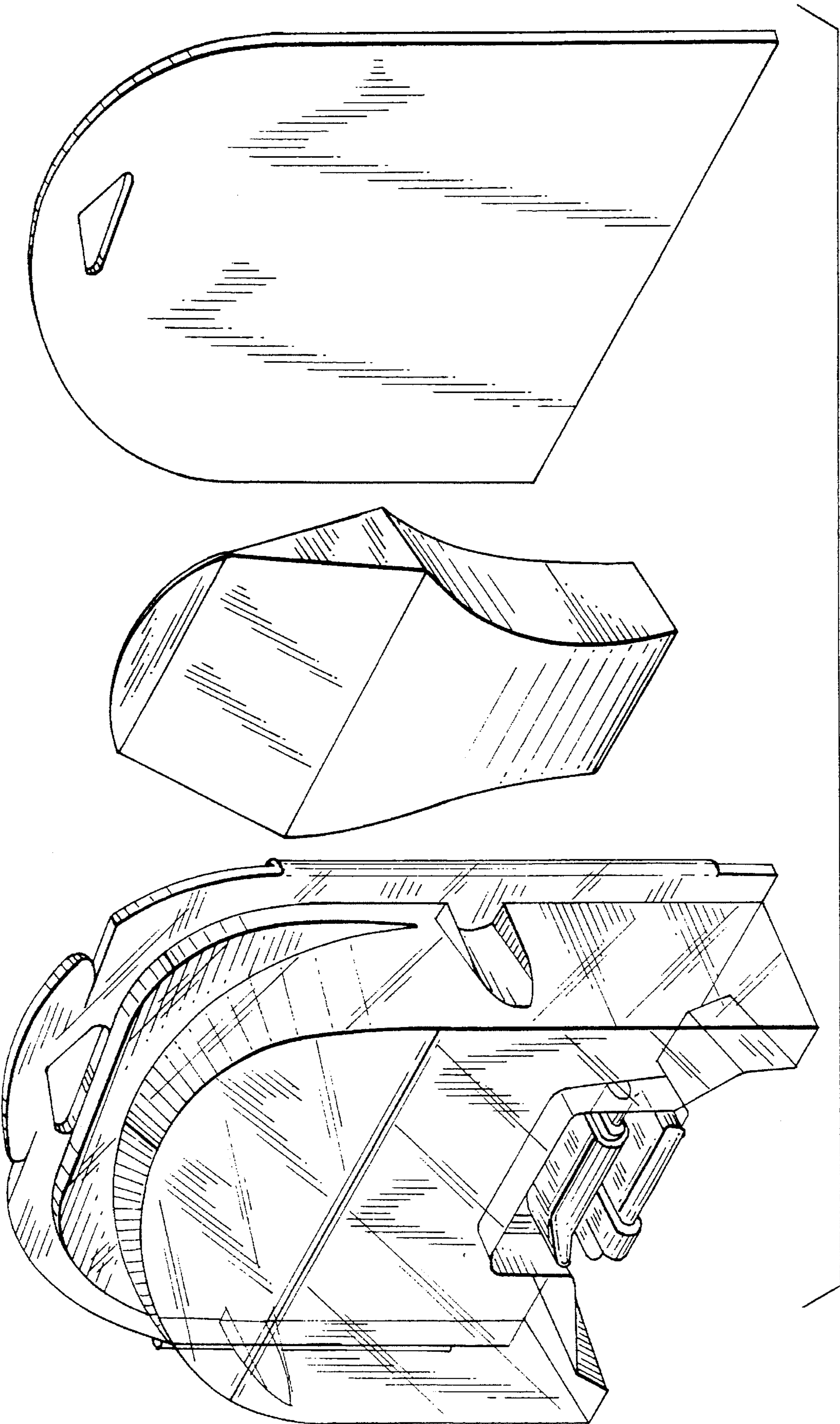


FIG. 1



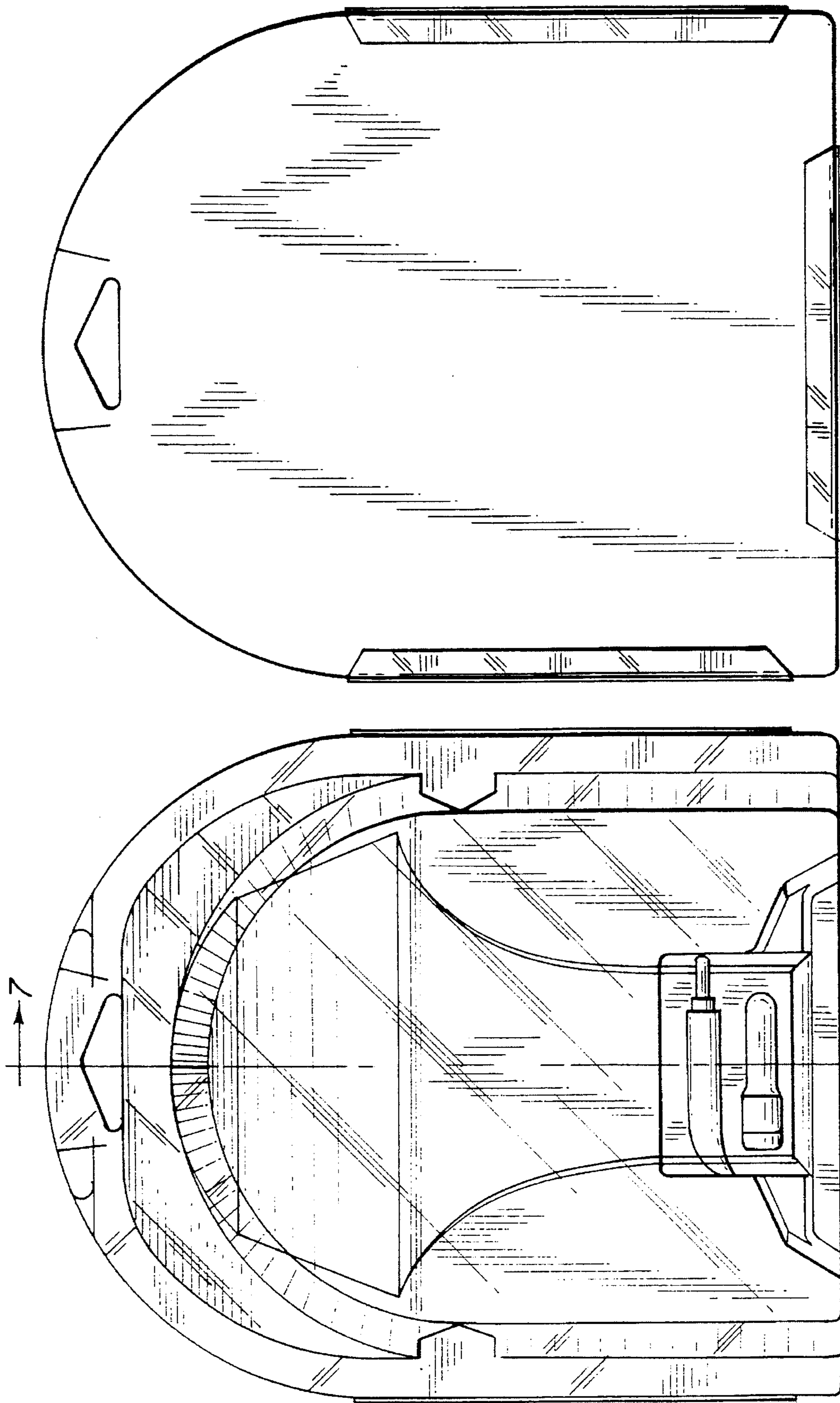


FIG. 3

FIG. 2

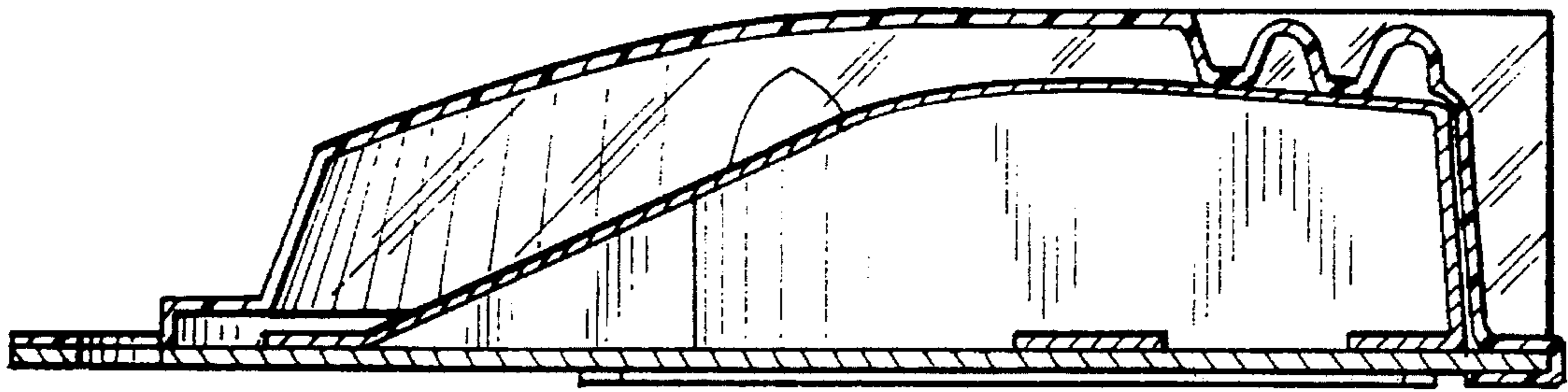


FIG. 7

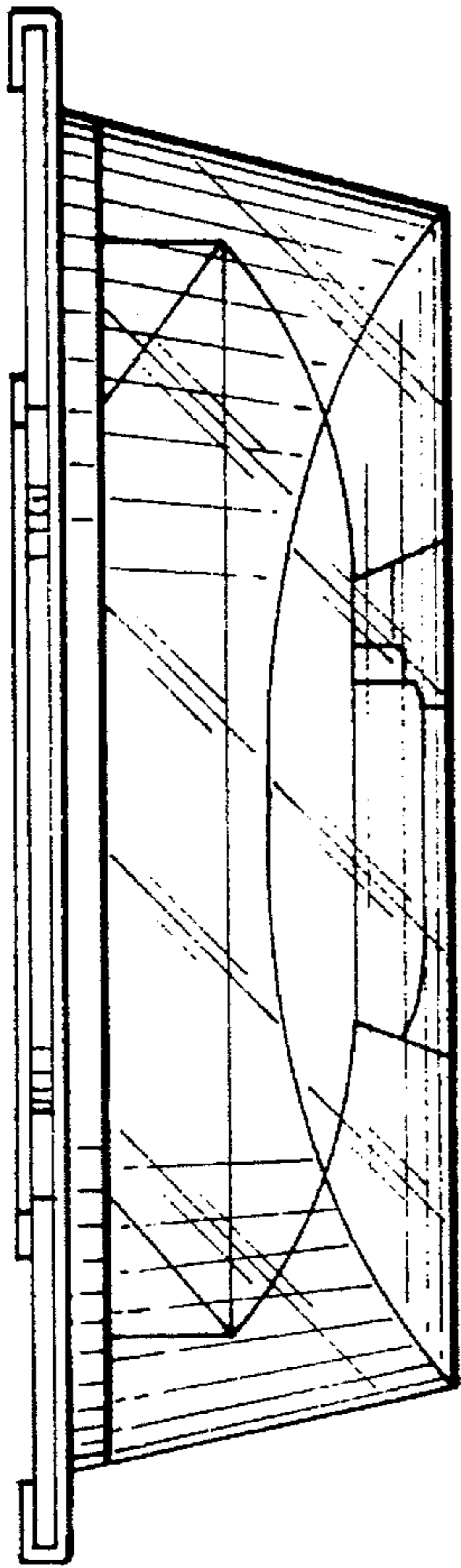


FIG. 5

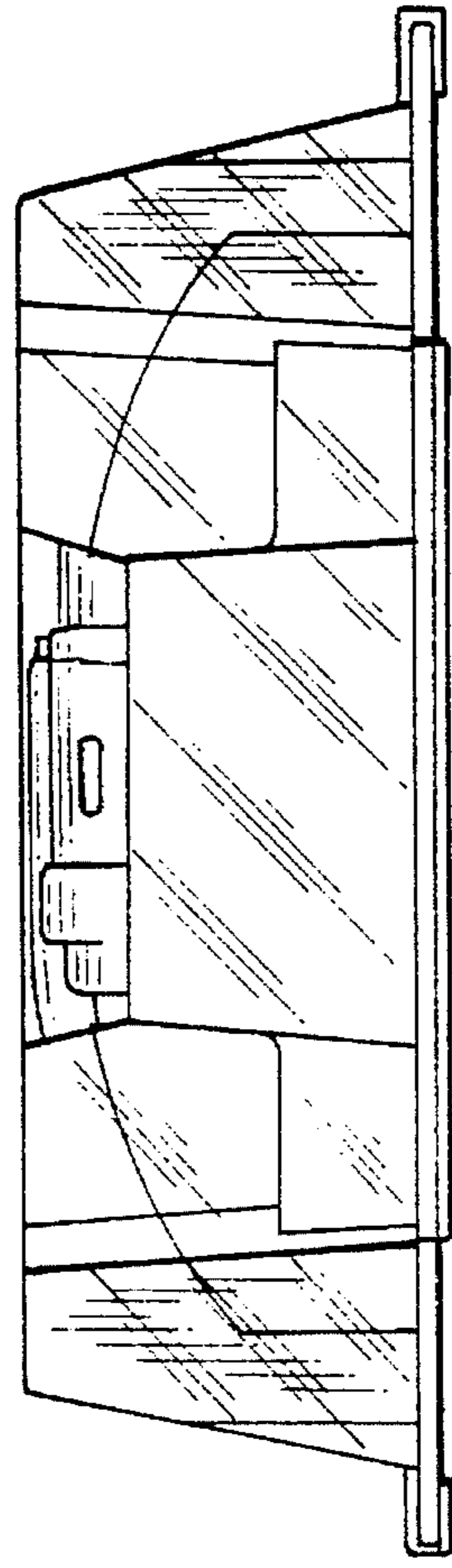


FIG. 6

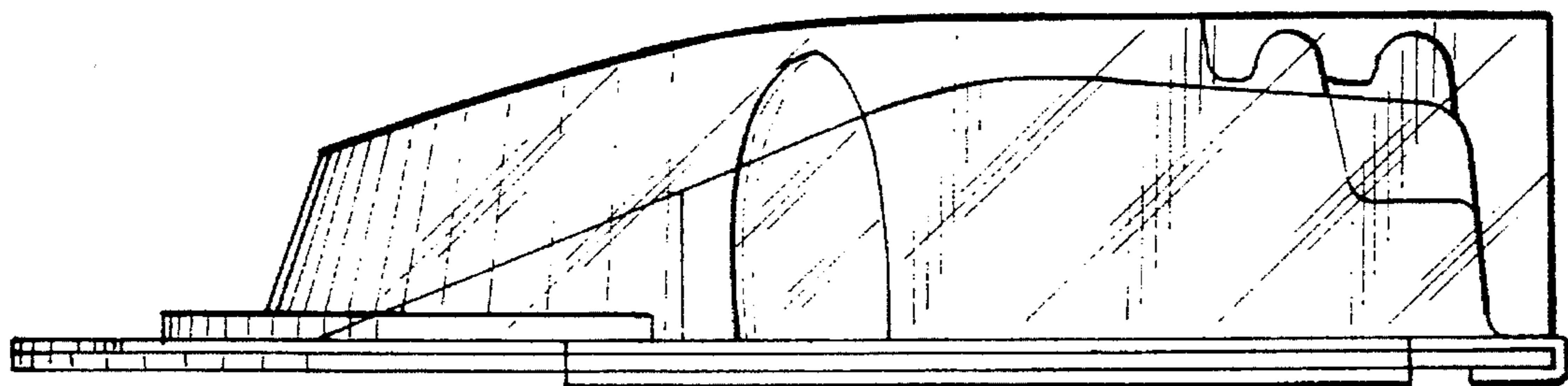


FIG. 4



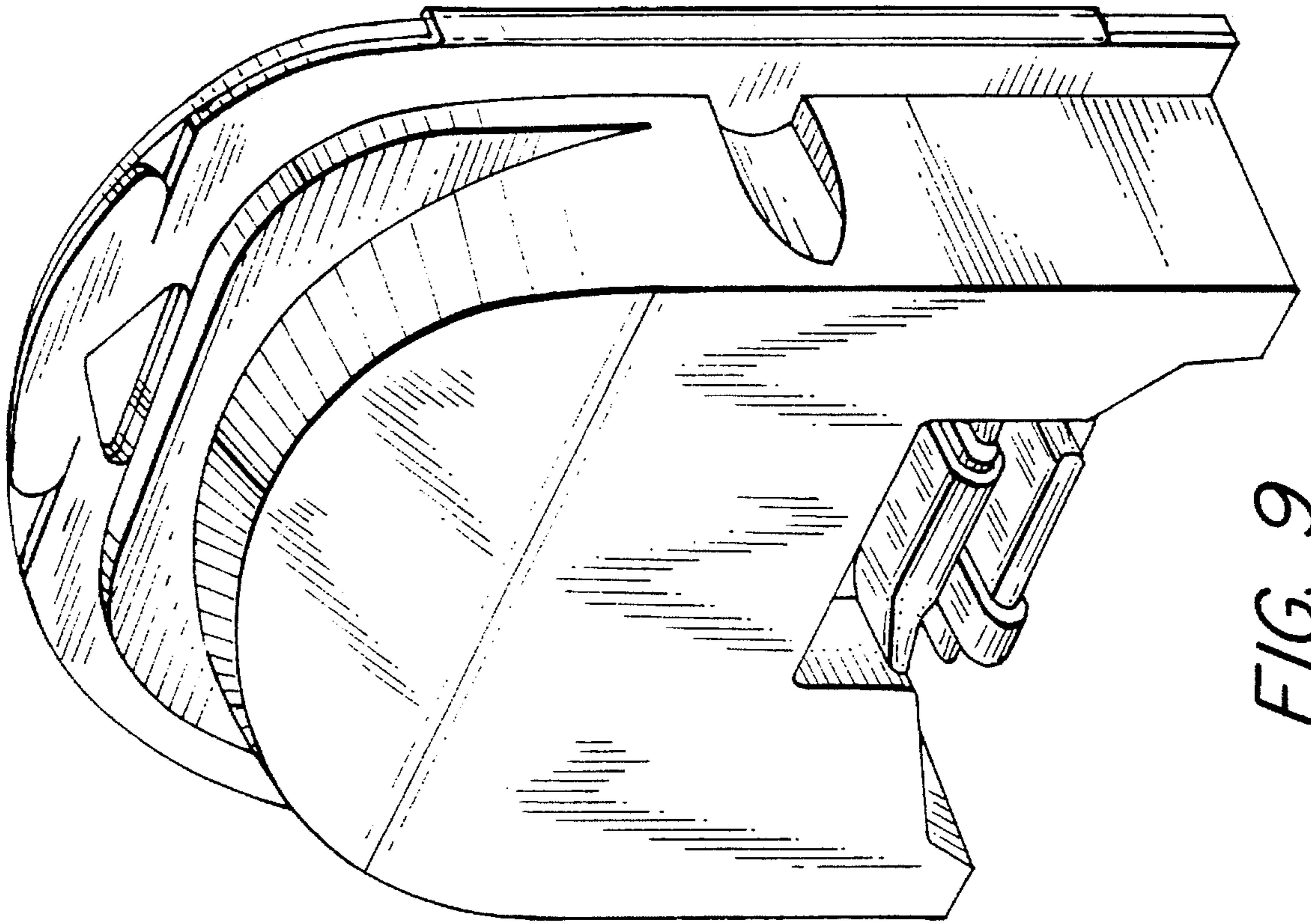


FIG. 9

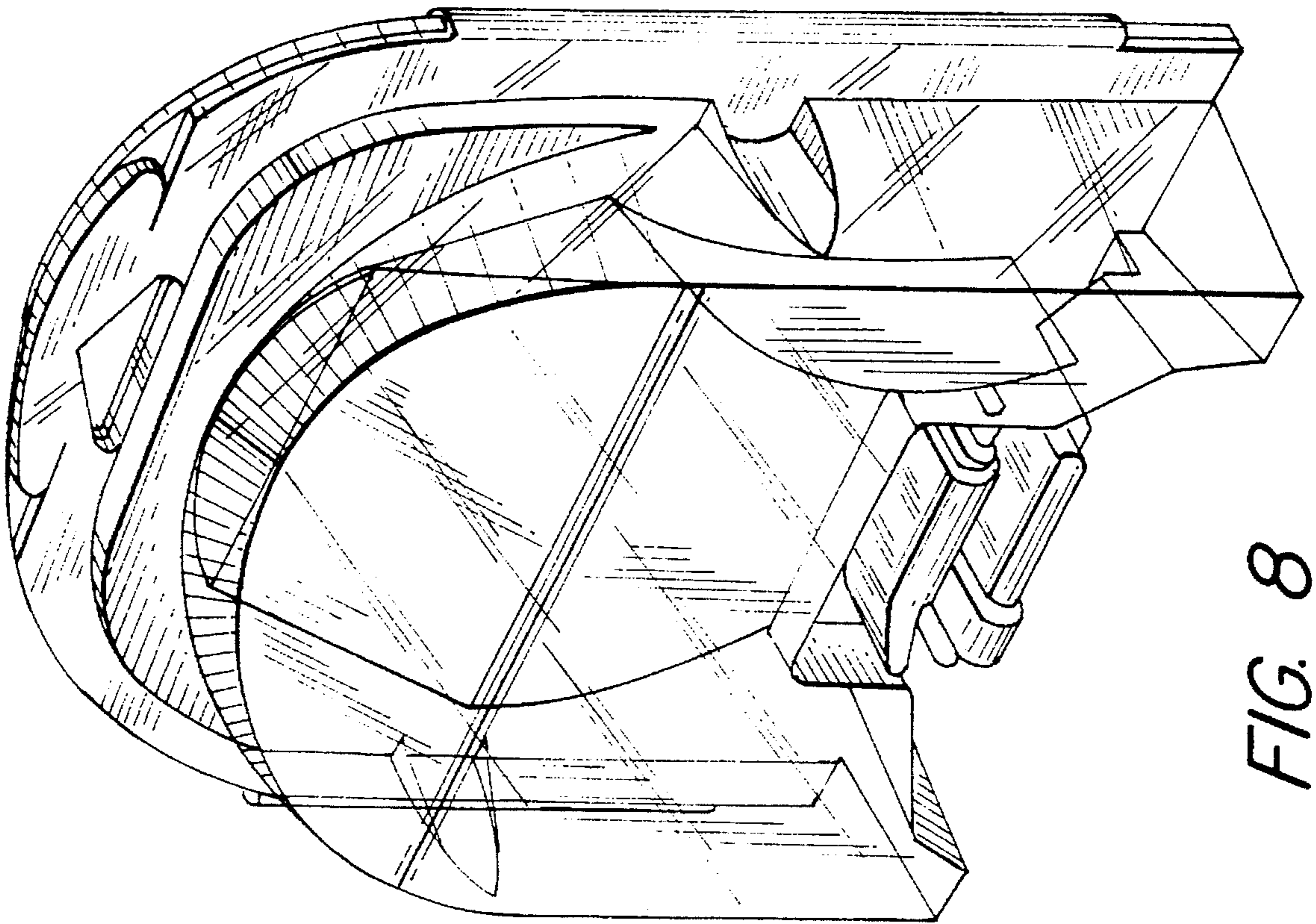


FIG. 8

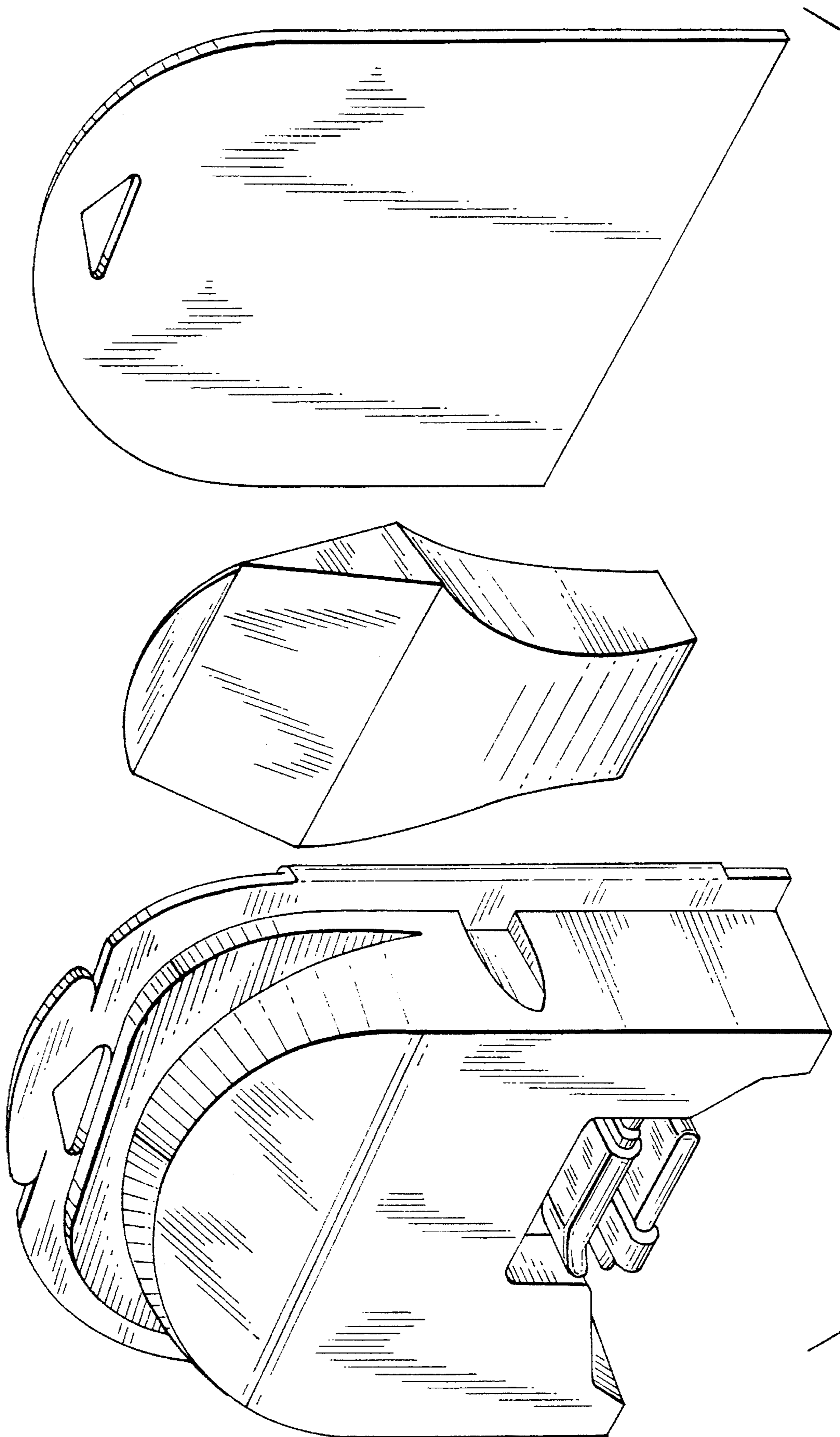


FIG. 10