



US00D365018S

United States Patent [19]

[11] Patent Number: **Des. 365,018**

Ellis et al.

[45] Date of Patent: ****Dec. 12, 1995**

[54] **CORD CLASP**

[76] Inventors: **Gwendolyn G. Ellis; Robert W. Arrendiell**, both of 280 Sugarberry Cir., Houston, Tex. 77024

[**] Term: **14 Years**

[21] Appl. No.: **26,407**

[22] Filed: **Jul. 27, 1994**

[52] U.S. Cl. **D8/395**

[58] Field of Search D8/395, 394, 396, D8/373, 380, 382; D32/64; D19/86, 65; 24/510, 336, 339

3,597,813	8/1971	Takahashi et al. .
3,999,259	12/1976	Paajanen .
4,175,306	11/1979	Bigelow et al. .
4,839,947	6/1989	Cohen et al. .
5,052,086	10/1991	Nasuno .
5,079,808	1/1992	Brown .
5,153,969	10/1992	Arrendiell et al. .

FOREIGN PATENT DOCUMENTS

56040	3/1939	Denmark .
34603	10/1965	Finland .
16600	2/1913	France .
9305	of 1898	United Kingdom .

Primary Examiner—Lucy Lieberman
Attorney, Agent, or Firm—Vaden, Eickenroht, Thompson & Feather

[56] References Cited

U.S. PATENT DOCUMENTS

289,153	11/1883	Smith	24/510
309,258	12/1884	Shelby	24/510
348,697	9/1886	Shenfield et al.	24/510 X
363,533	5/1887	Munger .	
537,955	4/1895	Adams .	
1,357,151	10/1920	Dalhaus .	
1,464,374	8/1923	Vestine .	
1,474,102	11/1923	Ashmore .	
1,844,774	2/1932	Locki .	
1,891,494	12/1932	Baltzley .	
2,667,678	2/1954	Hargrave et al.	24/510 X
3,091,828	6/1963	Soltis .	
3,111,129	11/1963	Dekel .	
3,203,061	8/1965	Thomas	24/339 X

[57] CLAIM

The ornamental design for a cord clasp, as shown and described.

DESCRIPTION

FIG. 1 is a right side elevation of a cord clasp showing our new design, the left side elevation is a mirror image thereto; FIG. 2 is a top view; FIG. 3 is a front elevational view; FIG. 4 is a bottom view; and, FIG. 5 is a rear elevational view.

1 Claim, 1 Drawing Sheet

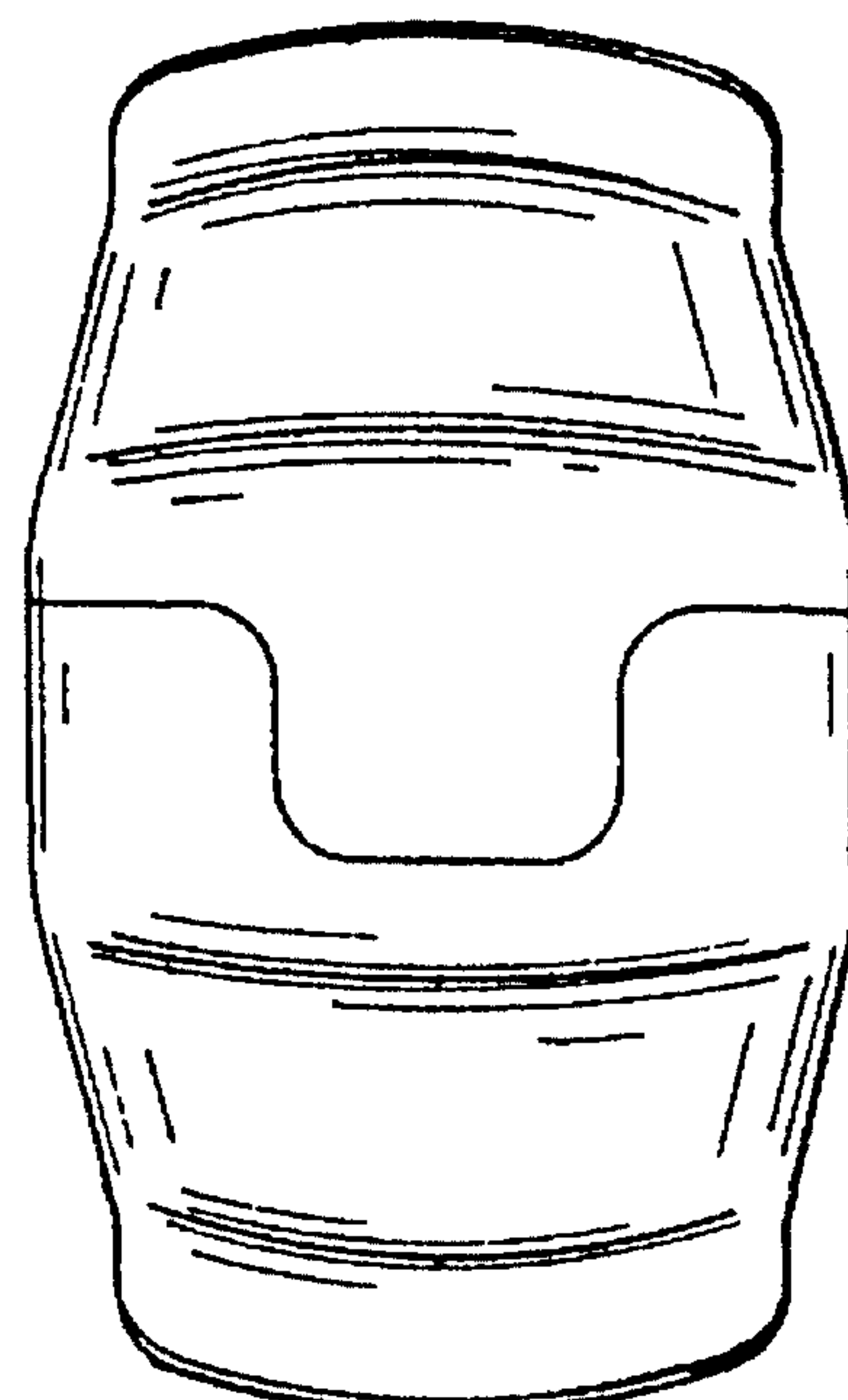
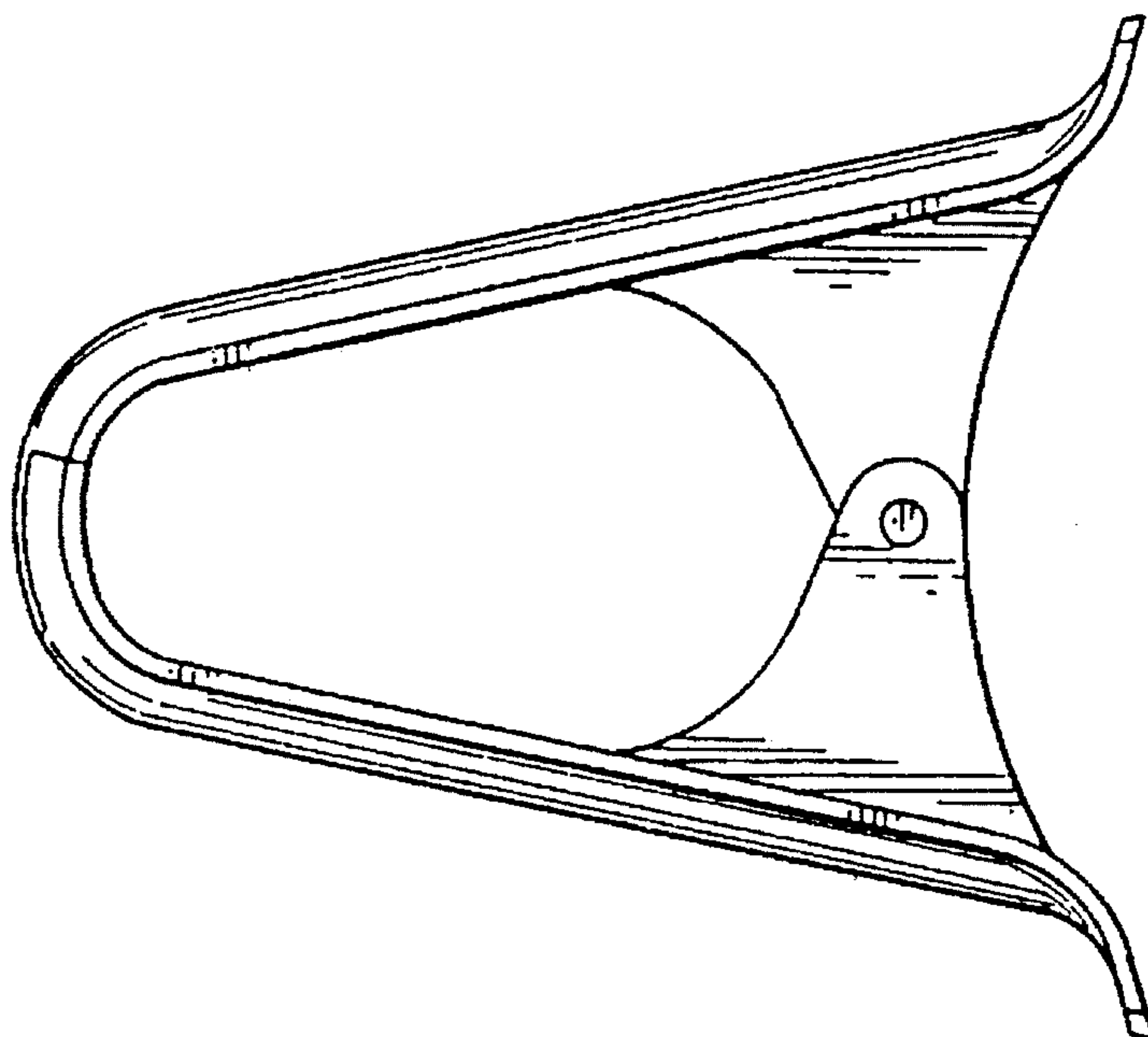


FIG. 2

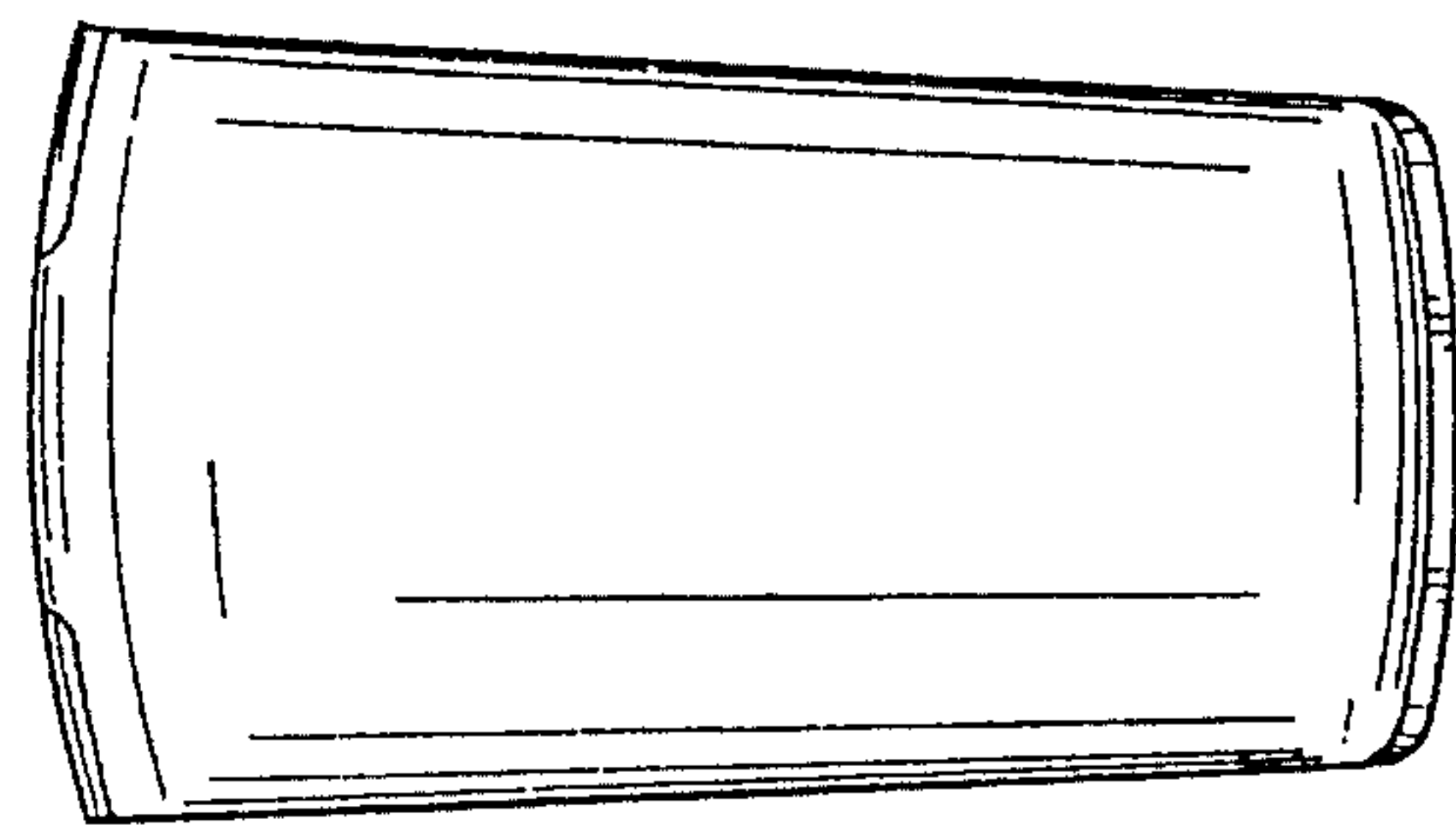


FIG. 3

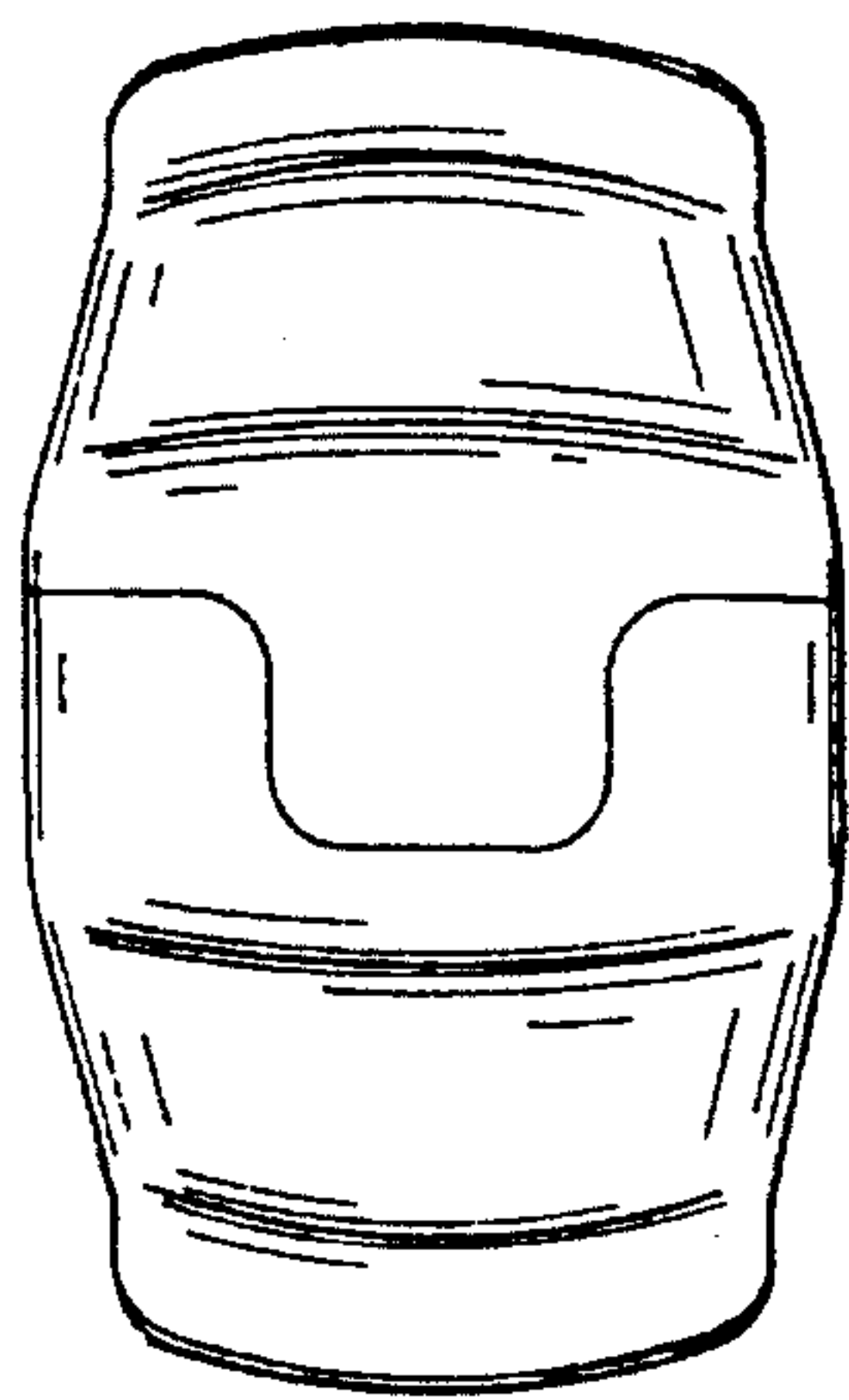


FIG. 1

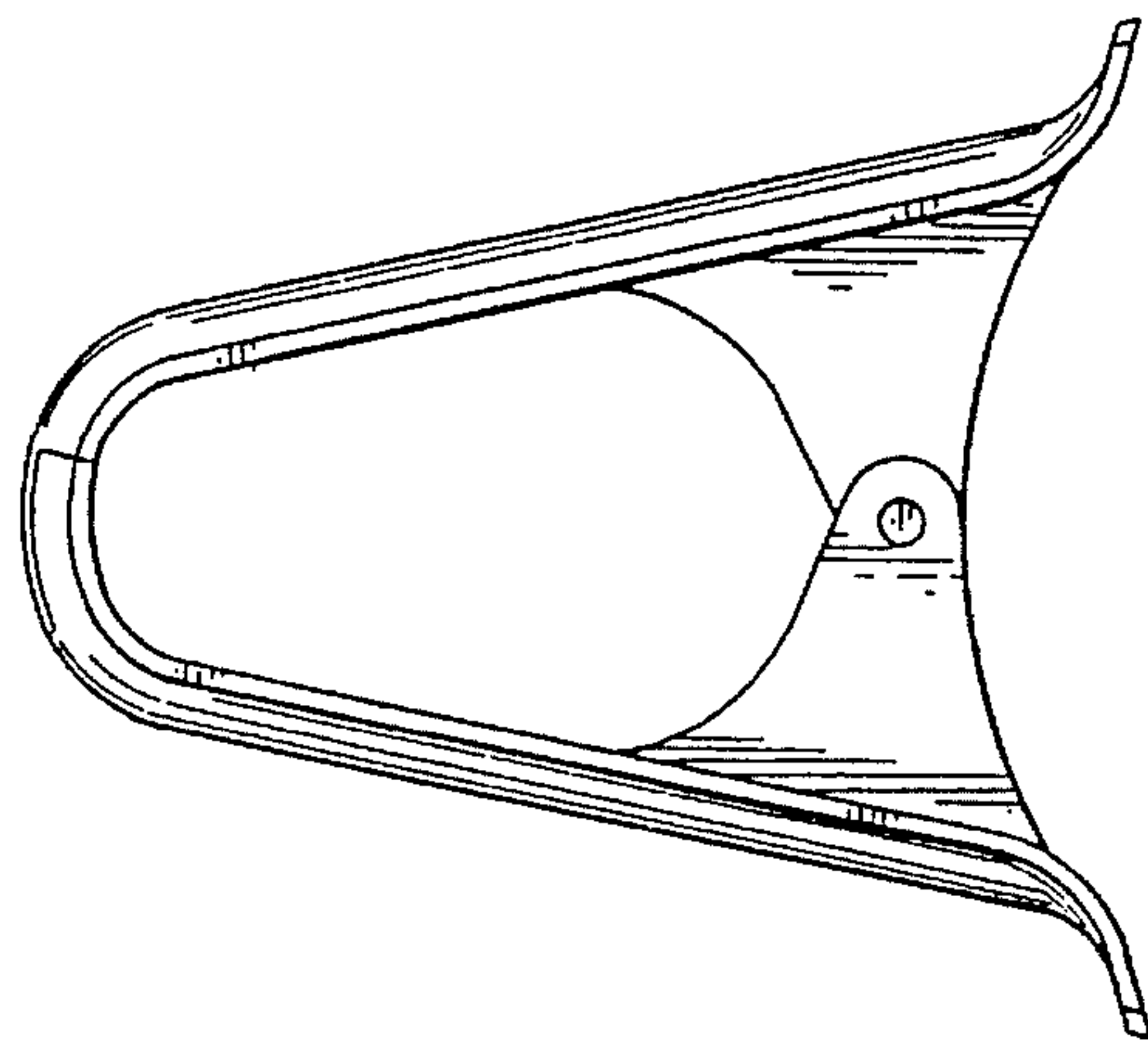


FIG. 5

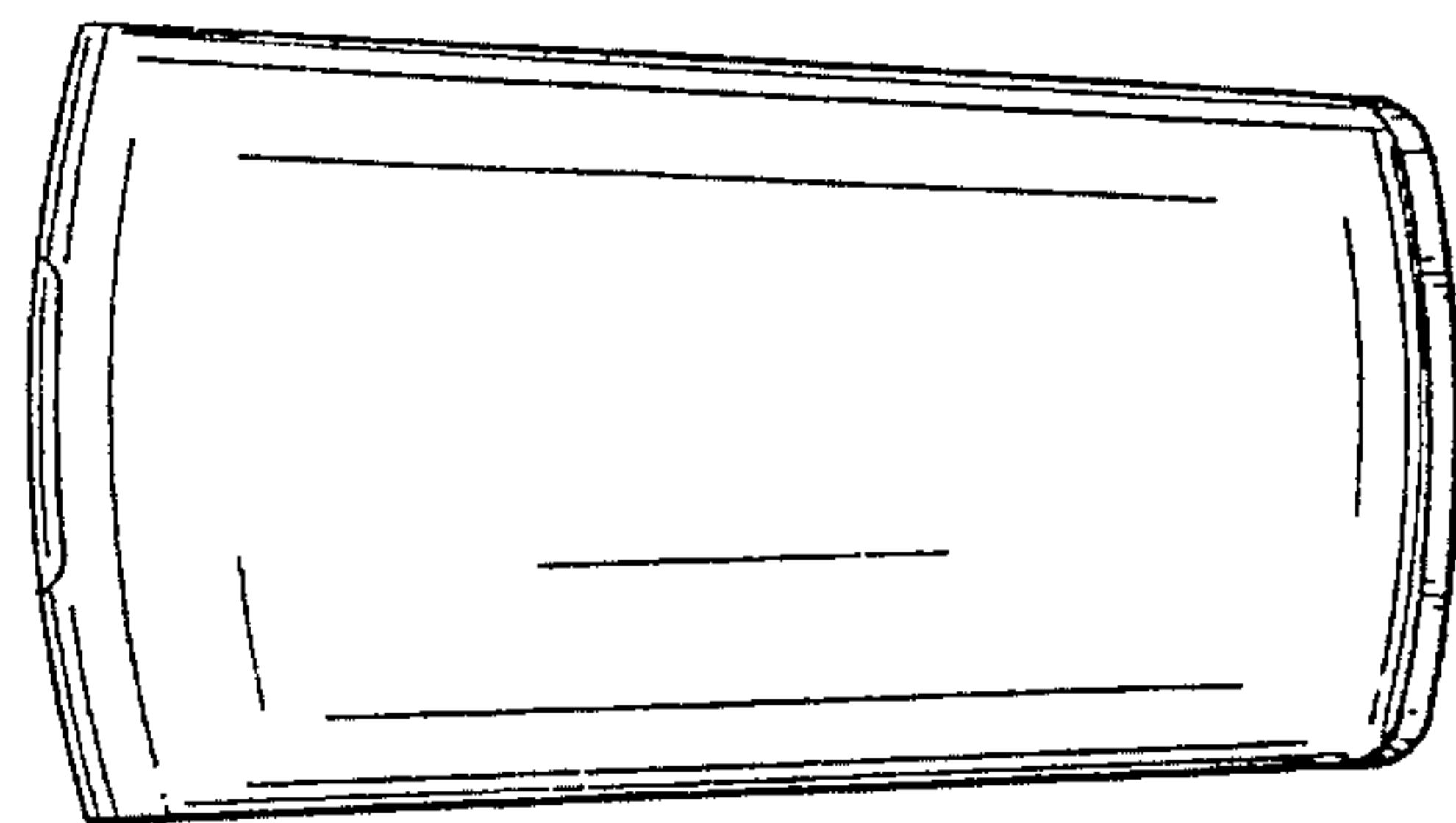
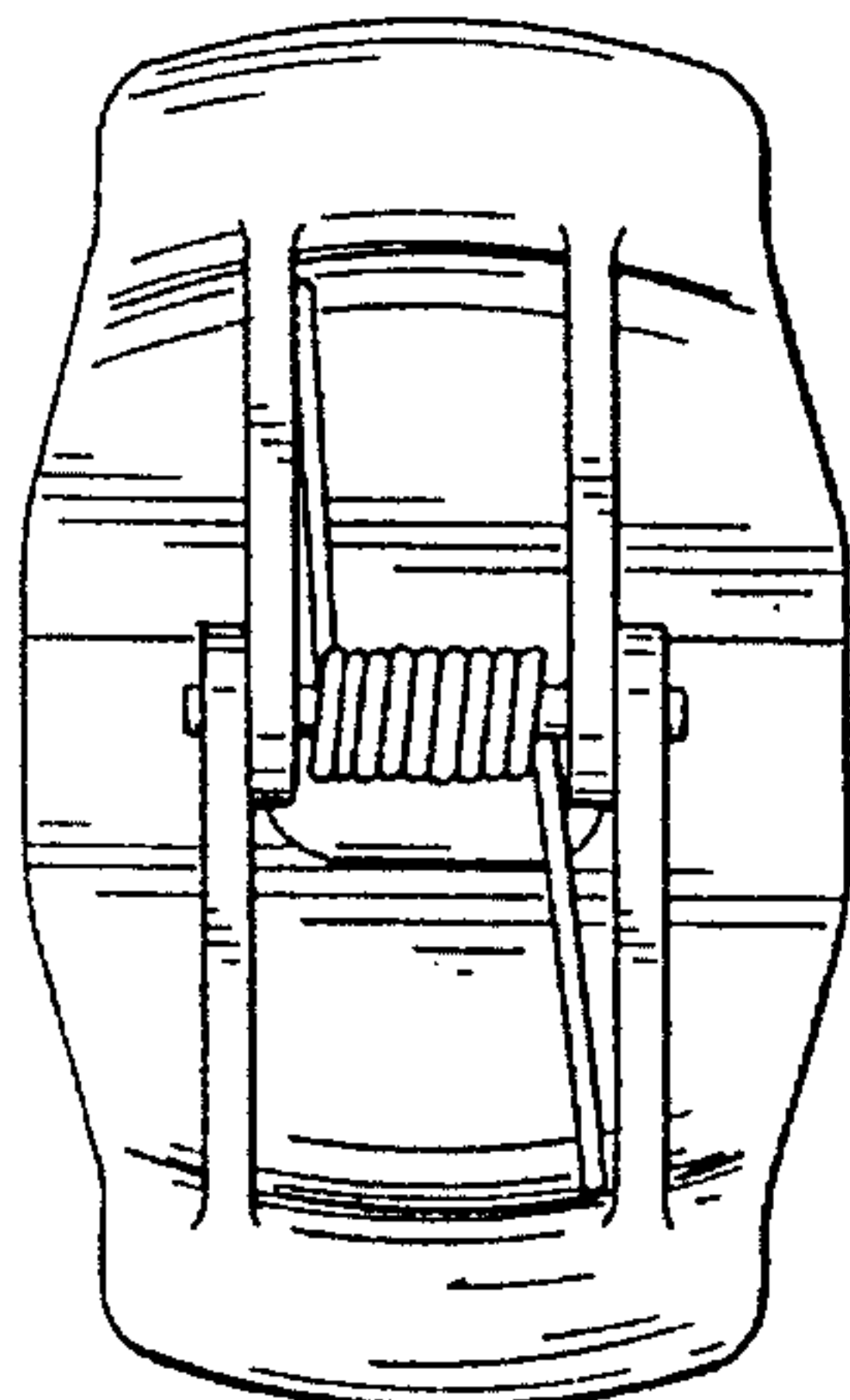


FIG. 4