



US00D365017S

# United States Patent [19] Röhrig

[11] Patent Number: **Des. 365,017**

[45] Date of Patent: **\*\*Dec. 12, 1995**

[54] **CLIP**  
[75] Inventor: **Peter Röhrig**, Vienna, Austria  
[73] Assignee: **MAM Babyartikel Gesellschaft m.b.h.**, Vienna, Austria  
[\*\*] Term: **14 Years**

1,589,228 6/1926 Robb ..... 24/532  
3,349,771 10/1967 Baer ..... 24/545  
3,529,328 9/1970 Davison ..... 24/303  
4,773,132 9/1988 Eckels ..... 24/557 X

*Primary Examiner*—Prabhakar G. Deshmukh  
*Assistant Examiner*—Paula Mortimer  
*Attorney, Agent, or Firm*—Abelman, Frayne & Schwab

[21] Appl. No.: **27,272**  
[22] Filed: **Aug. 17, 1994**

[57] **CLAIM**

The ornamental design for a clip, as shown and described.

[30] **Foreign Application Priority Data**  
Feb. 17, 1994 [AT] Austria ..... MU574/94  
[52] **U.S. Cl.** ..... **D8/394**  
[58] **Field of Search** ..... D8/394, 395; D16/65;  
D32/63; 24/511, 517, 521, 522, 532, 542,  
543, 557, 545, 546

**DESCRIPTION**

FIG. 1 is an enlarged side perspective view of a clip in an open position showing my new design;  
FIG. 2 is a top plan view thereof;  
FIG. 3 is a bottom plan view thereof;  
FIG. 4 is a right end elevational view thereof;  
FIG. 5 is a left end elevational view thereof;  
FIG. 6 is a side elevational view thereof, the opposite side is a mirror image; and,  
FIG. 7 is a reduced bottom perspective view in a closed position.

[56] **References Cited**  
**U.S. PATENT DOCUMENTS**  
D. 302,242 7/1989 Belash ..... D8/395  
D. 328,668 8/1992 Legrand ..... D8/395 X

**1 Claim, 3 Drawing Sheets**

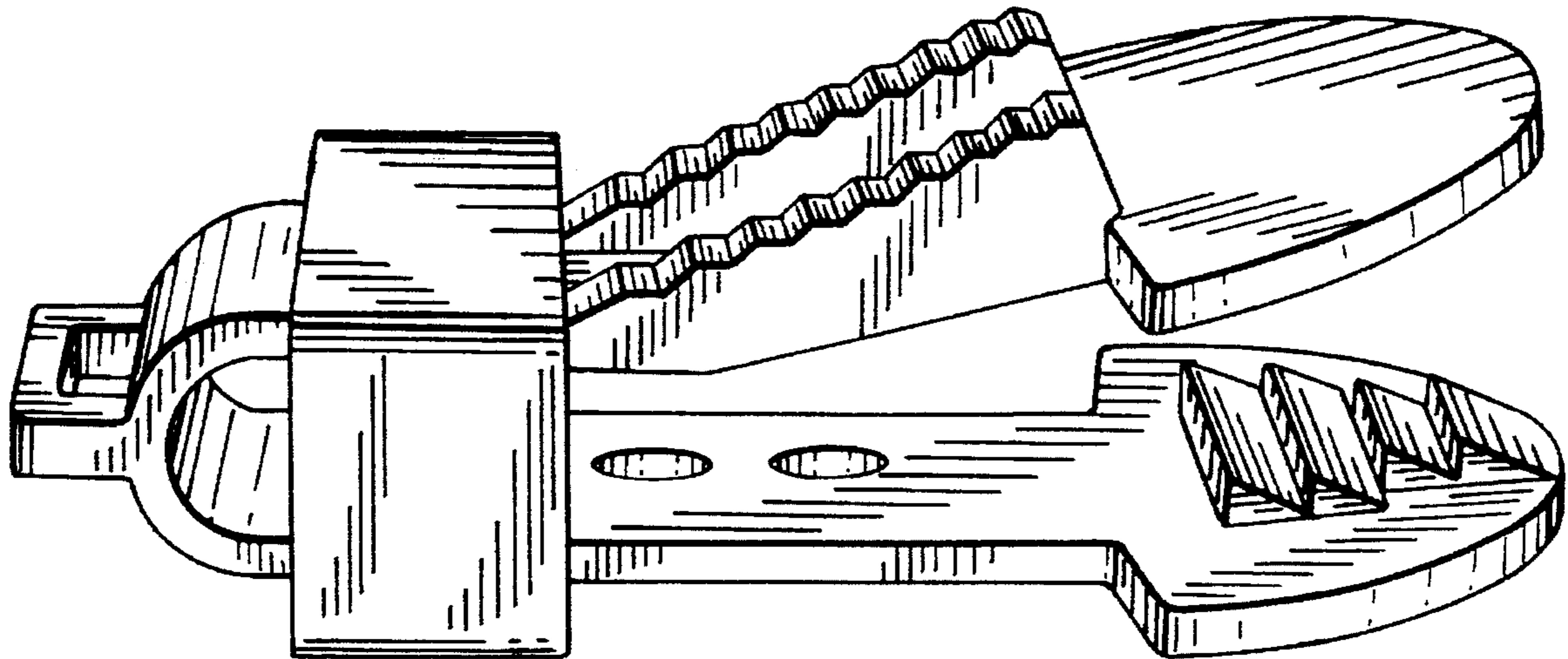


FIG. 1

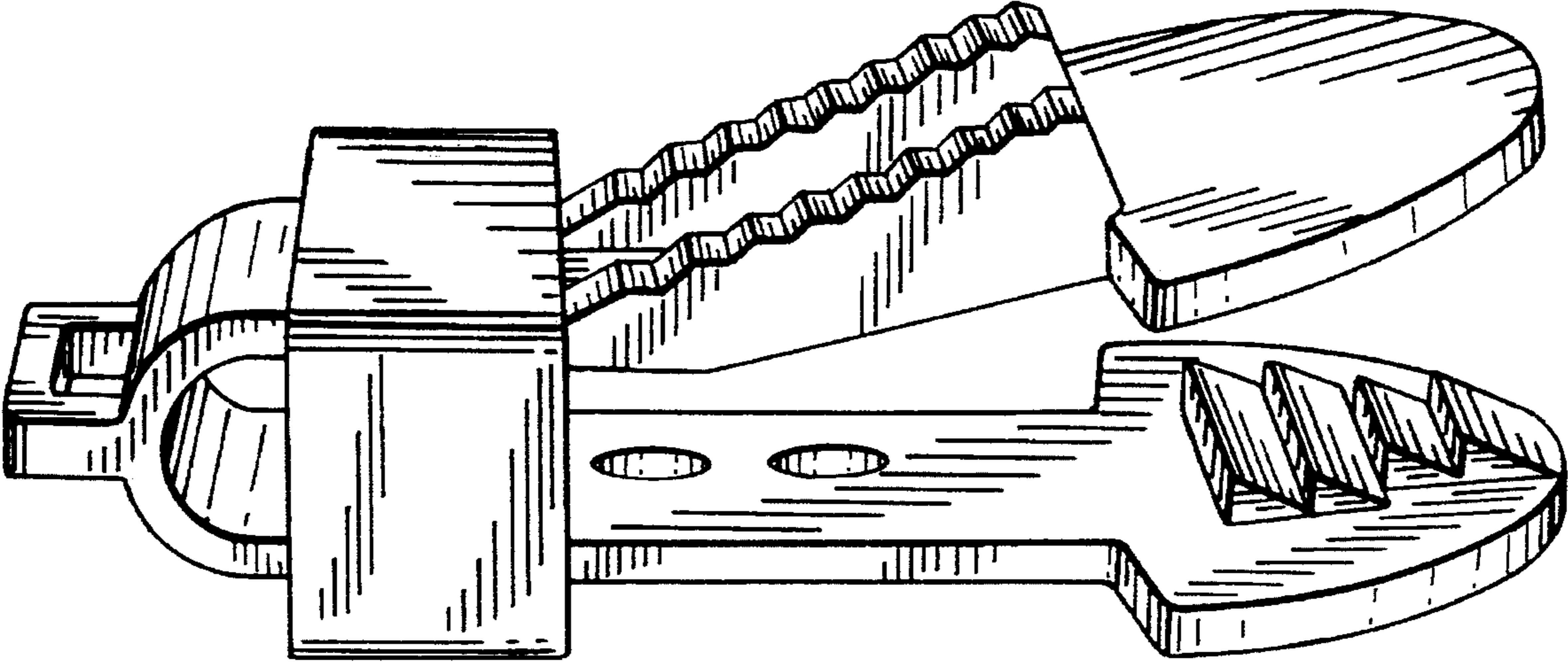
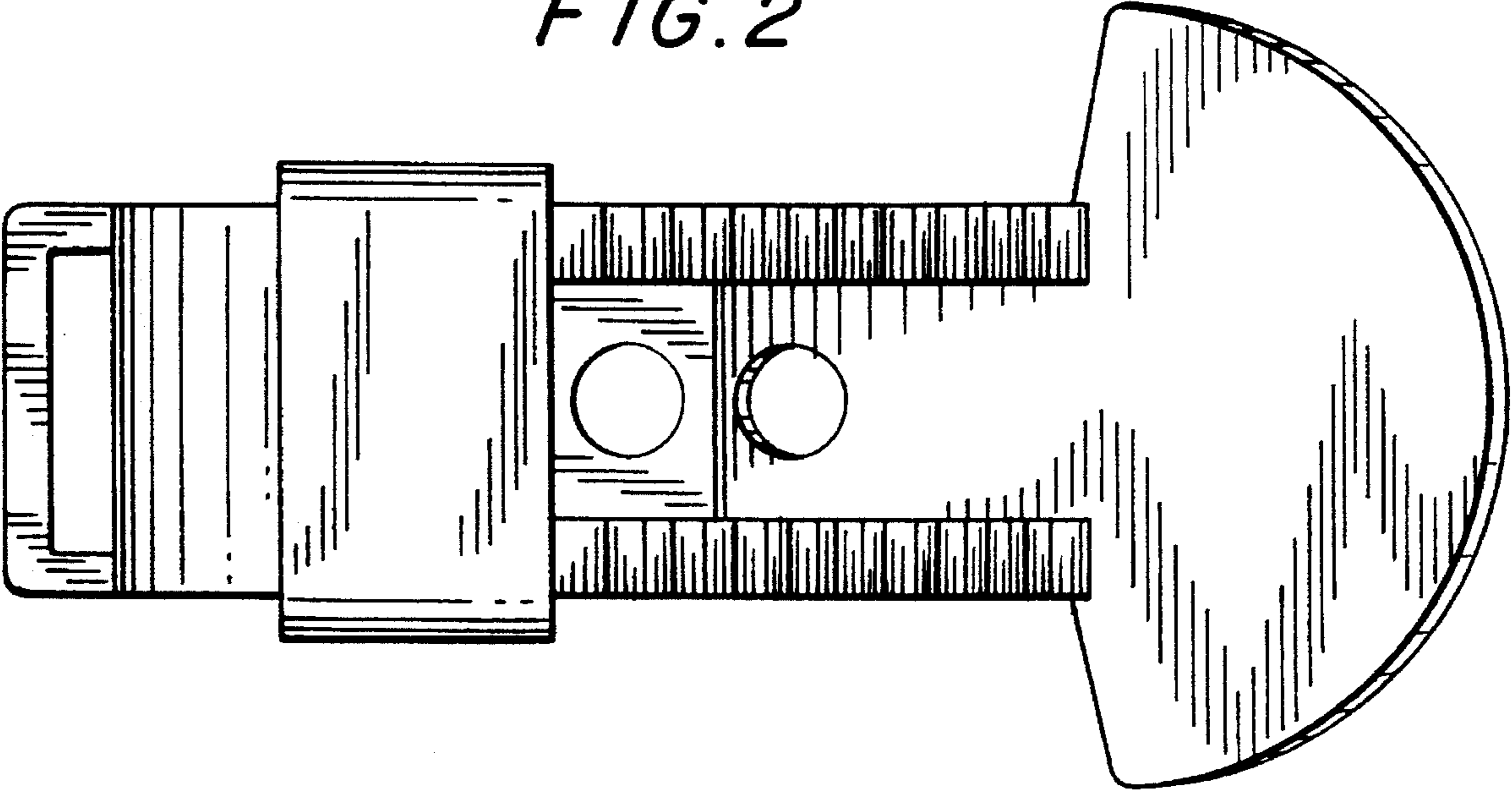
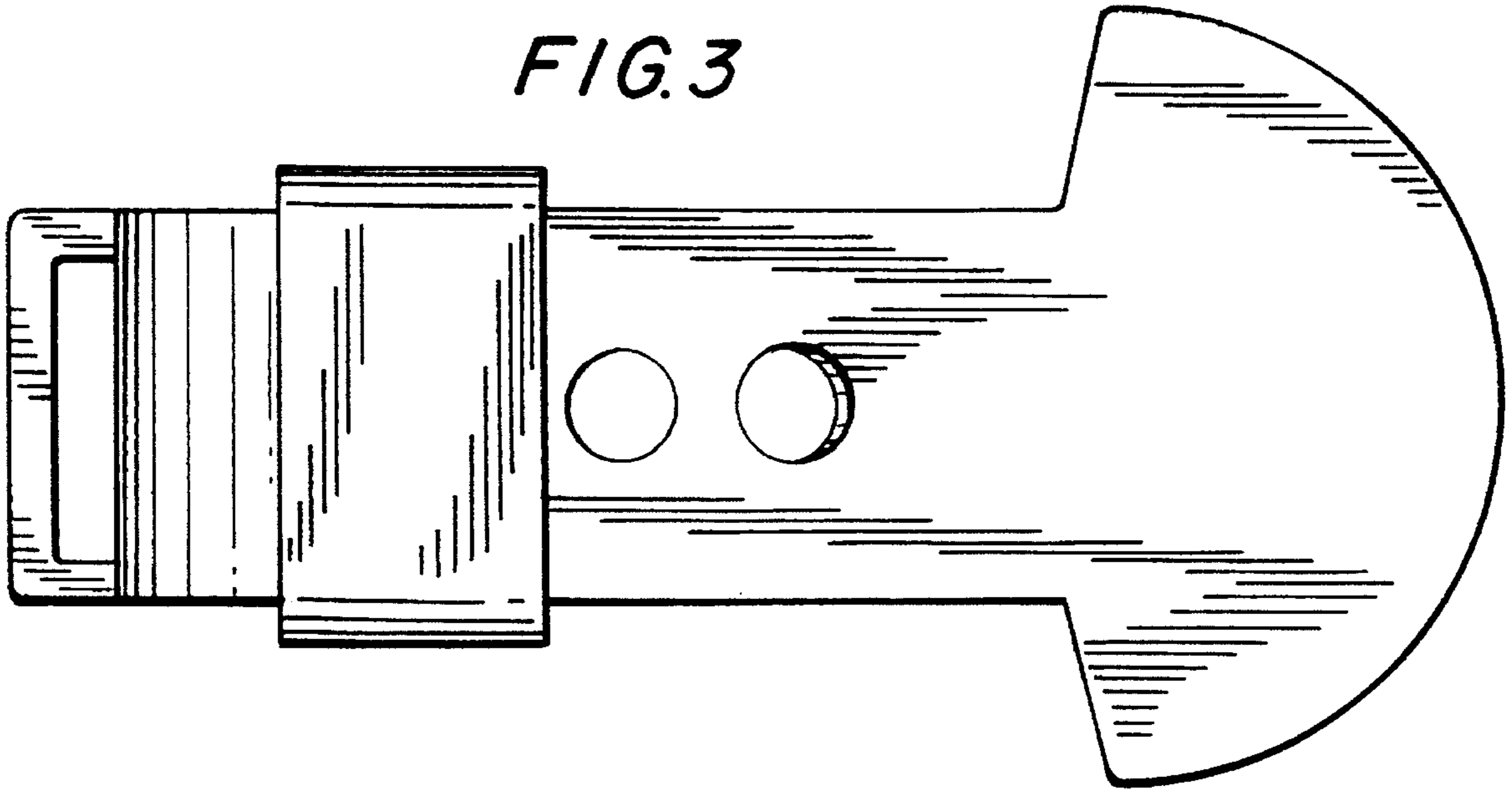


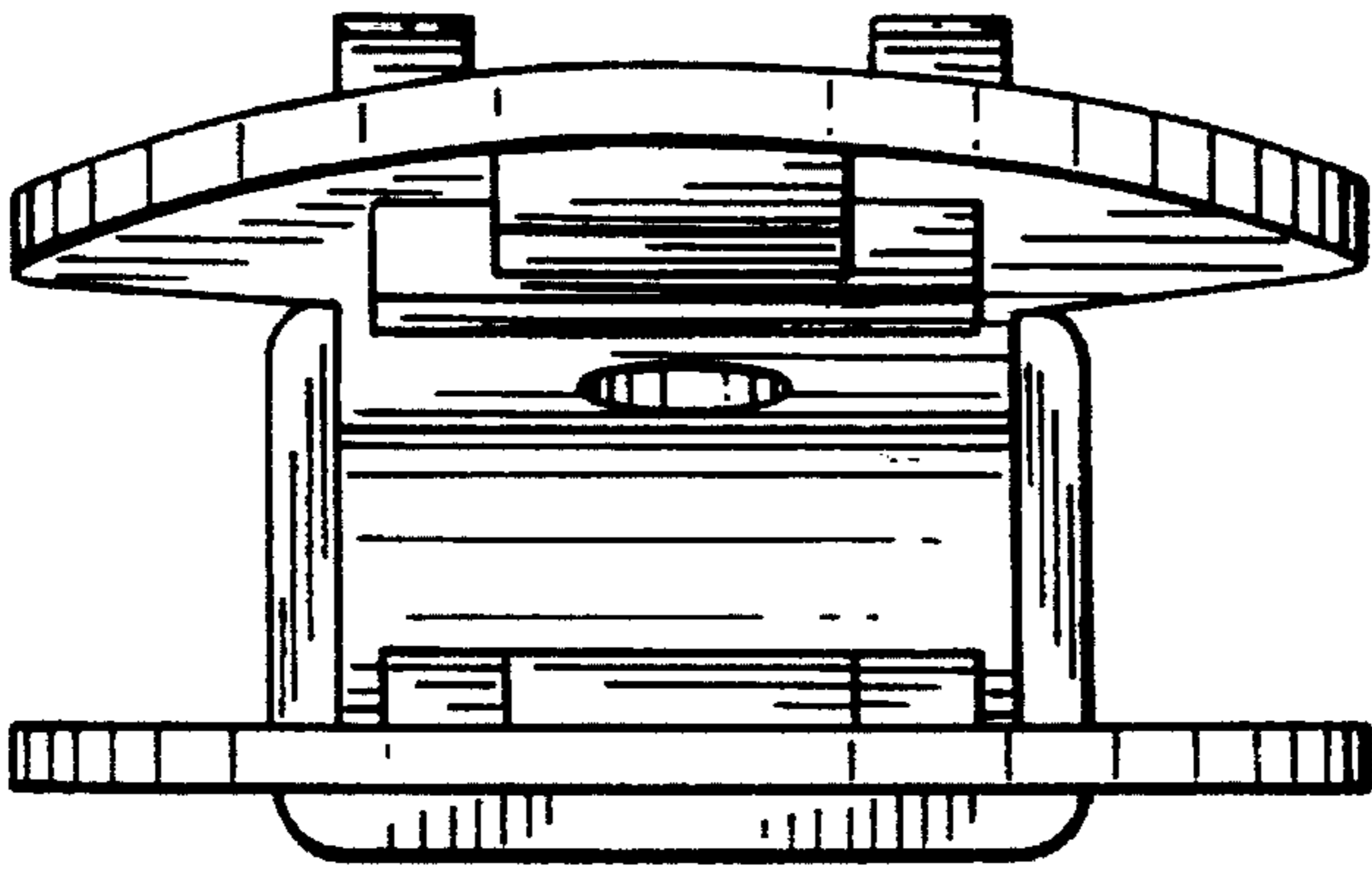
FIG. 2



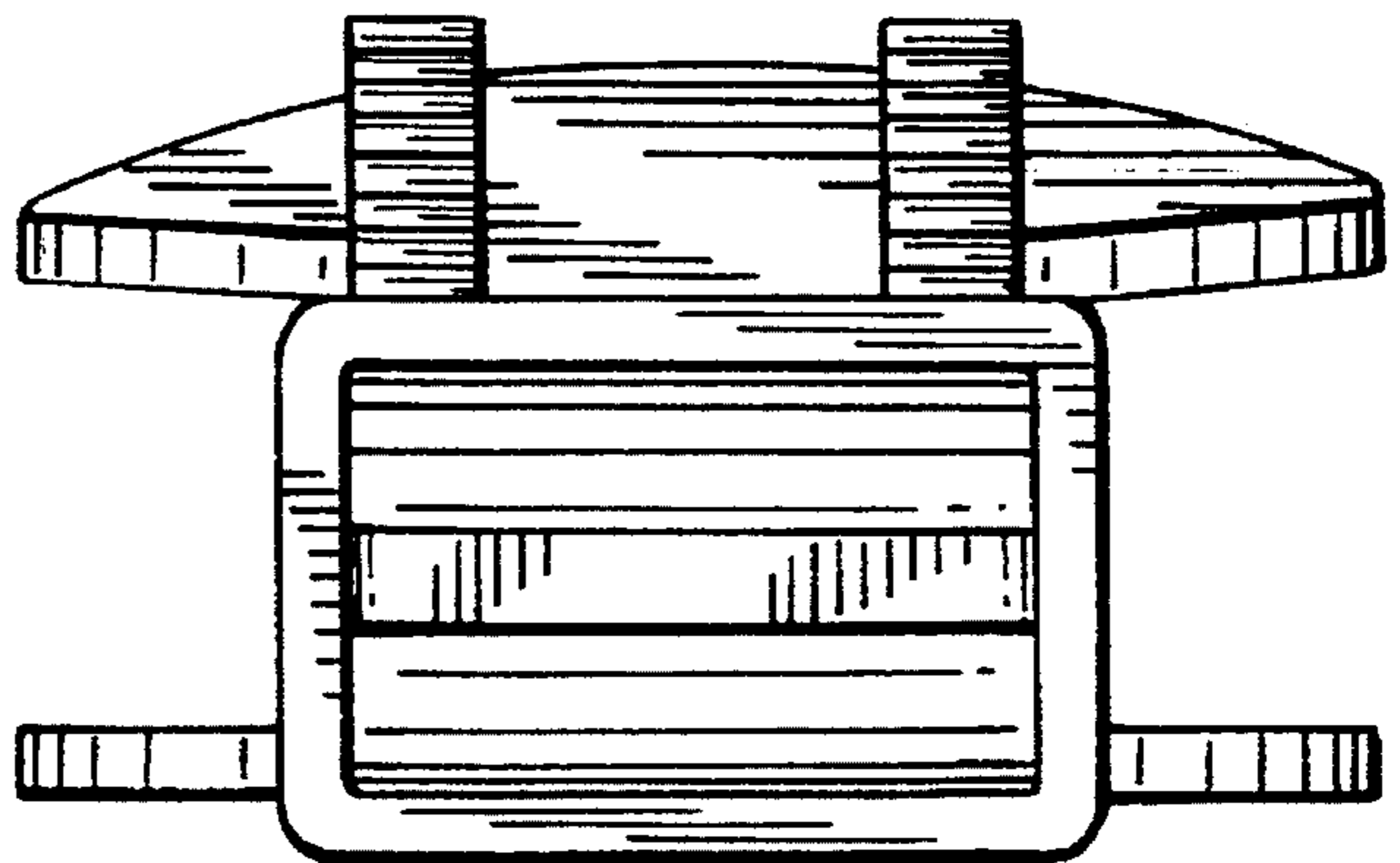
*FIG. 3*



*FIG. 4*



*FIG. 5*



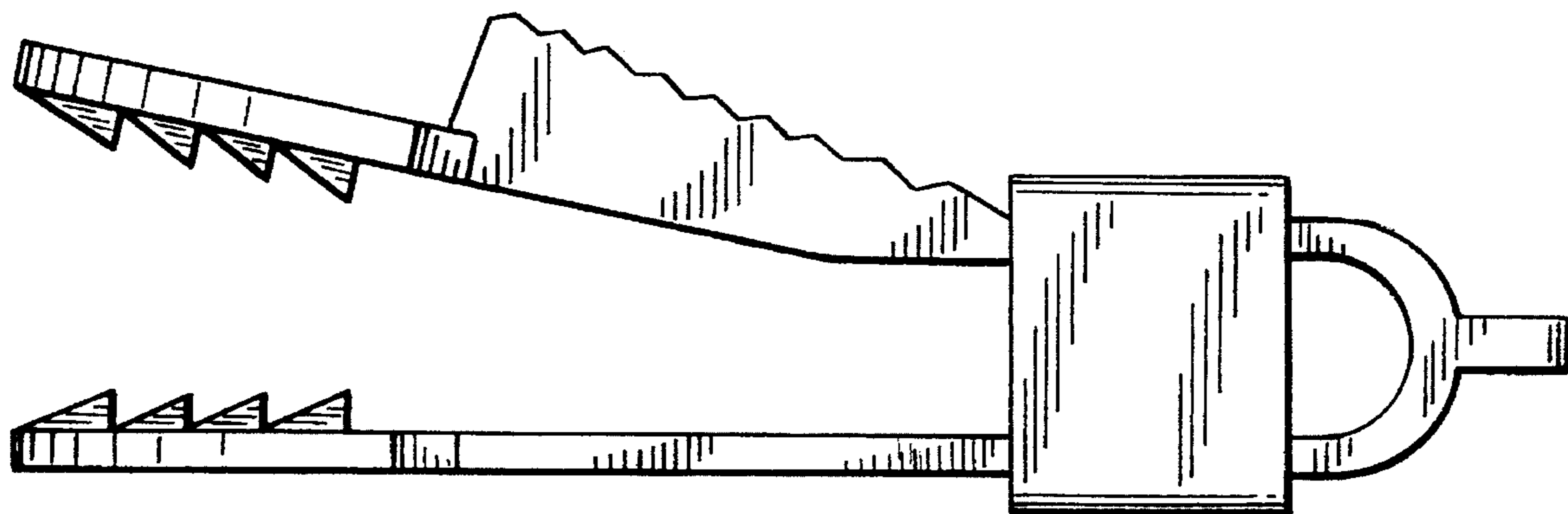


FIG. 6

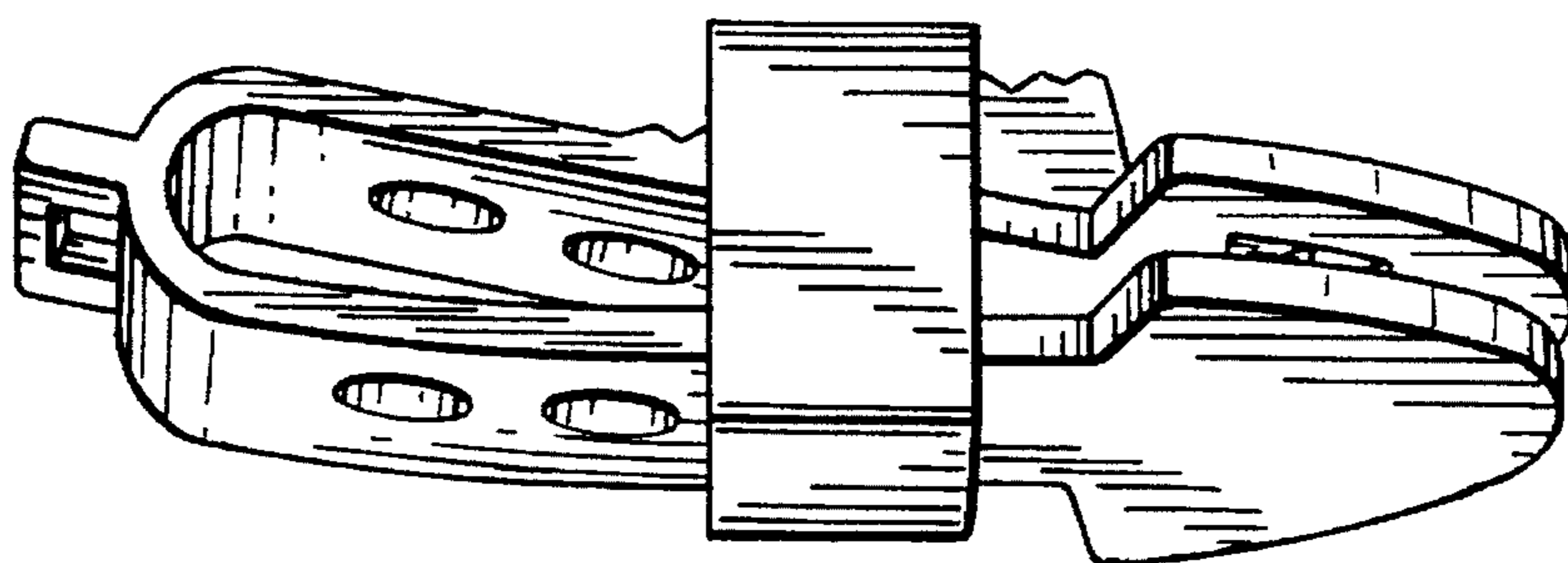


FIG. 7