



US00D365014S

United States Patent [19]

Fennessy et al.

[11] Patent Number: **Des. 365,014**

[45] Date of Patent: ****Dec. 12, 1995**

[54] CLIP

D. 319,575	9/1991	Young	D26/138 X
2,599,303	6/1952	Ward	362/396 X
5,249,108	9/1993	Gary	362/396 X

[75] Inventors: **Charles W. Fennessy**, Lemont, Ill.;
Ivan Liu; **David A. Parshad**, both of
Ontario, Canada; **Frank Lang**,
Warrenville, Ill.

Primary Examiner—A. Hugo Word
Assistant Examiner—Holly Baynham
Attorney, Agent, or Firm—Kirschstein, et al.

[73] Assignee: **Noma International Inc.**, Forest Park,
Ill.

[57] CLAIM

[**] Term: **14 Years**

The ornamental design for a clip, as shown and described.

[21] Appl. No.: **32,234**

DESCRIPTION

[22] Filed: **Dec. 15, 1994**

[52] U.S. Cl. **D8/371**; D26/138

[58] Field of Search D8/371, 383, 395;
D26/138; 248/205.5; 362/396

FIG. 1 is a front perspective view of a clip showing our new design;

FIG. 2 is a top plan view thereof;

FIG. 3 is a side elevational view thereof, the opposite side being a mirror image;

FIG. 4 is a front elevational view thereof;

FIG. 5 is a rear elevational view thereof; and,

FIG. 6 is a bottom plan view thereof.

[56] **References Cited**

U.S. PATENT DOCUMENTS

D. 29,407 9/1898 Goeltz D26/138 X

1 Claim, 2 Drawing Sheets

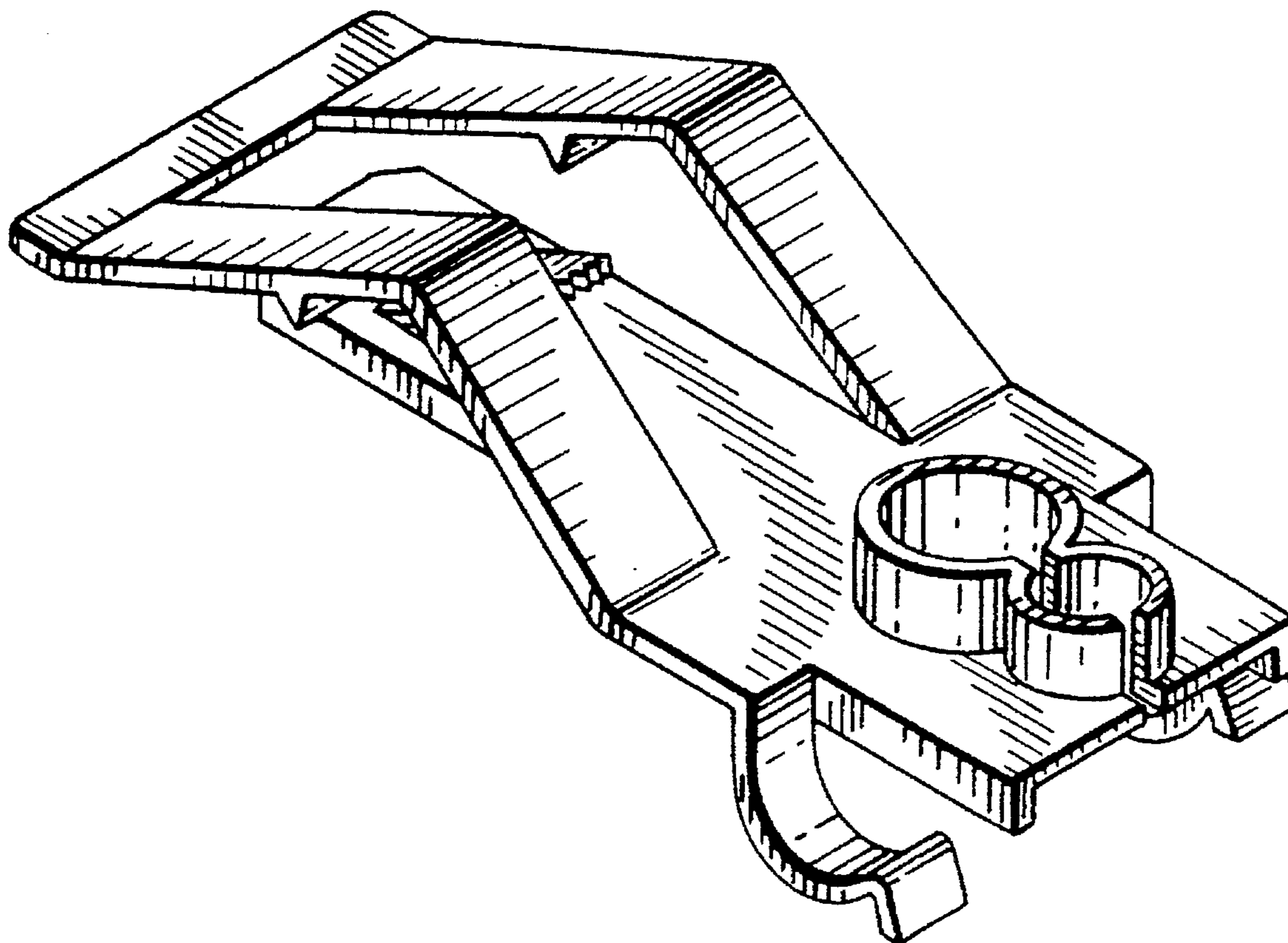


FIG. 1

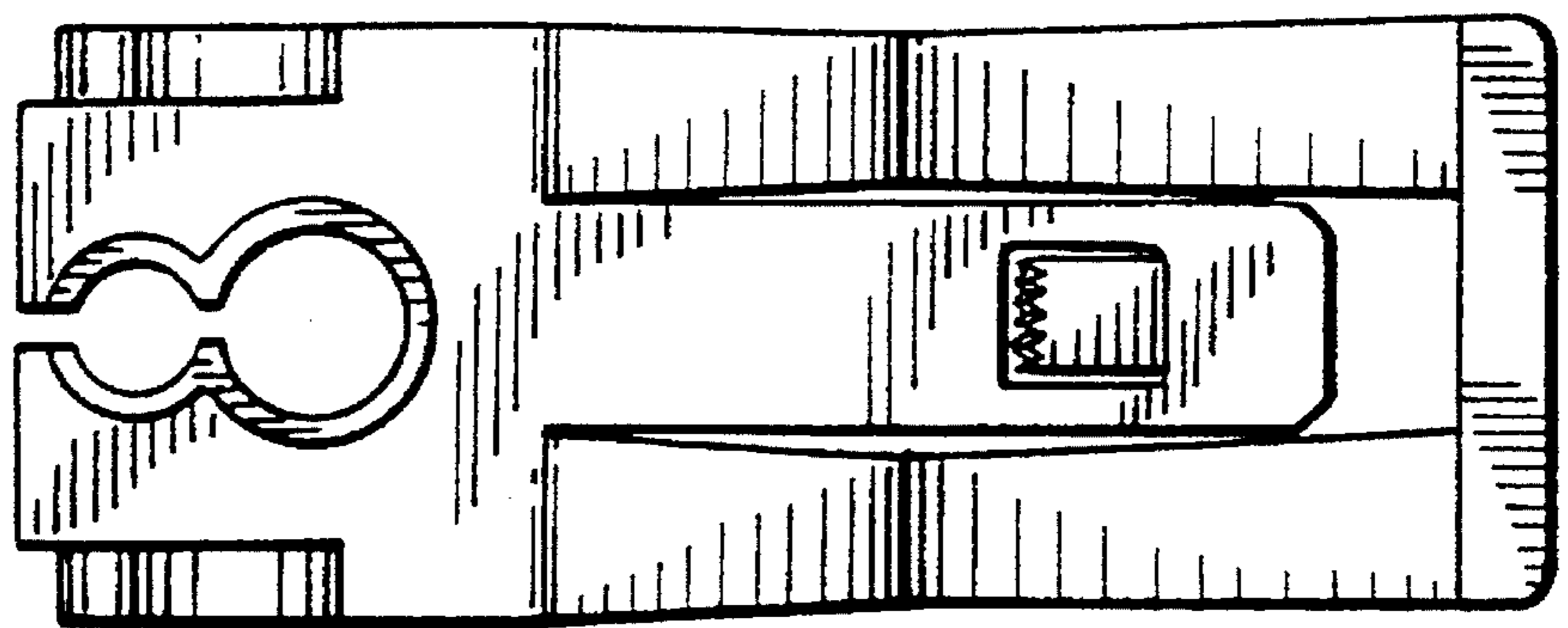
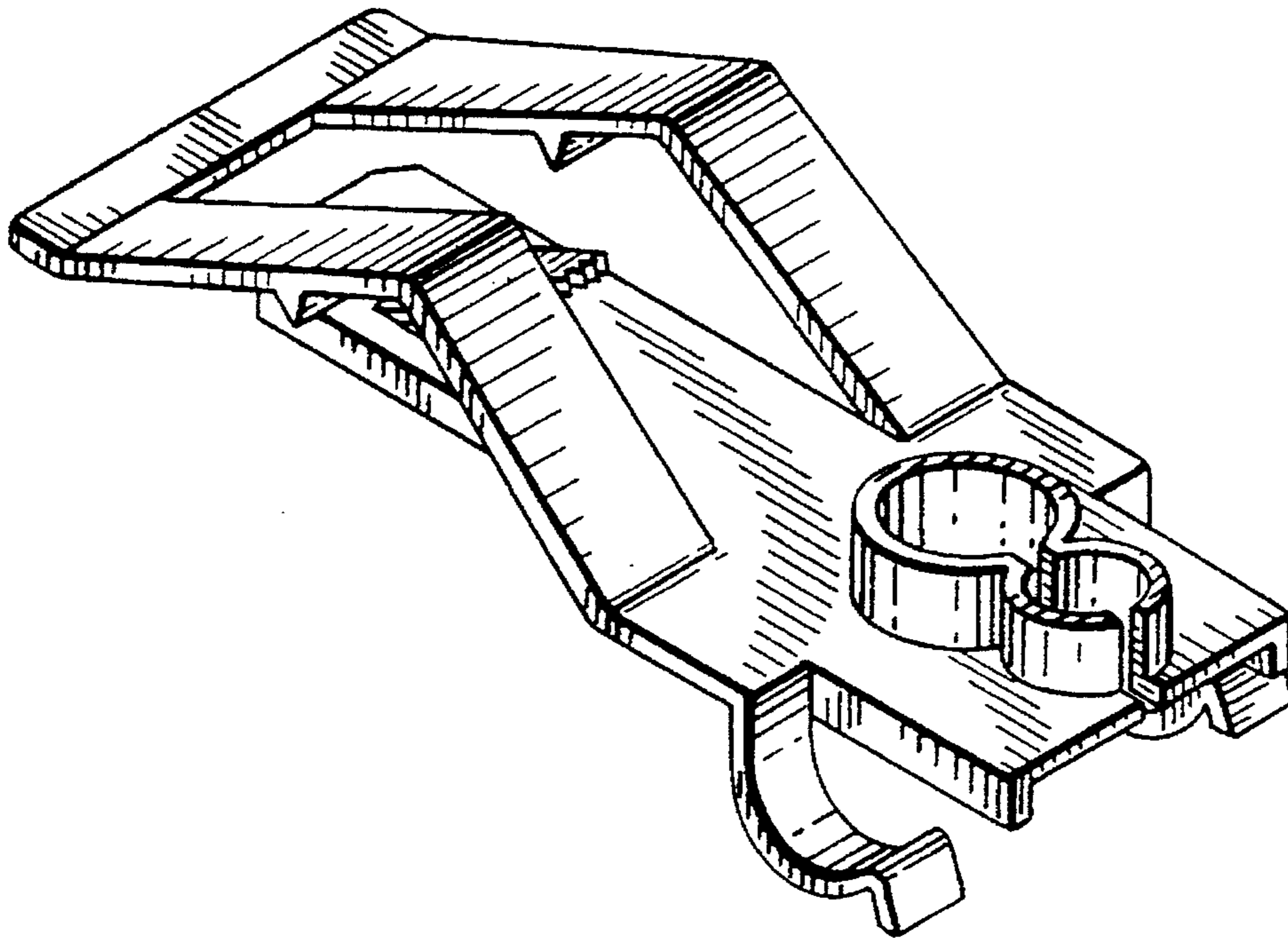


FIG. 2

FIG. 3

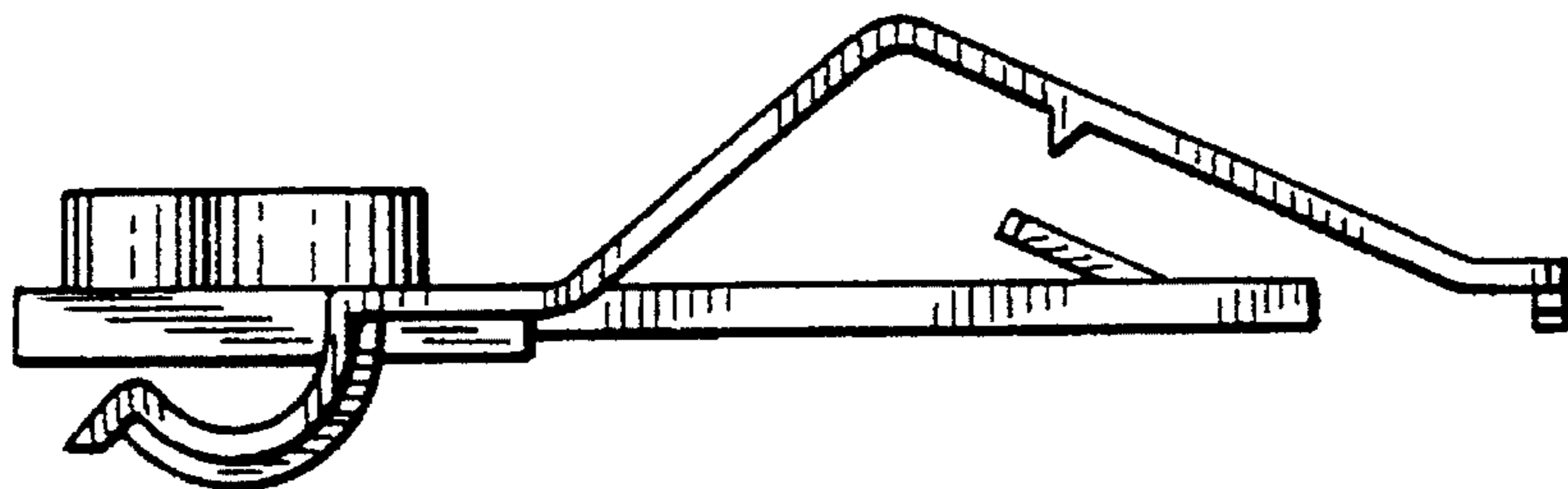


FIG. 4

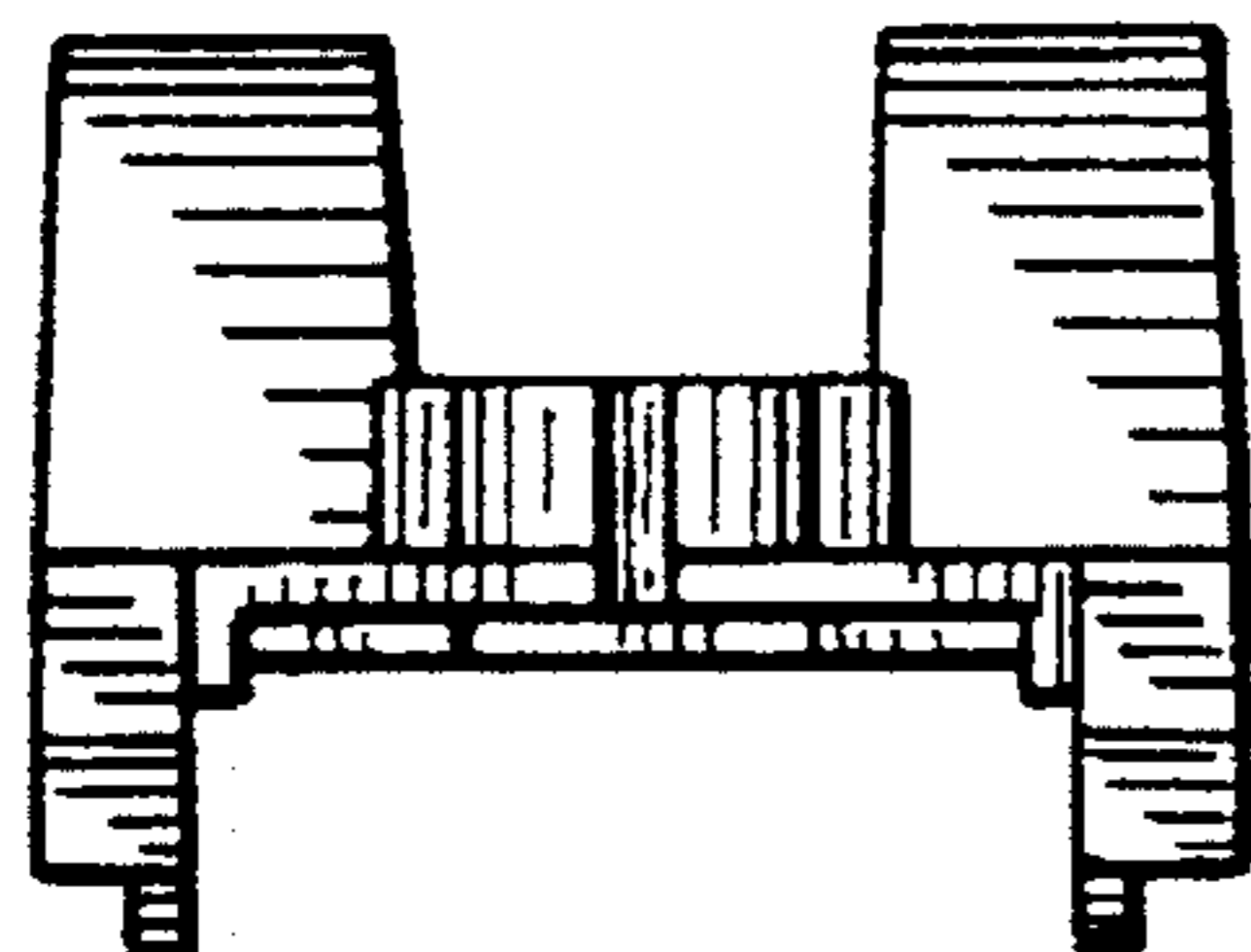


FIG. 5

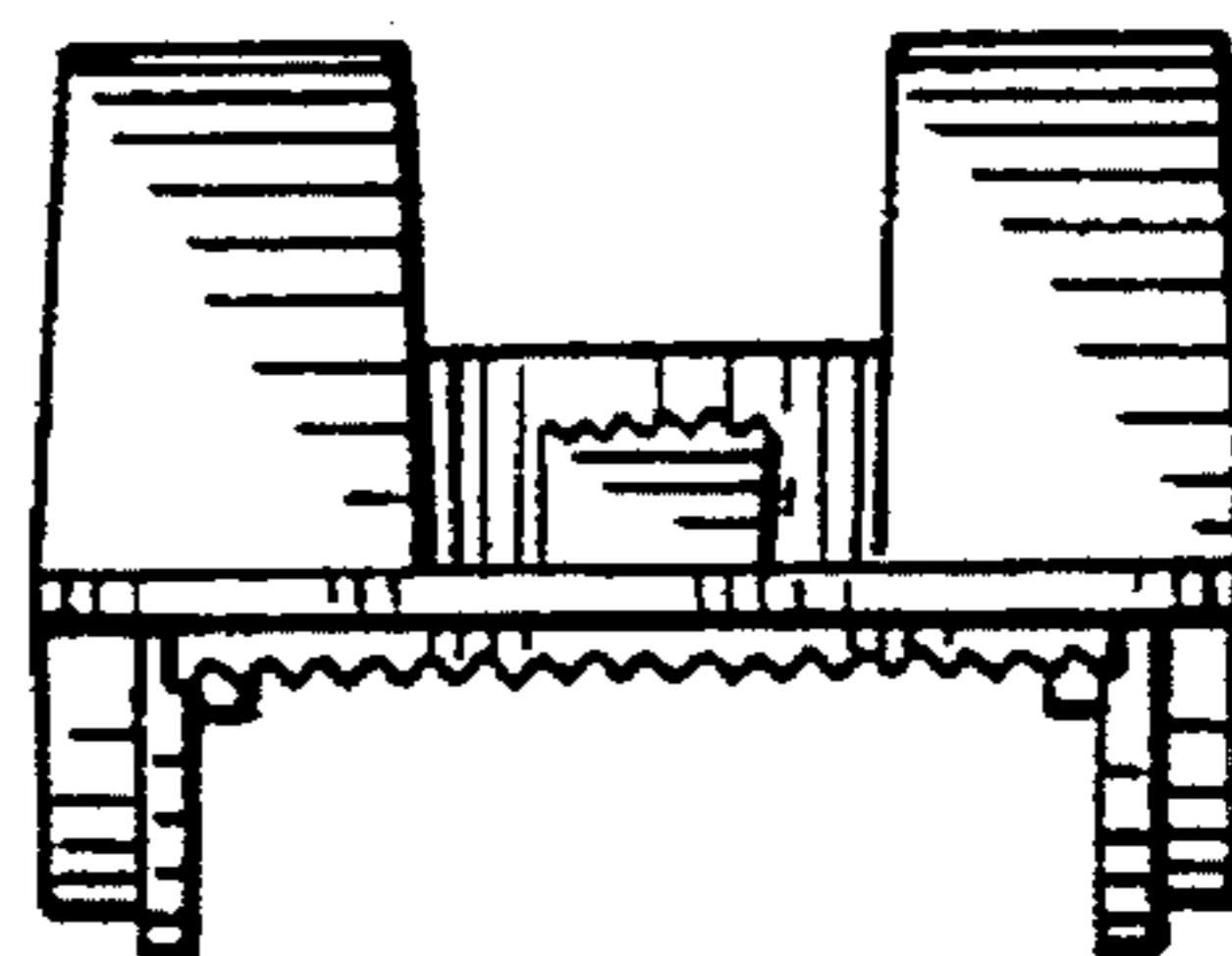


FIG. 6

