



US00D365013S

United States Patent [19]

Fujino

[11] Patent Number: **Des. 365,013**

[45] Date of Patent: ****Dec. 12, 1995**

[54] **SPRING REWINDER**

[76] Inventor: **Robert K. Fujino**, 1137 Wilder Ave.,
Room 802, Honolulu, Hi. 96822

[**] Term: **14 Years**

[21] Appl. No.: **27,428**

[22] Filed: **Aug. 22, 1994**

[52] U.S. Cl. **D8/359**

[58] Field of Search D8/358-359, 72-73;
D22/134, 143; 242/395, 405.3, 129.8, 128,
598.5

[56] **References Cited**

U.S. PATENT DOCUMENTS

D. 210,088	2/1968	Kircher	D8/359
D. 338,391	8/1993	Price	D8/359
3,731,887	5/1973	Wheeler	242/405.3
3,951,354	4/1976	Bagby	242/129.8
4,101,090	7/1978	Wait, Jr.	242/395 X

Primary Examiner—A. Hugo Word
Assistant Examiner—Holly H. Baynham
Attorney, Agent, or Firm—Harpman & Harpman

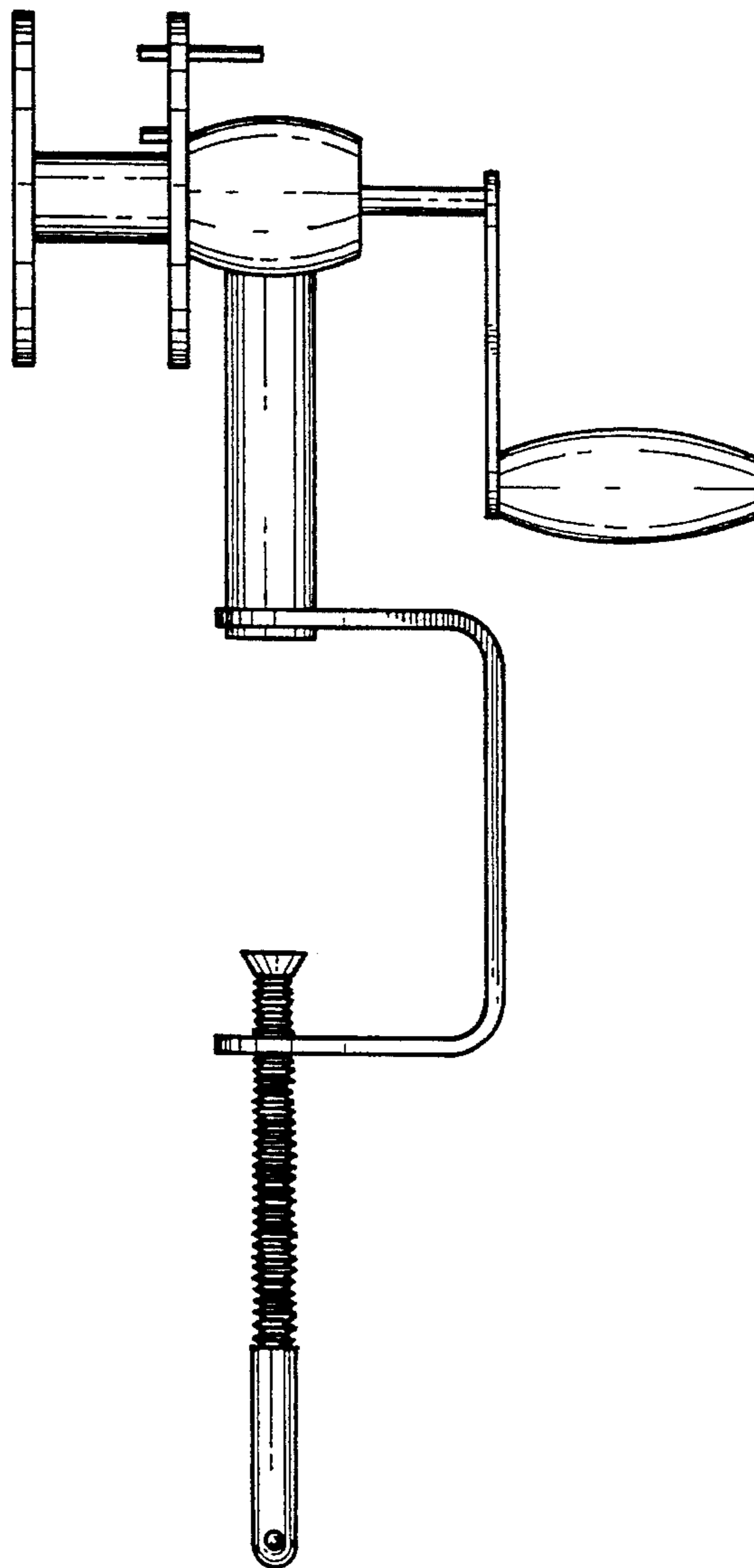
[57] **CLAIM**

The ornamental design for a spring rewriter, as shown and described.

DESCRIPTION

FIG. 1 is a front, top and side perspective view of the embodying the design of the present invention;
FIG. 2 is a front elevational view thereof;
FIG. 3 is a rear elevational view thereof;
FIG. 4 is a side elevational view thereof with the opposite side being a mirror image;
FIG. 5 is a top plan view thereof; and,
FIG. 6 is a bottom plan view thereof.

1 Claim, 4 Drawing Sheets



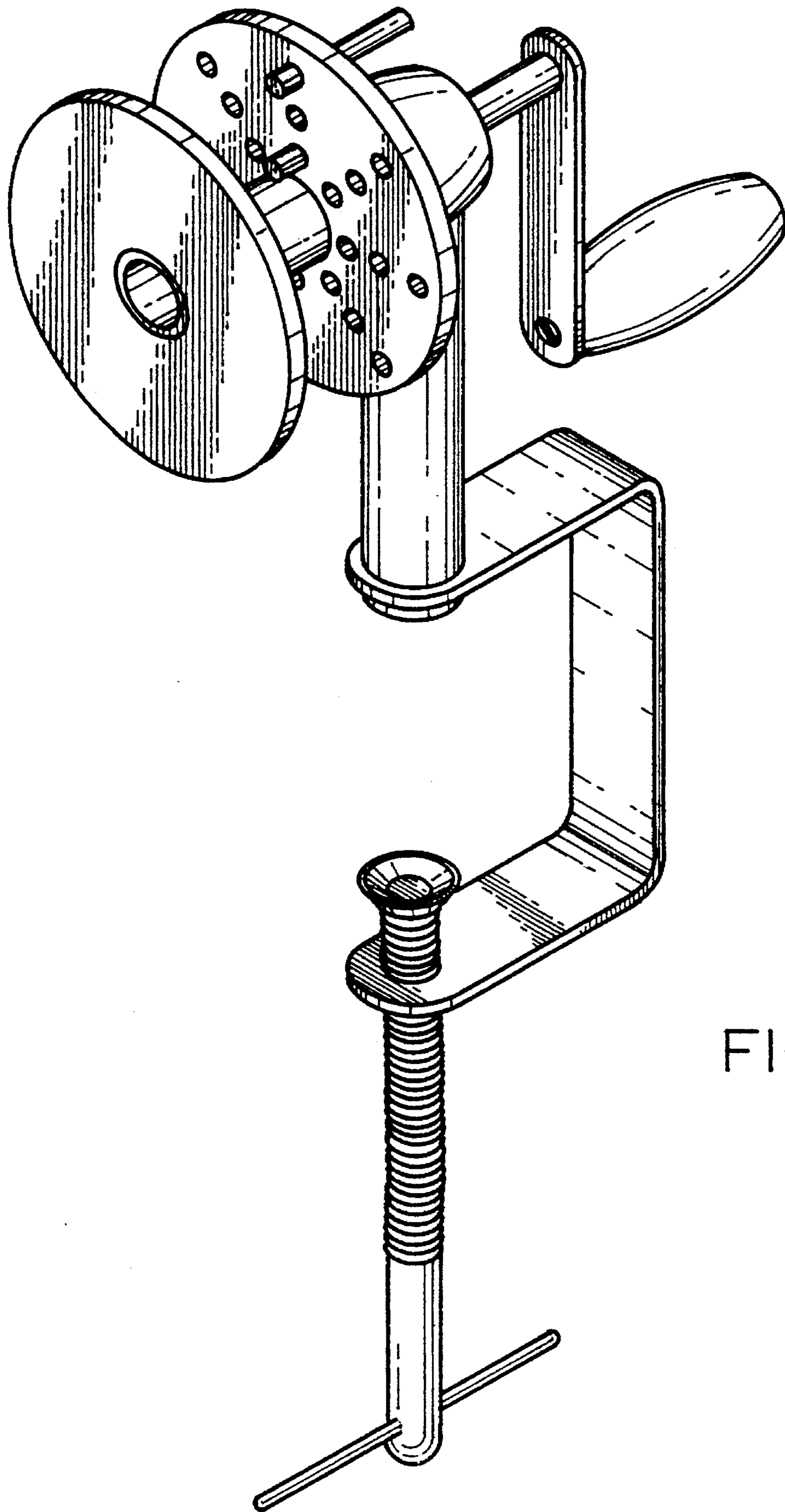


FIG. 1

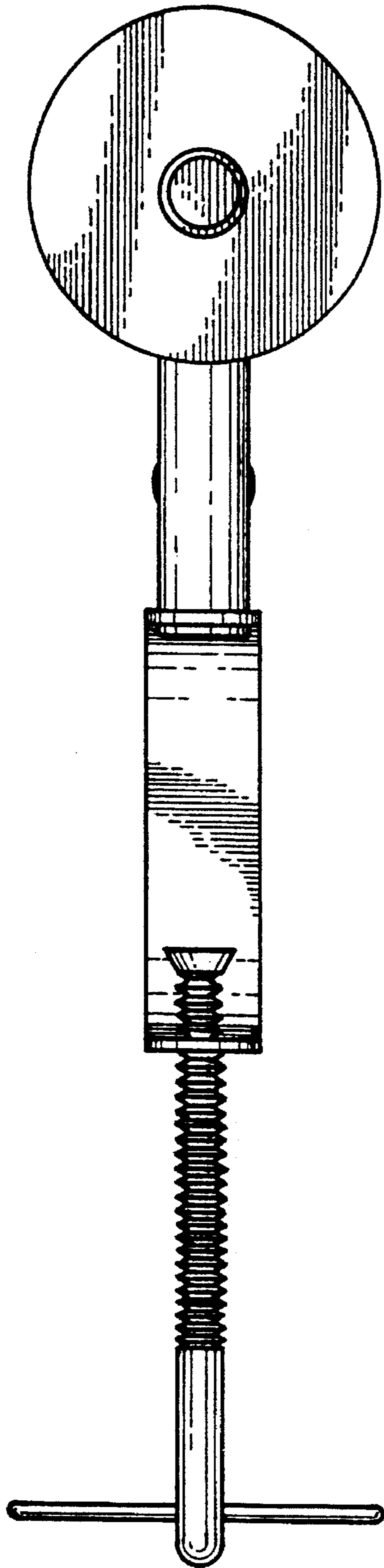


FIG. 2

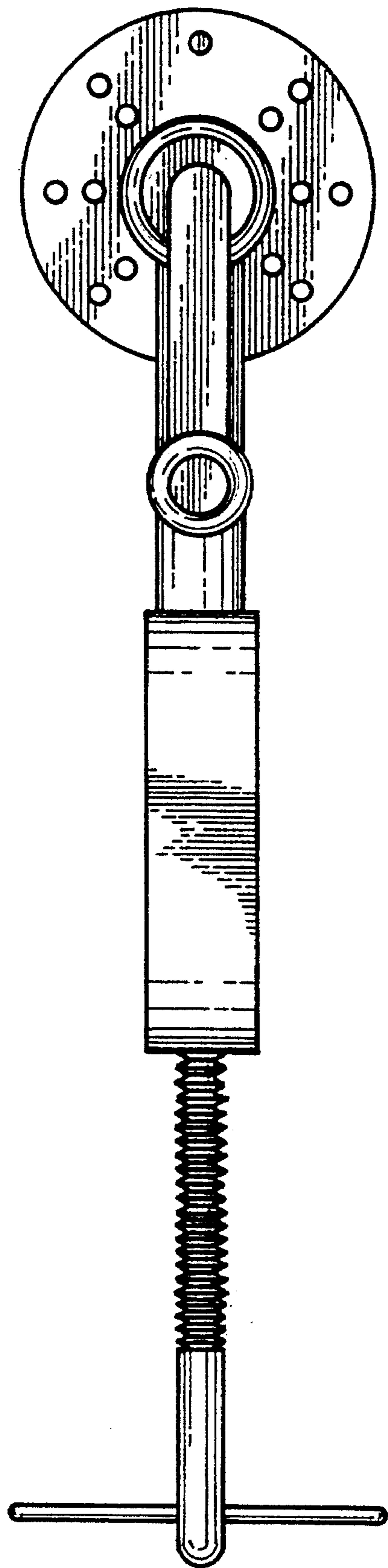


FIG. 3

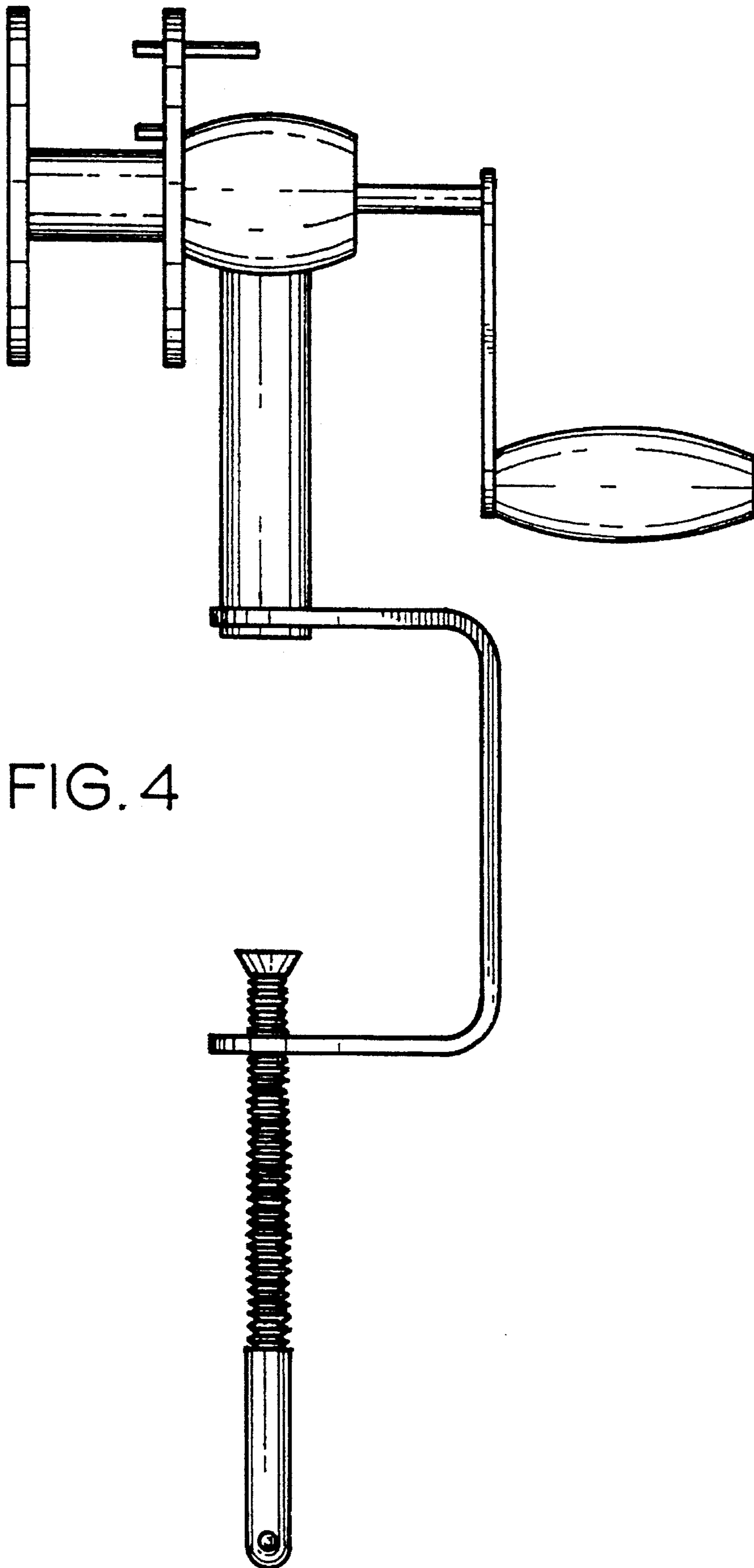


FIG. 4

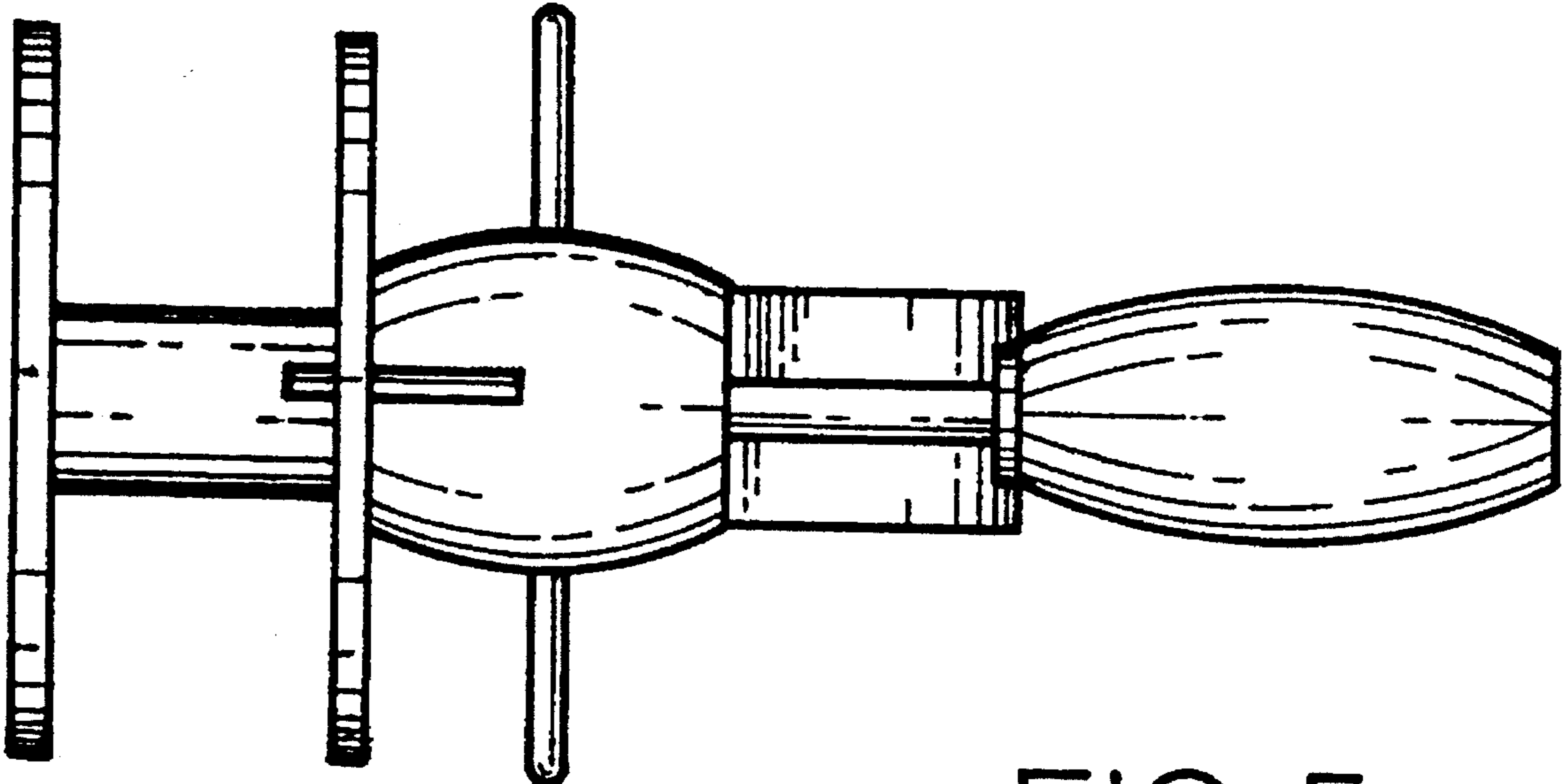


FIG. 5

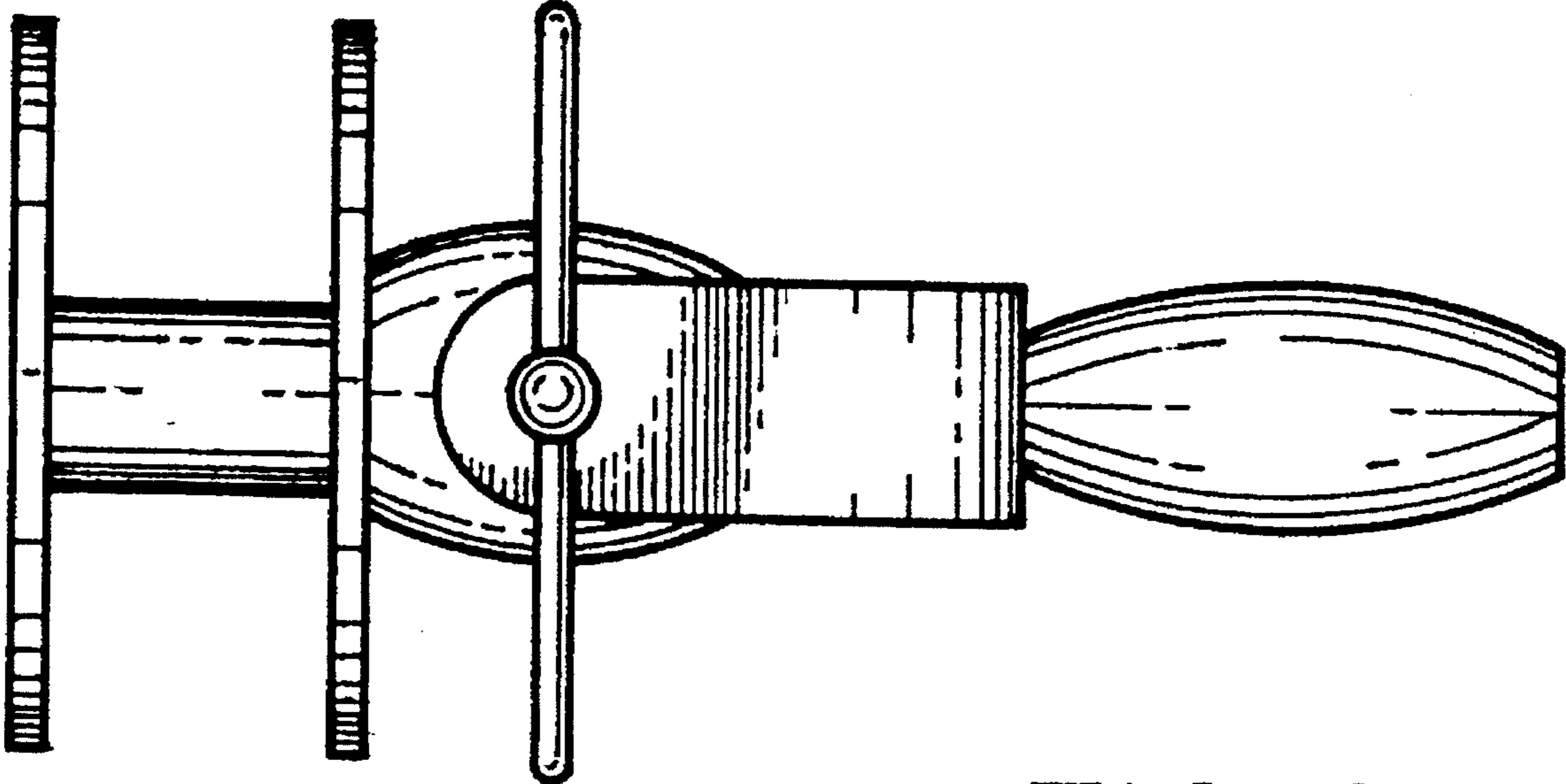


FIG. 6