



US00D365012S

# United States Patent [19]

Sather

[11] Patent Number: Des. 365,012

[45] Date of Patent: \*\*Dec. 12, 1995

[54] EXTENSION CORD REEL

[76] Inventor: **Kenneth E. Sather**, 1607 Arroya Vista, San Antonio, Tex.

[\*\*] Term: 14 Years

[21] Appl. No.: 20,775

[22] Filed: Apr. 1, 1994

[52] U.S. Cl. .... D8/359

[58] Field of Search ..... D8/358-359; 137/355.26, 137/355.27, 355.22; 242/395, 405.3, 129, 128, 598.5; 191/12.4

### [56] References Cited

#### U.S. PATENT DOCUMENTS

D. 334,882	4/1993	Bunch	.....	D8/359
1,339,785	5/1920	Perrine	.....	137/355.27
4,058,273	11/1977	Buell	.....	242/129 X
4,825,986	5/1989	Pepper	.....	191/12.4
5,119,843	6/1992	Keenan	.....	137/355.26 X

Primary Examiner—James M. Gandy

Assistant Examiner—Holly Baynham

### [57] CLAIM

The ornamental design for an extension cord reel, as shown and described.

### DESCRIPTION

FIG. 1 is a perspective view of an extension cord reel, in carrying condition, showing my new design;

FIG. 2 is a top plan view of my invention, in horizontal operative condition;

FIG. 3 is a bottom plan view of FIG. 2;

FIG. 4 is a right side elevational view of FIG. 2;

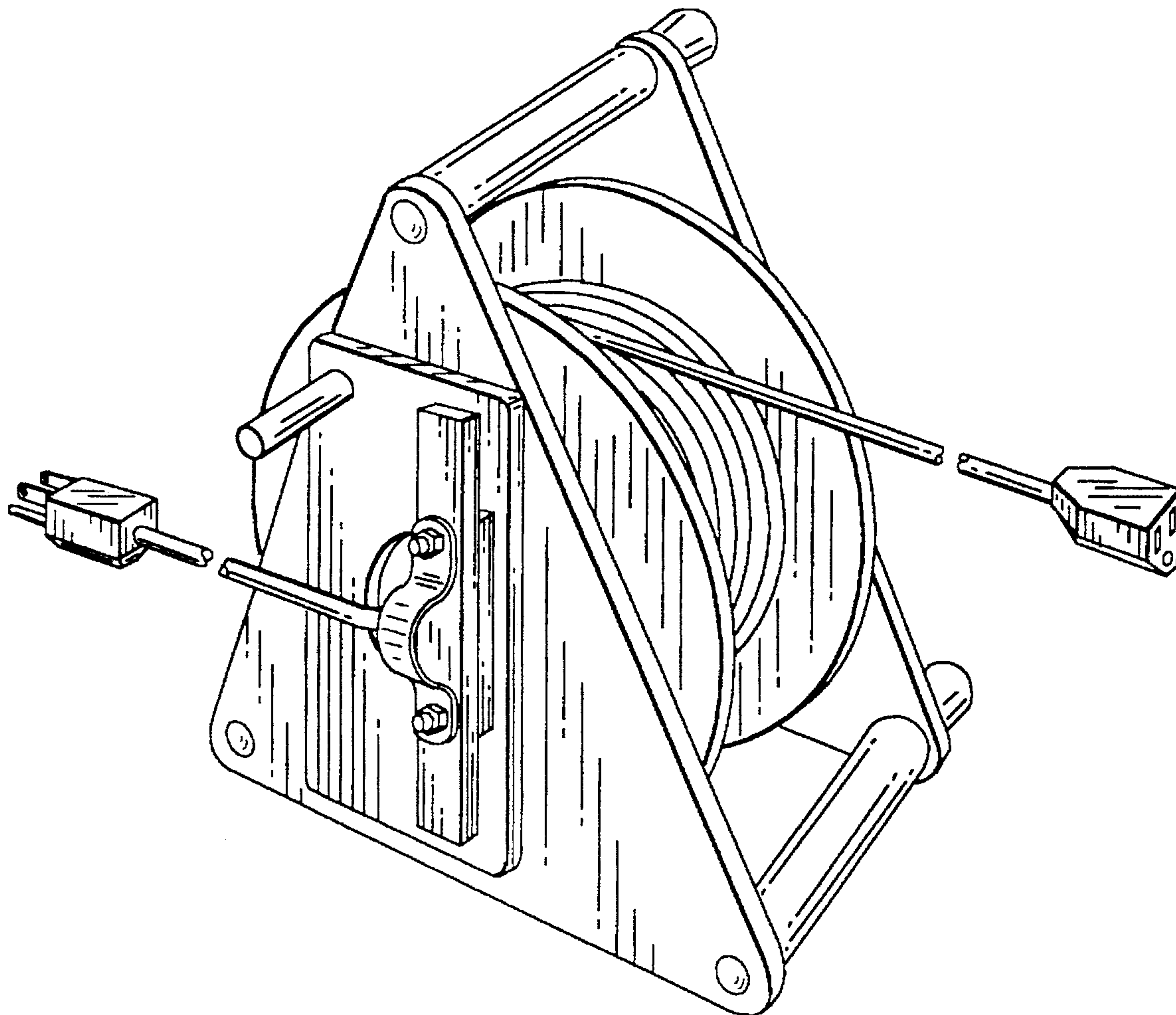
FIG. 5 is a left side elevational view of FIG. 2;

FIG. 6 is a front side elevational view of FIG. 2; and,

FIG. 7 is a rear side elevational view showing the side opposite to the view of FIG. 6.

The electric cord is shown broken away in FIGS. 1-3 and 6-7 to indicate indeterminate length.

1 Claim, 2 Drawing Sheets



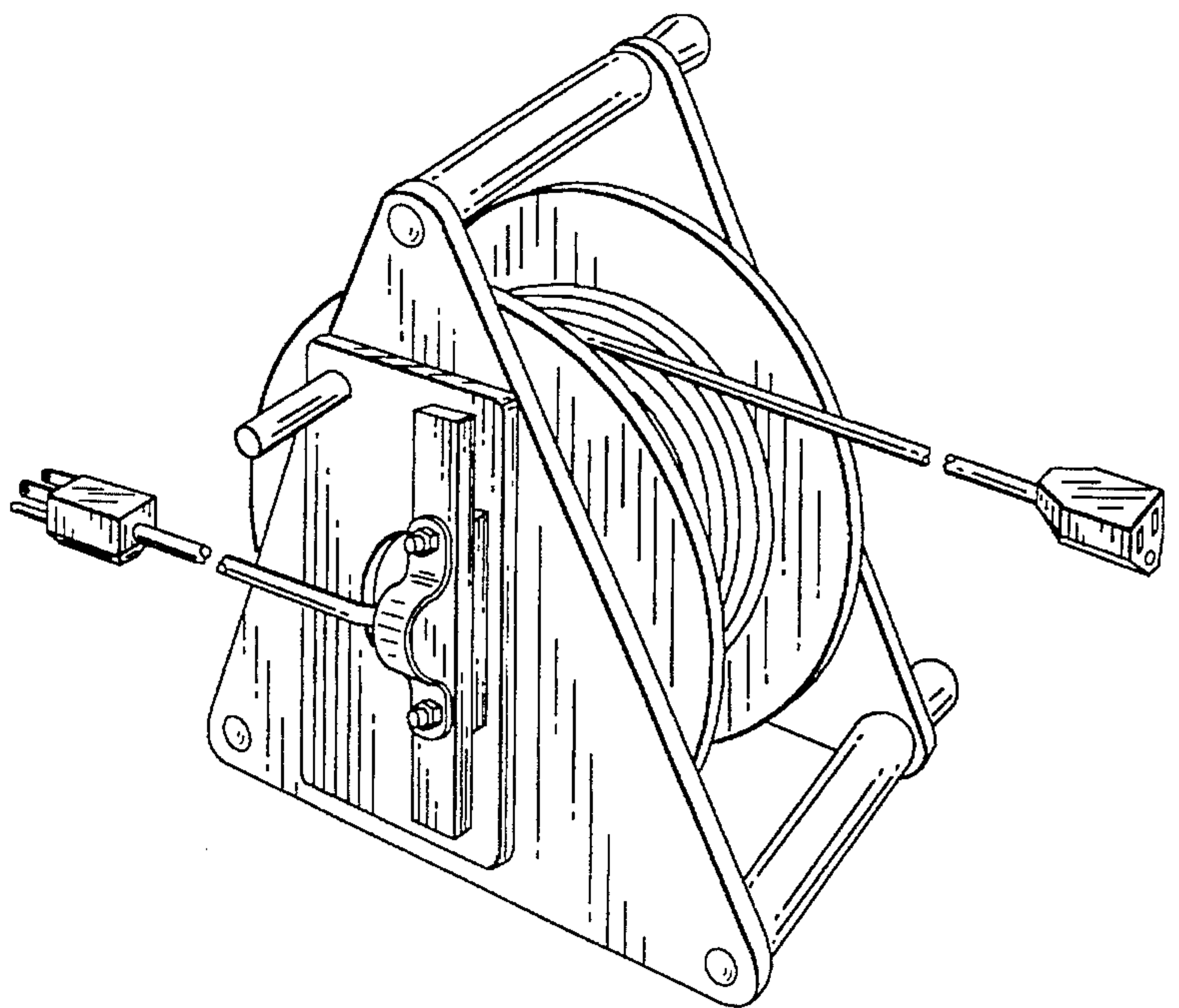


Fig. 1

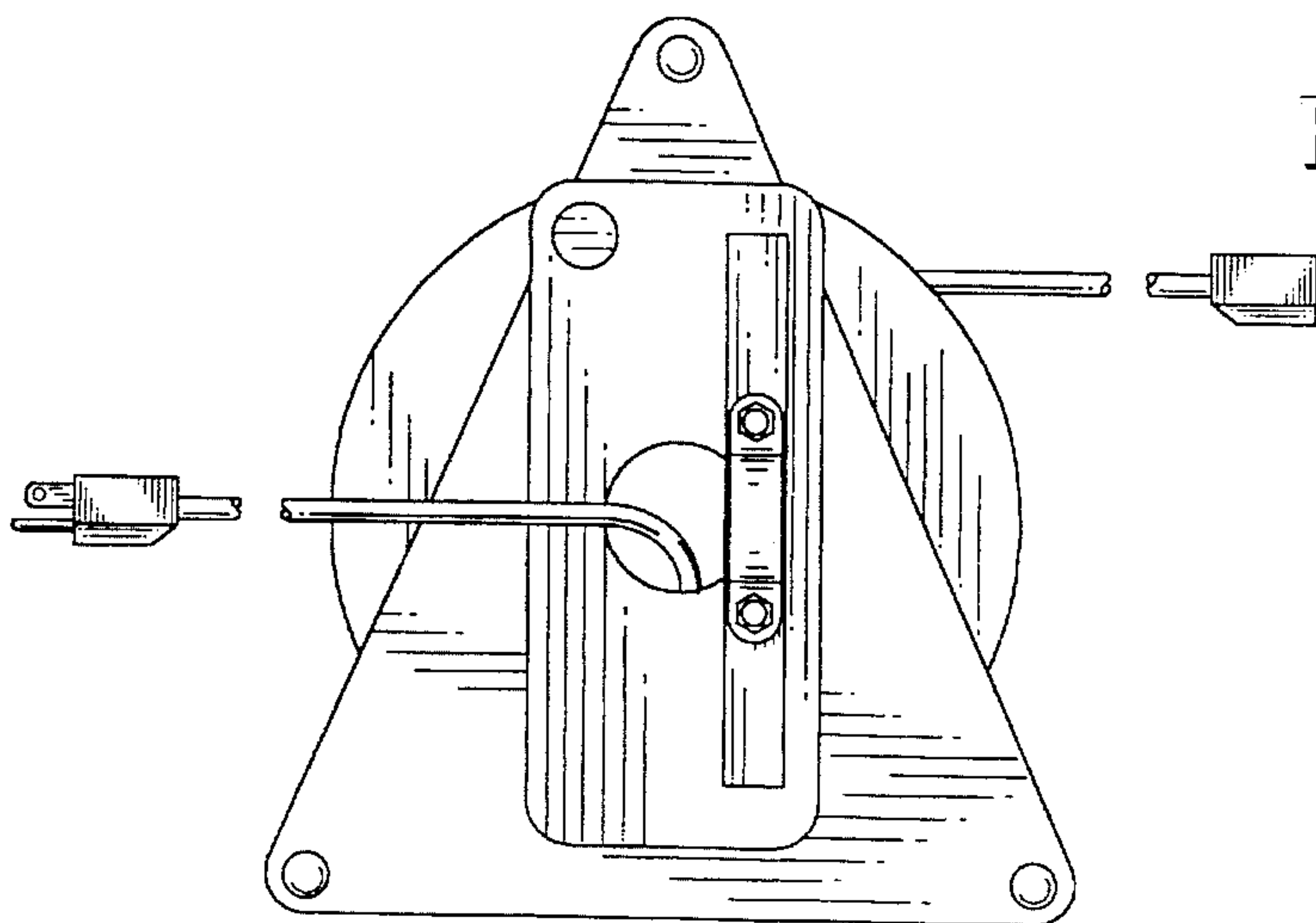


Fig. 2

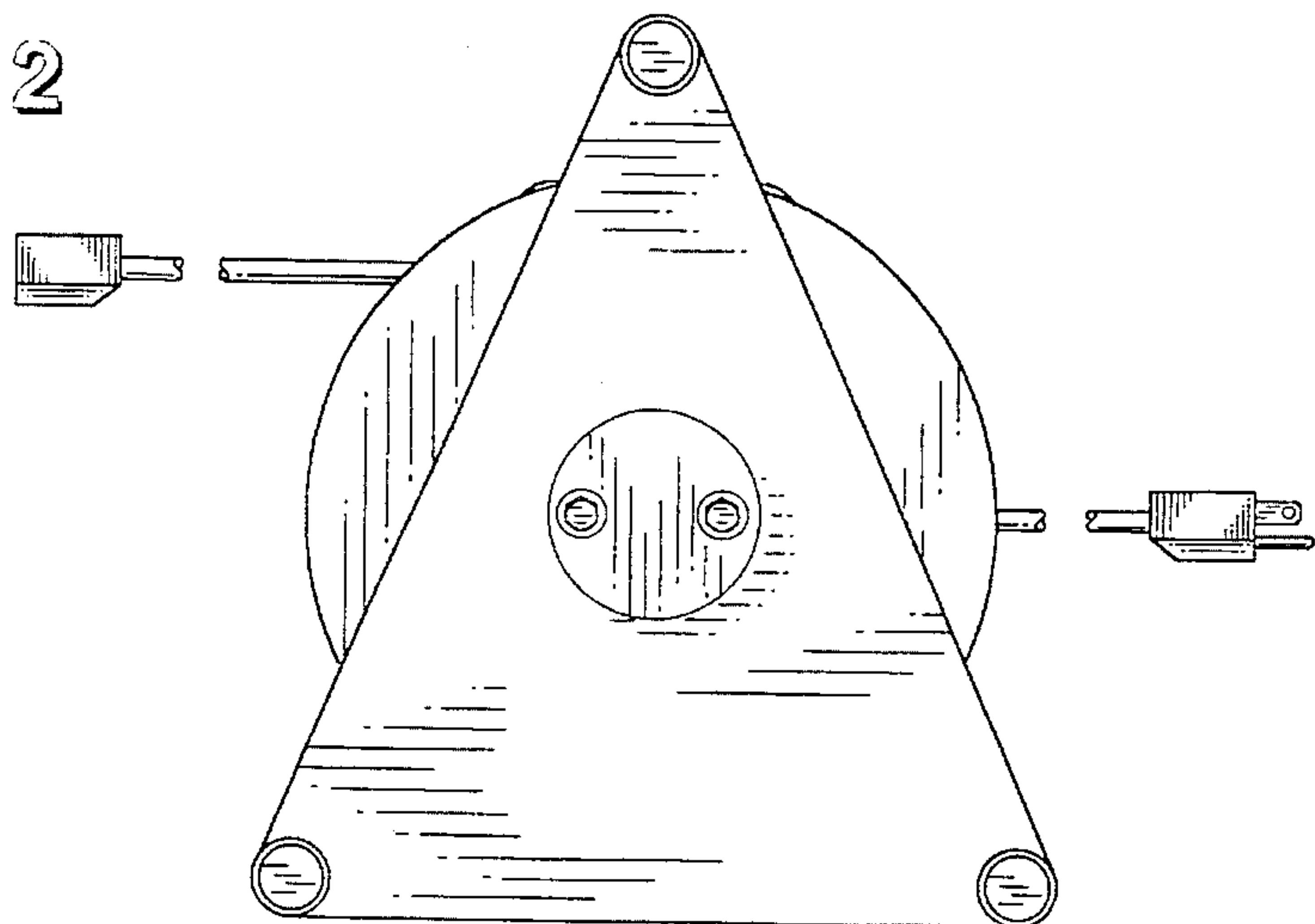


Fig. 3

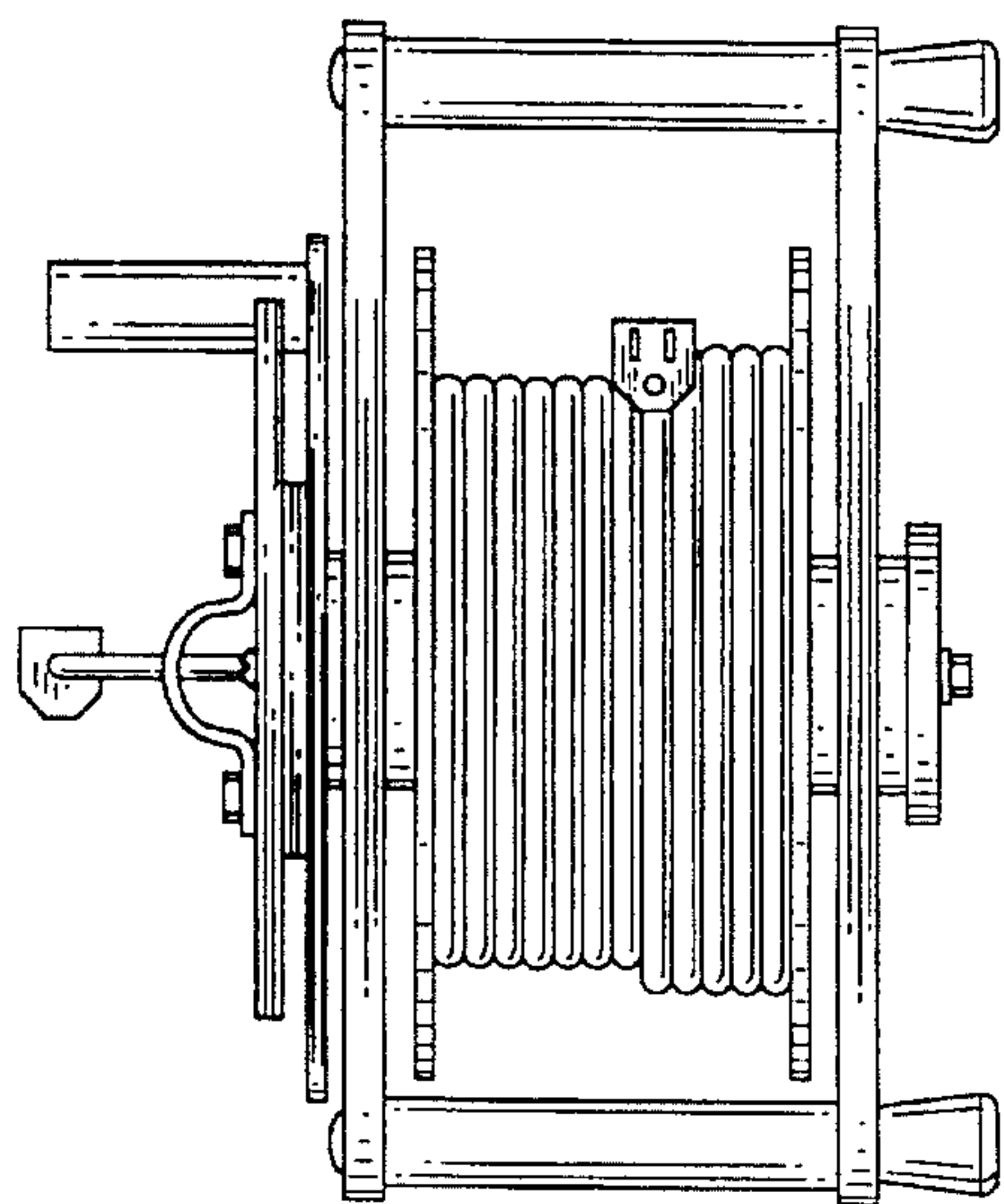


Fig. 4

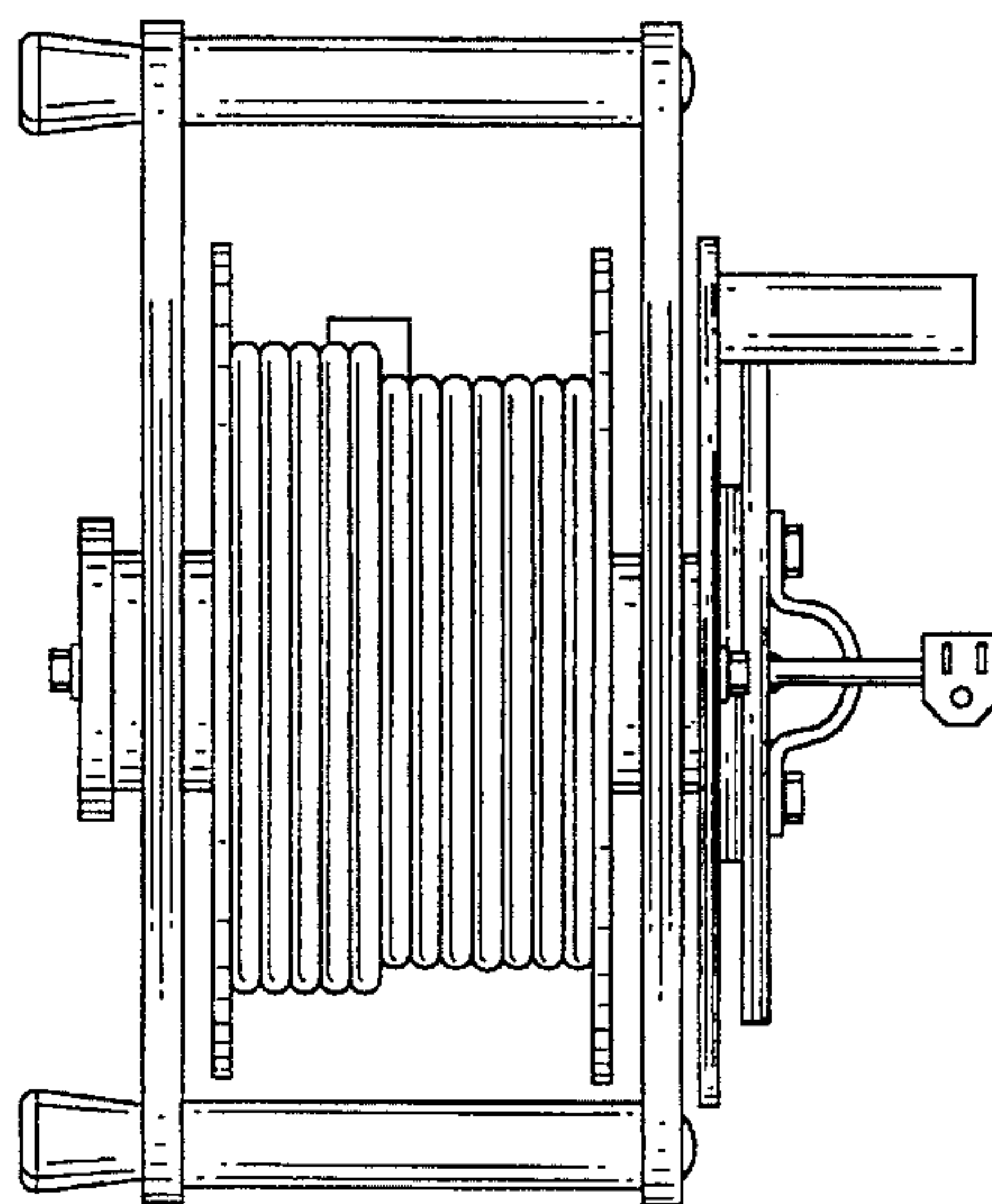


Fig. 5

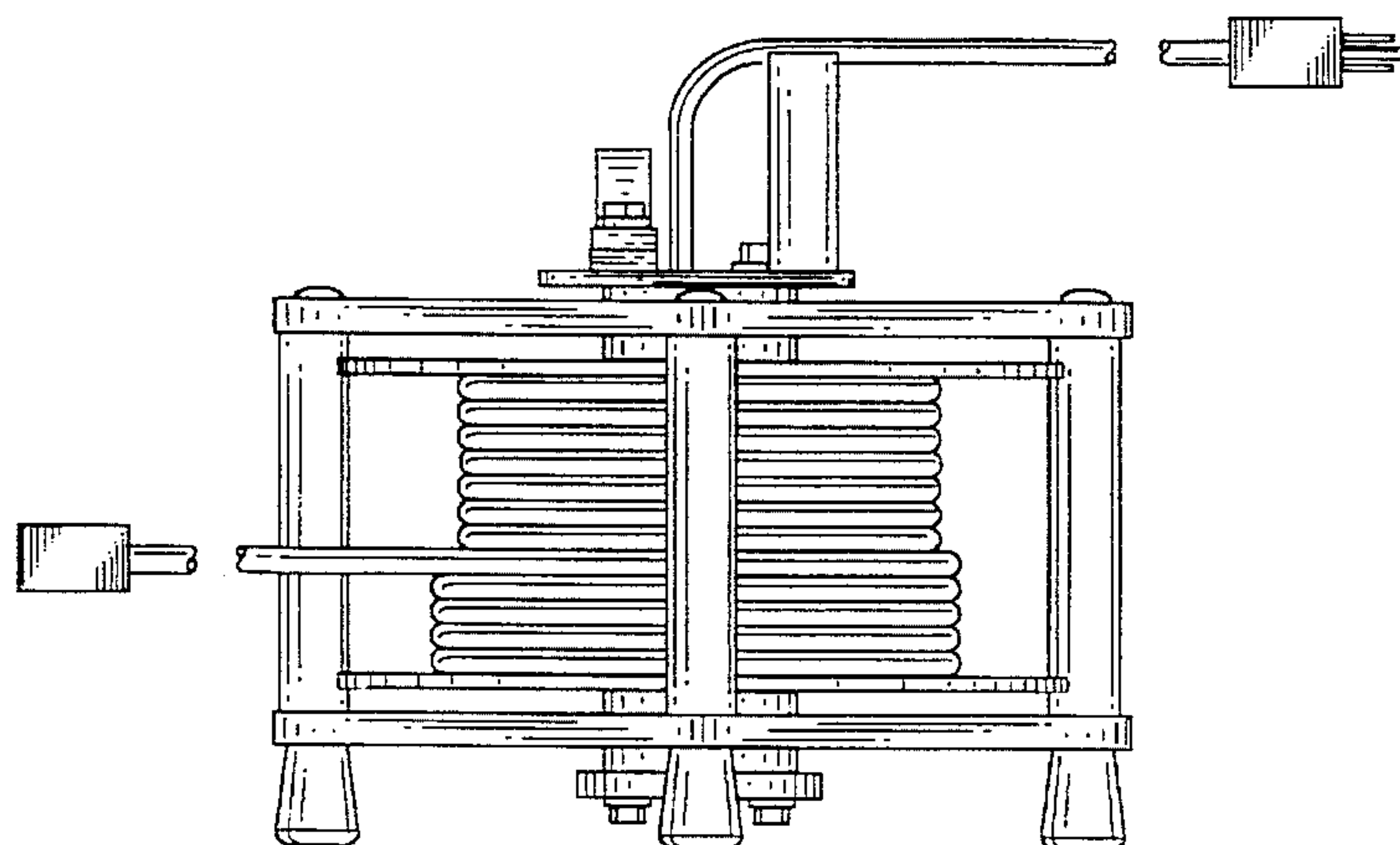


Fig. 6

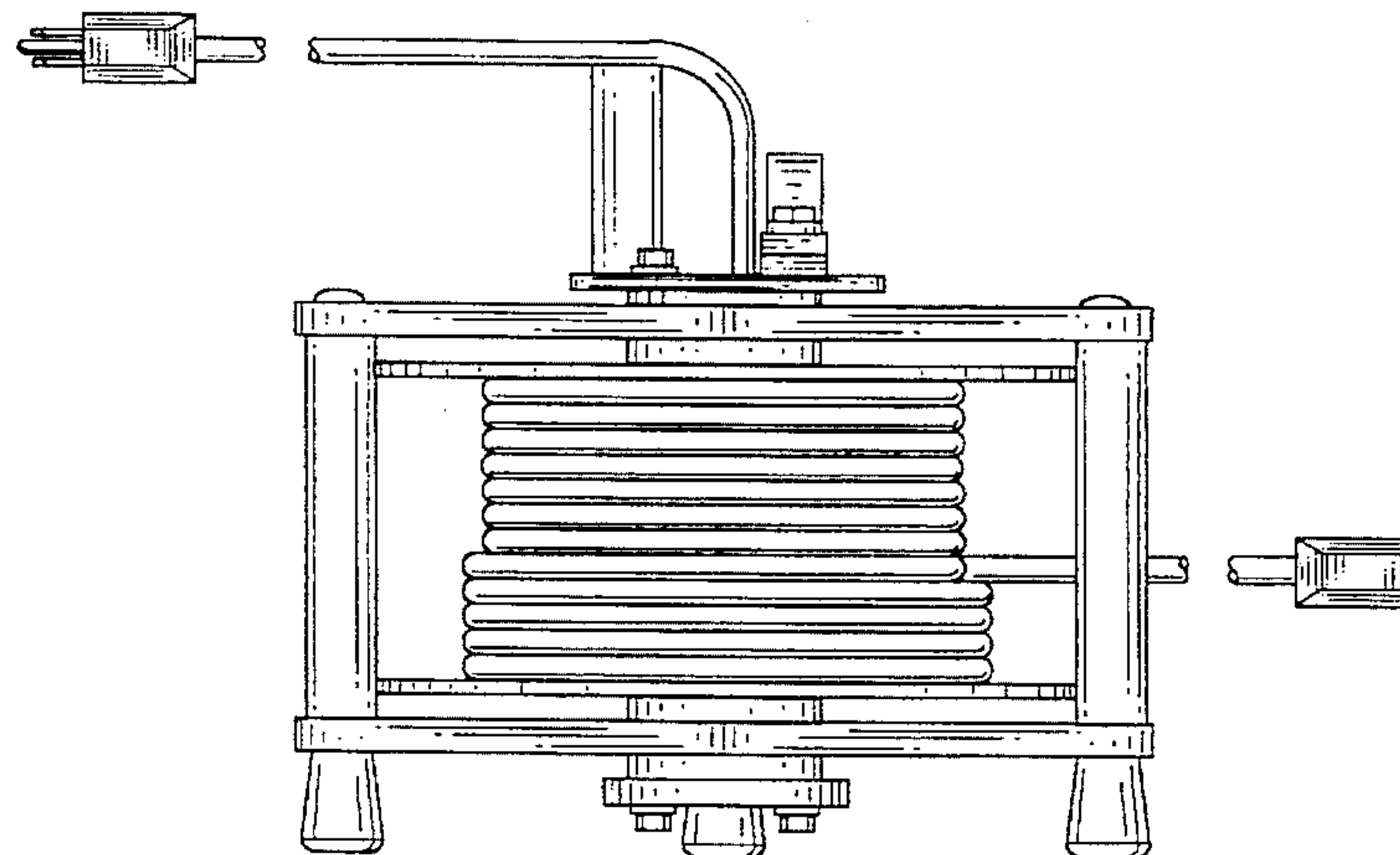


Fig. 7