



US00D365011S

United States Patent [19]
Myers

[11] **Patent Number:** **Des. 365,011**

[45] **Date of Patent:** ****Dec. 12, 1995**

[54] **VEHICLE GAS TANK DOOR LOCK**

4,802,354 2/1989 Johnson 70/491
4,831,852 5/1989 Hughes 70/491

[75] Inventor: **Gary L. Myers, Monee, Ill.**

Primary Examiner—Kay H. Chin
Attorney, Agent, or Firm—Leydig, Voit & Mayer

[73] Assignee: **Fort Lock Corporation, River Grove, Ill.**

[57] **CLAIM**

[**] Term: **14 Years**

The ornamental design for a vehicle gas tank door lock, as shown and described.

[21] Appl. No.: **27,316**

DESCRIPTION

[22] Filed: **Aug. 18, 1994**

[52] U.S. Cl. **D8/331; 108/343**

FIG. 1 is a front perspective view of a vehicle gas tank door lock showing my new design;

[58] Field of Search D8/331, 336, 343,
D8/330; 70/491, 252, 404, 373, 247

FIG. 2 is a front elevational view thereof;

FIG. 3 is a right side elevational view thereof;

FIG. 4 is a rear elevational view thereof;

FIG. 5 is a top plan view thereof; and,

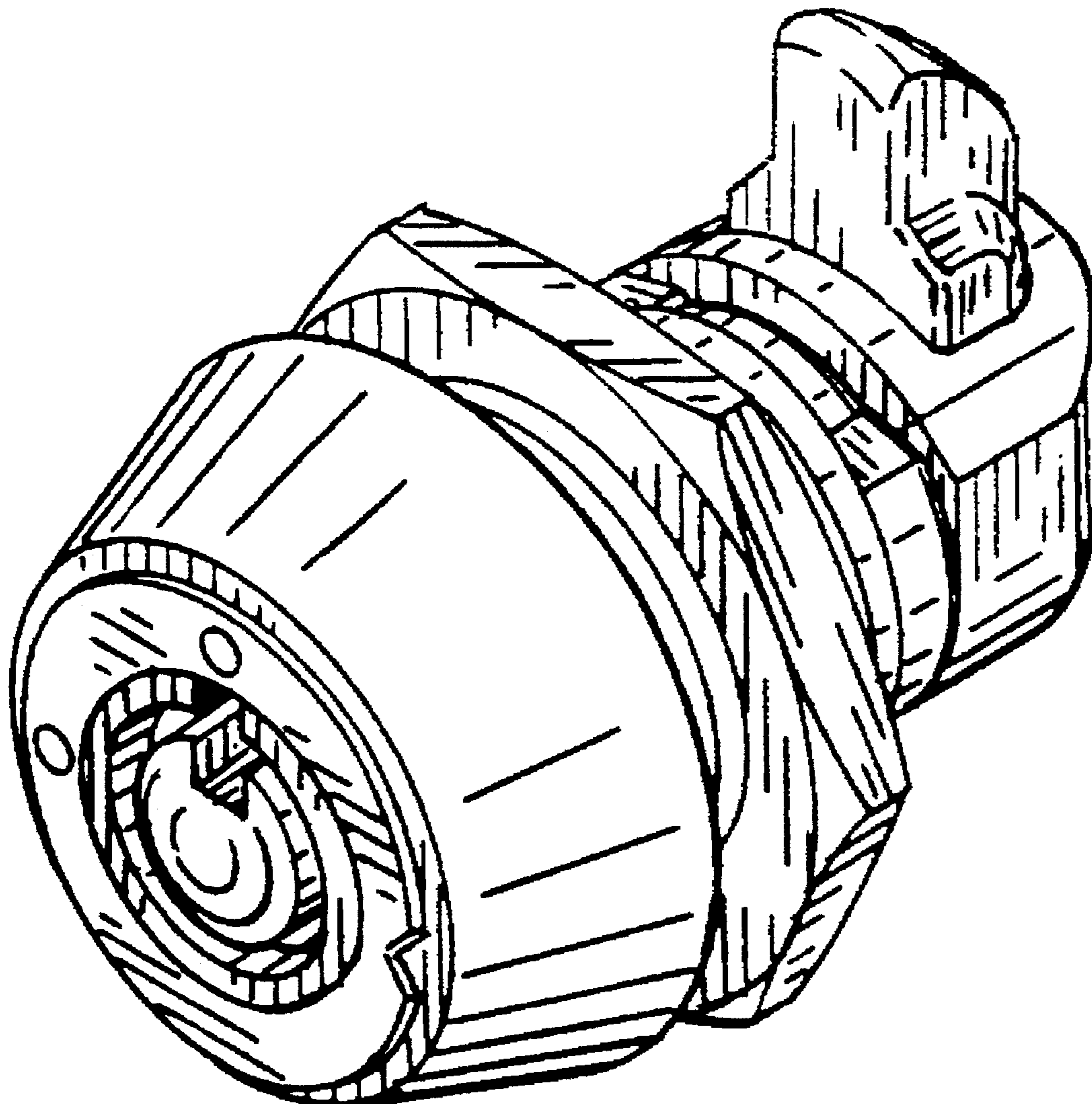
FIG. 6 is a bottom plan view thereof.

[56] **References Cited**

U.S. PATENT DOCUMENTS

3,251,205 5/1966 Kerr 70/491
3,289,442 12/1966 Berger et al. 70/173
3,541,819 11/1970 Kerr 70/491

1 Claim, 2 Drawing Sheets



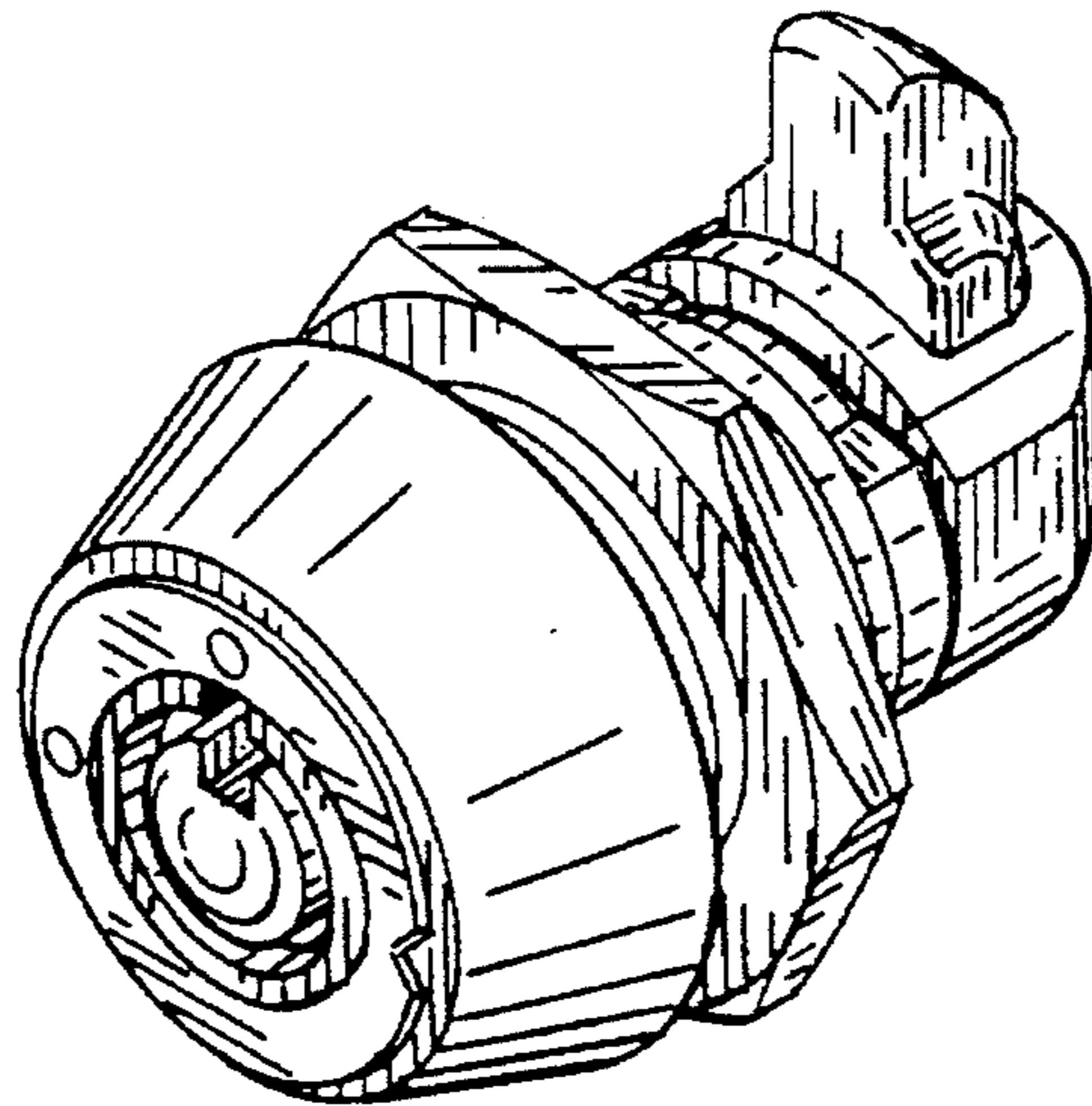


FIG. 1

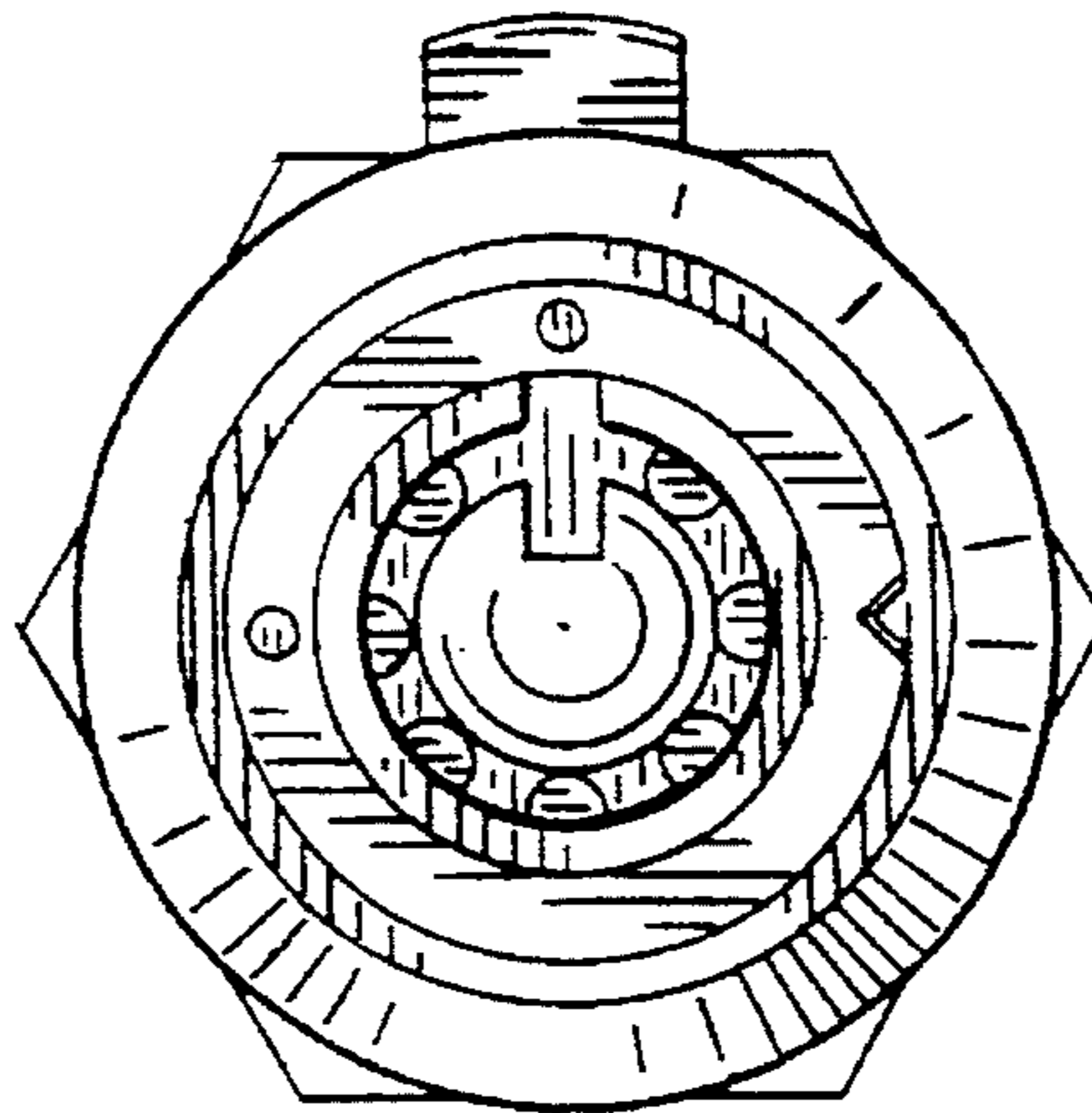


FIG. 2

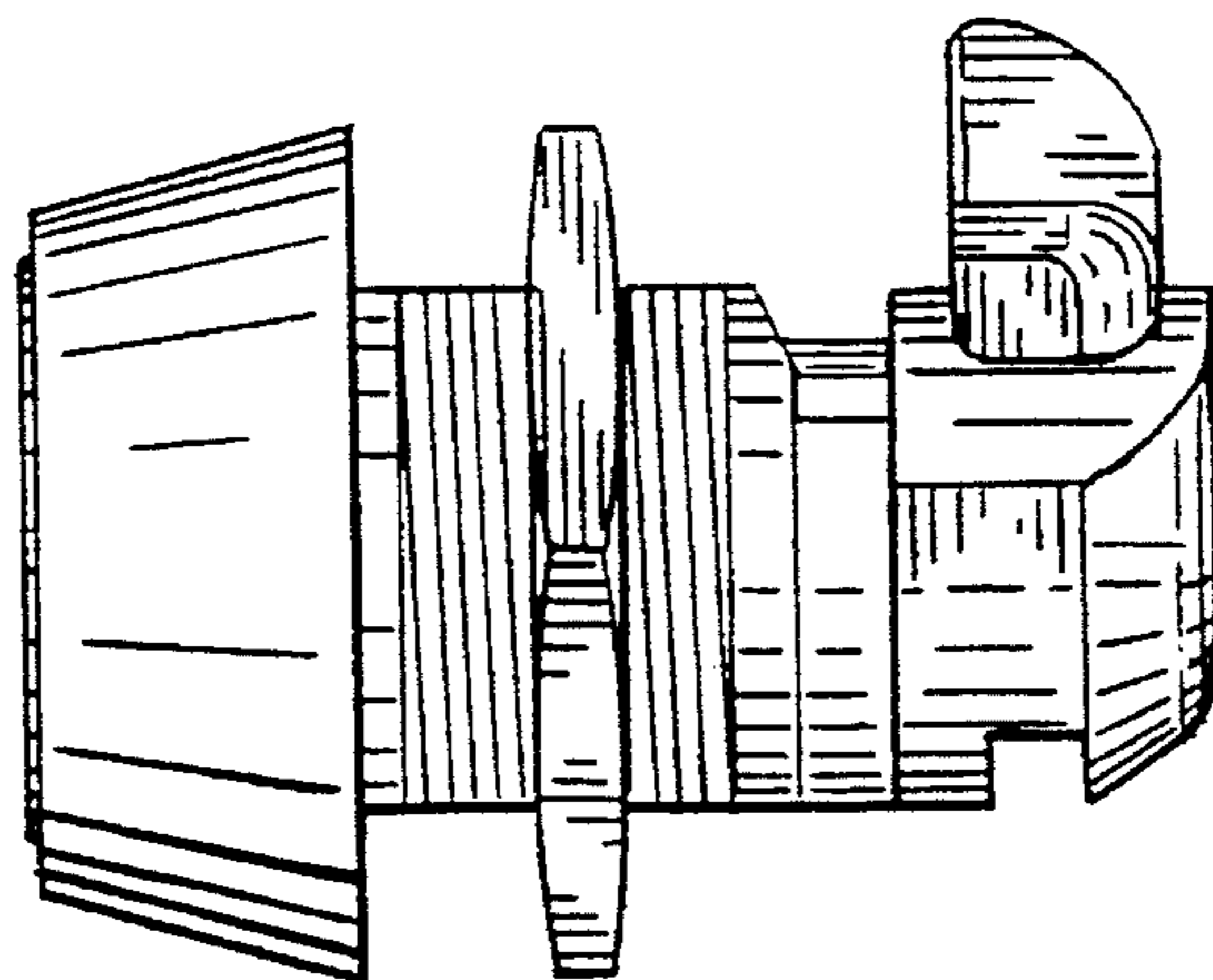


FIG. 3

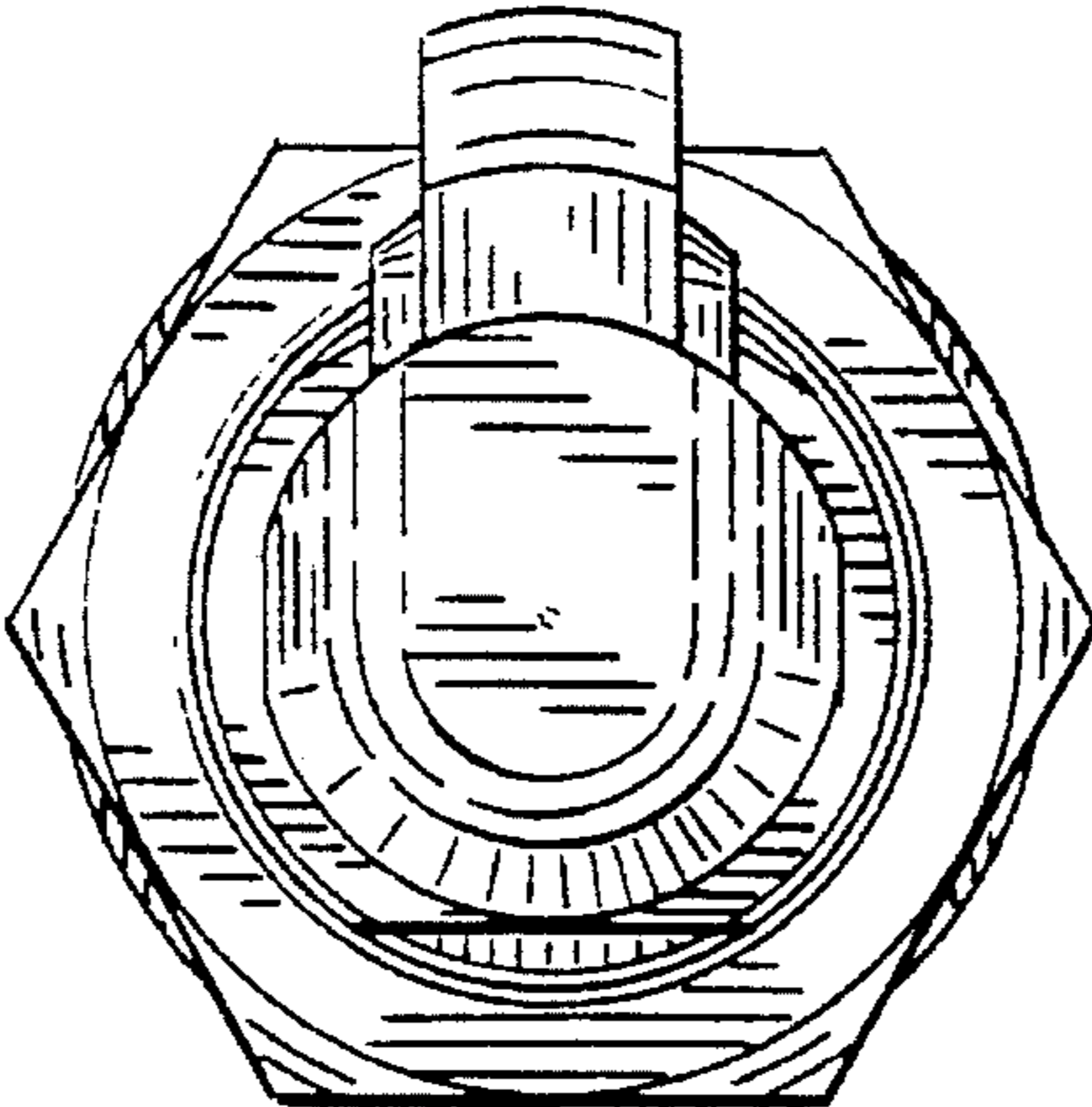


FIG. 4

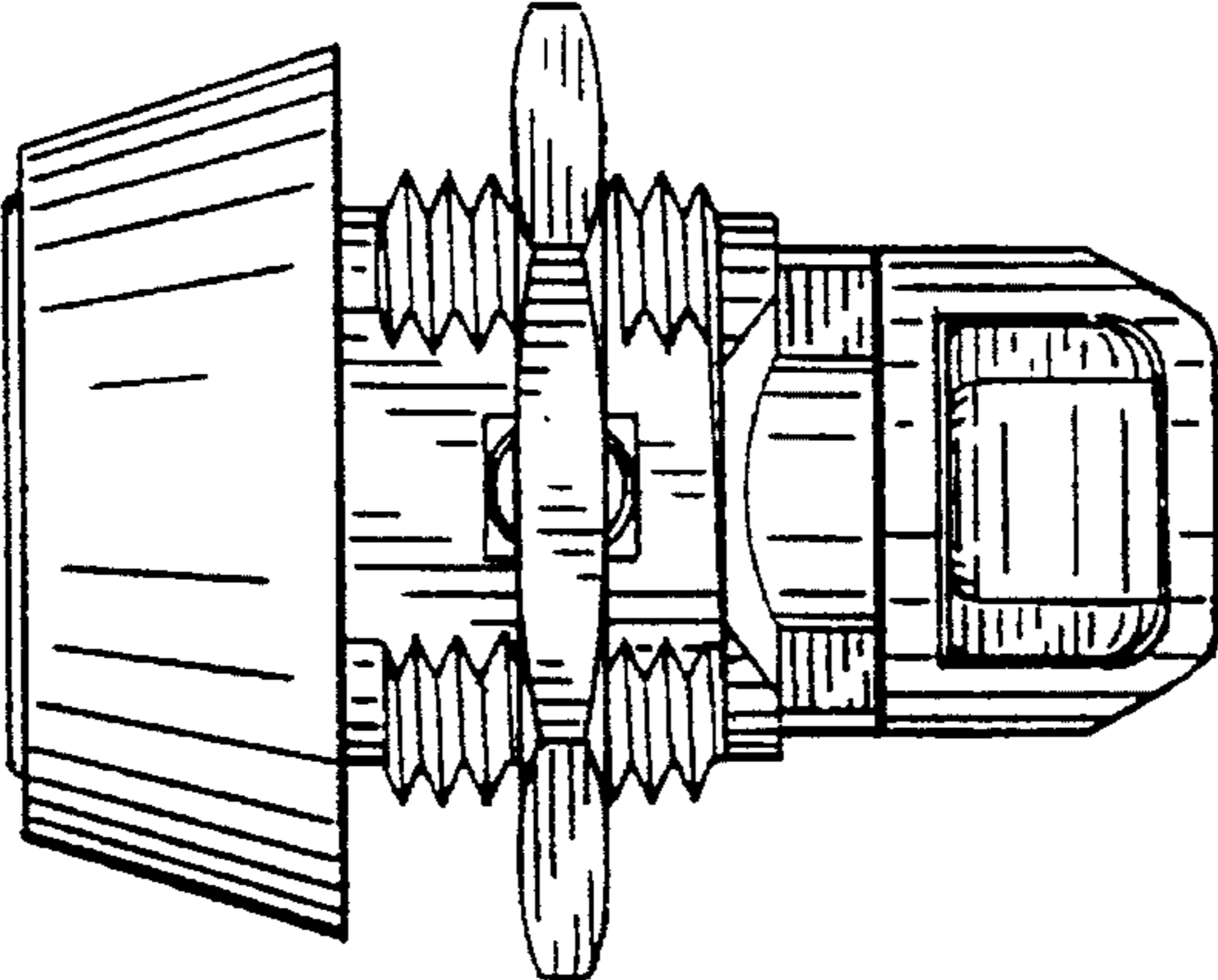


FIG. 5

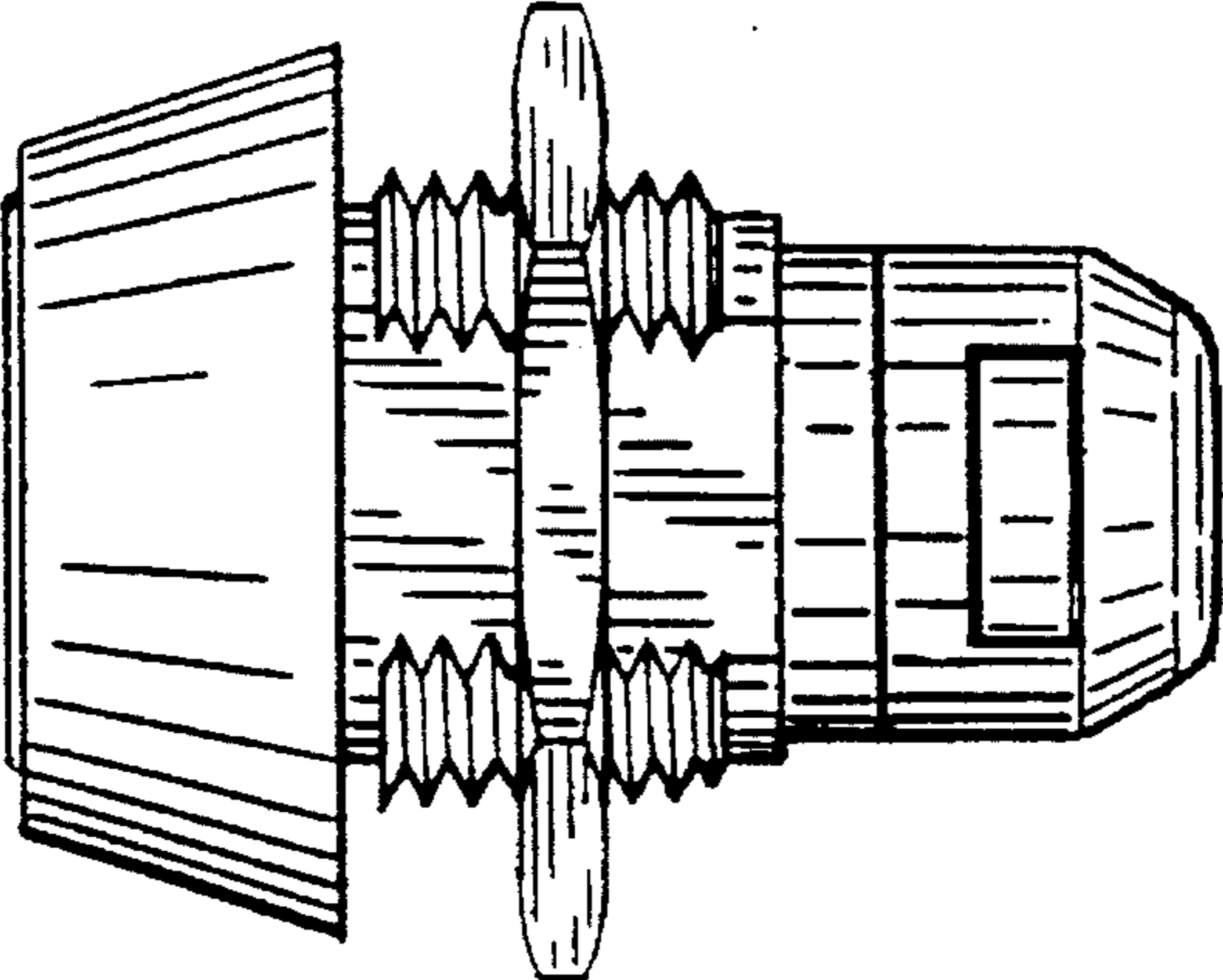


FIG. 6