



US00D365009S

United States Patent [19] Lénberg

[11] Patent Number: **Des. 365,009**

[45] Date of Patent: ****Dec. 12, 1995**

[54] HANDLE

[75] Inventor: **Lars Lénberg**, Nossebro, Sweden

[73] Assignee: **Tour & Andersson AB**, Vasterhaninge, Sweden

[**] Term: **14 Years**

[21] Appl. No.: **12,148**

[22] Filed: **Aug. 24, 1993**

[30] Foreign Application Priority Data

Feb. 25, 1993 [DK] Denmark MA02071933

[52] U.S. Cl. **D8/307**

[58] Field of Search D8/300, 307, 310,
D8/311; D23/250, 254; 16/110 R, 121;
74/553, 557

[56] References Cited

U.S. PATENT DOCUMENTS

D. 44,935 11/1913 Peterson D8/311
D. 87,511 8/1932 Duncan D23/250

D. 200,186 1/1965 Kelly D23/250
D. 269,409 6/1983 Ferdinand et al. D8/310 X
1,989,083 1/1935 Dahnken et al. 16/121
4,515,037 5/1985 Block 74/553

FOREIGN PATENT DOCUMENTS

403967 10/1924 Germany 16/110 R

Primary Examiner—Terry A. Wallace

Assistant Examiner—Nanda Bondade

Attorney, Agent, or Firm—Davis, Bujold and Streck

[57] CLAIM

The ornamental design for a handle, as shown and described.

DESCRIPTION

FIG. 1 is a top plan view of a handle showing my new design;

FIG. 2 is a bottom plan view thereof;

FIG. 3 is a side elevational view thereof, the opposite side being a mirror image;

FIG. 4 is a rear elevational view thereof; and,

FIG. 5 is a front elevational view thereof.

1 Claim, 2 Drawing Sheets

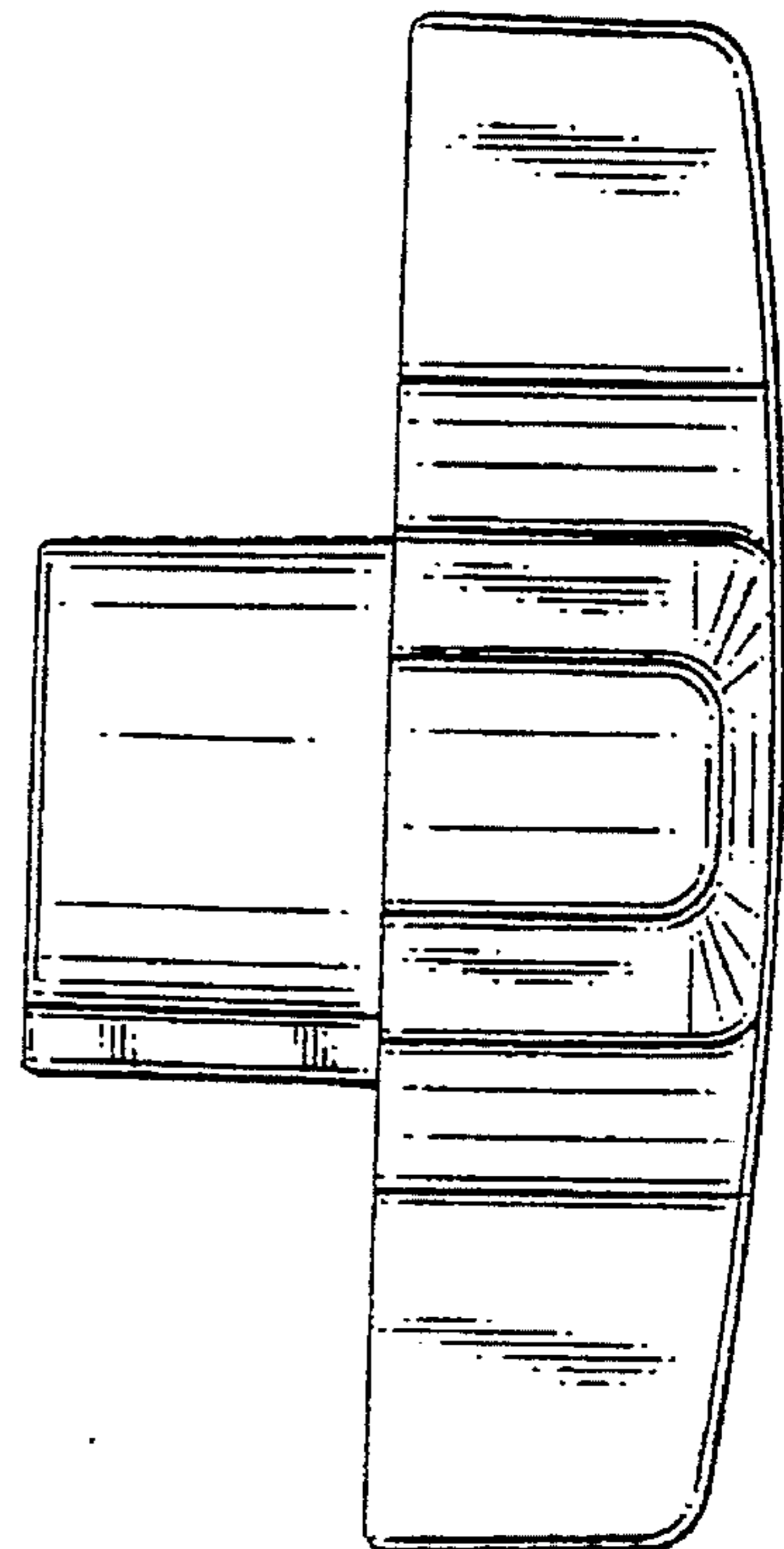
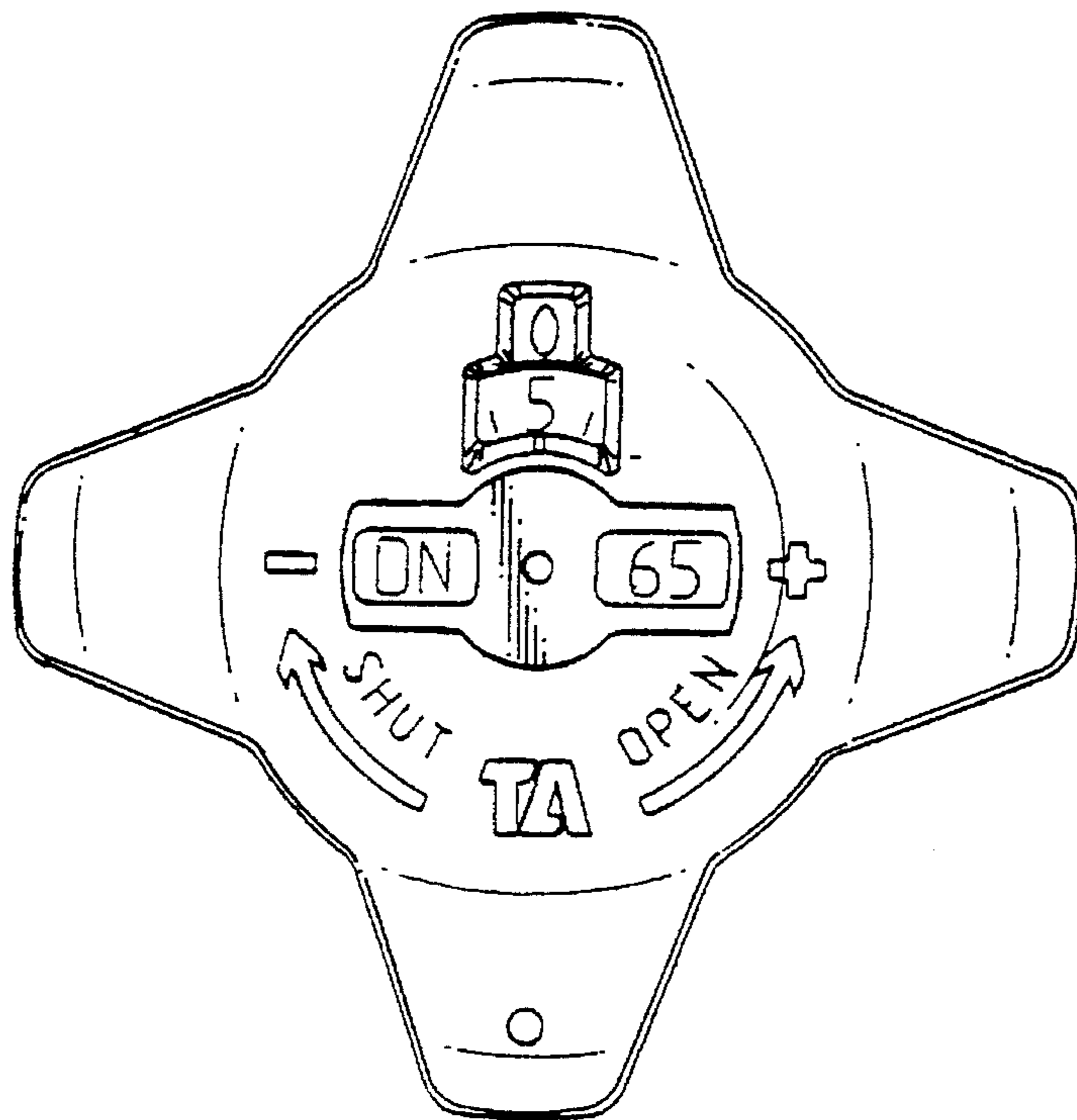


FIG. 1

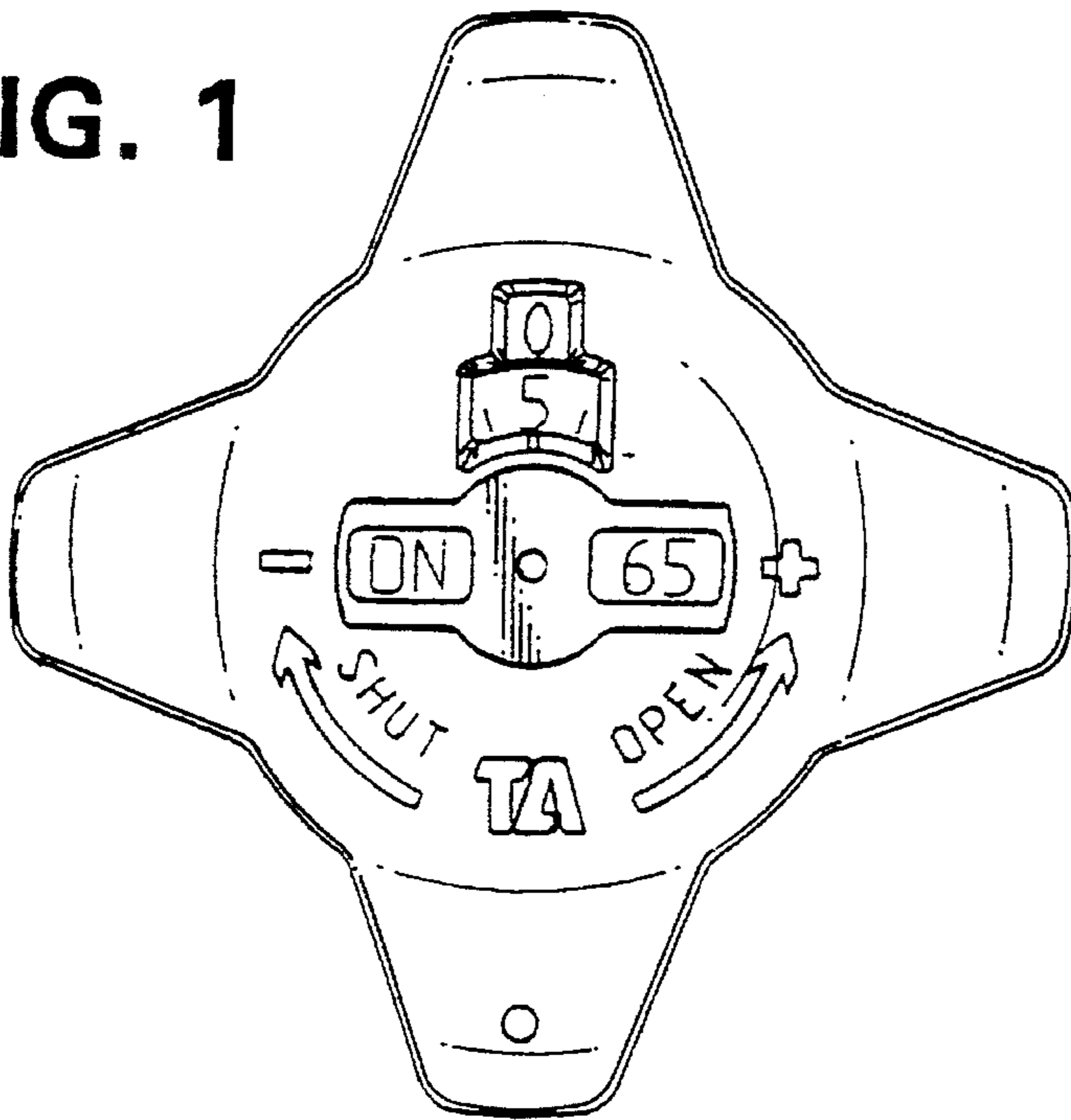


FIG. 3

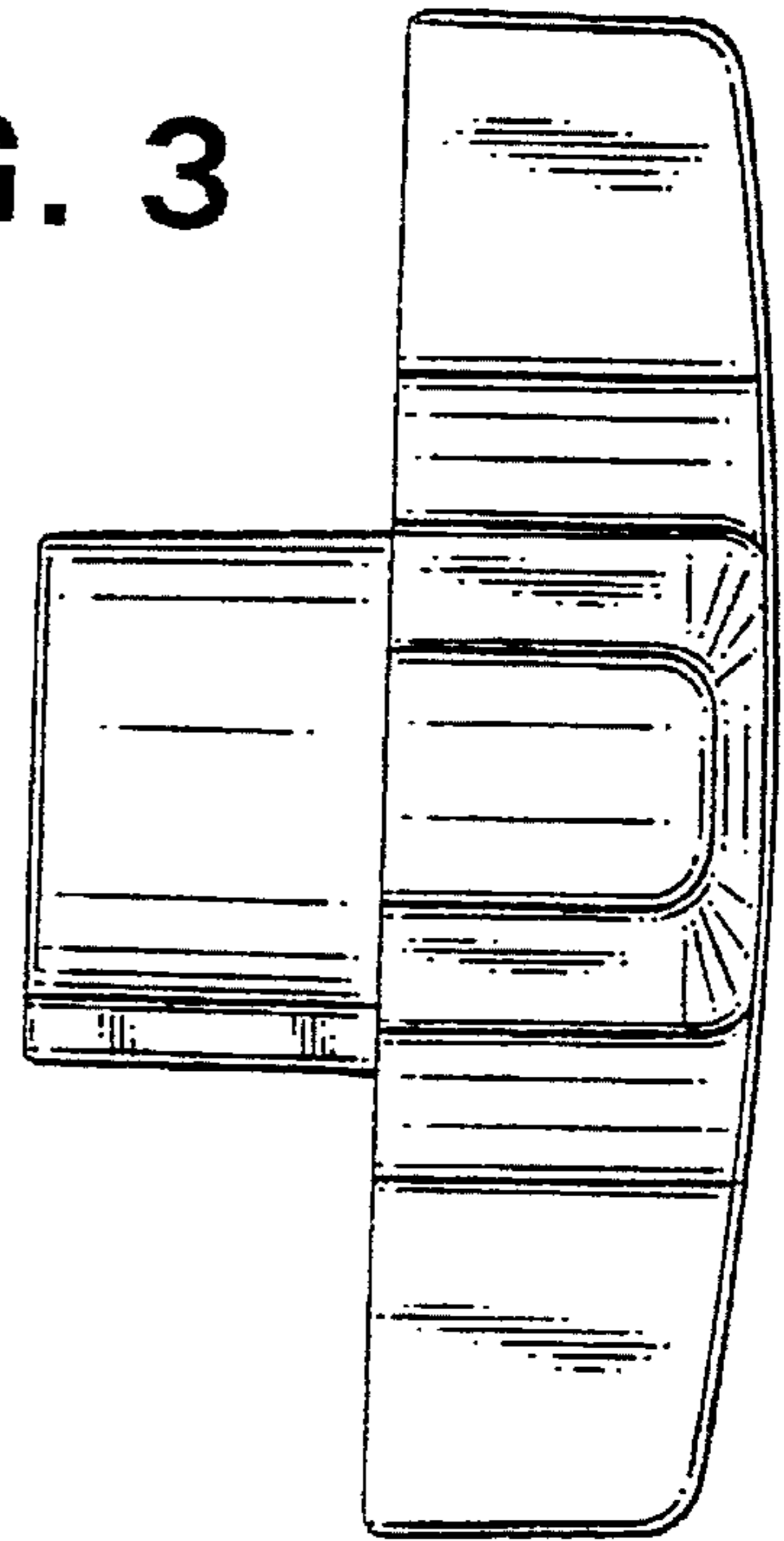
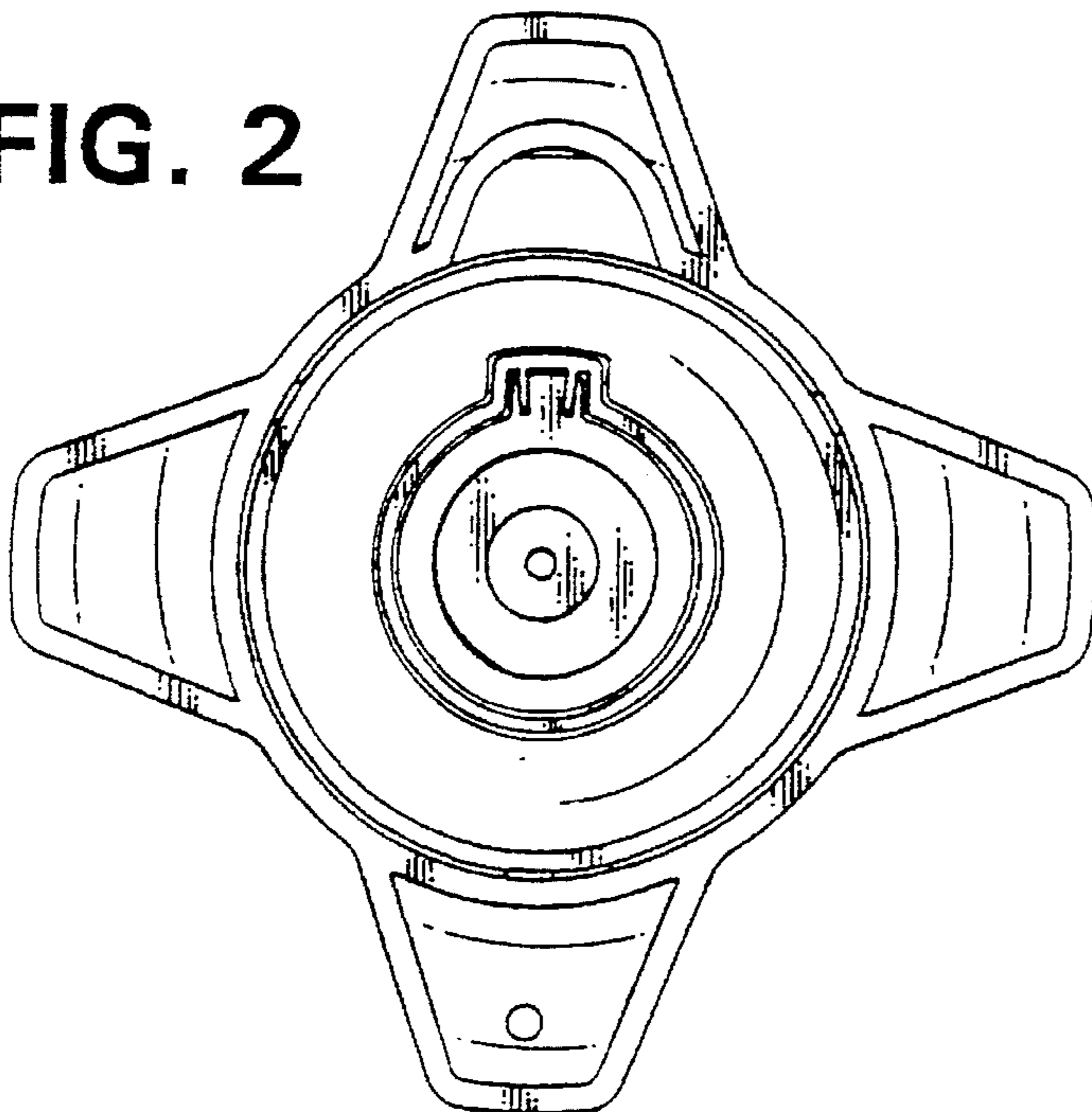


FIG. 2



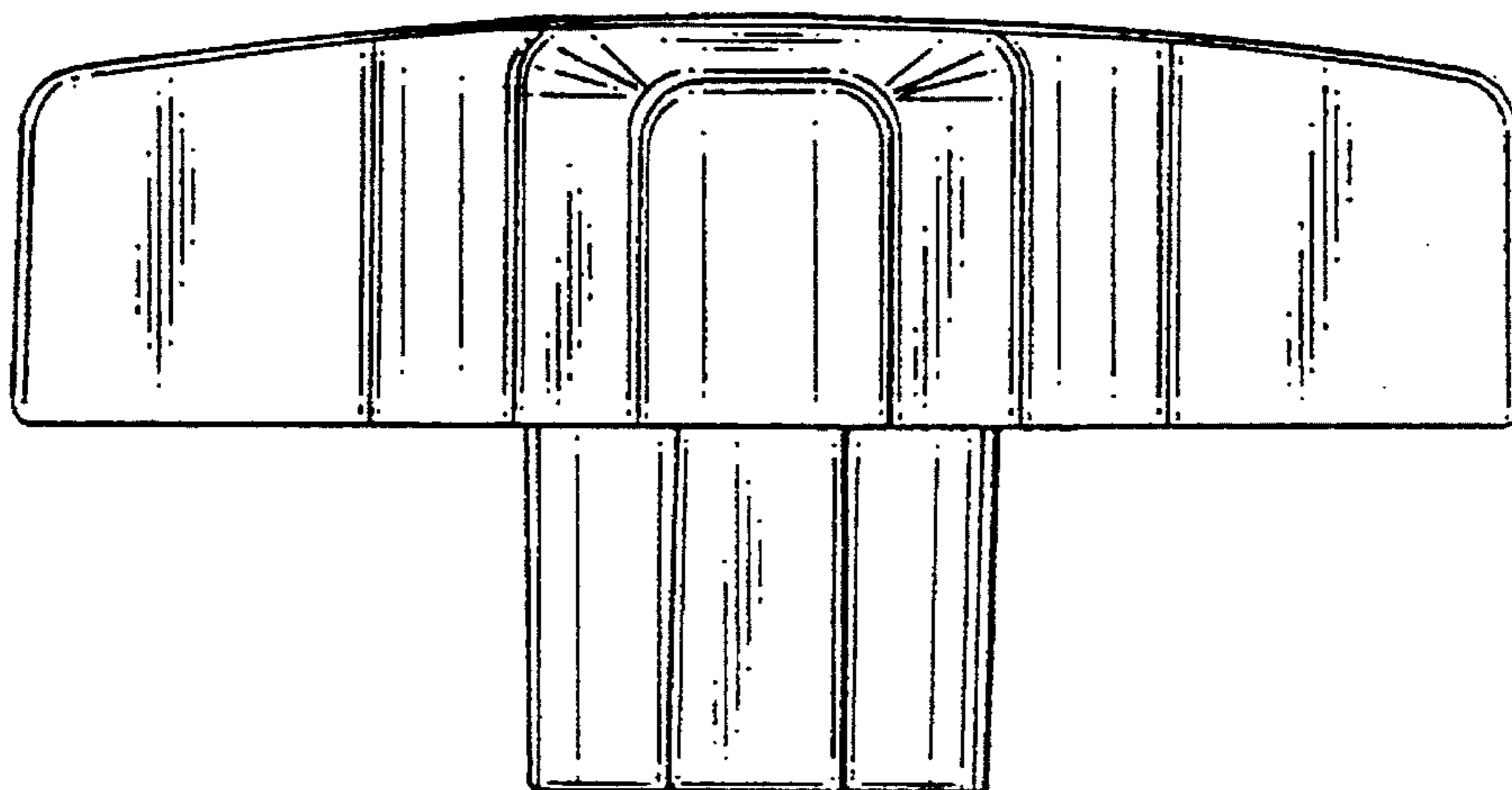


FIG. 4

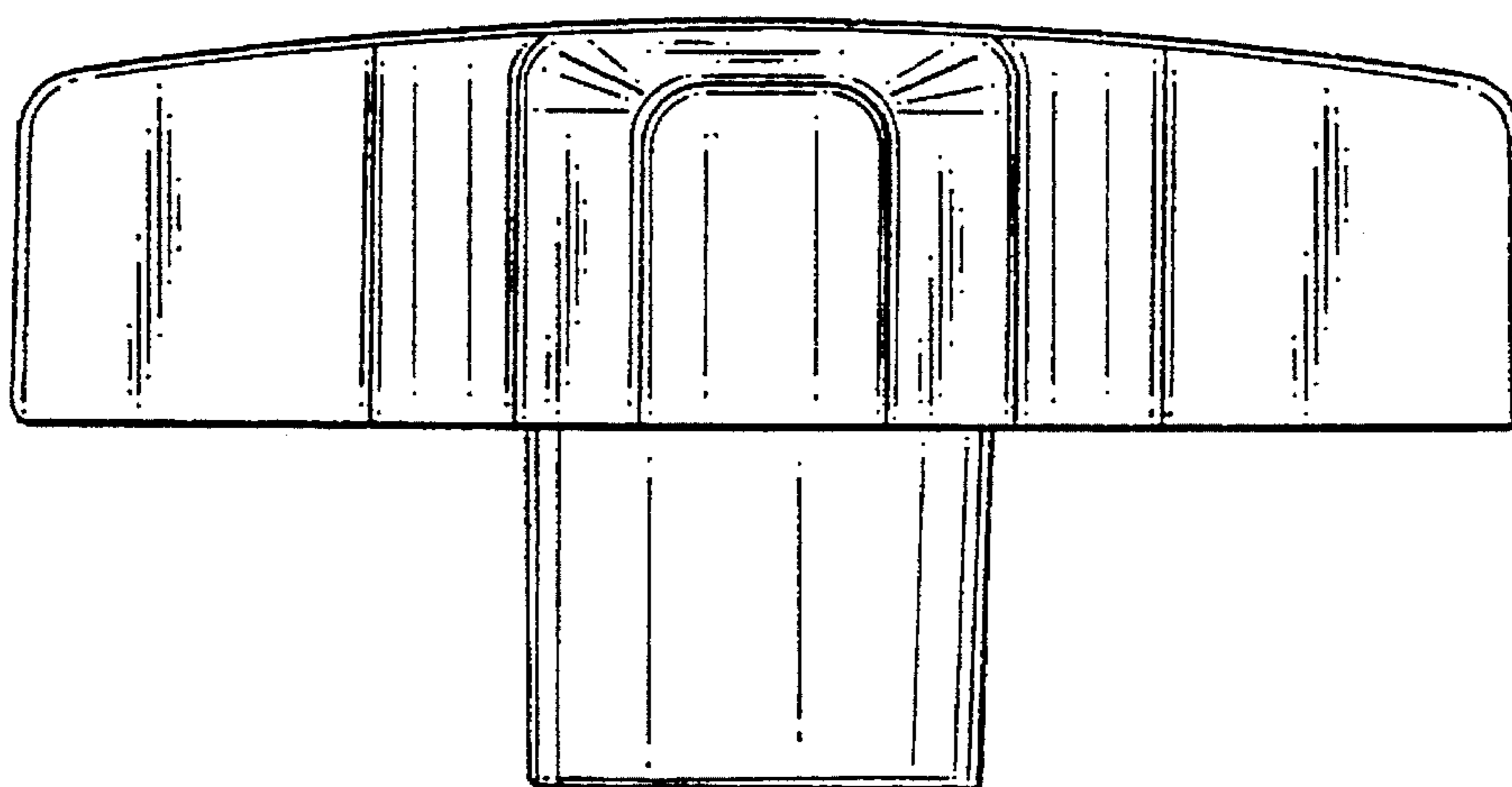


FIG. 5