



US00D365006S

United States Patent [19]

Cheung et al.

[11] Patent Number: **Des. 365,006**

[45] Date of Patent: ****Dec. 12, 1995**

[54] **PNEUMATICALLY POWERED STRAPPING TOOL**

[75] Inventors: **Nelson Cheung**, Hoffman Estates;
Janusz Figiel, Mount Prospect; **Allen D. Sordyl**, Wheeling, all of Ill.

[73] Assignee: **Illinois Tool Works Inc.**, Glenview, Ill.

[**] Term: **14 Years**

[21] Appl. No.: **26,413**

[22] Filed: **Sep. 6, 1994**

[52] U.S. Cl. **D8/67**

[58] Field of Search **D8/44, 67, 65;**
D15/145; 72/292; 81/472; 140/93.4; 254/218

[56] **References Cited**

U.S. PATENT DOCUMENTS

D. 338,214 8/1993 Crittenden et al. D15/145

Primary Examiner—Alan P. Douglas
Assistant Examiner—Robert M. Spear
Attorney, Agent, or Firm—T. W. Buckman; D. J. Breh

[57] **CLAIM**

The ornamental design for a pneumatically powered strapping tool, as shown and described.

DESCRIPTION

FIG. 1 is a rear, right side and top perspective view of a pneumatically powered strapping tool showing our new design;

FIG. 2 is a right side elevational view thereof;

FIG. 3 is a rear elevational view thereof;

FIG. 4 is a left side elevational view thereof;

FIG. 5 is a front elevational view thereof;

FIG. 6 is a top plan view thereof; and,

FIG. 7 is a bottom plan view thereof.

1 Claim, 7 Drawing Sheets

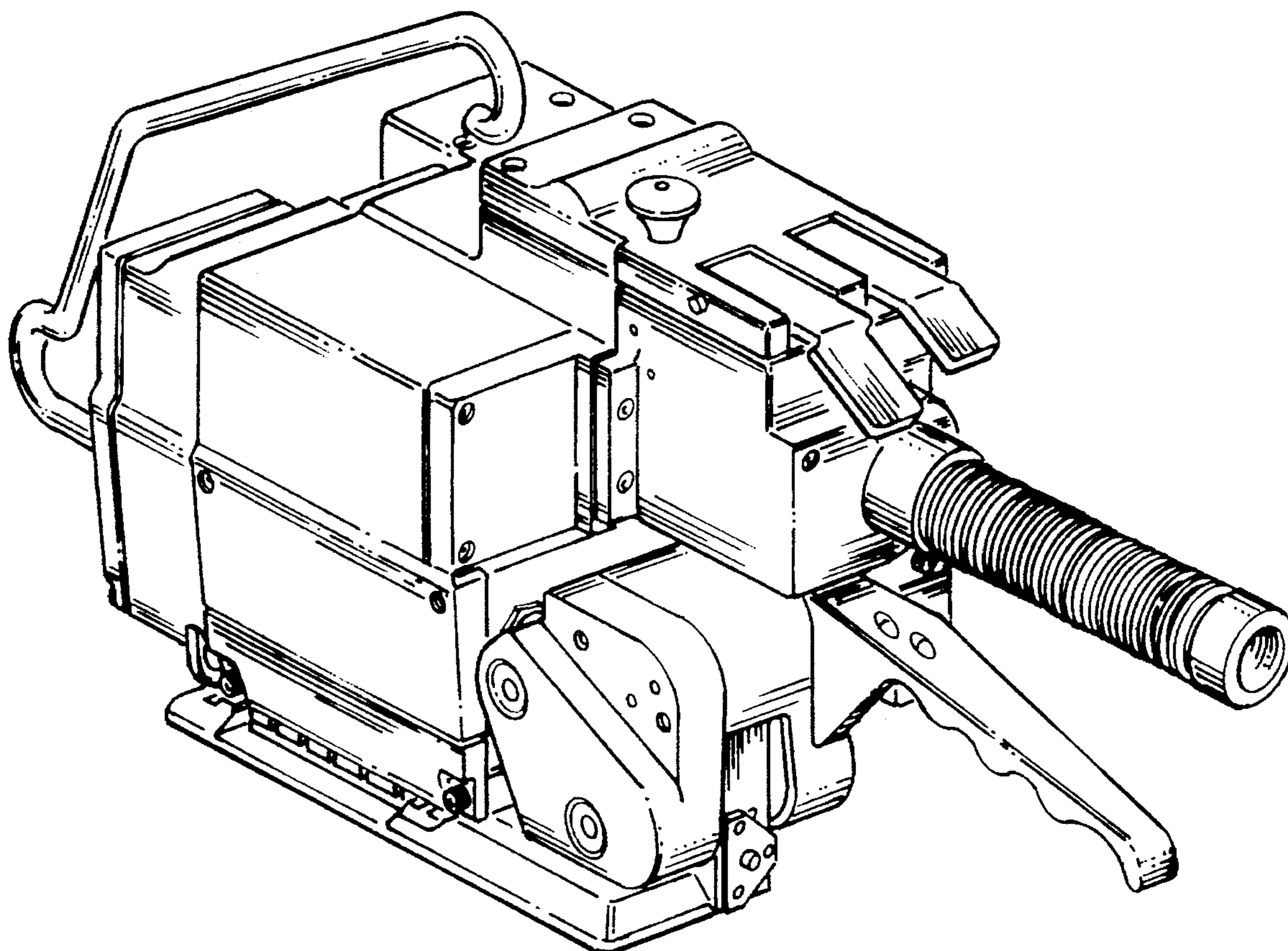
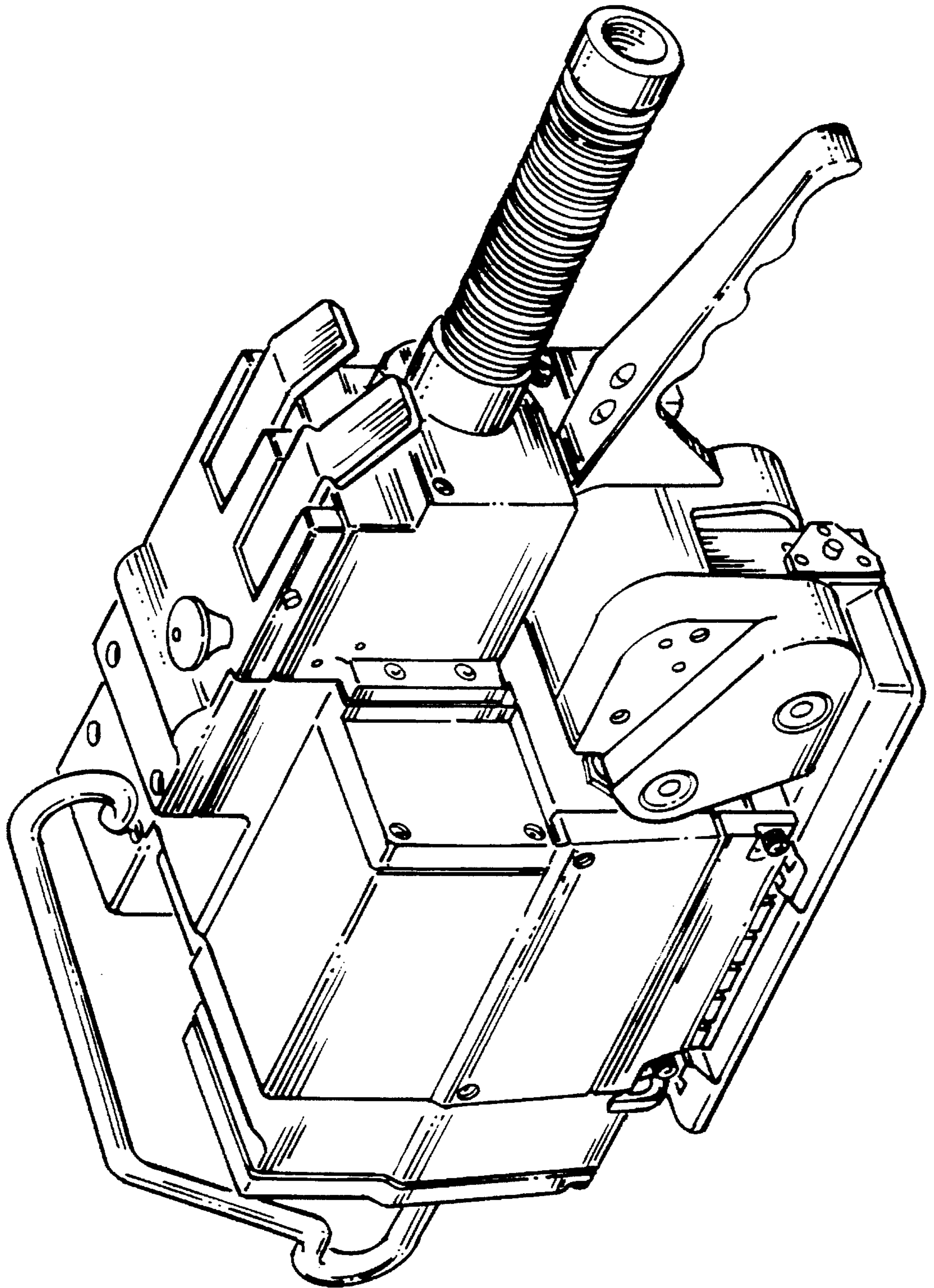


FIG. 1



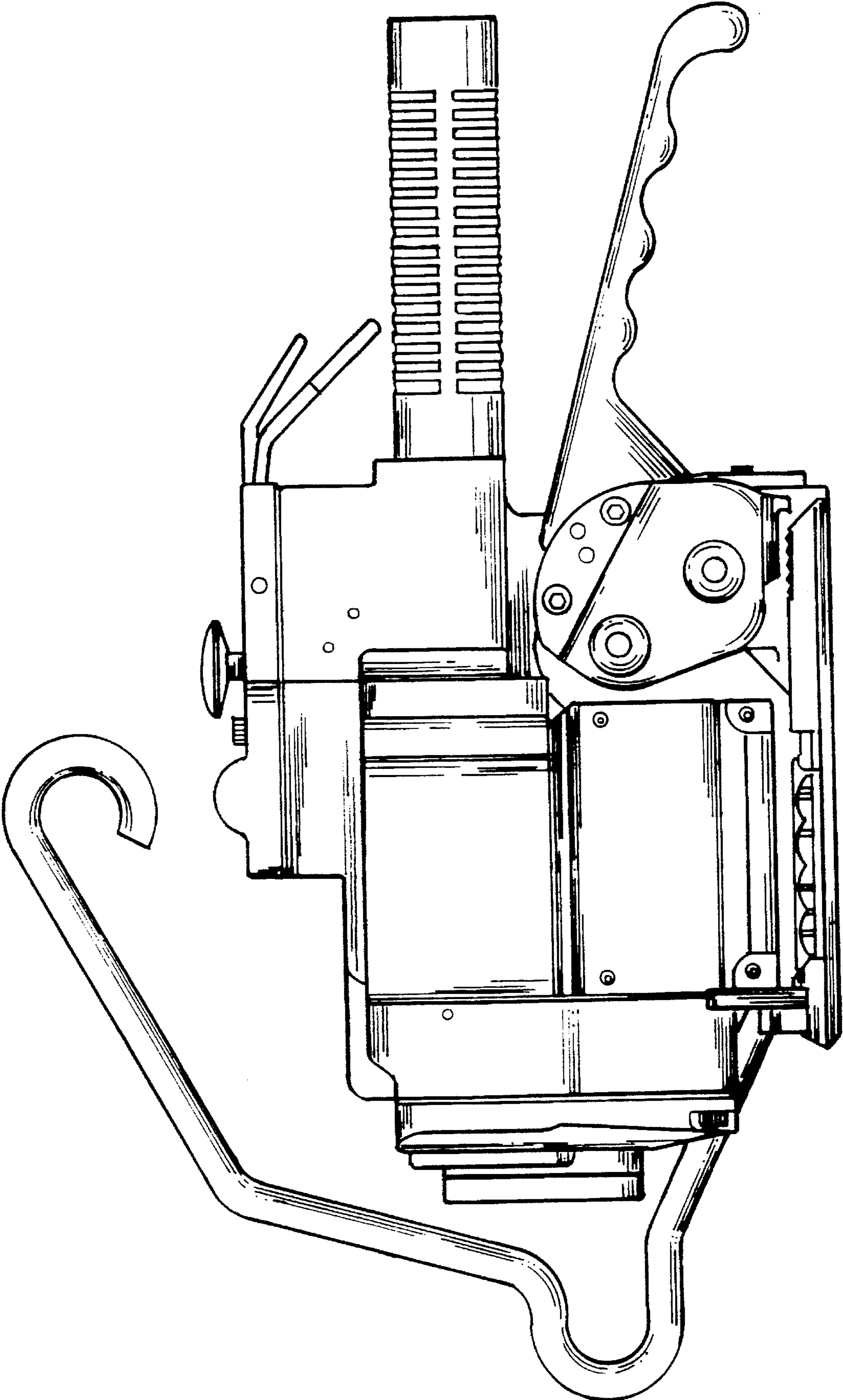
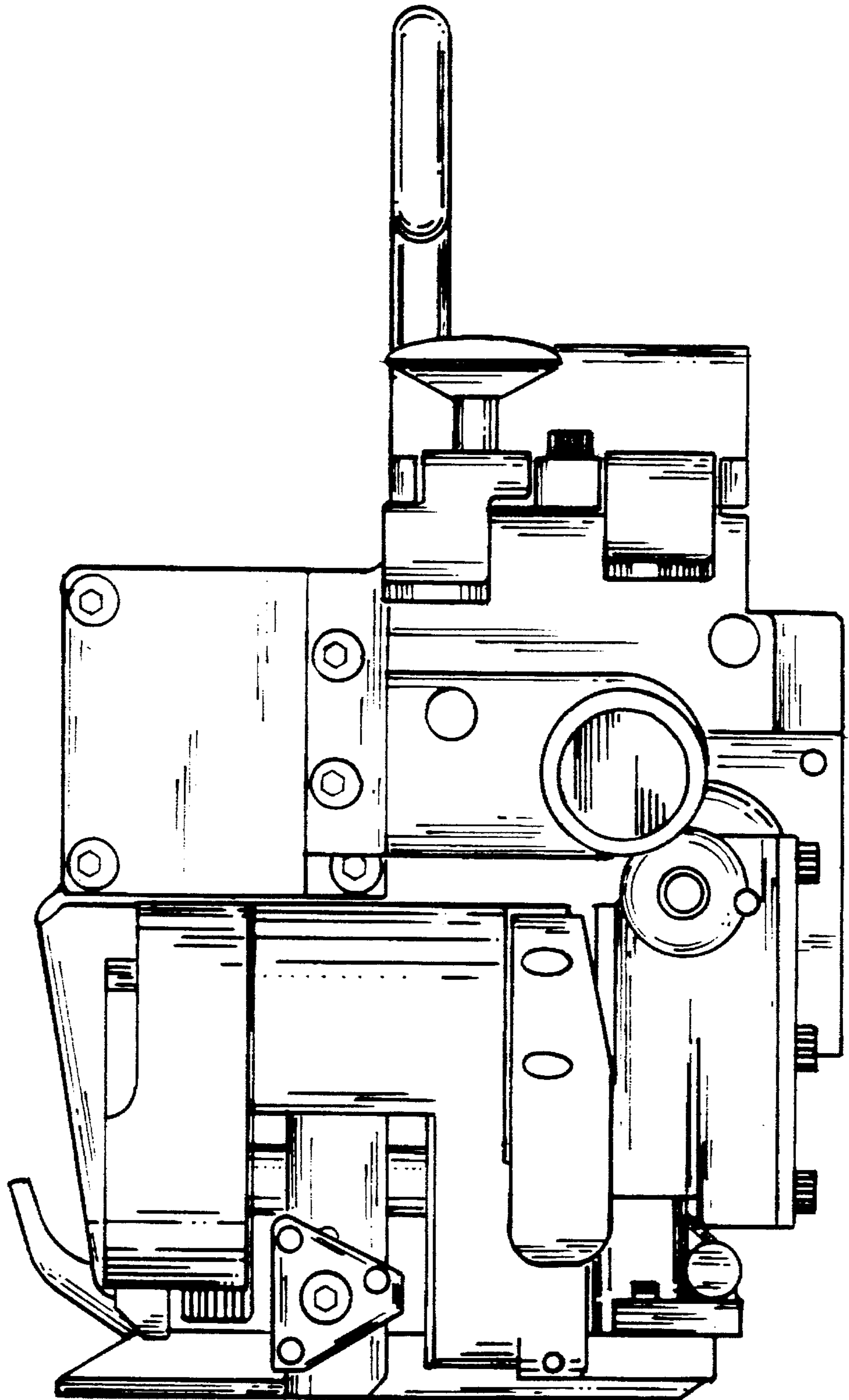


FIG. 2

FIG. 3



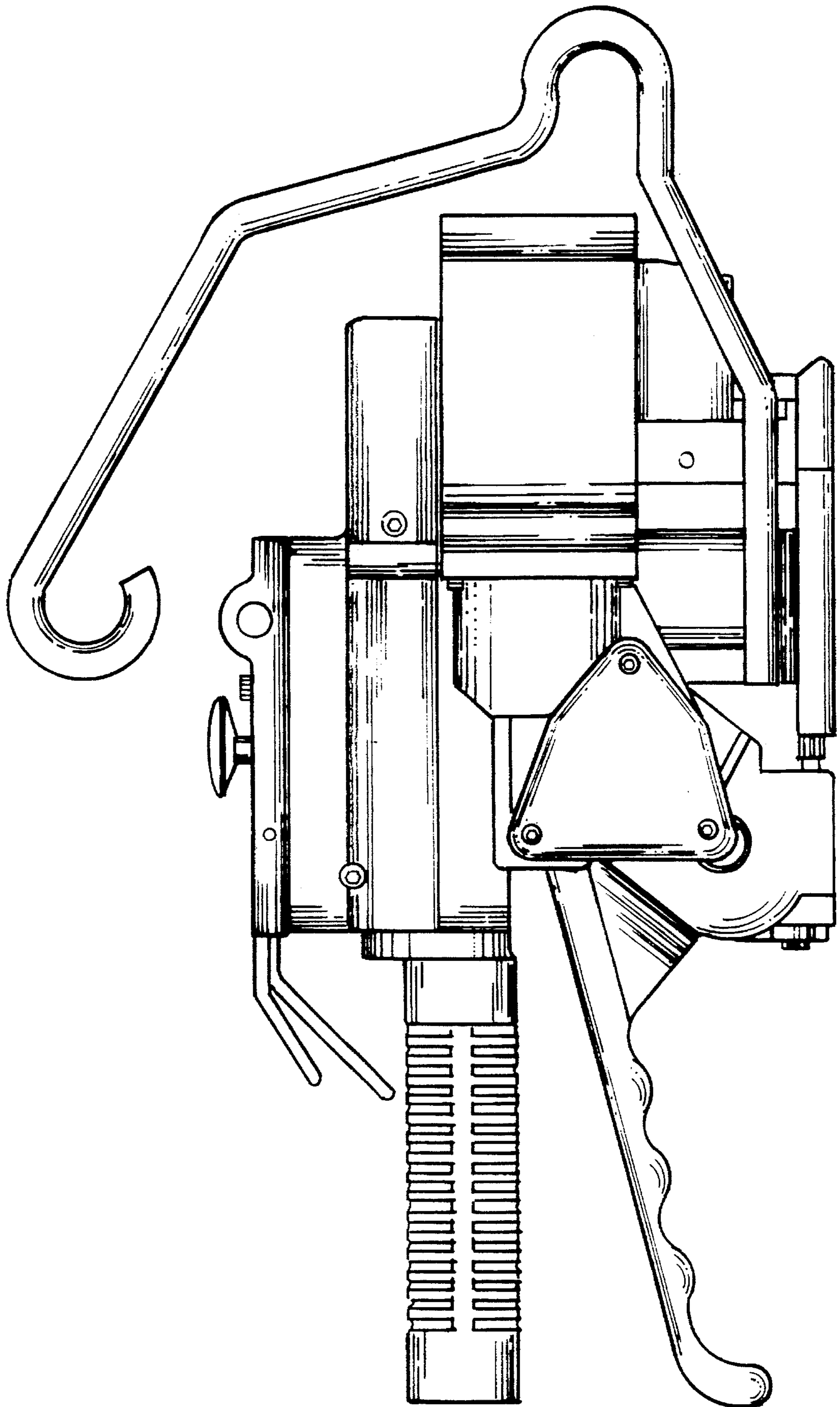


FIG. 4

FIG. 5

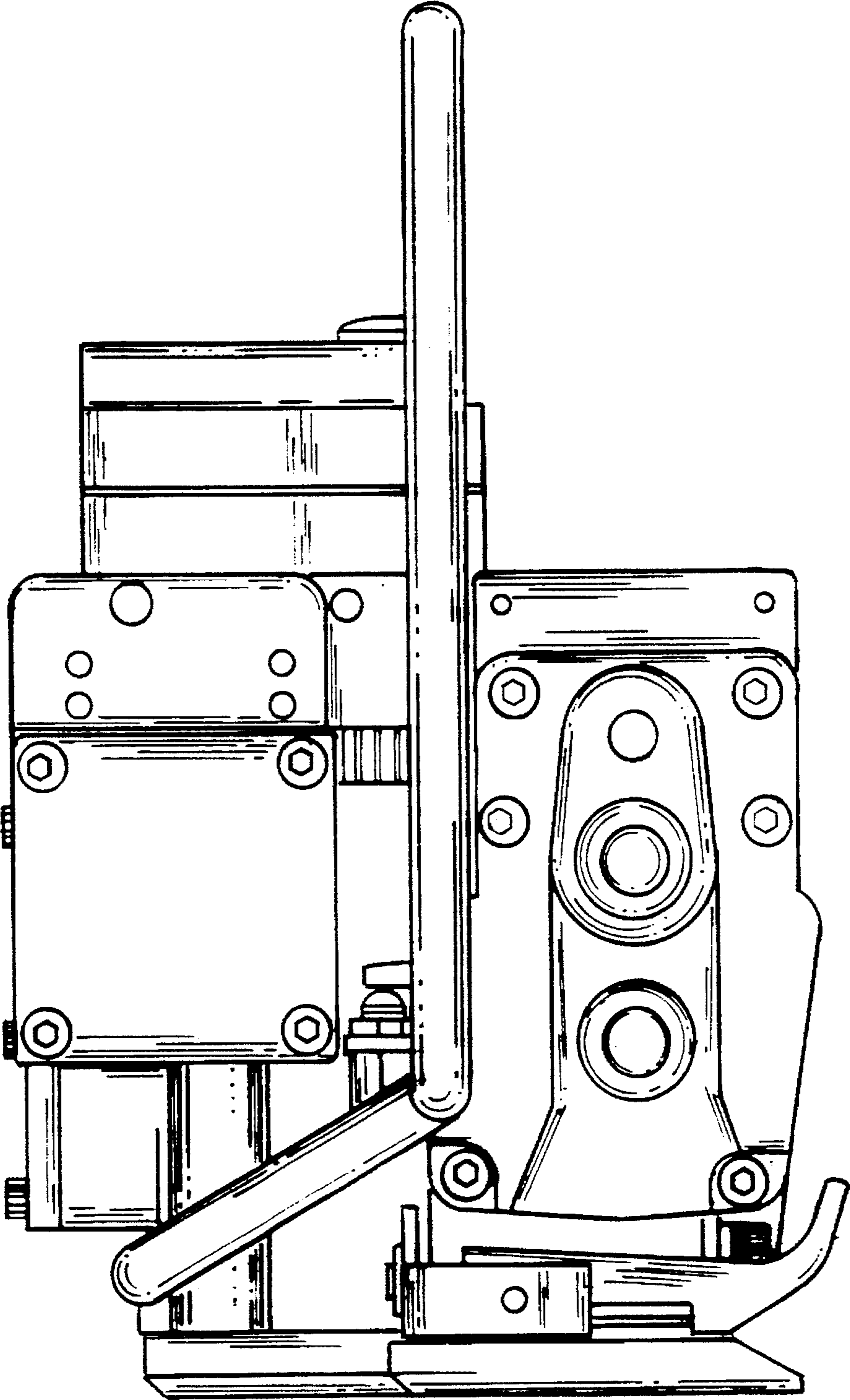


FIG. 6

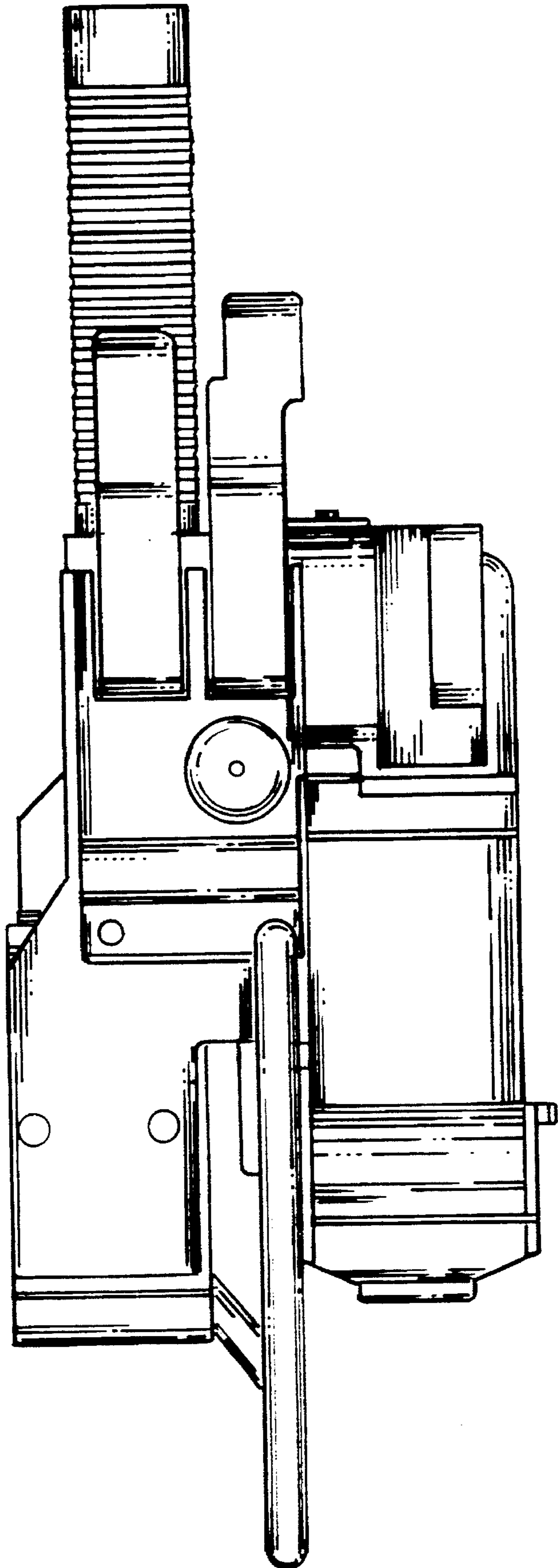


FIG. 7

