



US00D365002S

United States Patent [19]

[11] Patent Number: **Des. 365,002**

Werner

[45] Date of Patent: ****Dec. 12, 1995**

[54] **SHEET ROCK CORNER BEAD CRIMPING TOOL**

4,893,493 1/1990 Jacques et al. 29/243.5
4,989,438 2/1991 Simon 72/325

[75] Inventor: **Theodore J. Werner**, Dix Hills, N.Y.

Primary Examiner—Ted Shooman
Assistant Examiner—Richelle Shelton
Attorney, Agent, or Firm—Charles E. Baxley

[73] Assignee: **United States Marketing Corporation**,
Huntington Station, N.Y.

[**] Term: **14 Years**

[57] **CLAIM**

The ornamental design for a sheet rock corner bead crimping tool, as shown and described.

[21] Appl. No.: **19,252**

[22] Filed: **Feb. 25, 1994**

DESCRIPTION

[52] U.S. Cl. **D8/51; D10/70**

FIG. 1 perspective view of a sheet rock corner bead crimping tool showing my new design;

[58] Field of Search D8/51; D10/70;
30/358; 72/325, 326; 29/243.5

FIG. 2 is a right side elevational view thereof; the left side being identical thereto;

[56] **References Cited**

U.S. PATENT DOCUMENTS

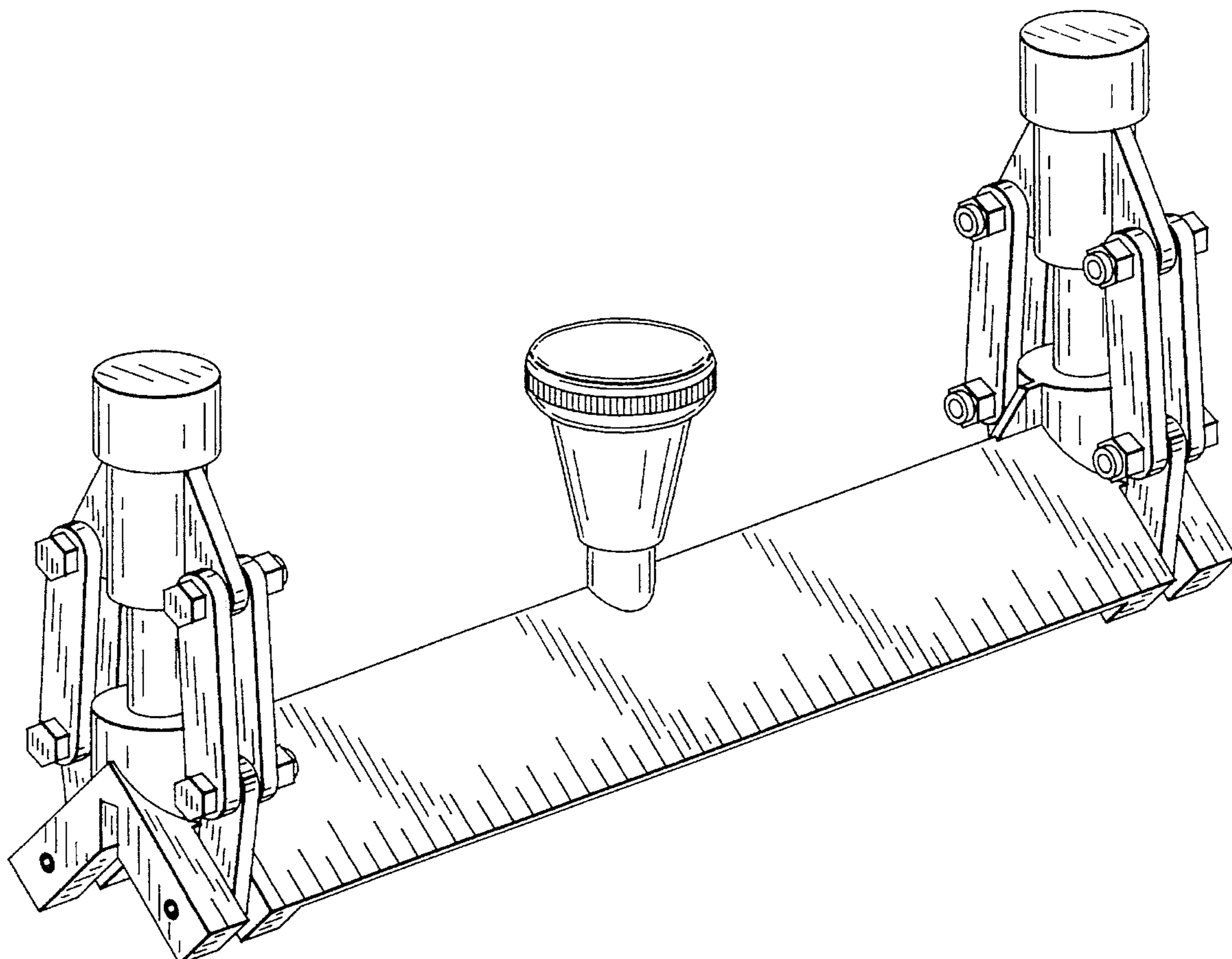
2,859,445	11/1958	Larrabee	72/325
3,170,162	2/1965	Balinski	72/325
4,593,443	6/1986	Wolford	29/243.5
4,670,957	6/1987	Wolford	29/243.5

FIG. 3 is a front elevational view thereof; the rear elevational view being identical thereto;

FIG. 4 is a top plan view thereof; and,

FIG. 5 is a bottom plan view thereof.

1 Claim, 3 Drawing Sheets



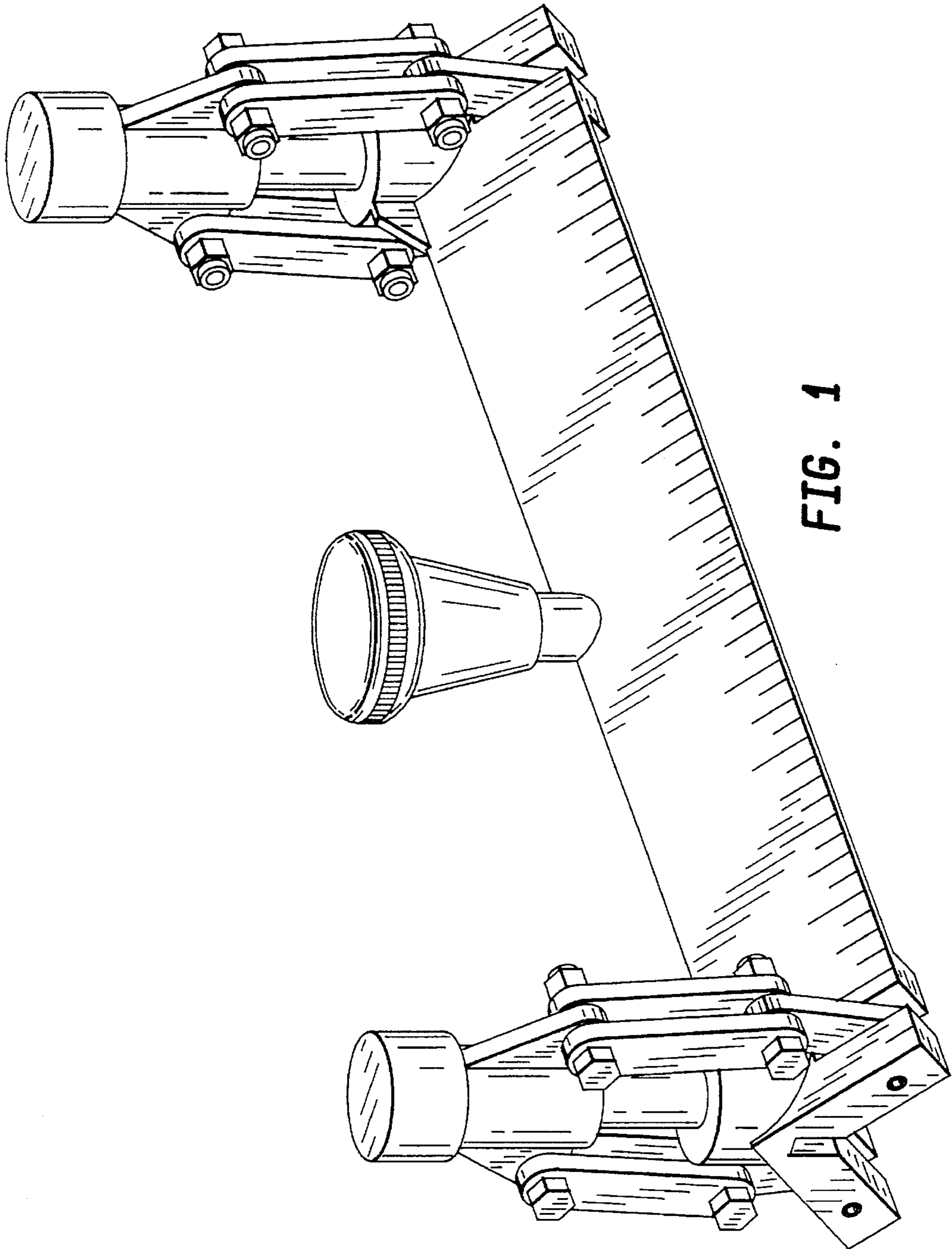


FIG. 1

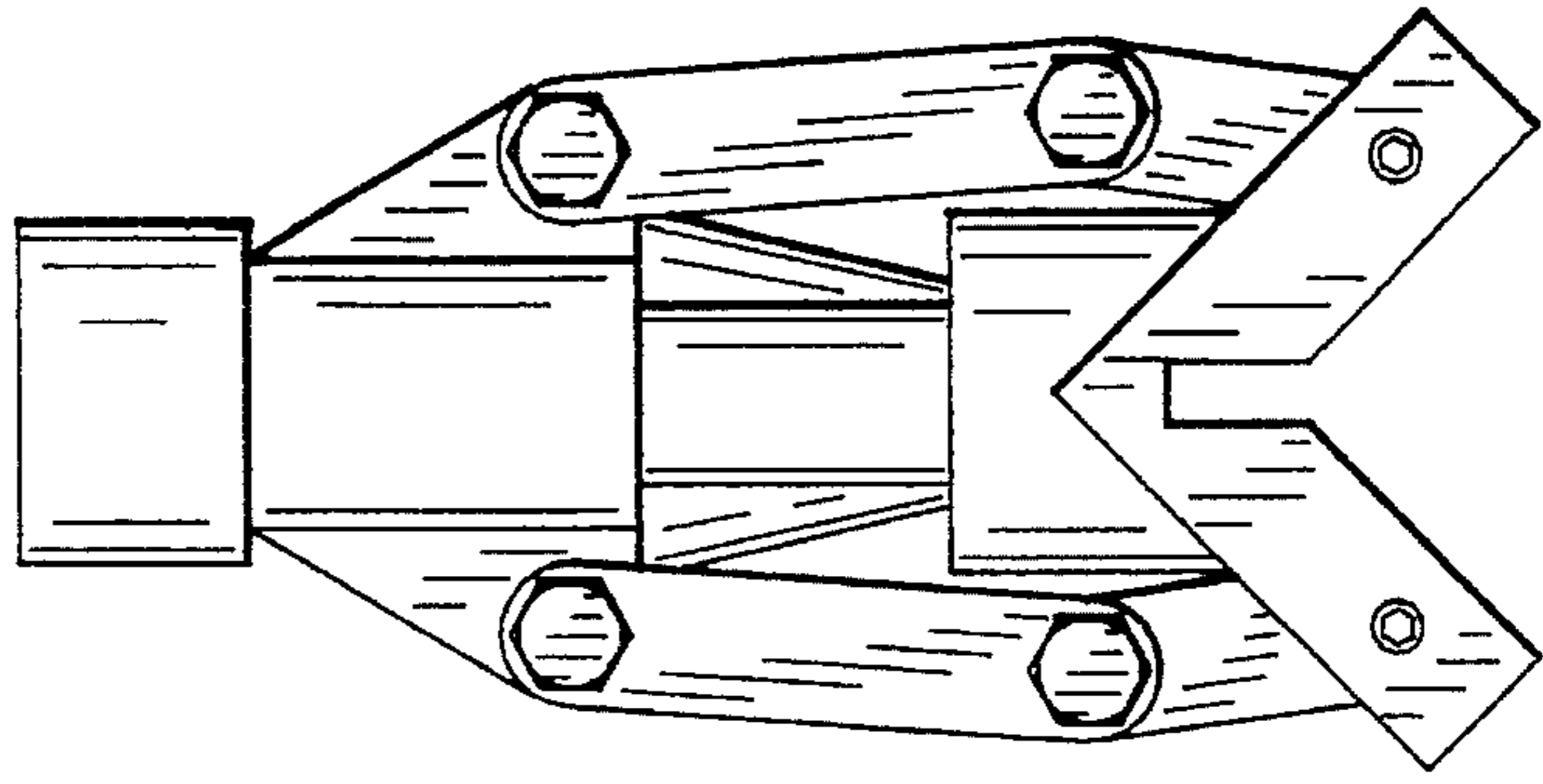


FIG. 2

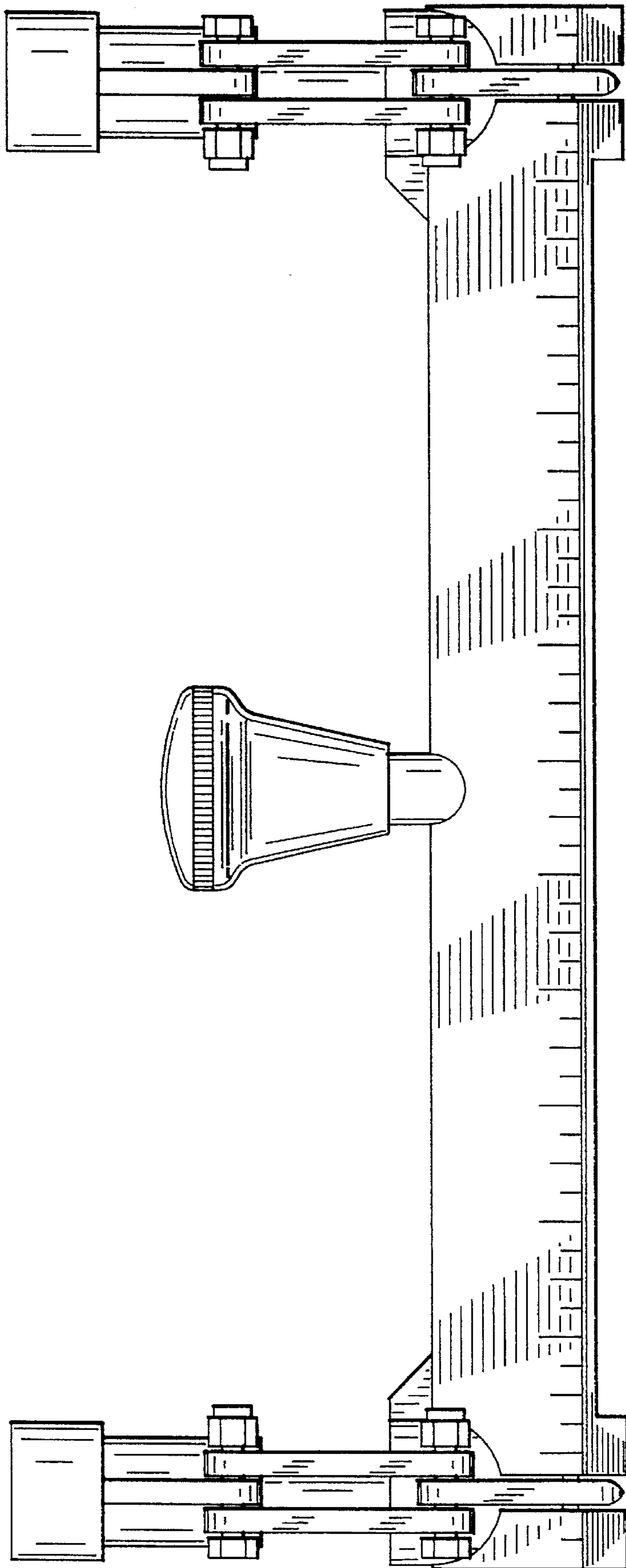


FIG. 3

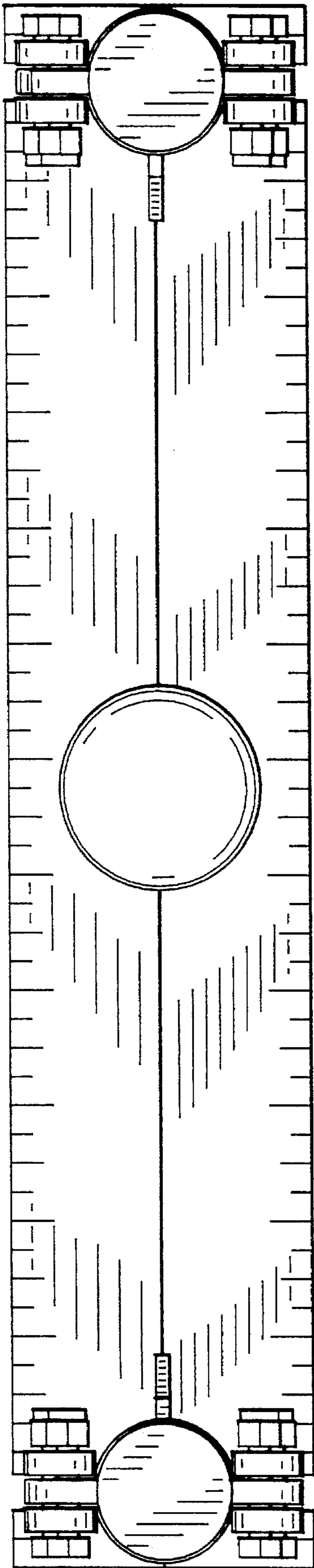


FIG. 4

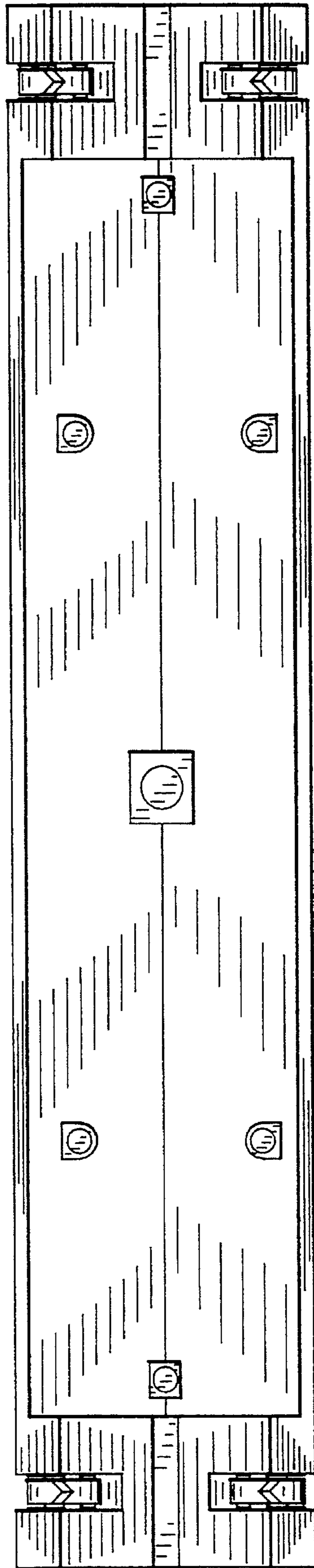


FIG. 5