



US00D365001S

# United States Patent [19]

[11] **Patent Number: Des. 365,001**

**Stewart**

[45] **Date of Patent: \*\*Dec. 12, 1995**

[54] **TROWEL**

756,771	9/1969	Pietila .....	15/235.4 X
1,297,541	3/1919	Campbell .....	15/235.4
3,608,944	9/1971	Turner .....	D8/45

[76] Inventor: **John N. Stewart**, 34 Lowanna Drive, Ashmore, Queensland, Australia

[\*\*] Term: **14 Years**

*Primary Examiner*—A. Hugo Word  
*Assistant Examiner*—Holly Baynham  
*Attorney, Agent, or Firm*—Kimmel, Crowell & Weaver

[21] Appl. No.: **31,251**

[57] **CLAIM**

[22] Filed: **Nov. 18, 1994**

The ornamental design for a trowel, as shown and described.

[30] **Foreign Application Priority Data**

**DESCRIPTION**

May 20, 1994 [AU] Australia ..... 1569/94

[52] U.S. Cl. .... **D8/45**

[58] Field of Search ..... D8/10, 45; 294/49, 294/7; 15/235.4

FIG. 1 is a perspective view of a trowel showing my new design;

FIG. 2 is a front elevational view thereof, the opposite elevational view being a mirror image;

FIG. 3 is a right side elevational view thereof;

FIG. 4 is a left side elevational view thereof;

FIG. 5 is a top plan view thereof; and,

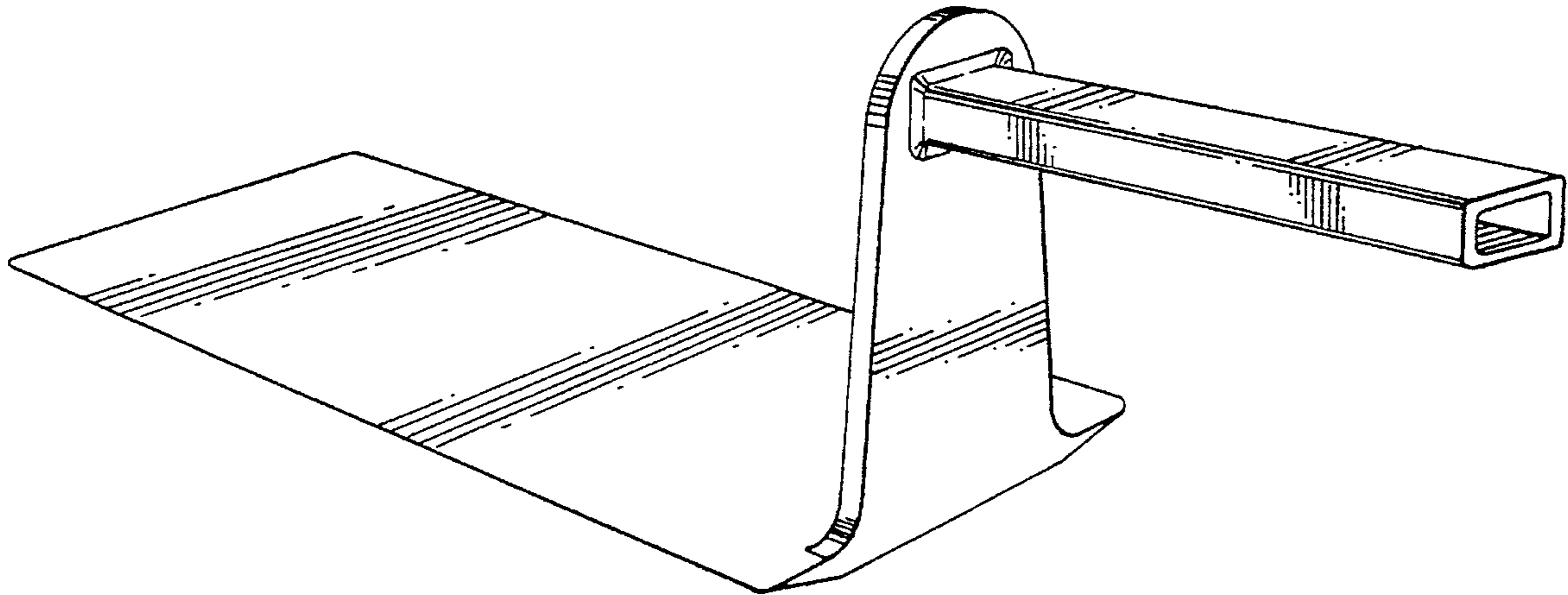
FIG. 6 is a bottom plan view thereof.

[56] **References Cited**

**U.S. PATENT DOCUMENTS**

D. 278,966	5/1985	Anaya .....	D8/45
D. 303,484	9/1989	Stanart .....	D8/10

**1 Claim, 3 Drawing Sheets**



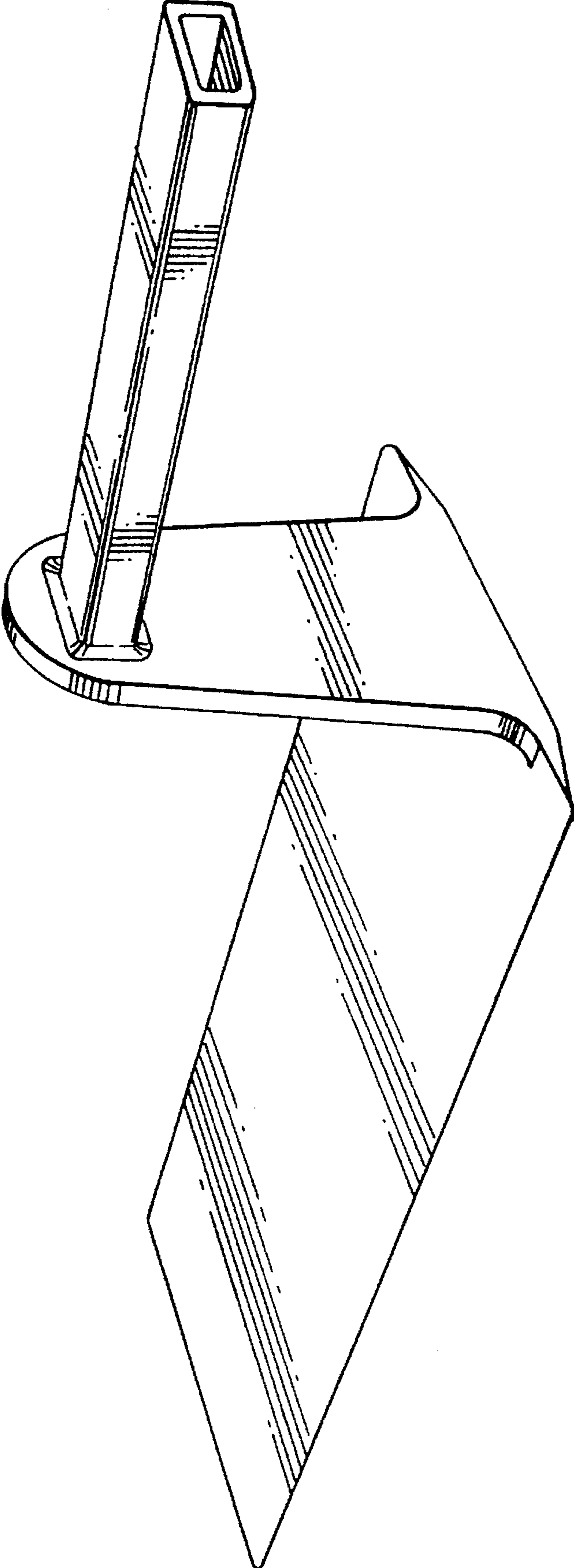


FIG. 1

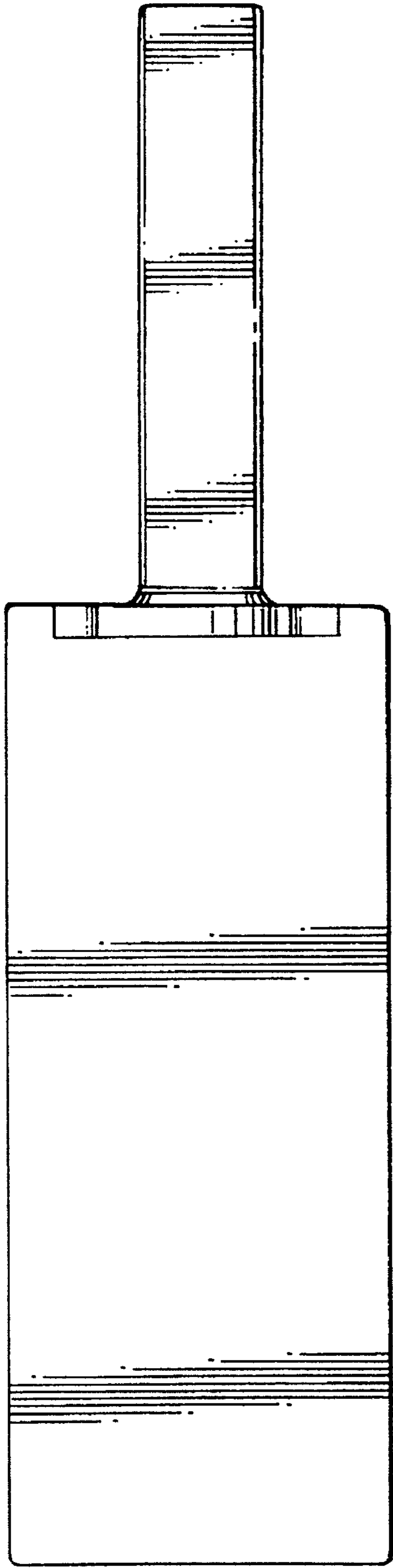


FIG. 5

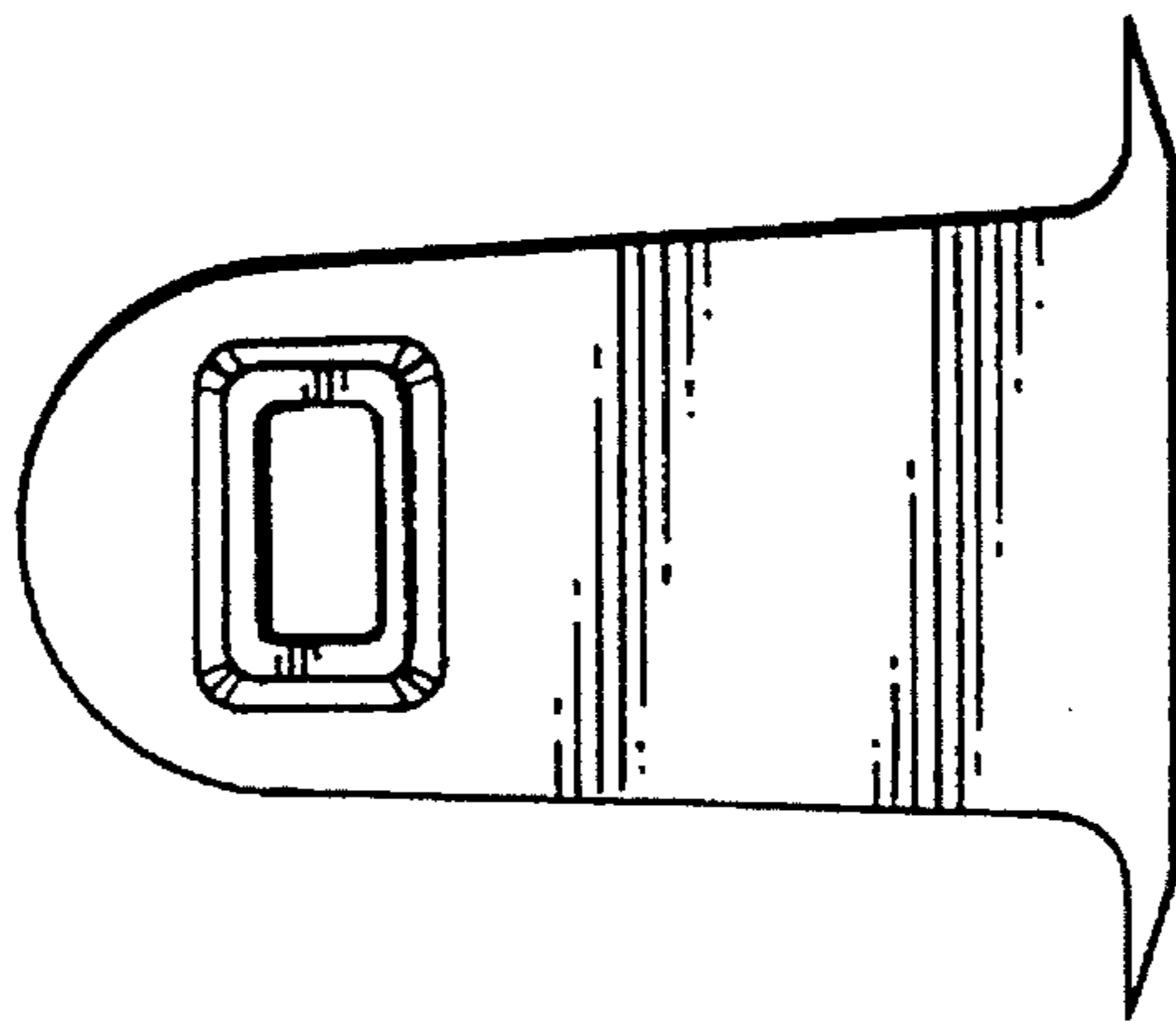


FIG. 3

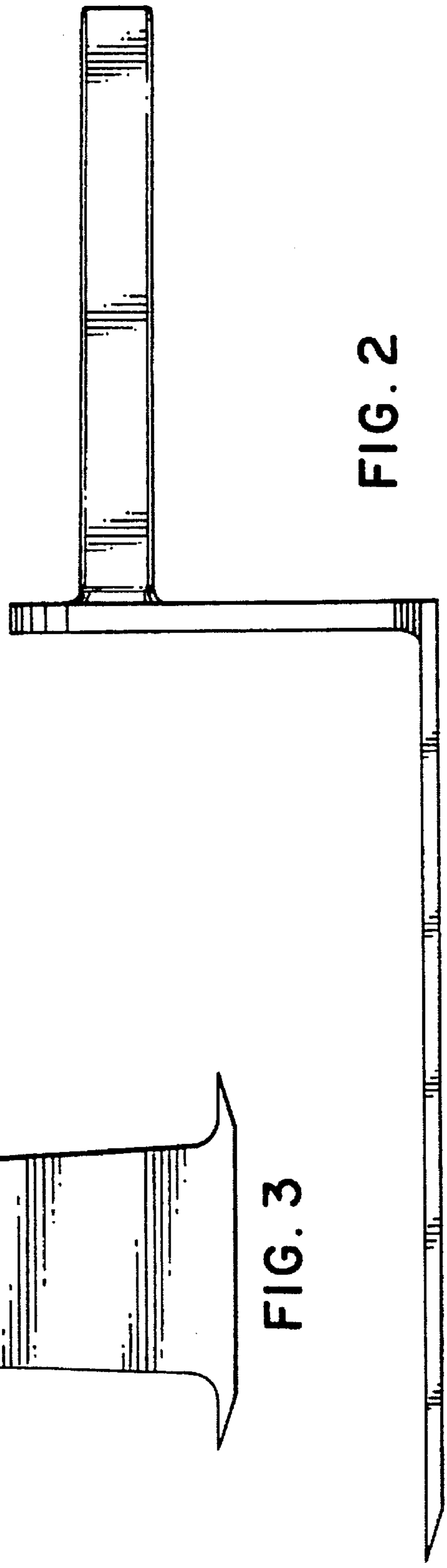


FIG. 2

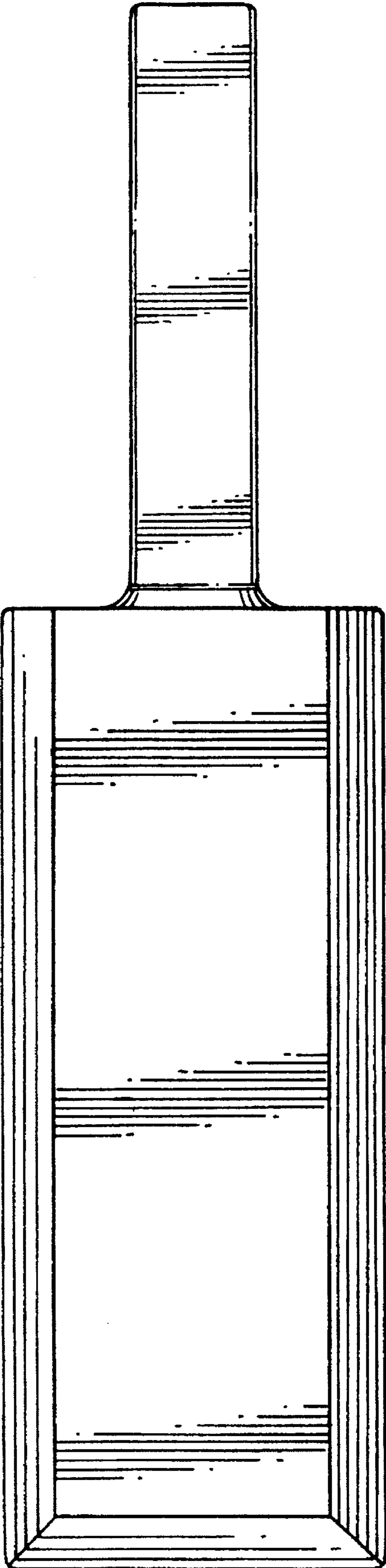


FIG. 6

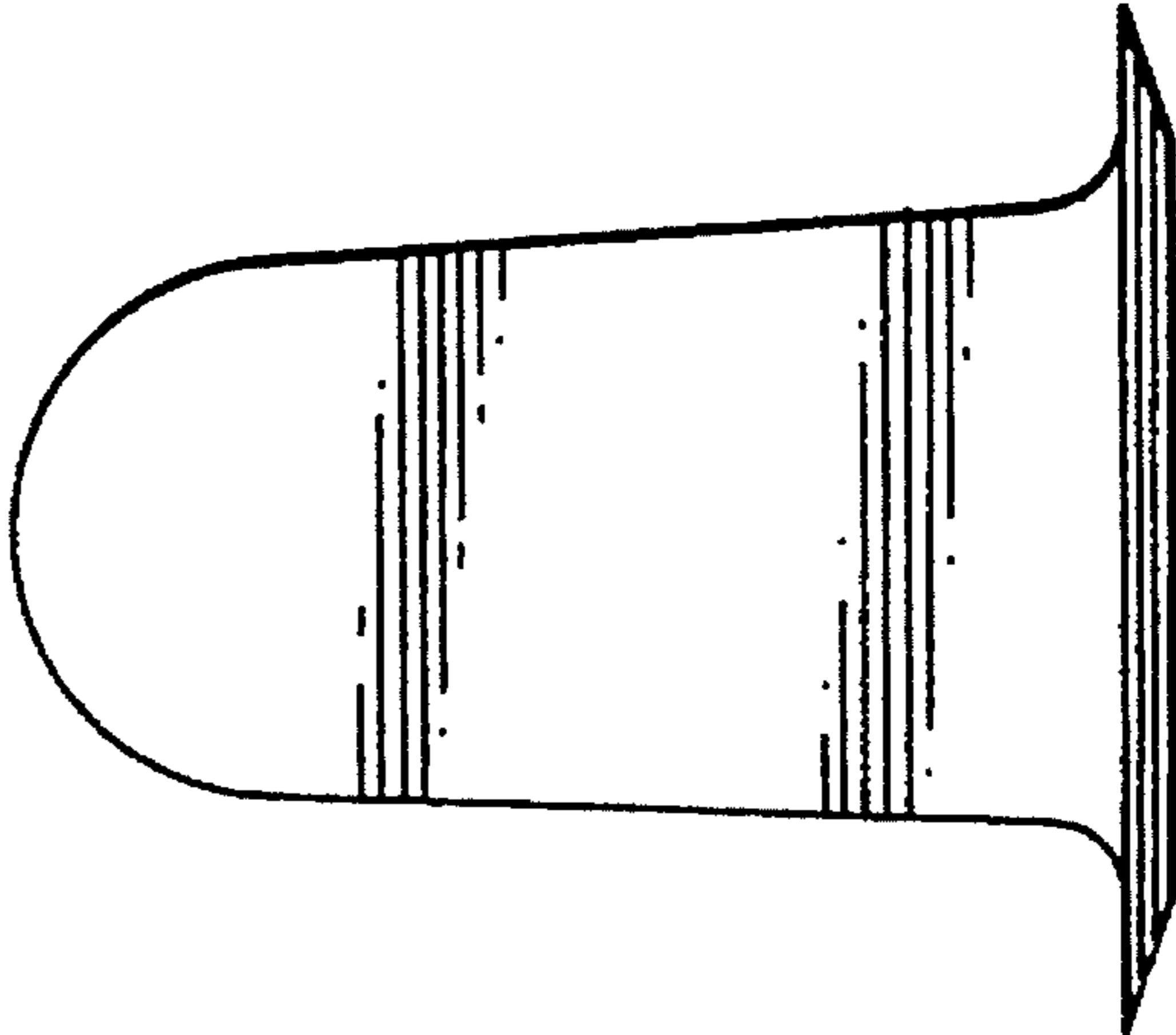


FIG. 4