



US00D365000S

United States Patent [19]
Chung

[11] **Patent Number: Des. 365,000**

[45] **Date of Patent: **Dec. 12, 1995**

[54] **TREE BRANCH AND LEAF CUTTER**

[76] Inventor: **Lee H. Chung**, No. 218, Shang san cho
woo, Wuchang-li, Chungli City, T'ao
Yuan Hsien, Taiwan

[**] Term: **14 Years**

[21] Appl. No.: **31,548**

[22] Filed: **Nov. 18, 1994**

[52] U.S. Cl. **D8/1**

[58] Field of Search **D8/1; 241/101.7,**
241/55; 56/16.9

[56] **References Cited**

U.S. PATENT DOCUMENTS

4,477,029	10/1984	Green	241/101.7
4,640,465	2/1987	Schmid	241/101.7 X
4,860,961	8/1989	Hilgarth	241/101.7 X
5,294,063	3/1994	Bote	241/101.7

Primary Examiner—A. Hugo Word
Assistant Examiner—Holly Baynham
Attorney, Agent, or Firm—Steven M. Rabin; Allen Wood

[57] **CLAIM**

The ornamental design for the tree branch and leaf cutter, as shown and described.

DESCRIPTION

FIG. 1 is a perspective view of a tree branch and leaf cutter showing my new design;
FIG. 2 is a front elevational view thereof;
FIG. 3 is a rear elevational view thereof;
FIG. 4 is a left side elevational view thereof;
FIG. 5 is a right side elevational view thereof;
FIG. 6 is a top view thereof; and,
FIG. 7 is a bottom view thereof.

1 Claim, 4 Drawing Sheets

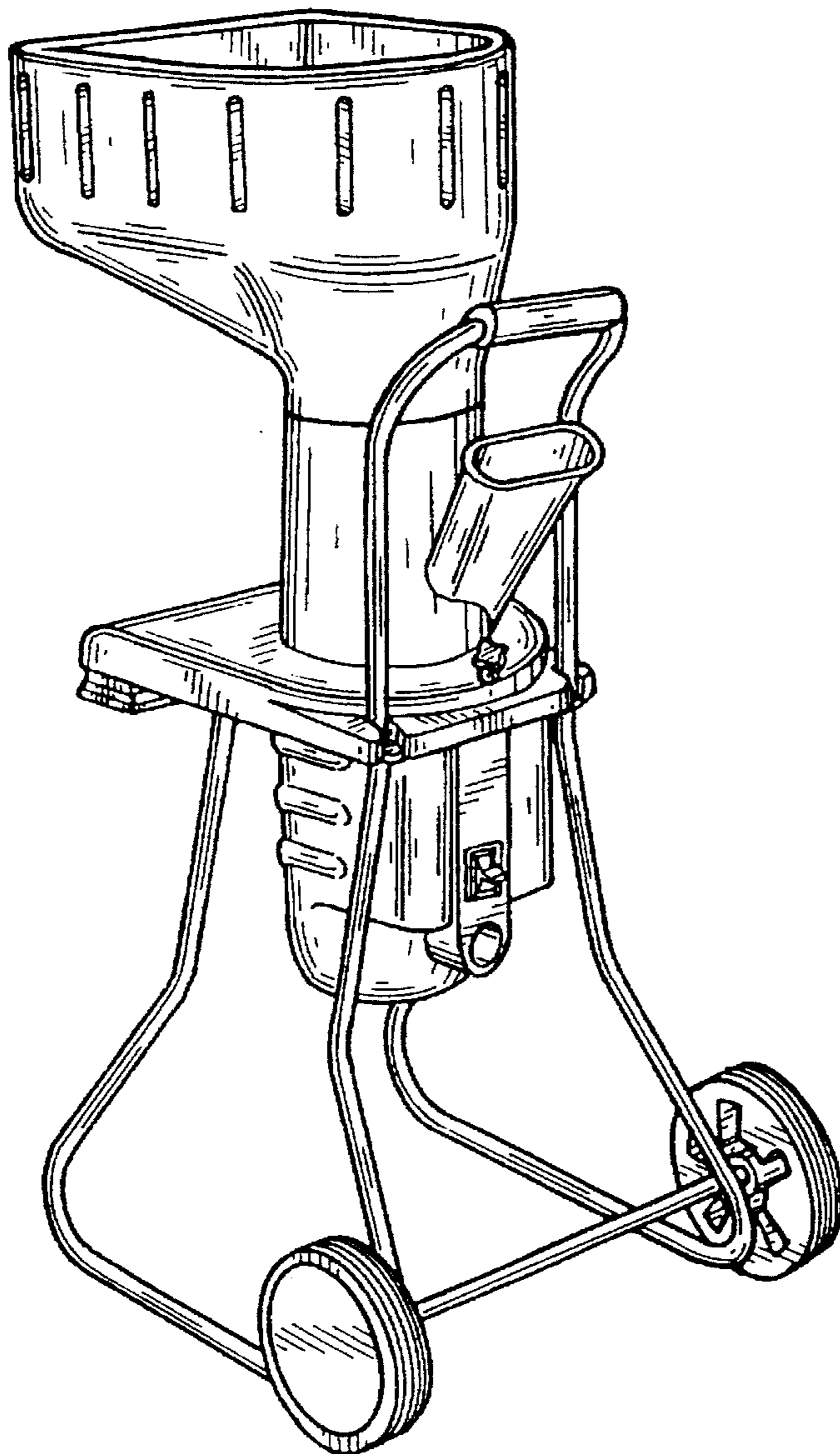
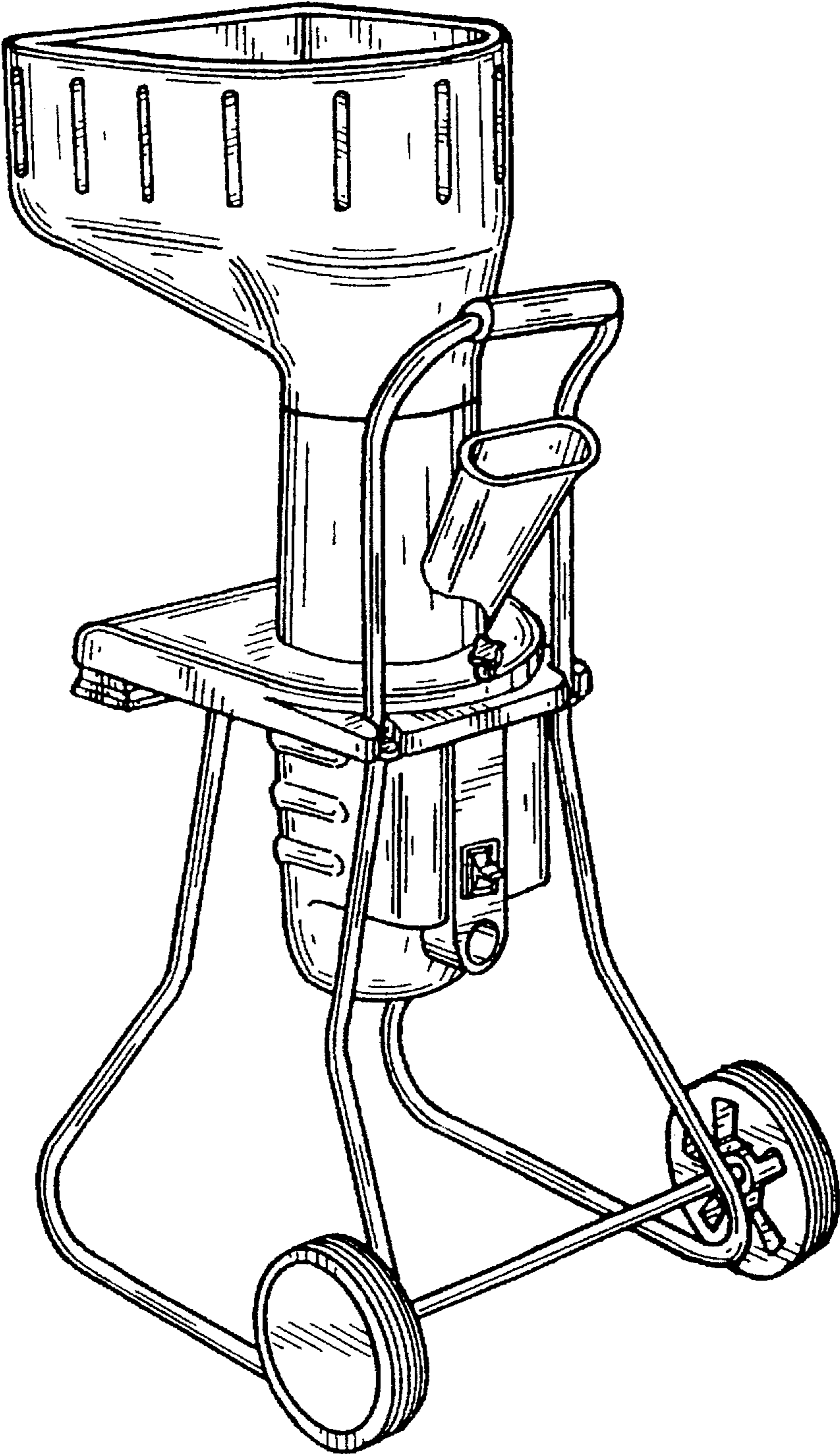


FIG. 1



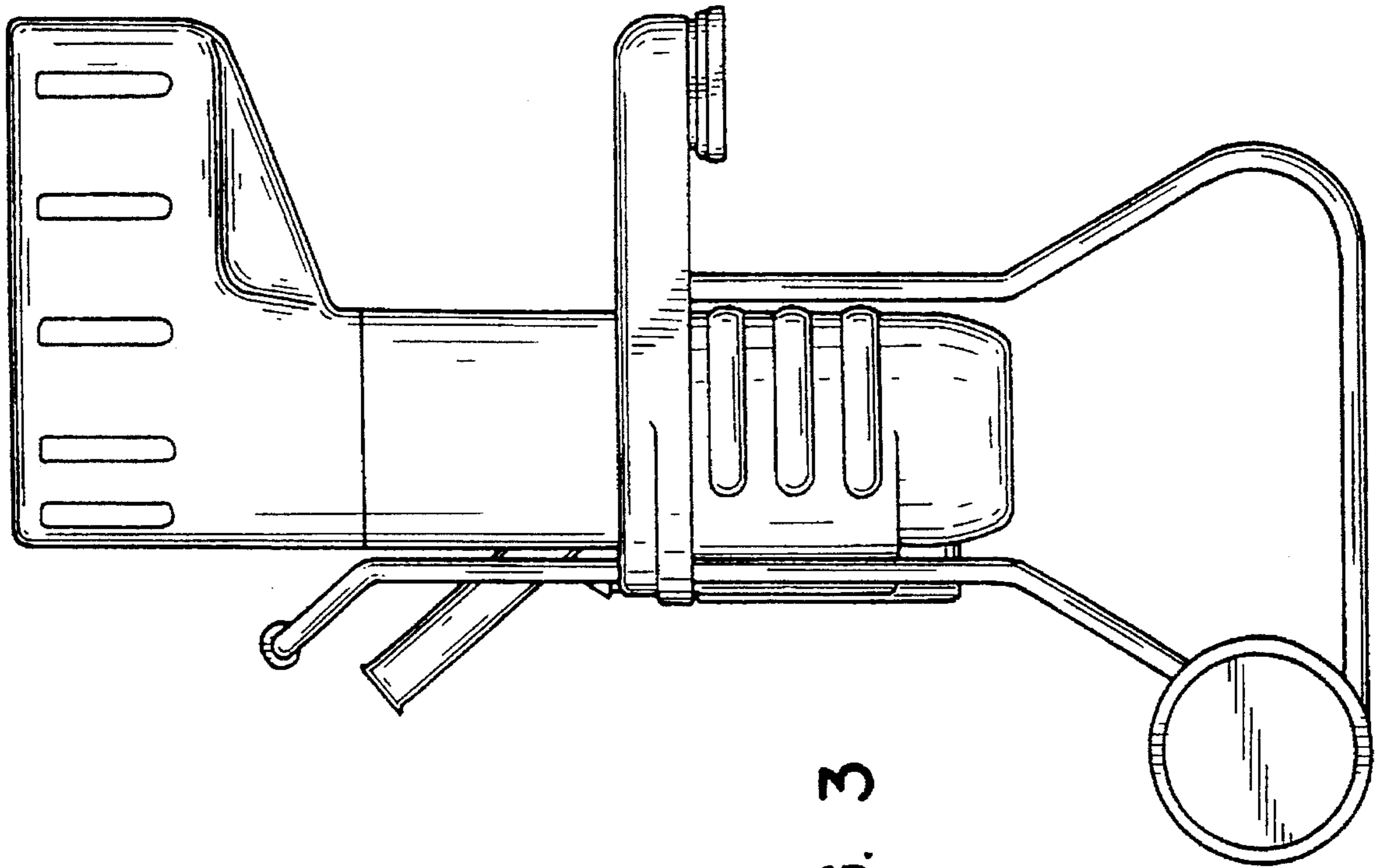


FIG. 3

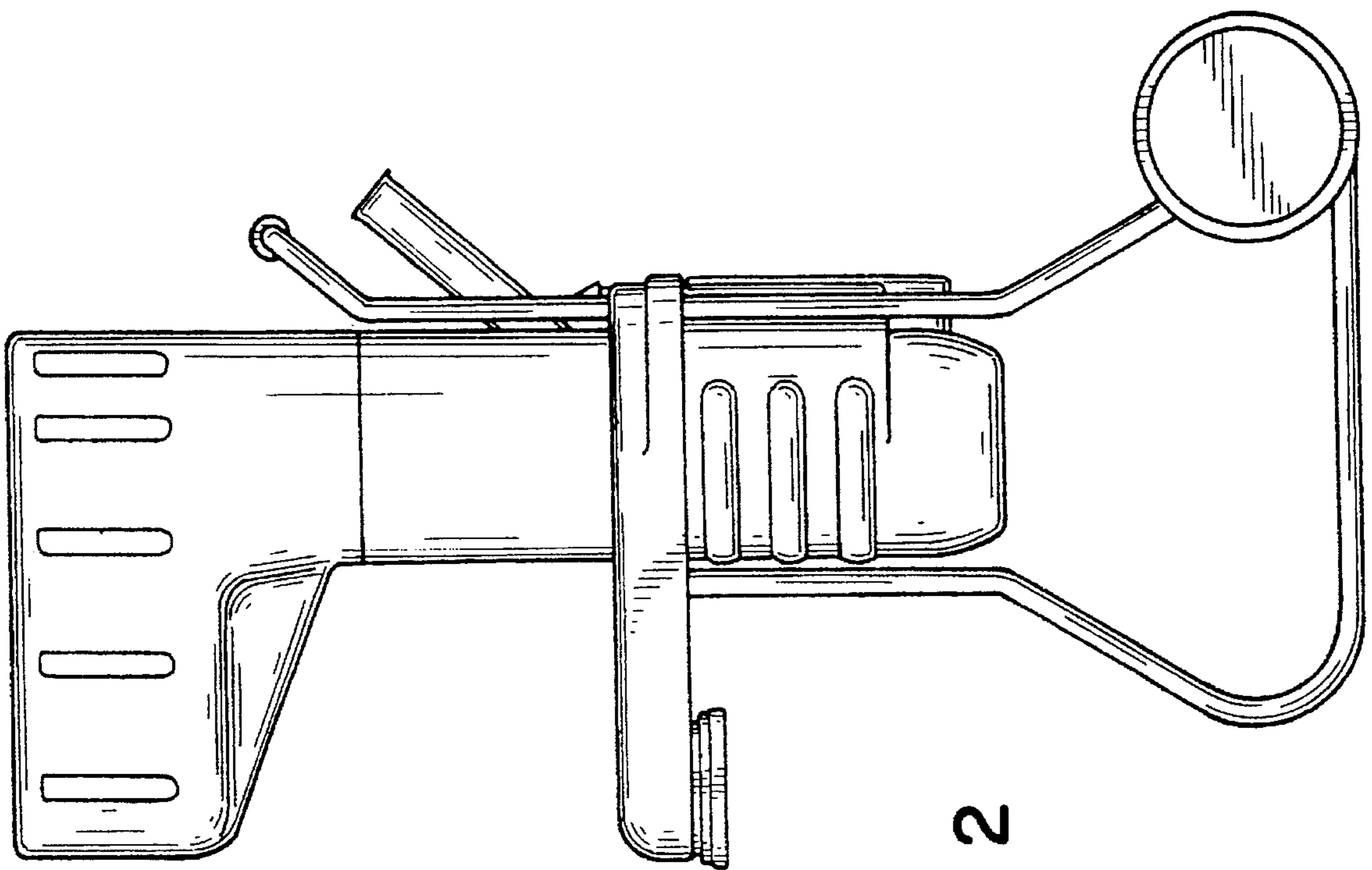


FIG. 2

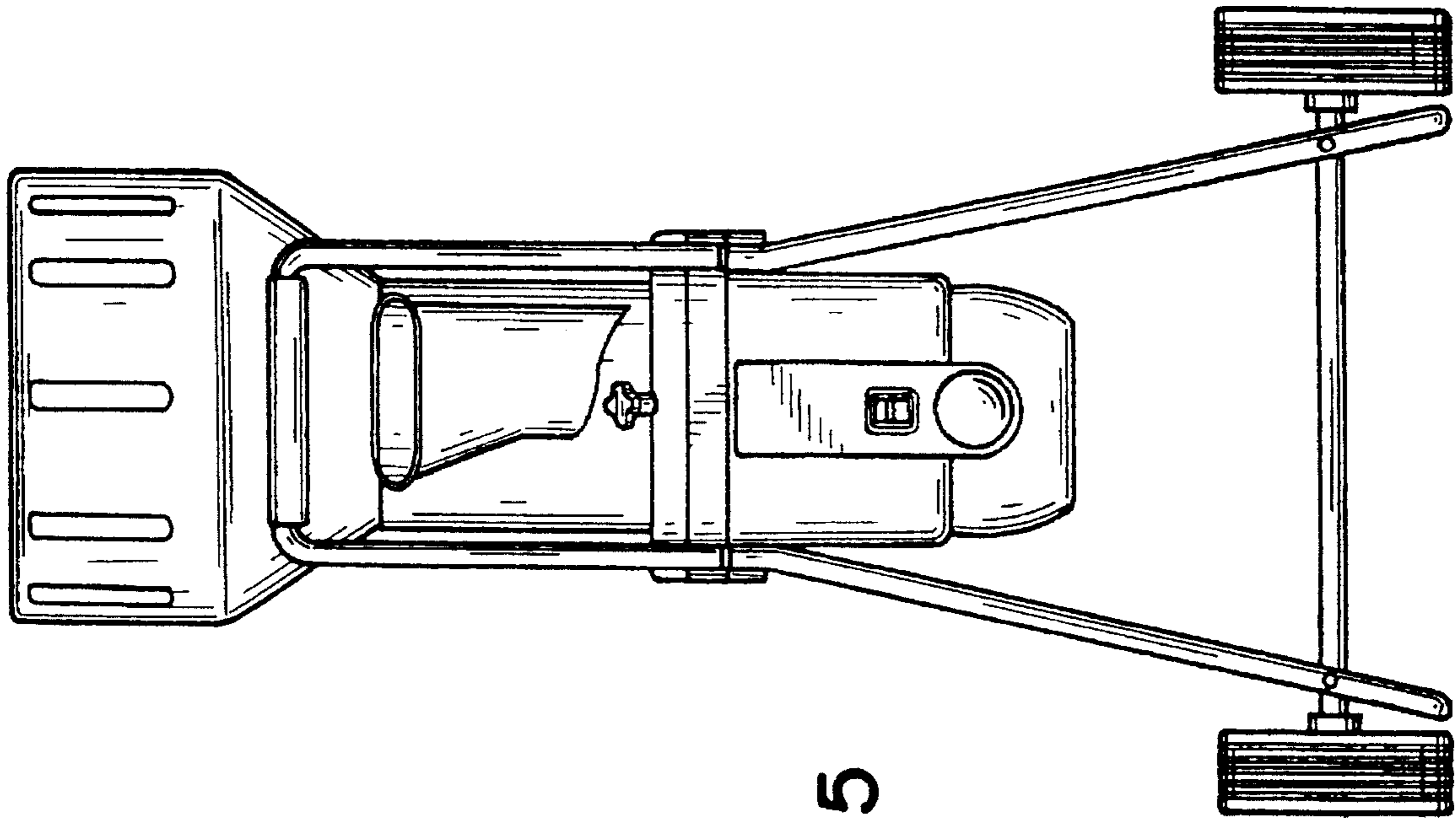


FIG. 5

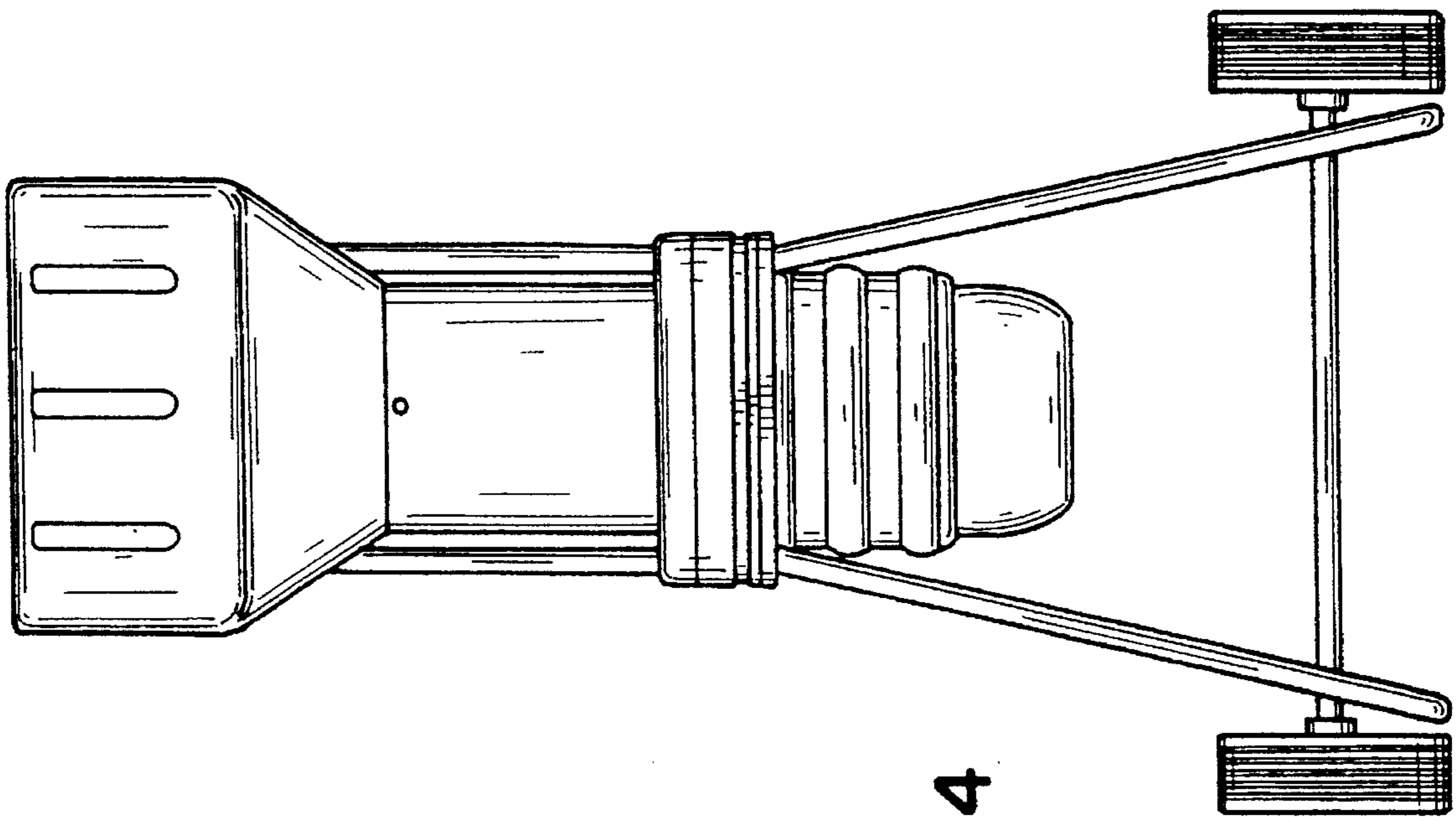


FIG. 4

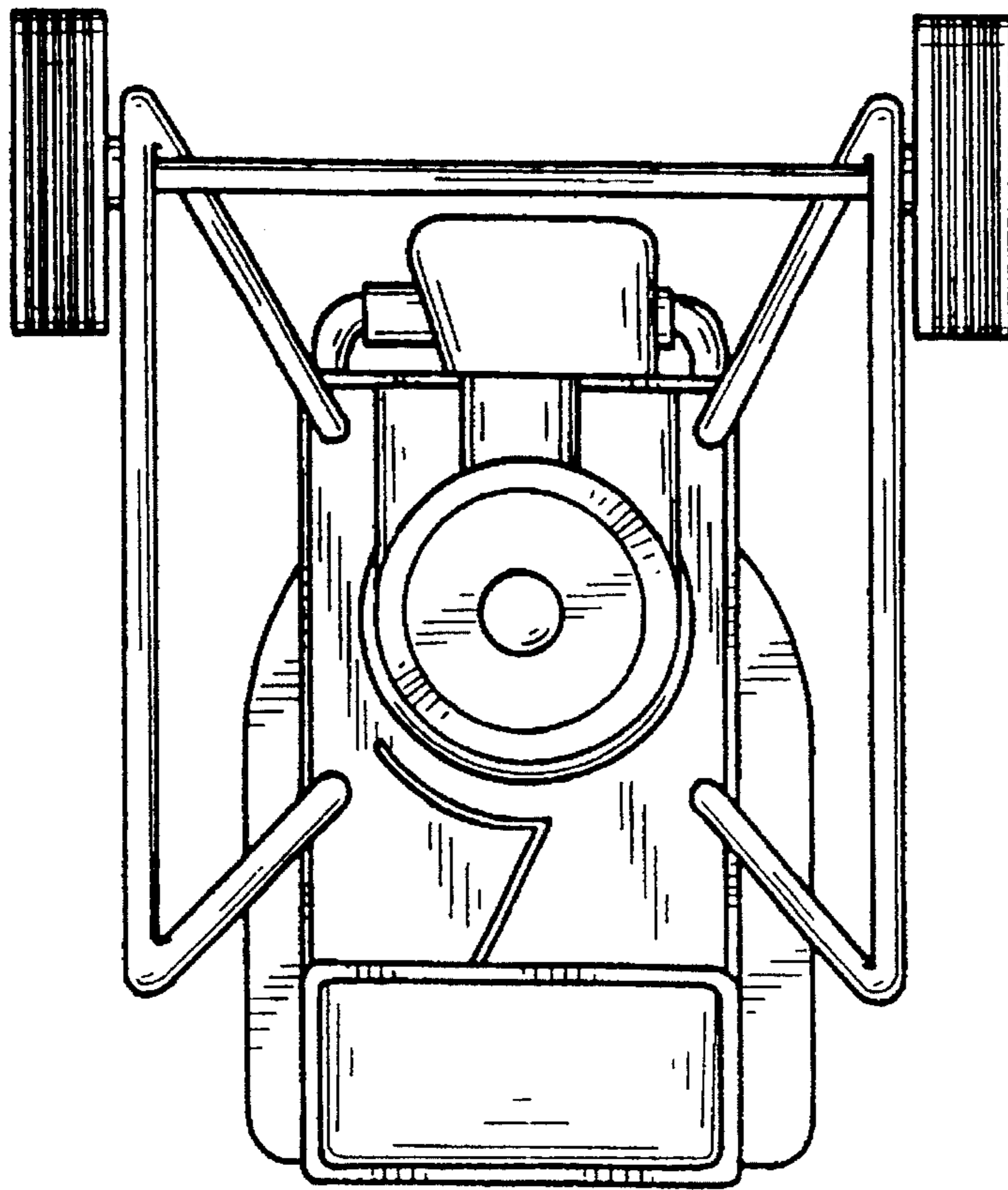


FIG. 7

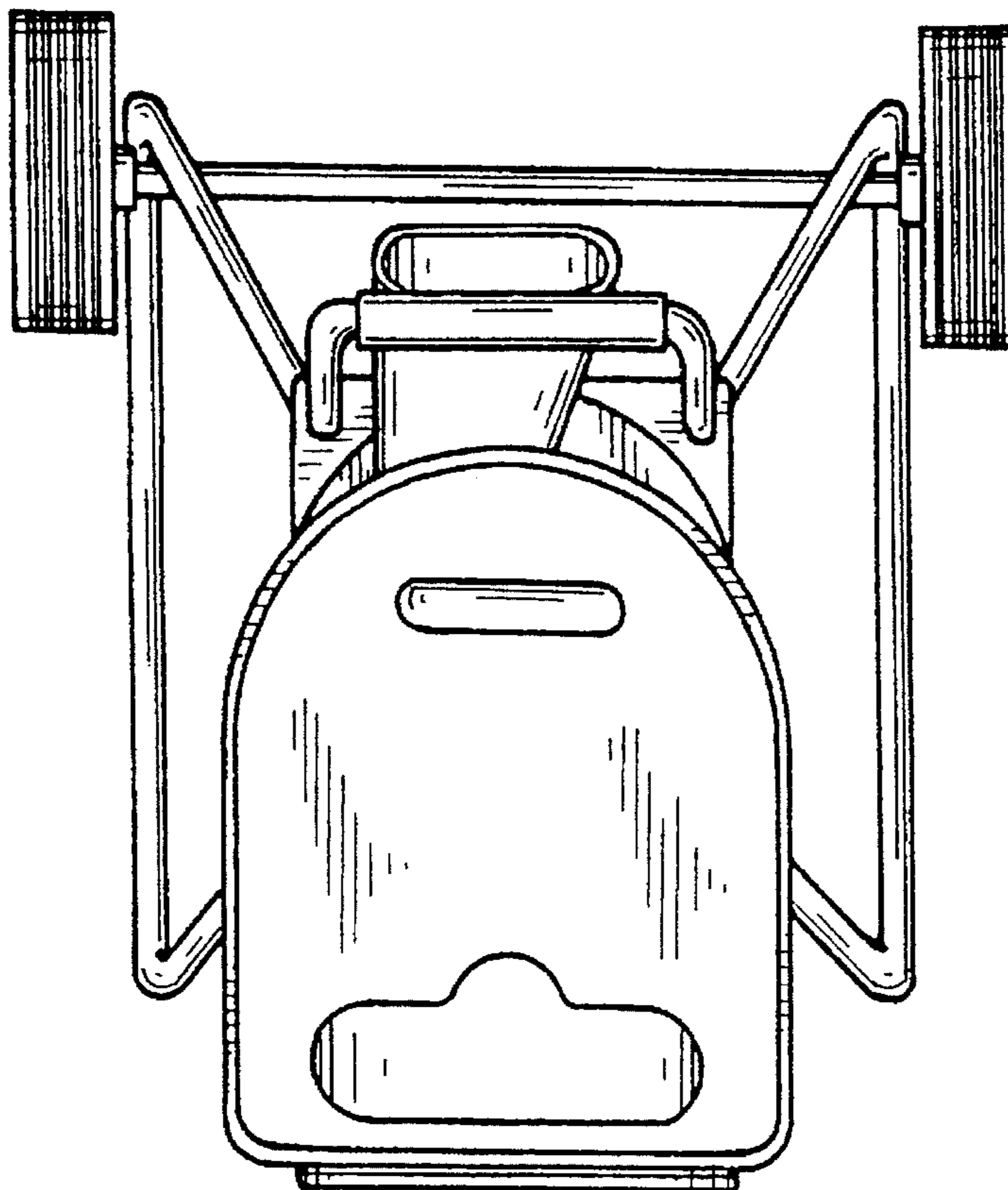


FIG. 6