



US00D364999S

United States Patent [19]
Malinosky

[11] **Patent Number: Des. 364,999**

[45] **Date of Patent: **Dec. 12, 1995**

[54] **GARLIC MINCER**

[76] Inventor: **Michael Malinosky**, 87200 Overseas Hwy. (Unit V-5), Islamorada, Fla. 33036

[**] Term: **14 Years**

[21] Appl. No.: **23,577**

[22] Filed: **May 26, 1994**

[52] U.S. Cl. **D7/666**

[58] **Field of Search** D7/666; 99/495, 99/506, 508; 100/112, 125, 234, 243

[56] **References Cited**

U.S. PATENT DOCUMENTS

D. 279,754	7/1985	Hansen	D7/666
D. 293,757	1/1988	Pendrini	D7/666
4,545,299	10/1985	Ahner	100/234 X
5,101,720	4/1992	Bianchi	D7/666 X
5,165,335	11/1992	Bianchi	D7/666 X

OTHER PUBLICATIONS

Henniker's, Aug./Sep. 1979, p. 30, Garlic Press #11601.

Primary Examiner—Terry A. Wallace

[57] **CLAIM**

The ornamental design for a garlic mincer, as shown and described.

DESCRIPTION

FIG. 1 is a perspective view of a garlic mincer showing my new design;

FIG. 2 is a top plan view thereof;

FIG. 3 is a left side elevation view thereof, the opposite side being a mirror image;

FIG. 4 is a bottom plan view thereof;

FIG. 5 is a front elevation view thereof;

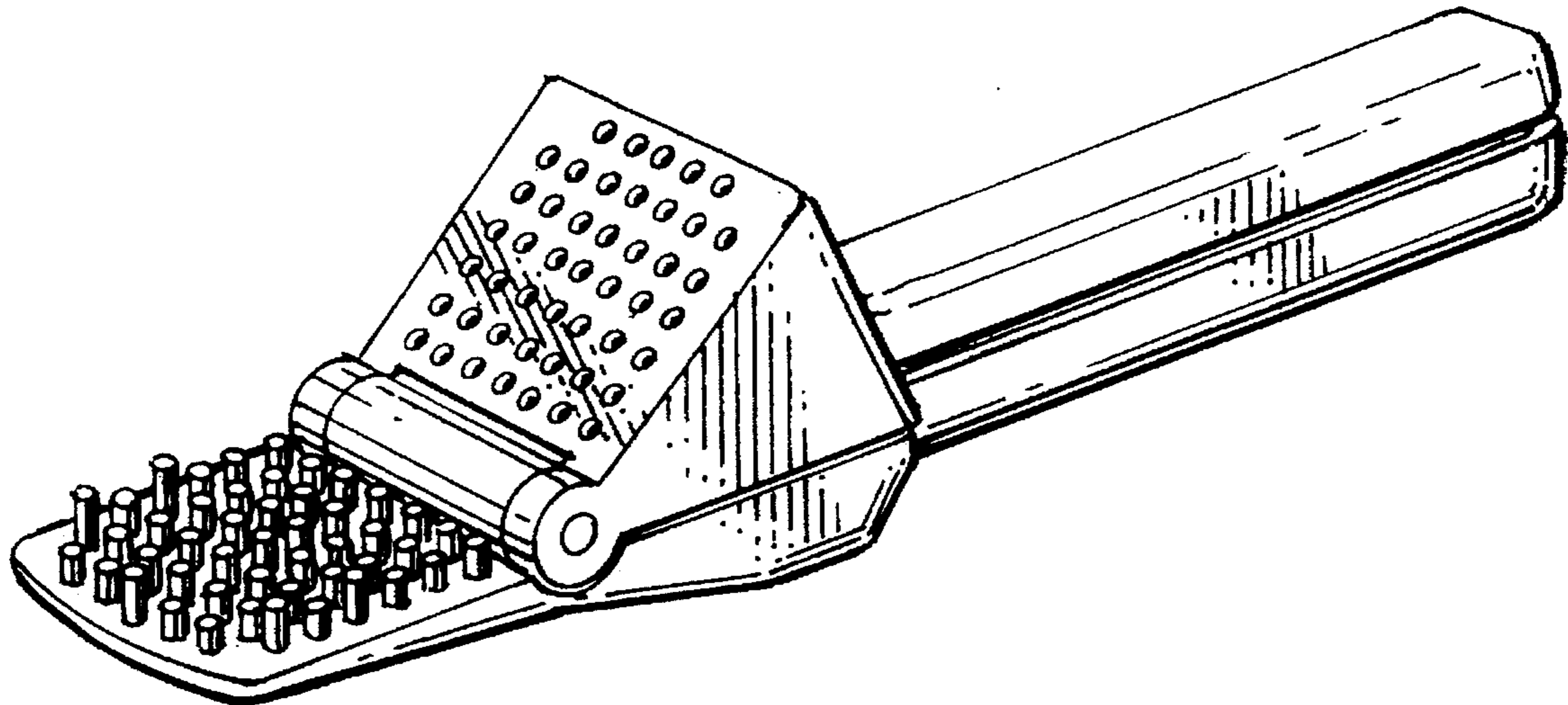
FIG. 6 is a rear elevation view thereof;

FIG. 7 is a perspective view thereof in a closed position;

FIG. 8 is a front elevation view of FIG. 7; and,

FIG. 9 is a rear elevation view of FIG. 7.

1 Claim, 2 Drawing Sheets



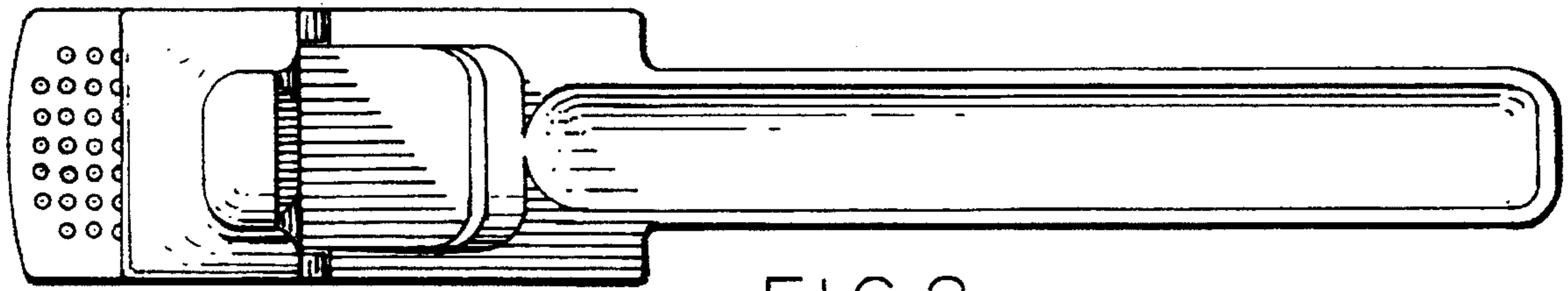


FIG. 2

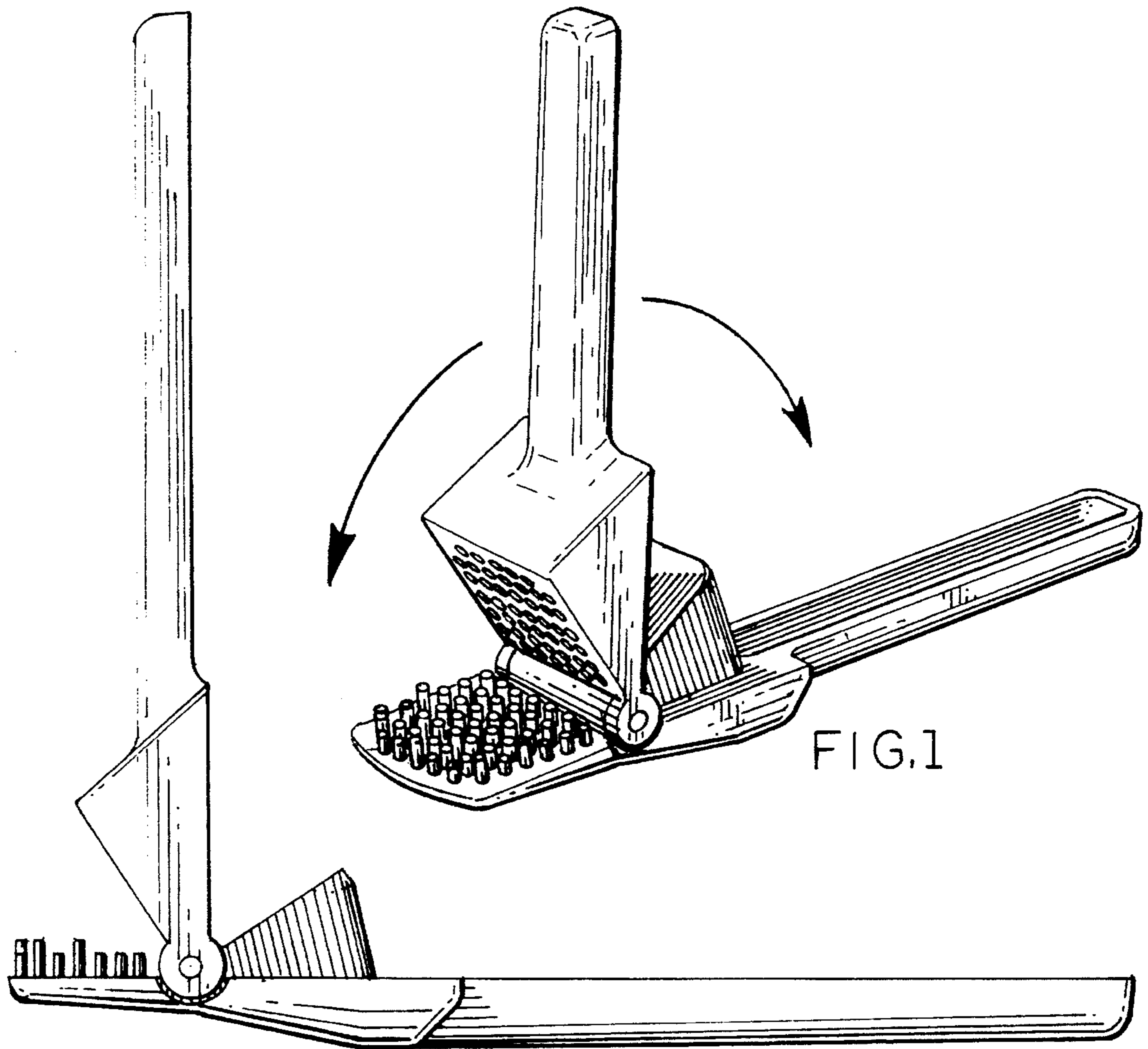


FIG. 1

FIG. 3

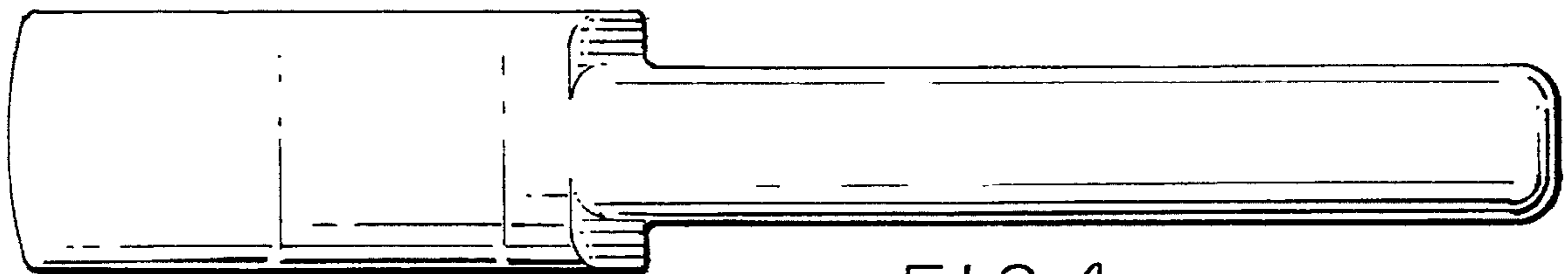


FIG. 4

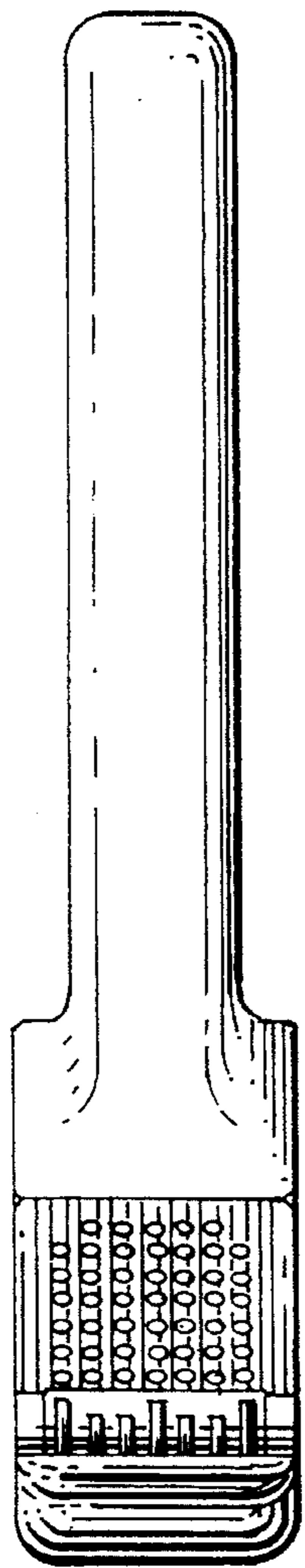


FIG. 5

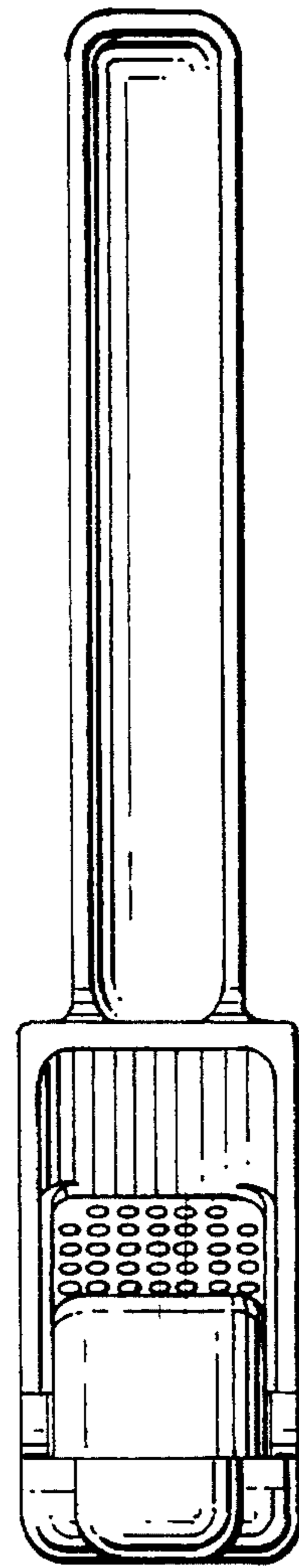


FIG. 6

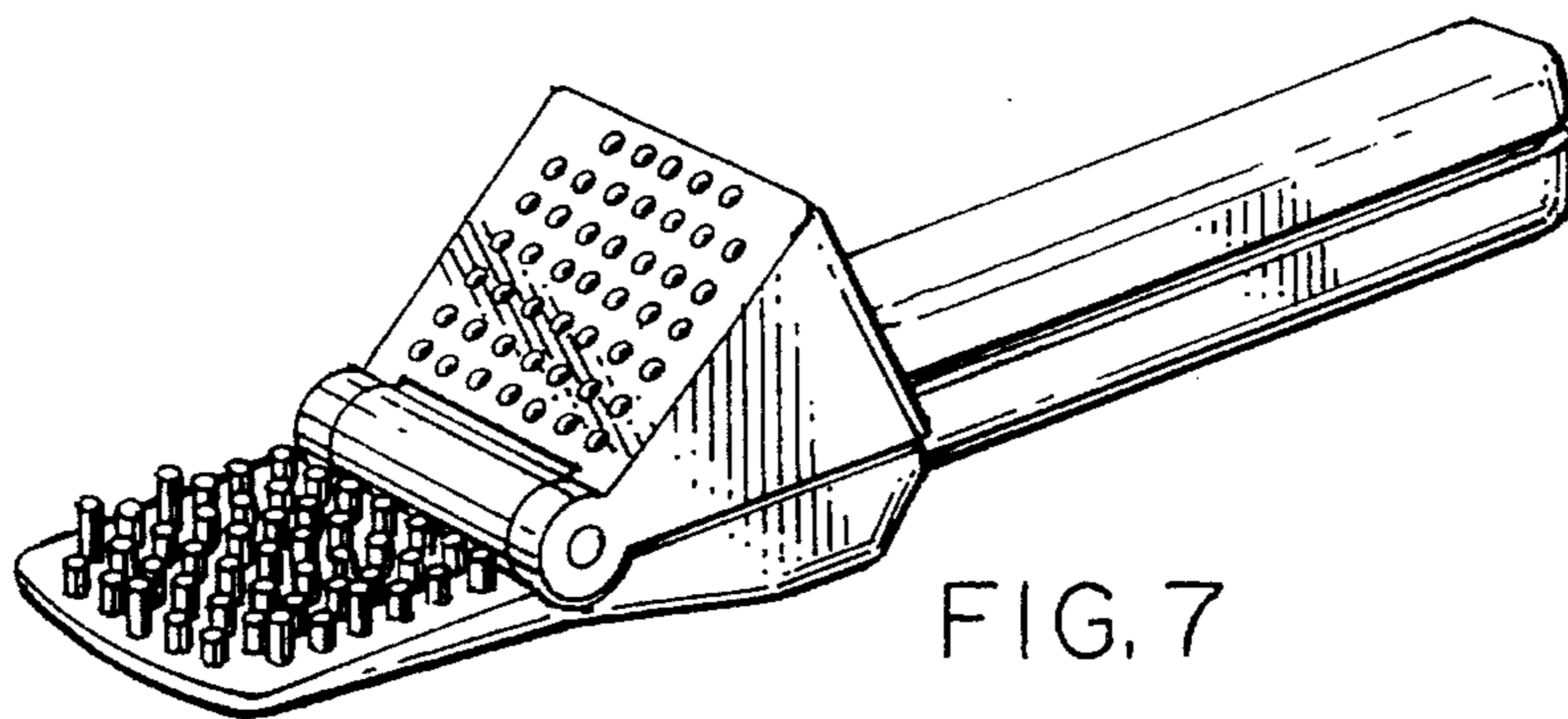


FIG. 7

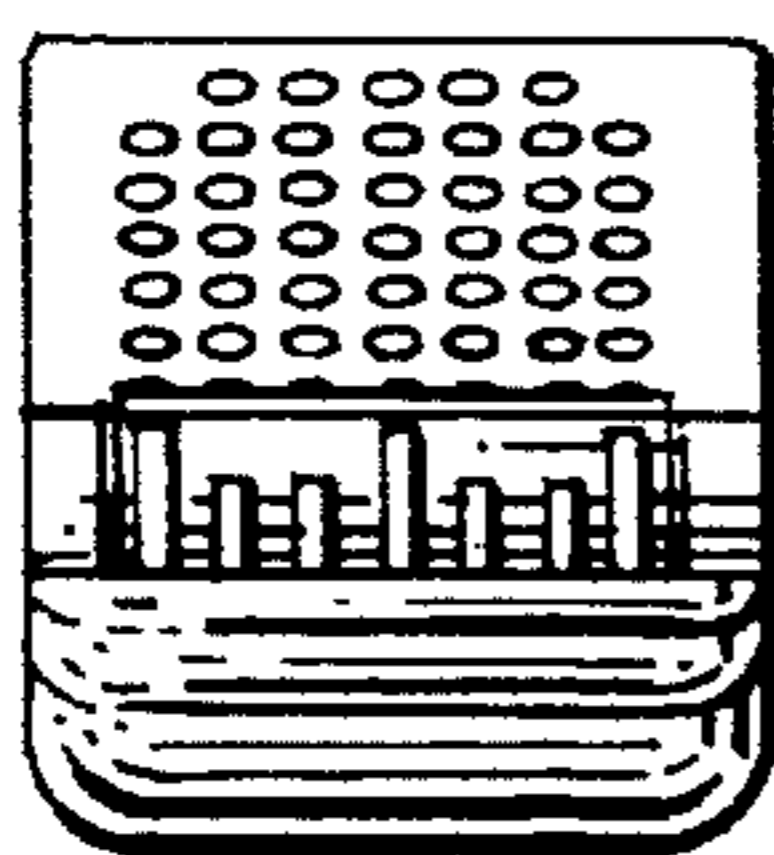


FIG. 8

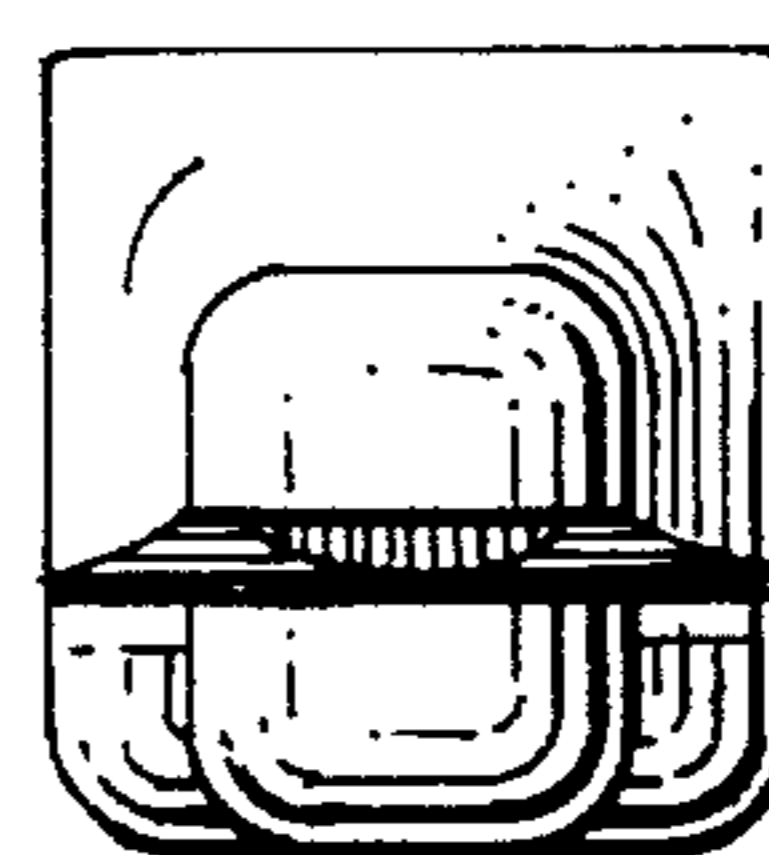


FIG. 9