



US00D364995S

United States Patent [19]
Koziol

[11] **Patent Number: Des. 364,995**

[45] **Date of Patent: **Dec. 12, 1995**

[54] **COOKING GRID**

FOREIGN PATENT DOCUMENTS

[75] Inventor: **Walter Koziol**, Antioch, Ill.

1139489 12/1955 France 1/A47J

[73] Assignee: **Modern Home Products Corp.**,
Antioch, Ill.

Primary Examiner—Alan P. Douglas
Assistant Examiner—Caron D. Veynar
Attorney, Agent, or Firm—Quarles & Brady

[**] Term: **14 Years**

[57] **CLAIM**

[21] Appl. No.: **30,564**

The ornamental design for a cooking grid, as shown and described.

[22] Filed: **Nov. 1, 1994**

[52] U.S. Cl. **D7/409**

DESCRIPTION

[58] **Field of Search** D7/359, 409; 99/339,
99/444-446, 449, 450; 126/25 R, 9 A,
29, 30

FIG. 1 is a top front perspective view of a cooking grid showing my new design;

FIG. 2 is a top plan view thereof;

FIG. 3 is a bottom plan view thereof;

FIG. 4 is a left side elevational view thereof, the right side being identical;

FIG. 5 is a front elevational view thereof, the rear being identical thereto; and,

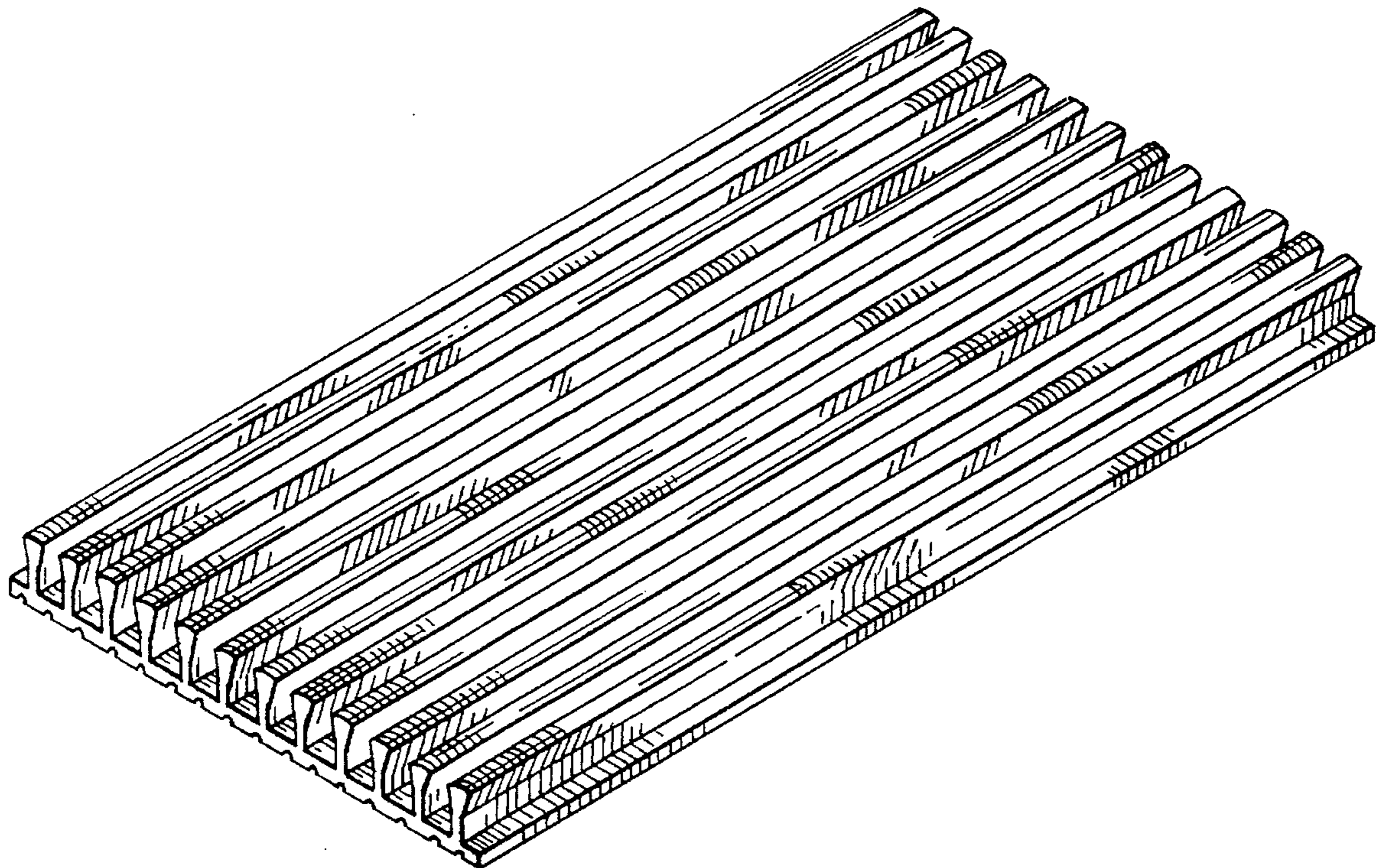
FIG. 6 is a sectional view taken along line 6—6 of FIG. 2.

[56] **References Cited**

U.S. PATENT DOCUMENTS

D. 340,835	11/1993	Lupa et al.	D7/409
4,428,281	1/1984	Miller	99/445
4,784,109	11/1988	Korpan	126/25 R
4,979,440	12/1990	Latour et al.	99/445
5,105,725	4/1992	Haglund	99/446

1 Claim, 2 Drawing Sheets



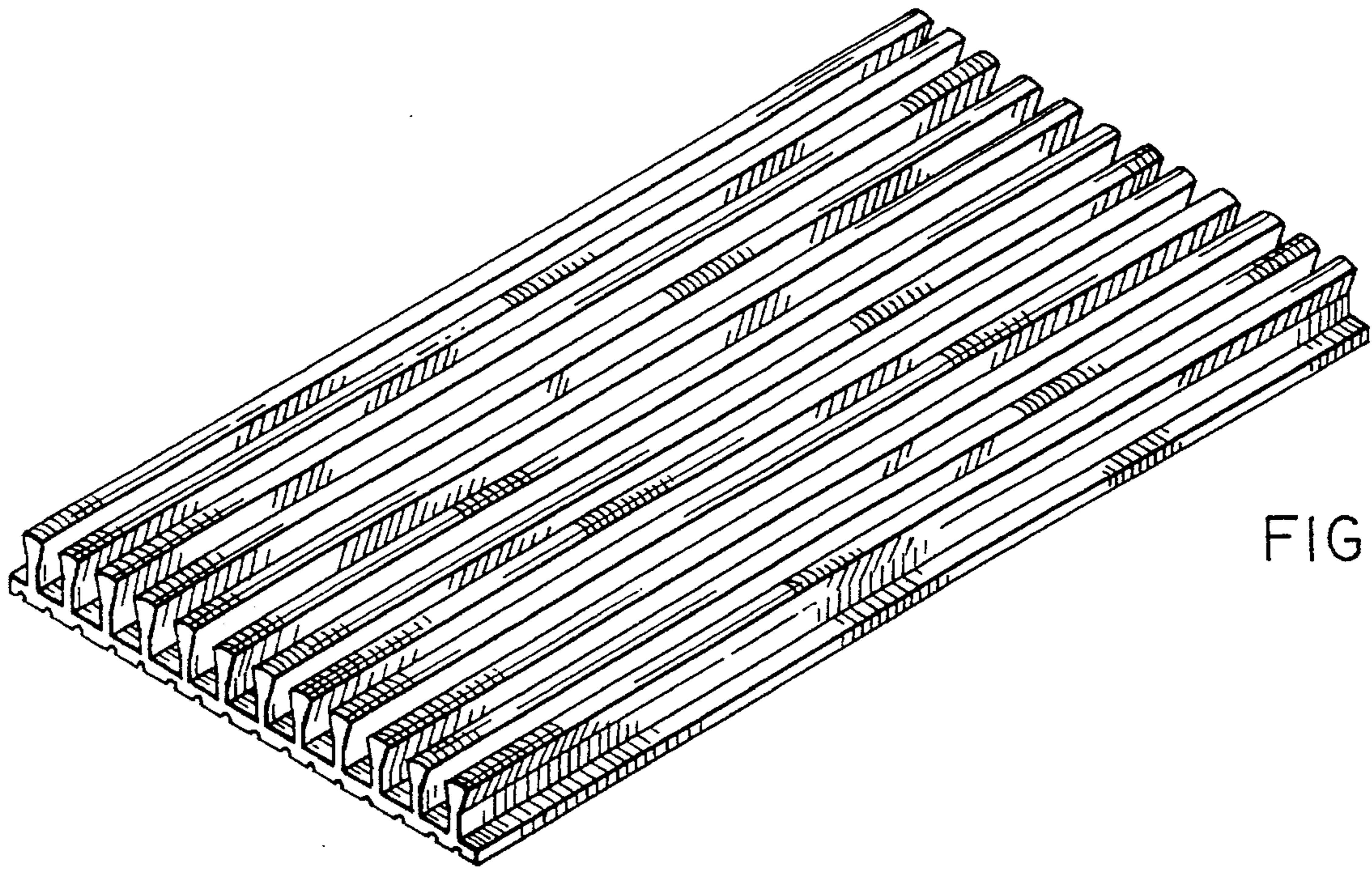


FIG. 1.

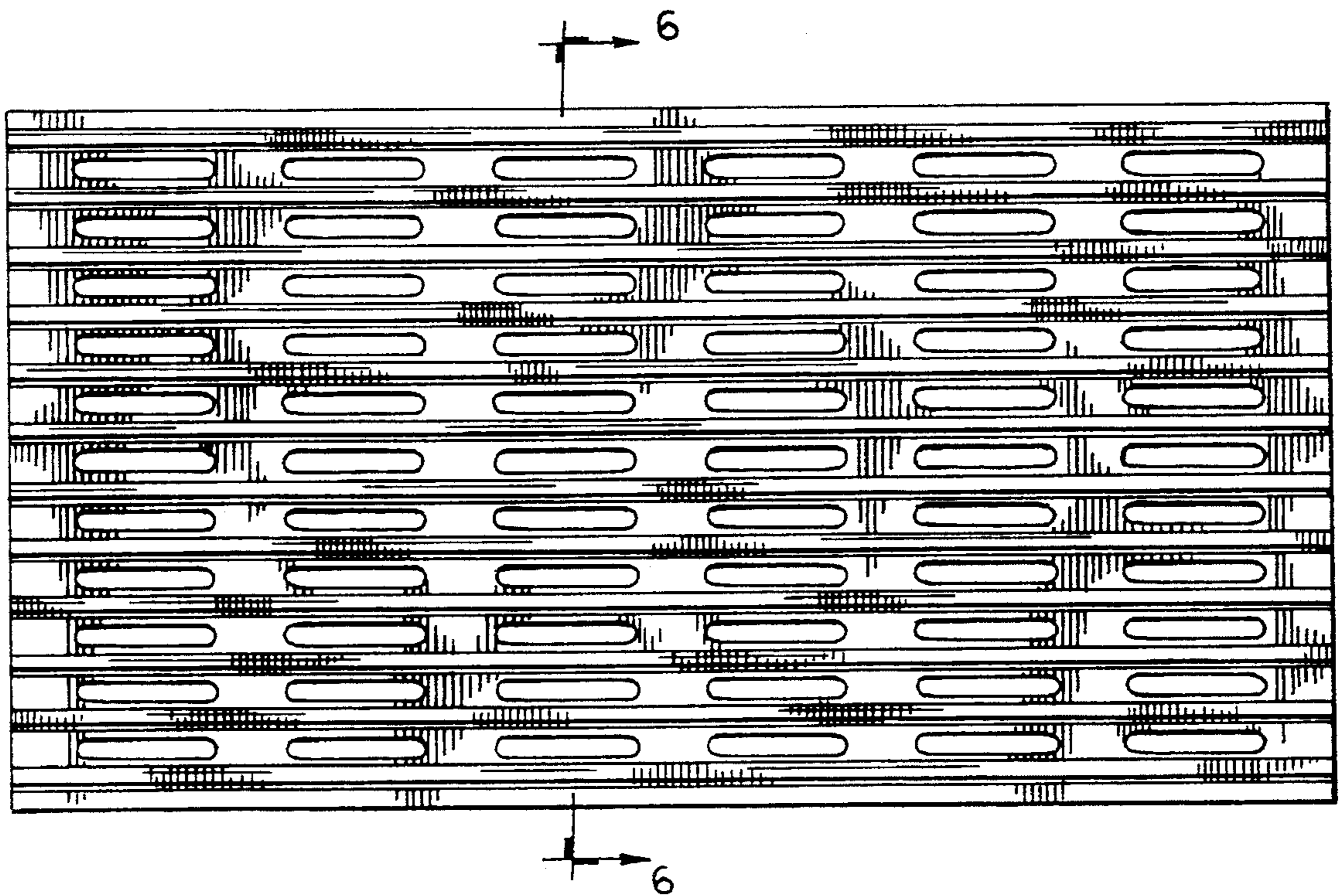


FIG. 2.

FIG. 3.

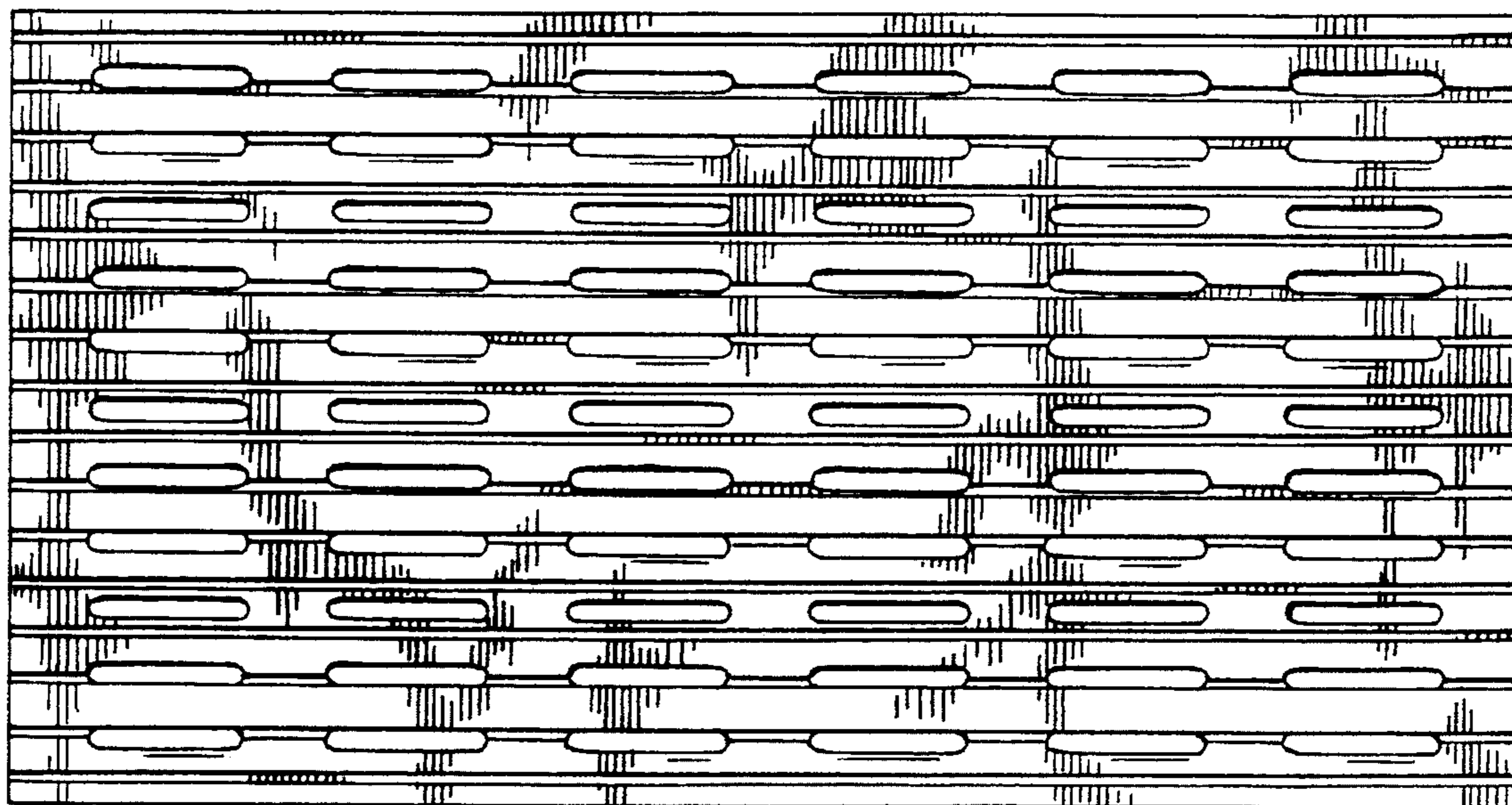


FIG. 4.



FIG. 5.

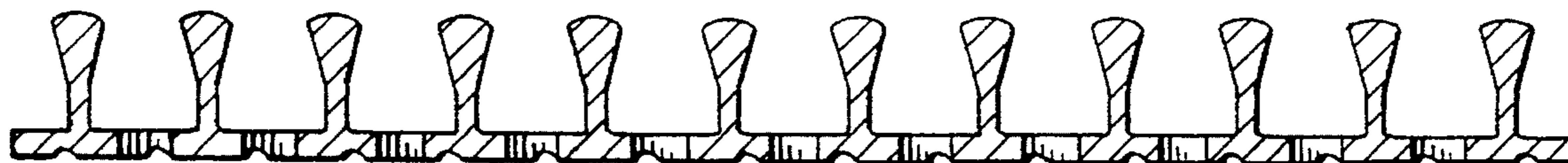


FIG. 6.