

United States Patent [19]
Dardashti

[11] **Patent Number: Des. 364,988**
 [45] **Date of Patent: *** Dec. 12, 1995**

[54] **DISPLAY AND STORAGE ASSEMBLY**

[76] Inventor: **Shahriar Dardashti**, Atlantic, Inc.,
 10240 Matern Pl., Santa Fe Springs,
 Calif. 90670-0399

[*] Notice: The portion of the term of this patent
 subsequent to Jun. 27, 2009, has been
 disclaimed.

[**] Term: **14 Years**

[21] Appl. No.: **20,785**

[22] Filed: **Apr. 1, 1994**

Related U.S. Application Data

[63] Continuation-in-part of Ser. No. 17,031, Jan. 4, 1994, and
 Ser. No. 17,035, Jan. 4, 1994, and Ser. No. 17,090, Jan. 4,
 1994, and Ser. No. 17,108, Jan. 5, 1994, and Ser. No.
 177,683, Jan. 6, 1994, and Ser. No. 17,825, Jan. 20, 1994,
 and Ser. No. 19,744, Mar. 9, 1994.

[52] U.S. Cl. **D6/629; D6/407**

[58] Field of Search D6/396, 405, 407,
 D6/626, 629, 630, 462, 467, 468, 469,
 477, 478, 479; D19/75, 76, 91, 27, 8; D14/120,
 121; 211/40, 41, 42; 206/387; D17/14,
 18, 19, 20

[56] **References Cited**

U.S. PATENT DOCUMENTS

- D. 174,189 3/1955 Oehling .
- D. 183,681 10/1958 Deaver .
- D. 197,627 3/1964 Burns .

(List continued on next page.)

FOREIGN PATENT DOCUMENTS

- 9106686 8/1991 Germany .
- 9110569 10/1991 Germany .
- 9115587 2/1992 Germany .
- 9200776 5/1992 Germany .
- 9216843 3/1993 Germany .
- 9114424 3/1993 Germany .

OTHER PUBLICATIONS

“Vintage Gallery Collectible Guitars & Amps”, Oct. 1994,
 published Miller Freeman, pp. 10-52.
 Advertisement, Probell; Handelsgesellschaft mbH; Ham-
 burg, Germany; Circa, Mar. 1991.
 Audio Accessories/CD; Wholesale Price List; Atlantic Rep-
 resentations, Inc., Effective Sep. 1, 1991; No. PRCD91-D.
 CD Storage System; Atlantic Representations, Inc.; Copy-
 right 1991.
 Expandable CD Storage System; Atlantic Representations,
 Inc.; Copyright 1991.
 CD Towers; Item B-D; XD61407; Home Decorator Collec-
 tion Catalogue; p. 22.
 Metal Towers—CD, Cassette & VHS Storage System;
 Atlantic Representations, Inc.; Copyright 1992.
 Access Collection Modular Storage System for 3½Inch
 Diskettes and CD Roms; Atlantic Representations, Inc.;
 Copyright 1993.
 Metal Storage System—Towers, Modules, Accessories;
 Atlantic Representations, Inc.; Copyright 1993.
 Wholesale Price List; Atlantic Representations, Inc.; Effec-
 tive Oct. 1, 1993; No. PRAV93-1.
 CD Man; Los Angeles Times Magazine; Feb. 6, 1994,; p. 35.
 The CD Tower; Phil Patton; The New York Times; Mar. 14,
 1994; p. 11.
 Model 1108—Floor Lamp/CD Tower; Frontgate—Enhancing
 Your Home; Winter 1994.
 Trademark Registration, Reg No. 1,782,606—Jul. 20, 1993
 Gibson Guitar Corp.

Primary Examiner—Alan P. Douglas
Assistant Examiner—S. Snapp
Attorney, Agent, or Firm—Poms, Smith, Lande & Rose

[57] **CLAIM**

The ornamental design for a display and storage assembly,
 as shown and described.

DESCRIPTION

FIG. 1 is a front elevational view of a display and storage
 assembly showing my new design;
 FIG. 2 is a right side elevational view thereof; the left side
 elevational view being a mirror image thereof;

(Description continued on next page.)

1 Claim, 22 Drawing Sheets

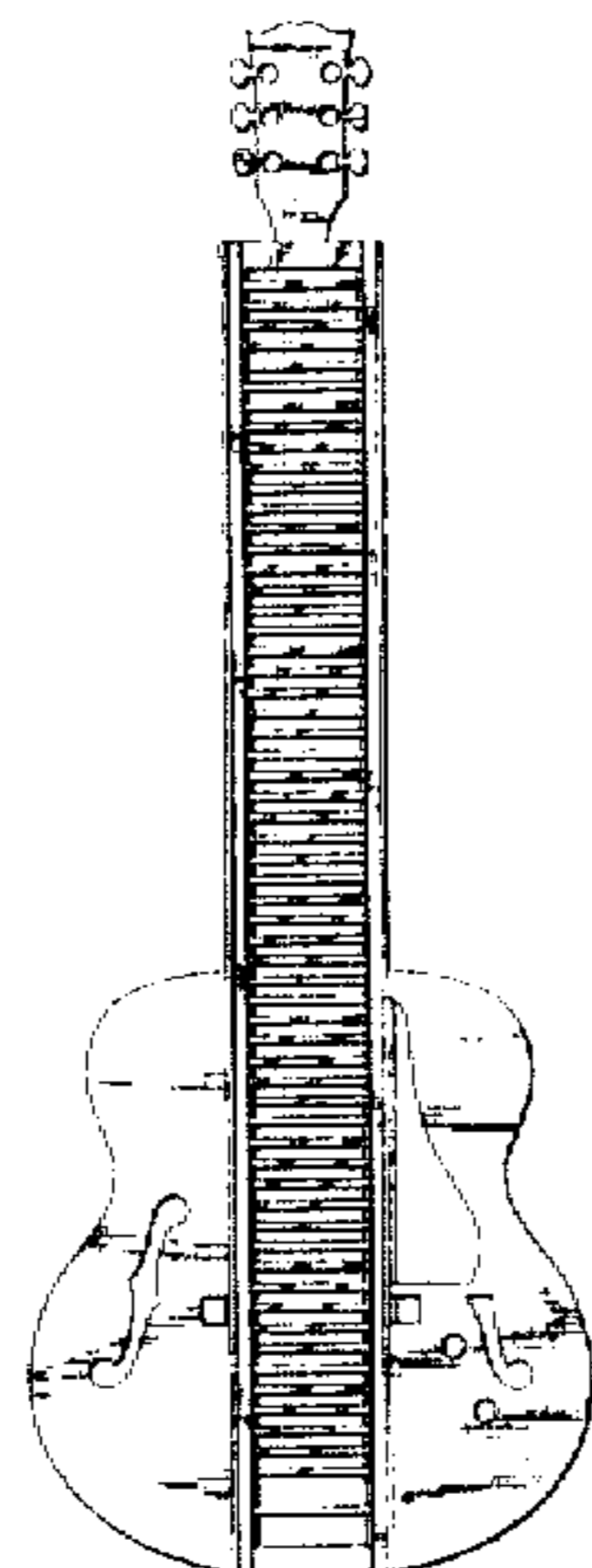


FIG. 3 is a rear elevational view thereof;
 FIG. 4 is a top plan view thereof;
 FIG. 5 is a bottom plan view thereof;
 FIG. 6 is a front elevational view of a second embodiment thereof;
 FIG. 7 is a left side elevational view thereof;
 FIG. 8 is a right side elevational view thereof;
 FIG. 9 is a rear elevational view thereof;
 FIG. 10 is a top plan view thereof;
 FIG. 11 is a bottom plan view thereof;
 FIG. 12 is a front elevational view of a third embodiment thereof;
 FIG. 13 is a right side elevational view thereof; the left side elevational view being a mirror image thereof;
 FIG. 14 is a rear elevational view thereof;
 FIG. 15 is a top plan view thereof;
 FIG. 16 is a bottom plan view thereof;
 FIG. 17 is a front elevational view of a fourth embodiment thereof;
 FIG. 18 is a left side elevational view thereof;
 FIG. 19 is a right side elevational view thereof;
 FIG. 20 is a rear elevational view thereof;
 FIG. 21 is a top plan view thereof;
 FIG. 22 is a bottom plan view thereof;
 FIG. 23 is a front elevational view of the fifth embodiment thereof;
 FIG. 24 is a right side elevational view thereof; the left side elevational view being a mirror image thereof;
 FIG. 25 is a rear elevational view thereof;
 FIG. 26 is a top plan view thereof;
 FIG. 27 is a bottom plan view thereof;
 FIG. 28 is a front elevational view of a sixth embodiment thereof;
 FIG. 29 is a left side elevational view thereof;
 FIG. 30 is a right side elevational view thereof;
 FIG. 31 is a rear elevational view thereof;
 FIG. 32 is a top plan view thereof;
 FIG. 33 is a bottom view thereof;
 FIG. 34 is a front elevational view of a seventh embodiment thereof;
 FIG. 35 is a left side elevational view thereof;
 FIG. 36 is a right side elevational view thereof;
 FIG. 37 is a rear elevational view thereof;
 FIG. 38 is a top plan view thereof;
 FIG. 39 is a bottom plan view thereof;
 FIG. 40 is a front elevational view of an eighth embodiment thereof;
 FIG. 41 is a left side elevational view thereof;
 FIG. 42 is a right side elevational view thereof;
 FIG. 43 is a rear elevational view thereof;
 FIG. 44 is a top plan view thereof;
 FIG. 45 is a bottom plan view thereof;
 FIG. 46 is a front elevational view of a ninth embodiment thereof;
 FIG. 47 is a left side elevational view thereof;
 FIG. 48 is a right side elevational view thereof;
 FIG. 49 is a rear elevational view thereof;
 FIG. 50 is a top plan view thereof;
 FIG. 51 is a bottom plan view thereof;
 FIG. 52 is a front elevational view of a tenth embodiment thereof;
 FIG. 53 is a left side elevational view thereof;
 FIG. 54 is a right side elevational view thereof;
 FIG. 55 is a rear elevational view thereof;
 FIG. 56 is a top plan view thereof;

FIG. 57 is a bottom plan view thereof;
 FIG. 58 is a front elevational view of an eleventh embodiment thereof;
 FIG. 59 is a left side elevational view thereof;
 FIG. 60 is a right side elevational view thereof;
 FIG. 61 is a rear elevational view thereof;
 FIG. 62 is a top plan view thereof; and,
 FIG. 63 is a bottom plan view thereof.

The broken line showing in FIGS. 2, 7, 8, 13, 18, 19, 24, 29, 30, 35, 36, 41, 42, 47, 48, 53, 54, 59, and 60 are for environmental purposes only and form no part of the claimed designs.

U.S. PATENT DOCUMENTS

D. 224,155	7/1972	Smith .	
D. 242,648	12/1976	Filed	D17/14
D. 259,494	6/1981	Todd, III .	
D. 263,529	3/1982	Magyar .	
D. 302,278	7/1989	Harrower, III .	
D. 319,741	10/1991	Sylvester .	
D. 329,668	10/1992	Connelly .	
D. 331,168	11/1992	Ohadi .	
D. 333,225	2/1983	Robinson .	
D. 337,919	8/1993	van der Molen .	
D. 340,155	10/1993	Koziol .	
D. 342,172	12/1993	Schonhofen .	
D. 342,395	12/1993	Huang .	
D. 343,074	1/1994	Whiteaker et al. .	
D. 343,533	1/1994	David .	
D. 344,360	2/1994	Yeh .	
D. 349,721	8/1994	Riboloff .	
1,650,164	11/1927	Travaglini .	
1,652,114	12/1927	Gestrine .	
2,205,064	6/1940	Irwin .	
2,222,831	11/1940	Bitney .	
2,909,092	10/1959	De Armond et al. .	D17/14 X
2,976,755	3/1961	Fender .	
2,998,742	9/1961	Pratt .	D17/14 X
3,015,247	1/1962	Allers .	D17/19 X
3,208,598	9/1965	Glassenberg .	
3,220,557	11/1965	Brandes .	
3,375,747	4/1968	Posey .	D17/14 X
3,396,621	8/1968	Dycus .	D17/14 X
3,543,943	12/1970	Joy et al. .	
3,633,761	1/1972	Hollday .	
3,889,817	6/1975	Berkman .	
3,938,665	2/1976	Rumble .	
4,056,260	11/1977	David .	
4,228,902	10/1980	Schulte .	
4,293,075	10/1981	Veralrud .	
4,358,018	11/1982	Wolfe .	
4,453,785	6/1984	Smith .	
4,630,737	12/1986	King .	
4,655,345	4/1987	Drake et al. .	
4,702,369	10/1987	Philosophe .	
4,709,815	12/1987	Price et al. .	
4,730,739	3/1988	Semerau, Jr. .	
4,762,689	8/1988	Frey et al. .	
4,819,801	4/1989	Howard .	
4,872,554	10/1989	Quernemoen .	
4,911,308	3/1990	Nylund .	
4,932,522	6/1990	Milovich .	
4,940,147	7/1990	Hunt .	
5,054,626	10/1991	Stempinski .	
5,129,525	7/1992	Maynard, Jr. .	
5,195,642	3/1993	Dardashti .	
5,199,577	4/1993	Curtis .	
5,219,079	6/1993	Nakamura .	
5,301,819	4/1994	Moeken .	

FIG. 1

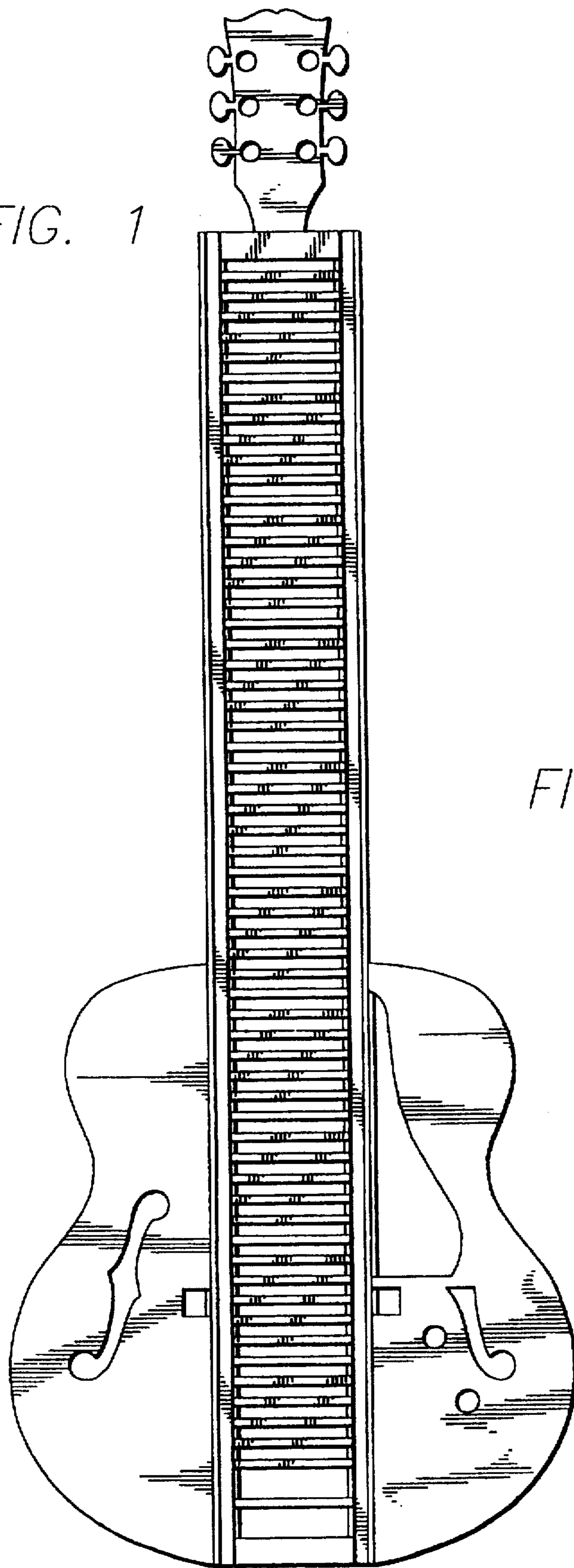


FIG. 2

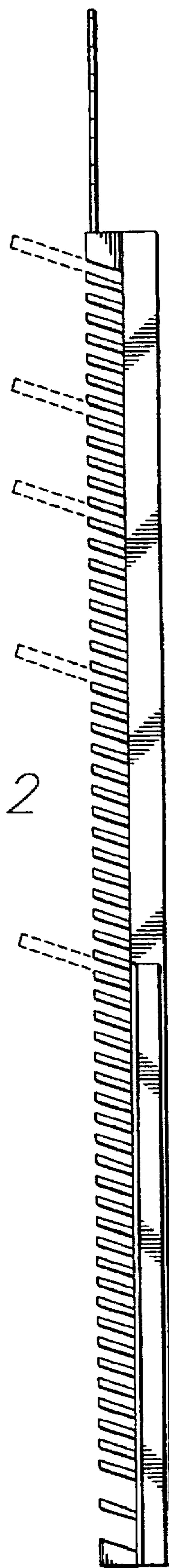


FIG. 3

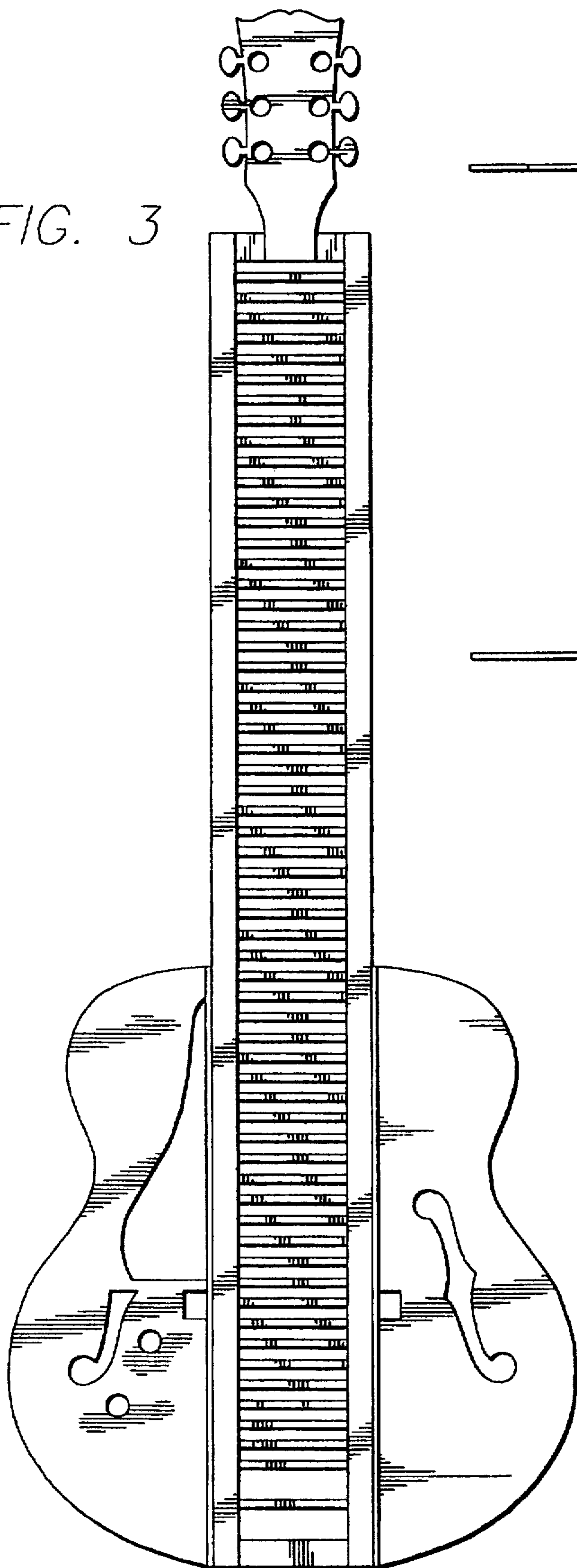


FIG. 4

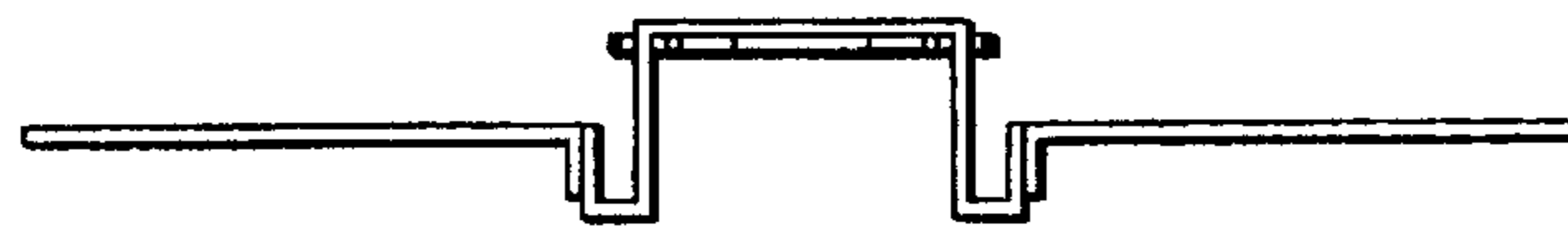


FIG. 5



FIG. 7

FIG. 6

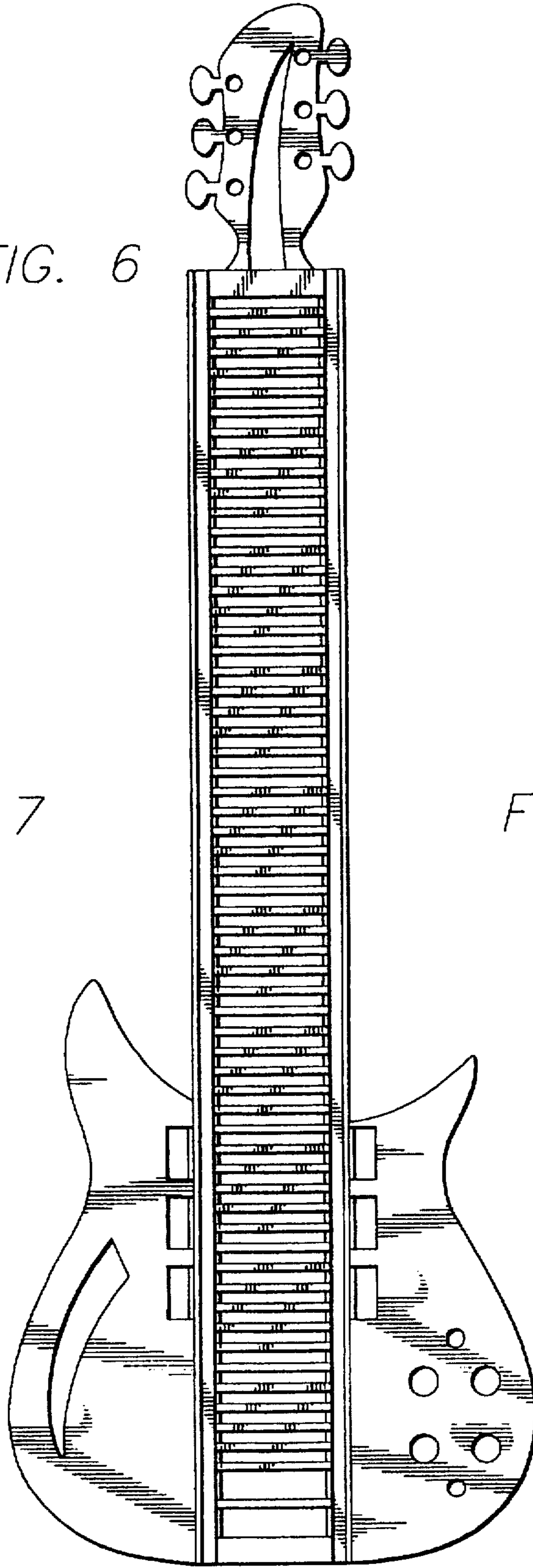


FIG. 8

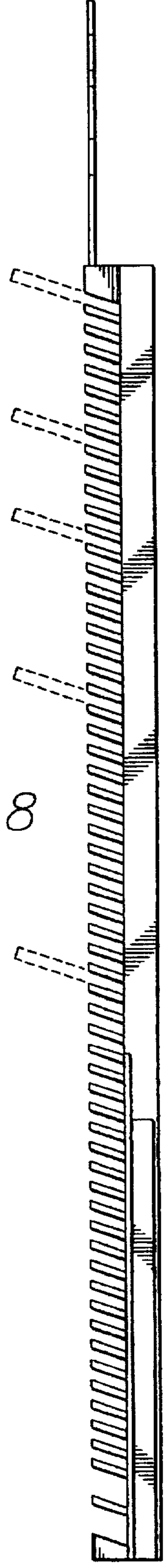


FIG. 9

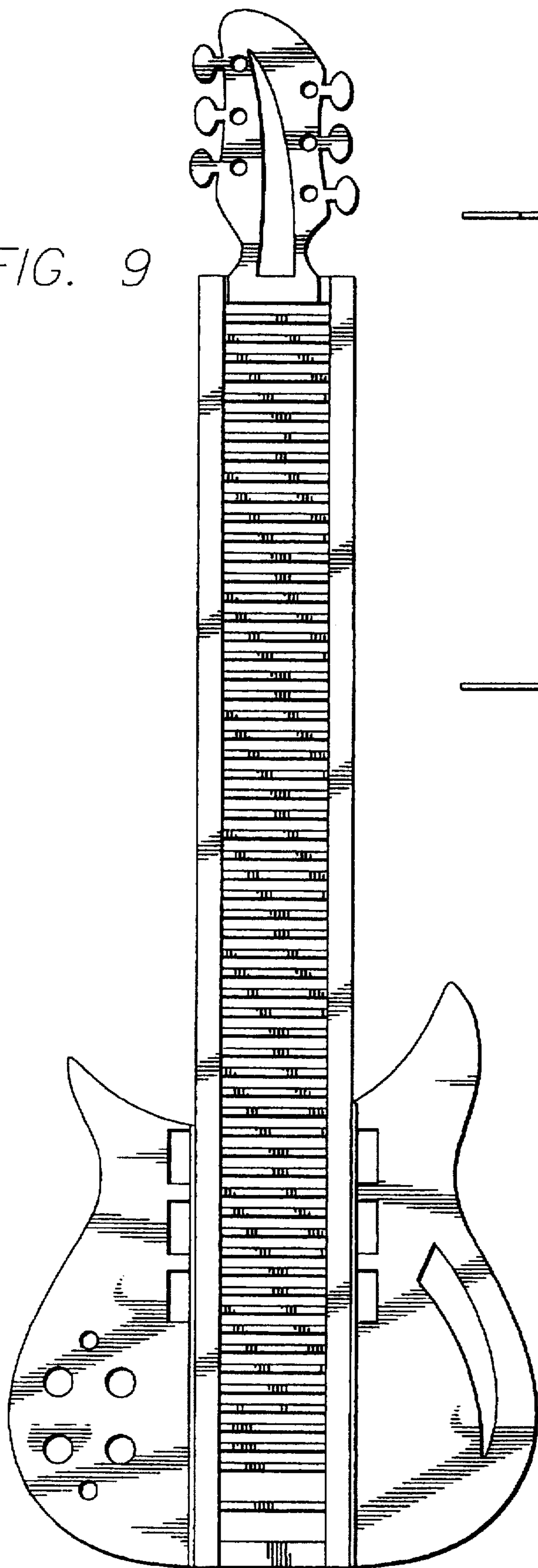


FIG. 10

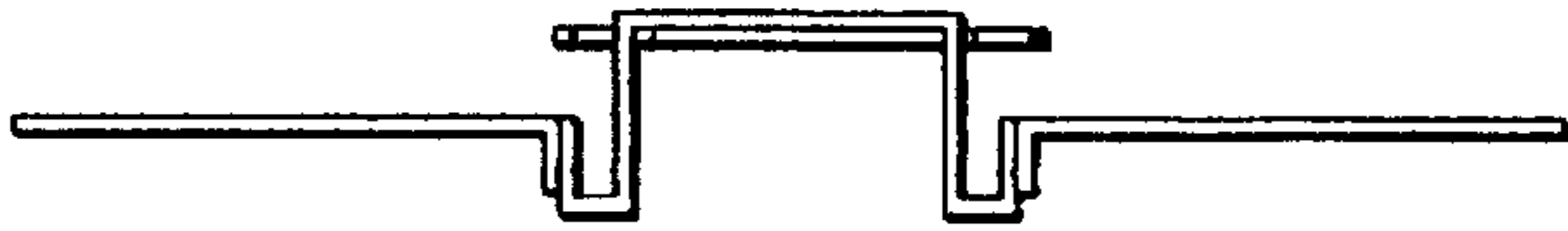


FIG. 11

FIG. 12

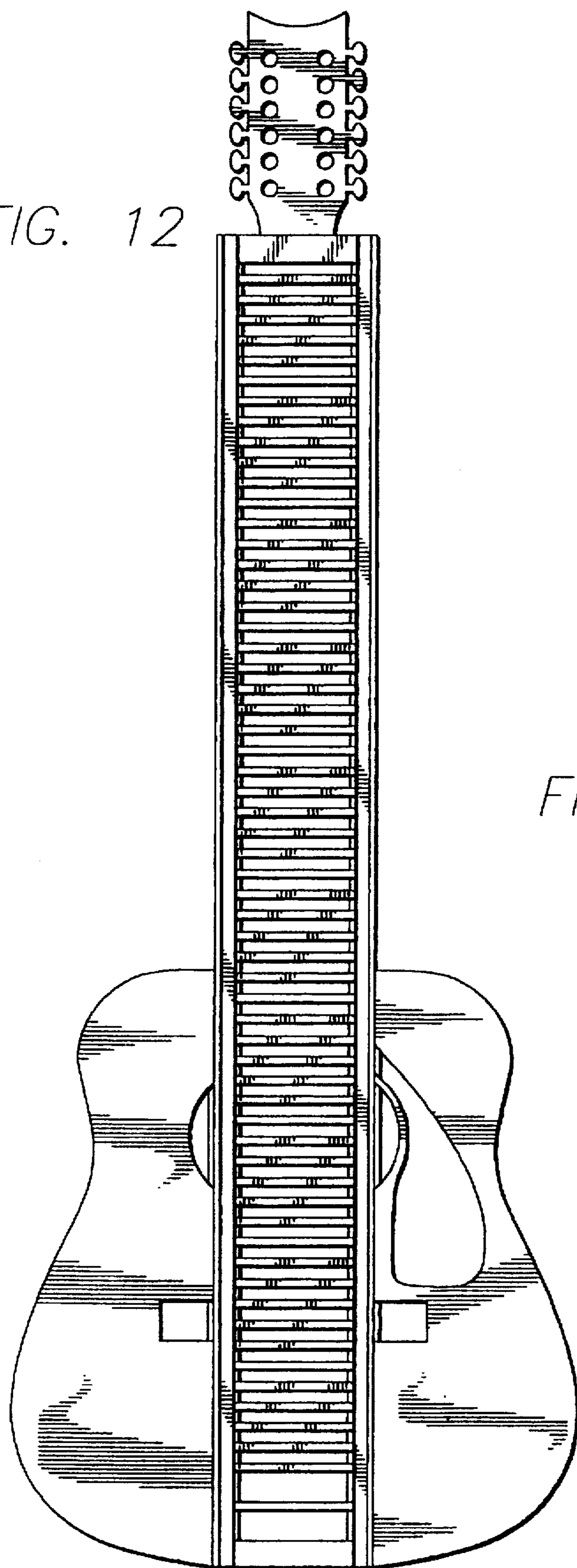


FIG. 13

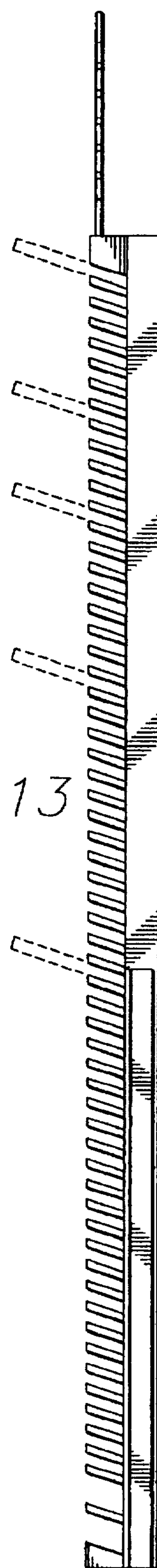


FIG. 14

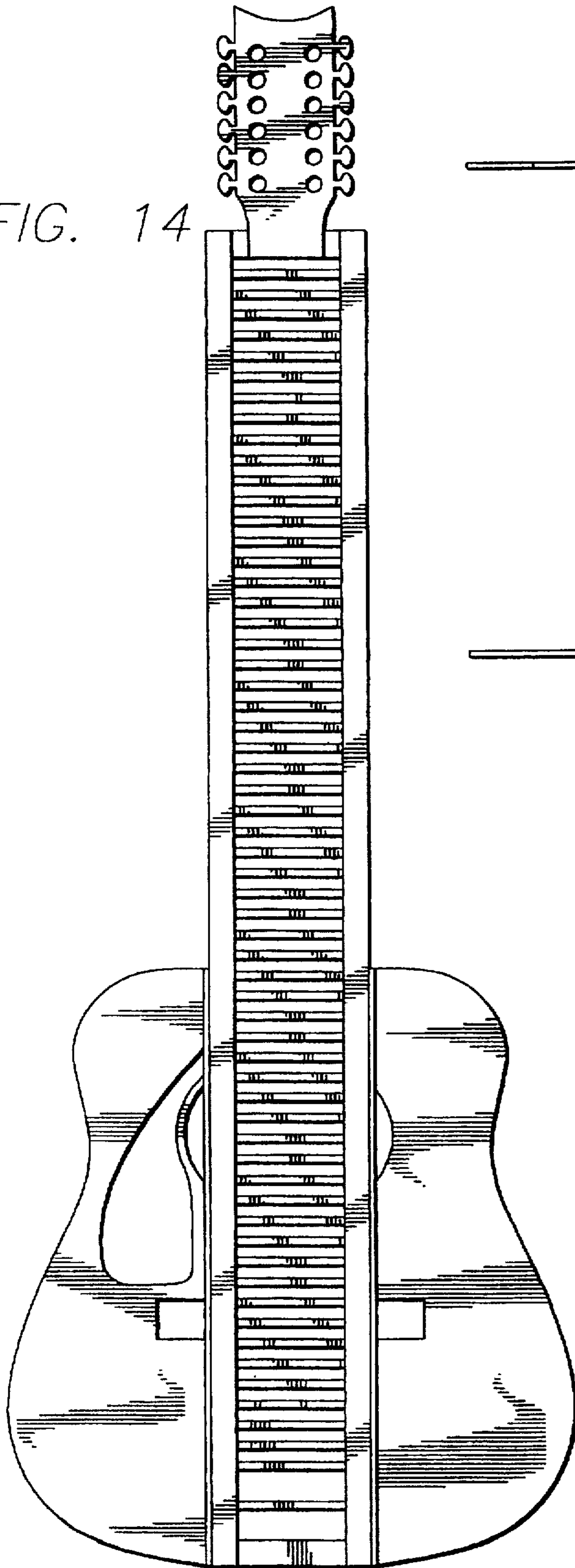


FIG. 15



FIG. 16

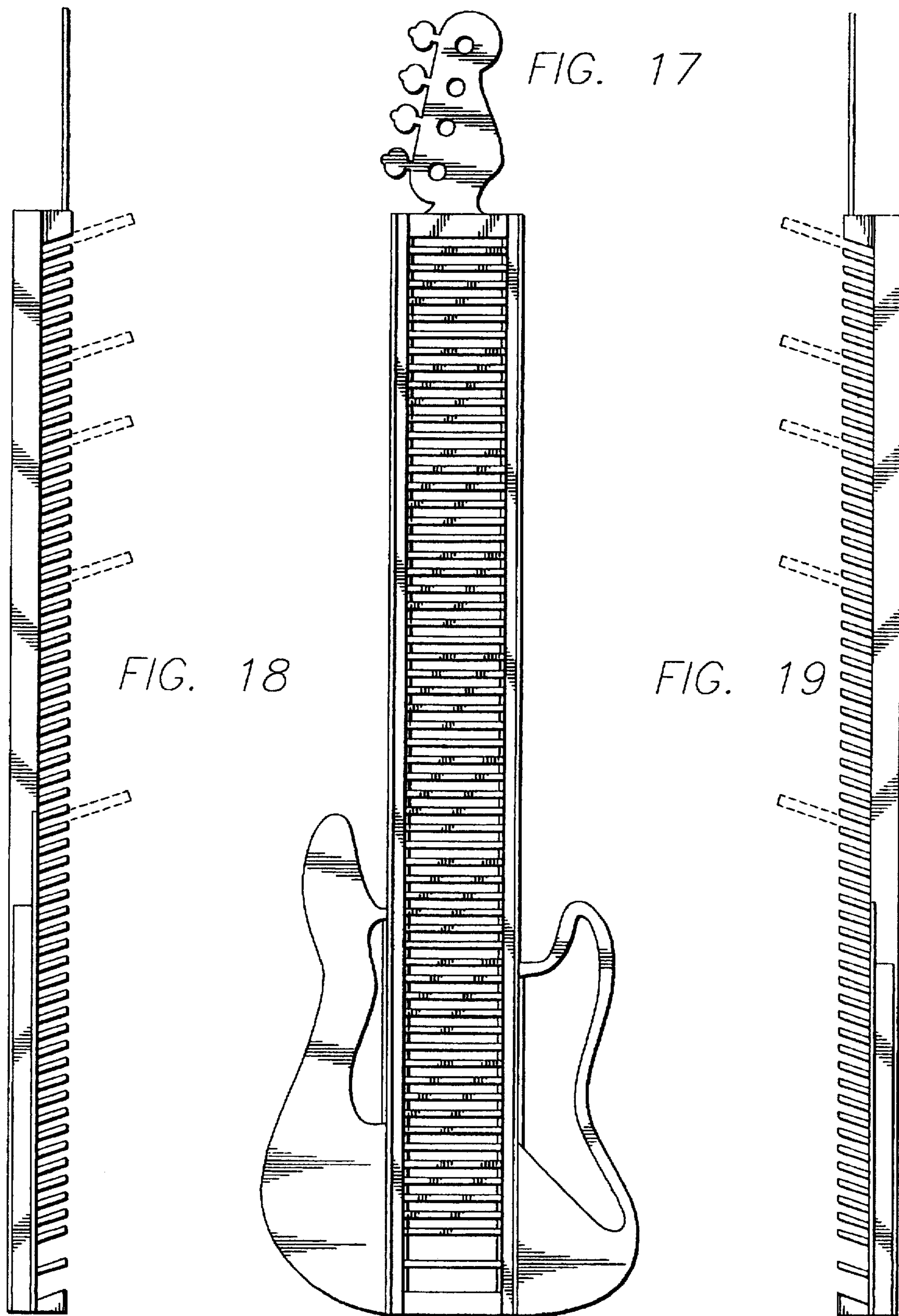


FIG. 17

FIG. 18

FIG. 19

FIG. 20

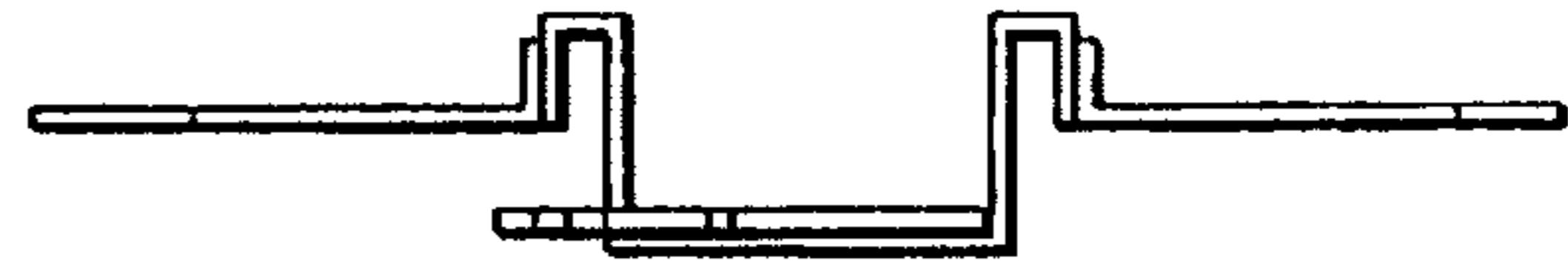
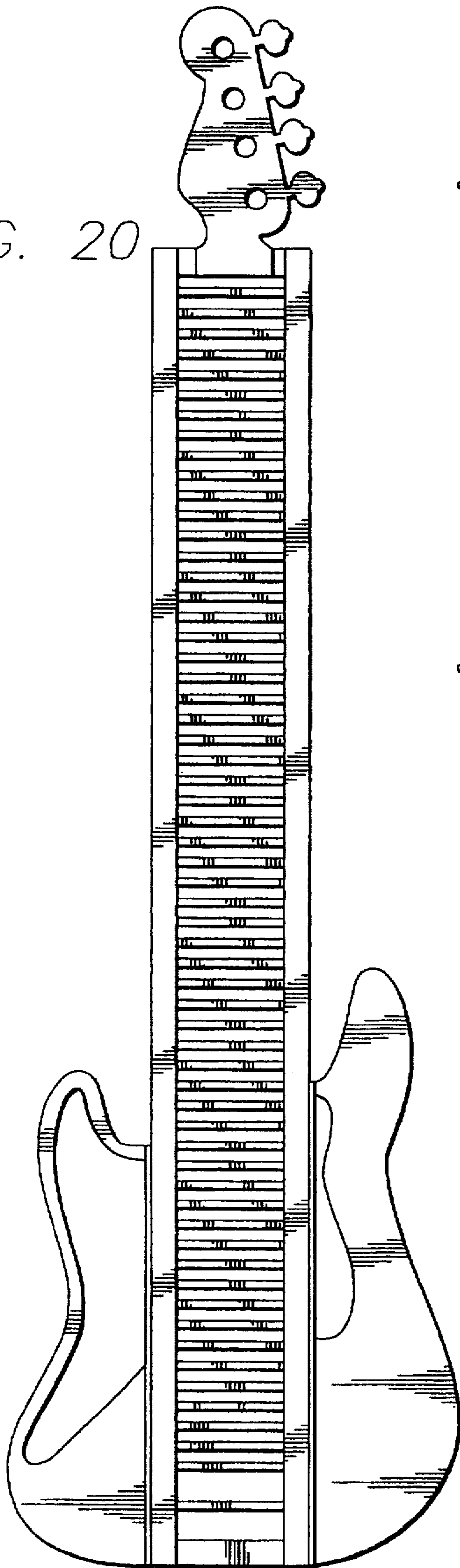


FIG. 21



FIG. 22

FIG. 23

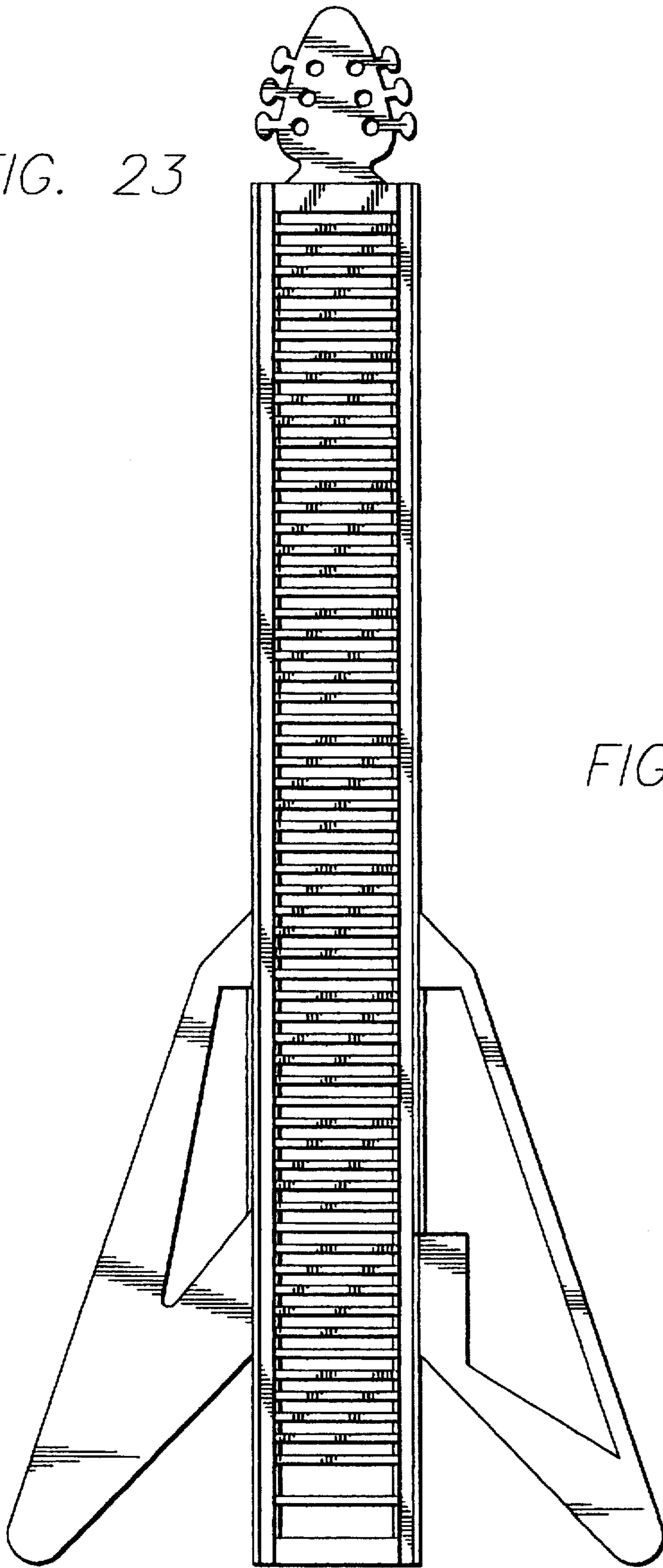


FIG. 24



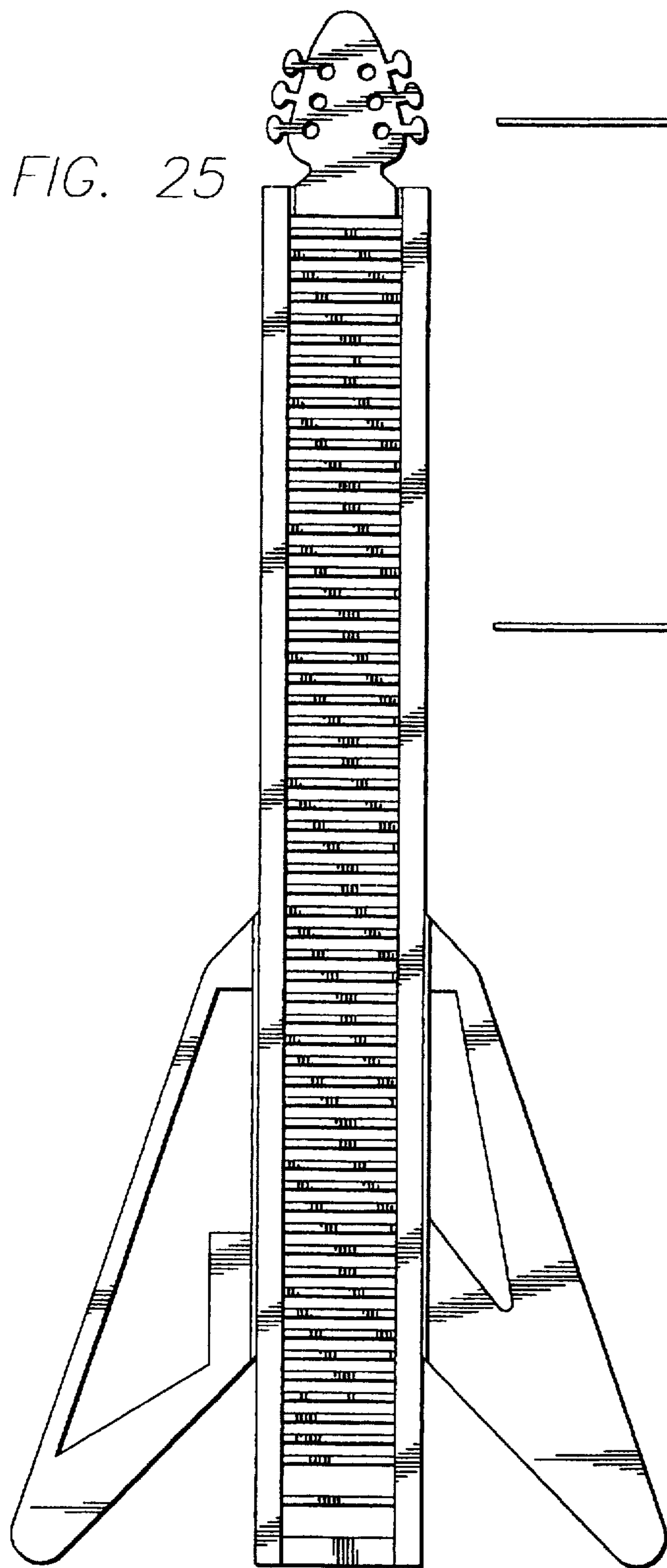


FIG. 26

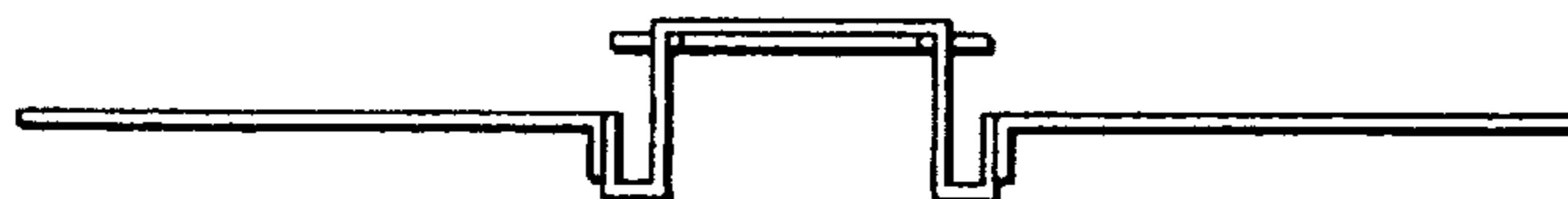


FIG. 27



FIG. 29

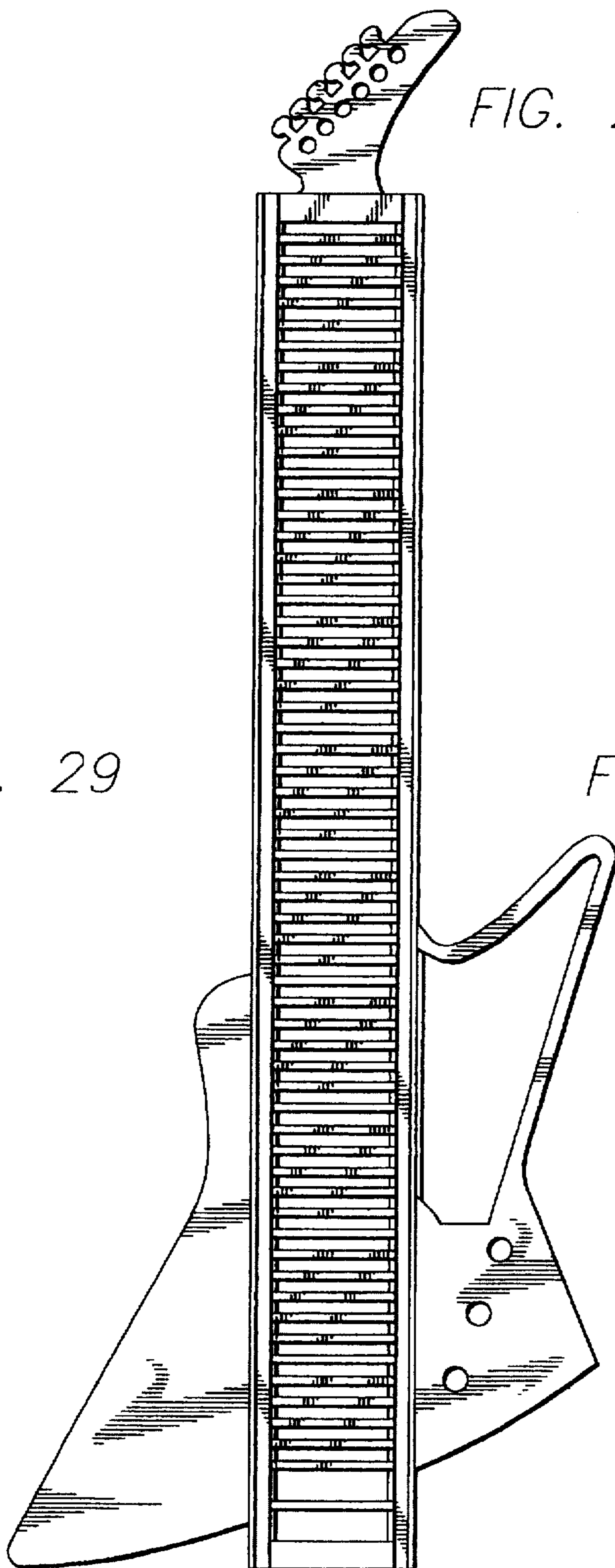


FIG. 28

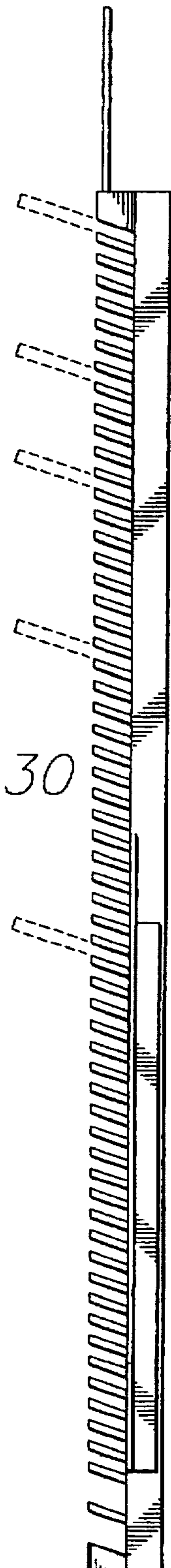


FIG. 30

FIG. 31

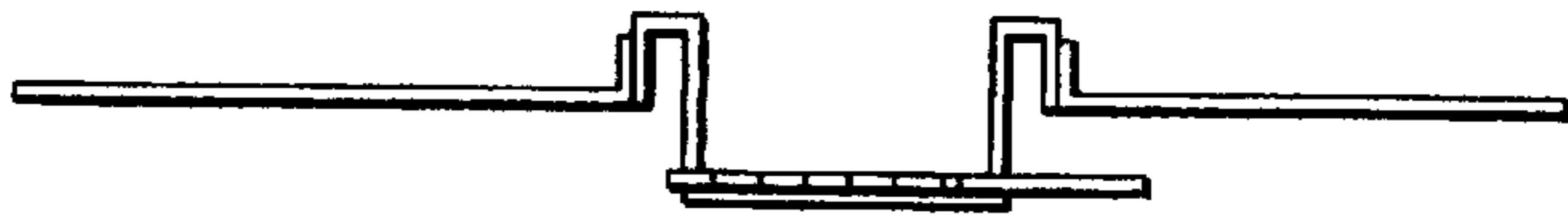
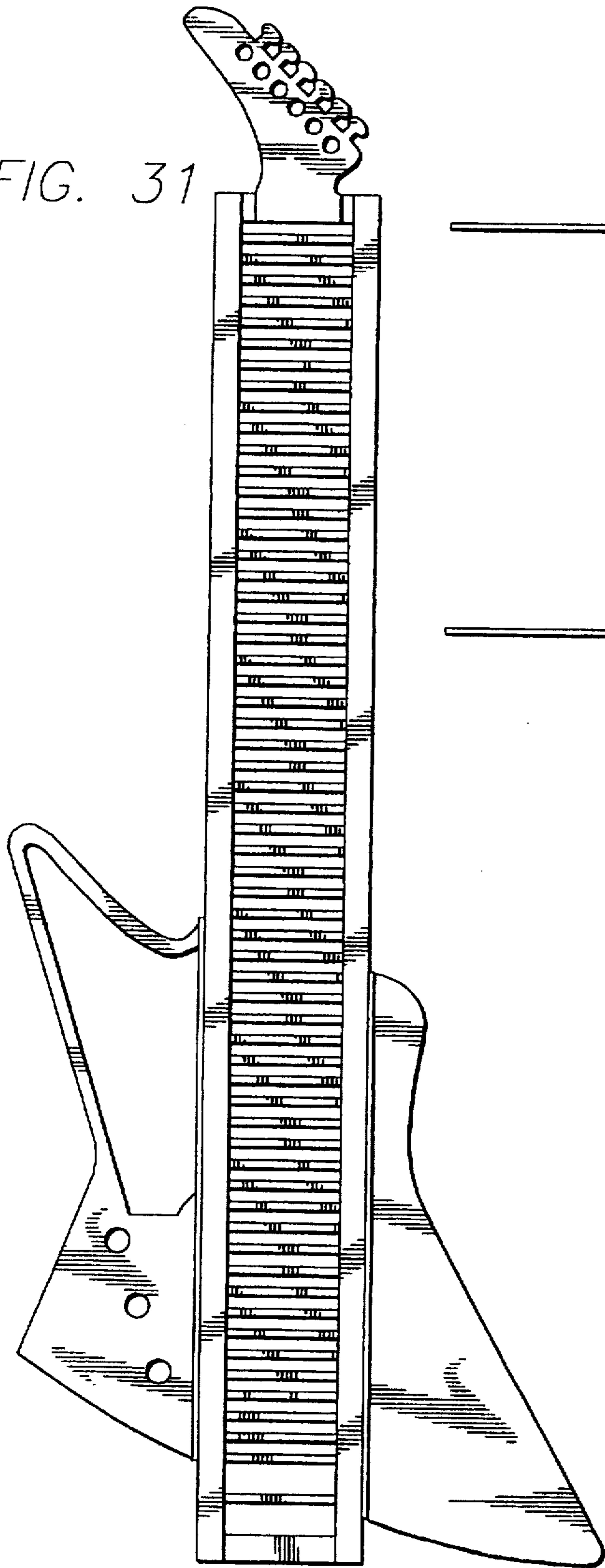


FIG. 32

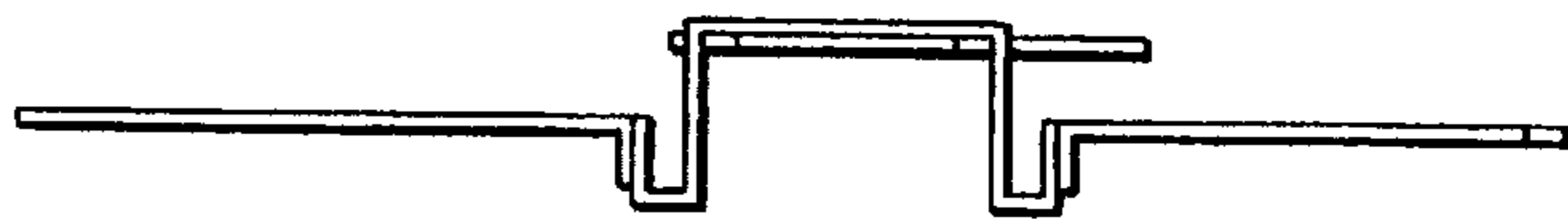


FIG. 33

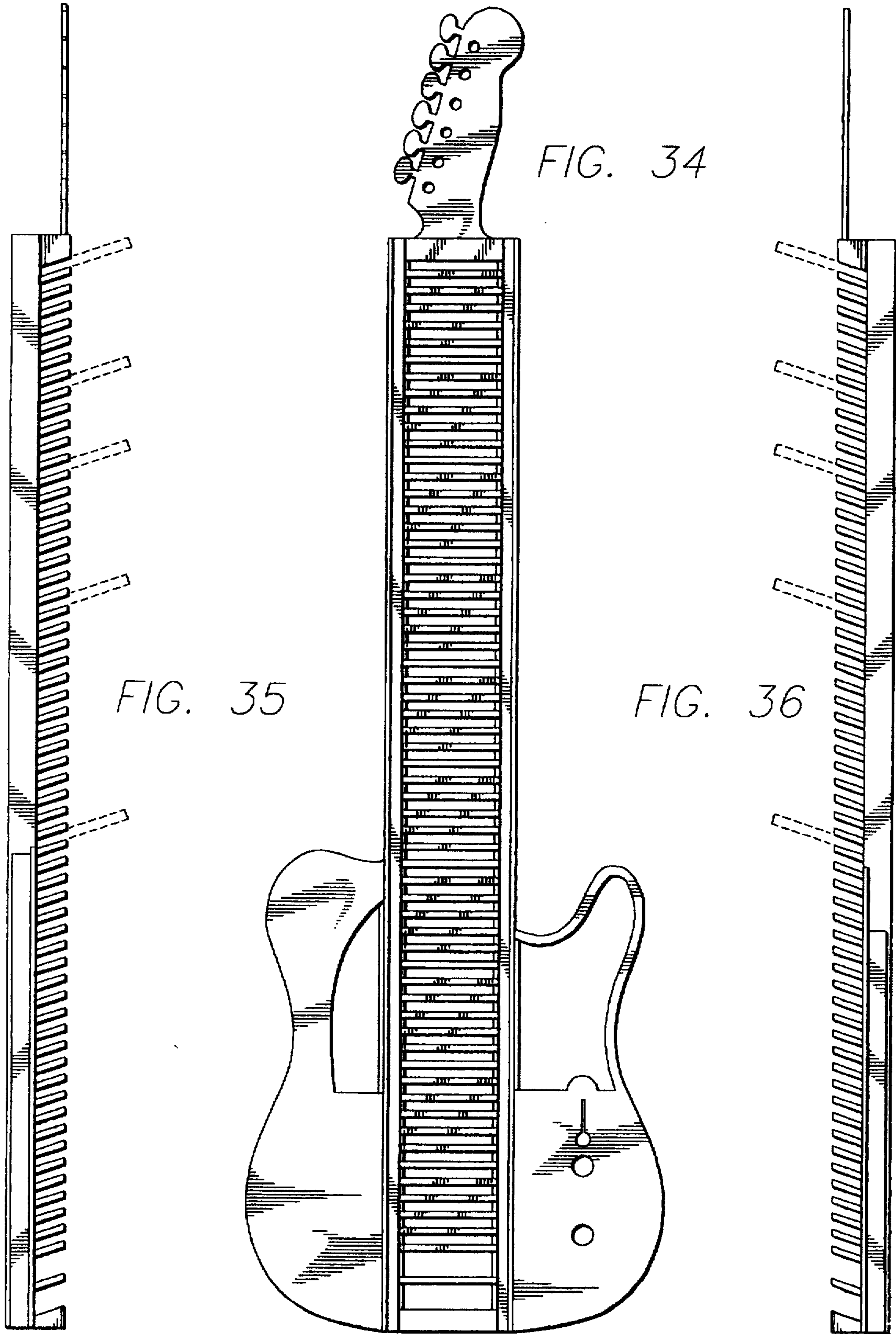


FIG. 37

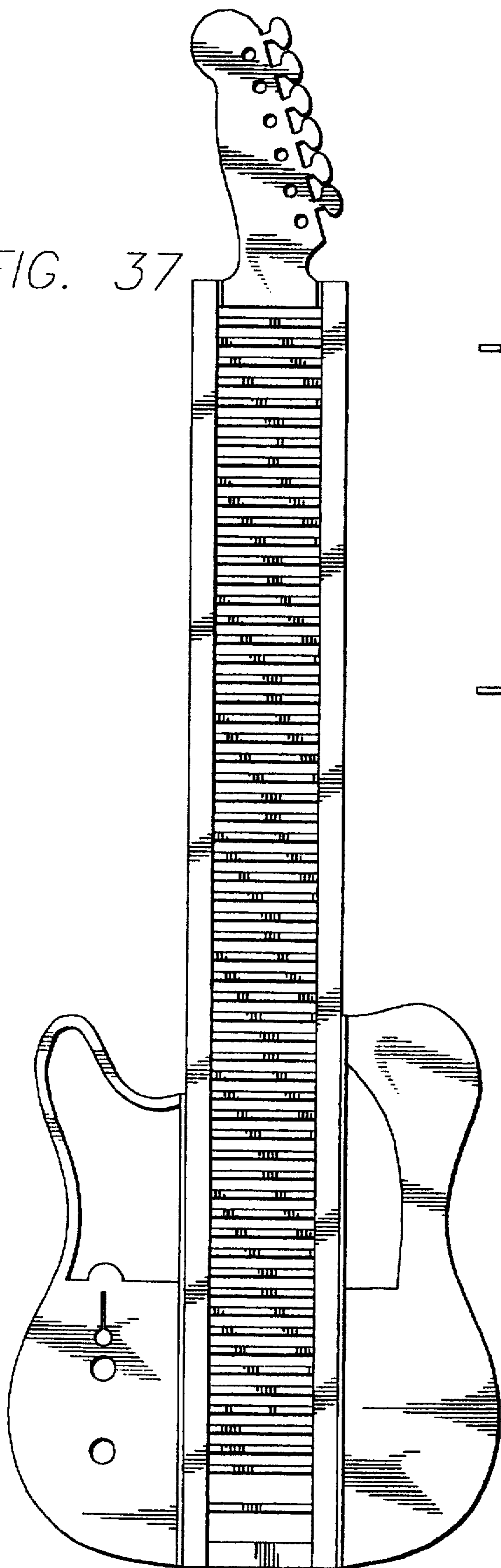


FIG. 38

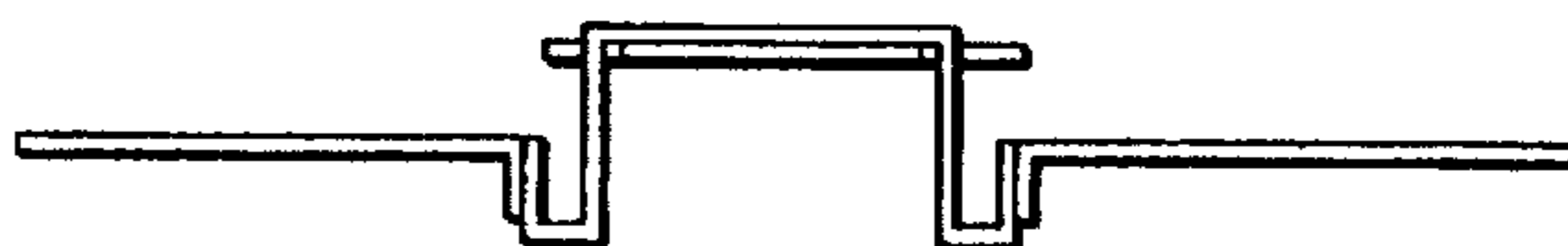


FIG. 39

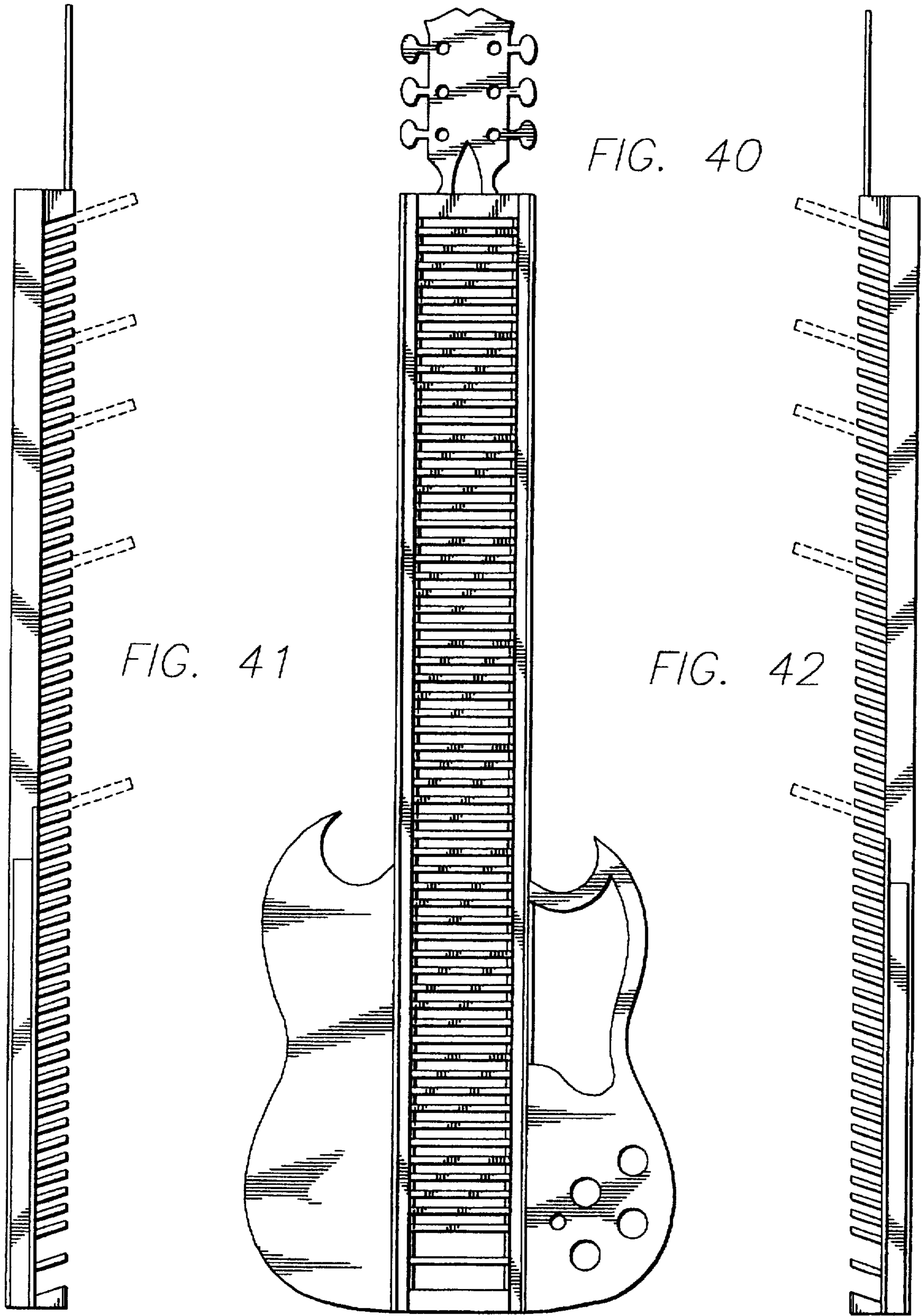


FIG. 43

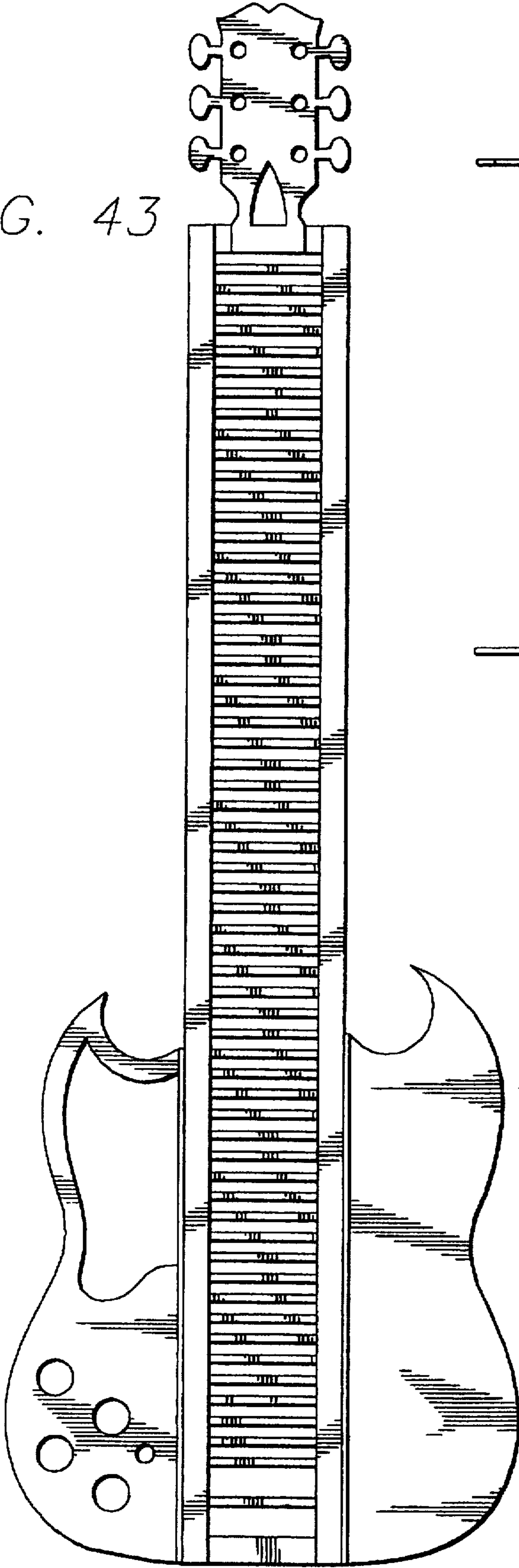


FIG. 44



FIG. 45

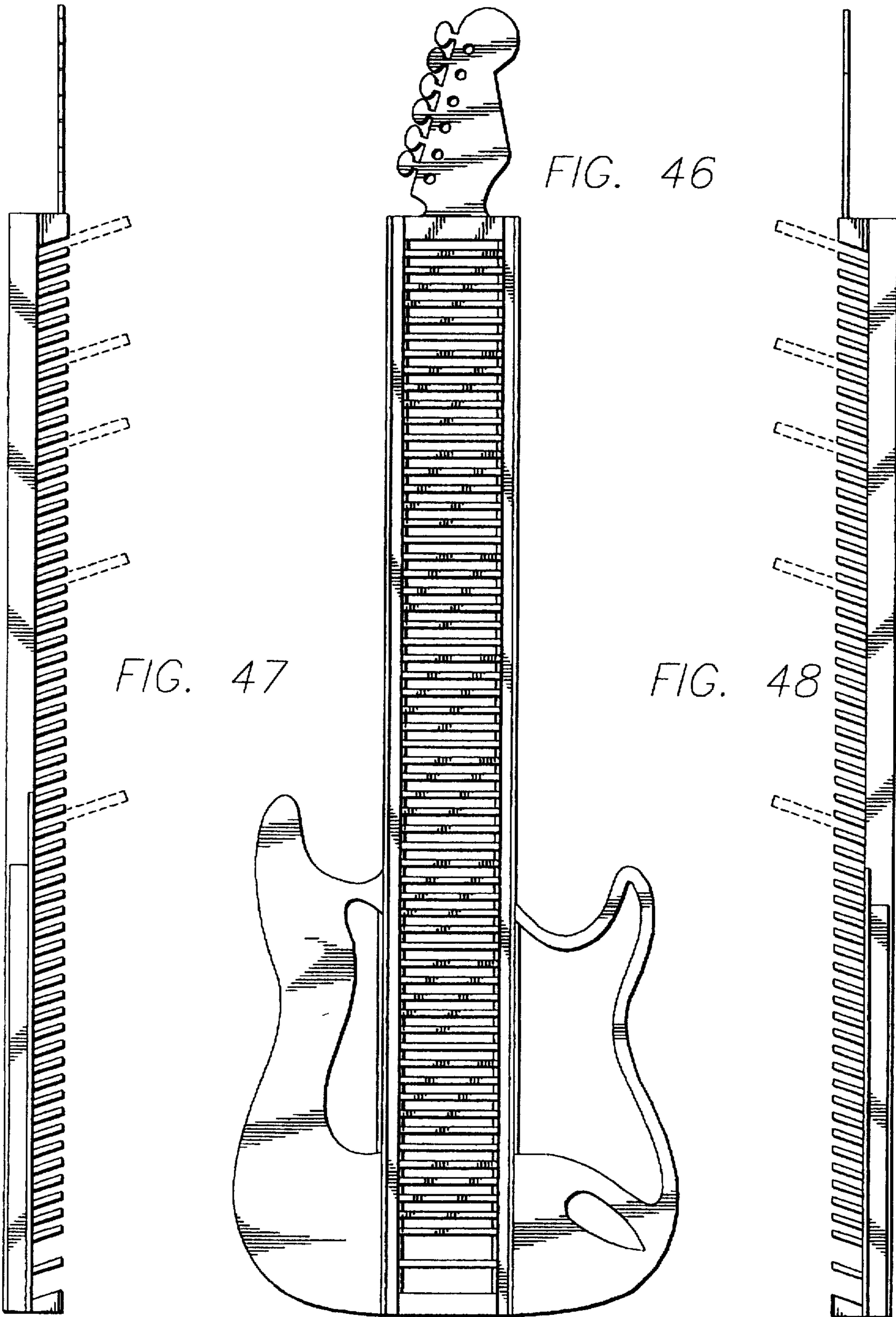


FIG. 46

FIG. 47

FIG. 48

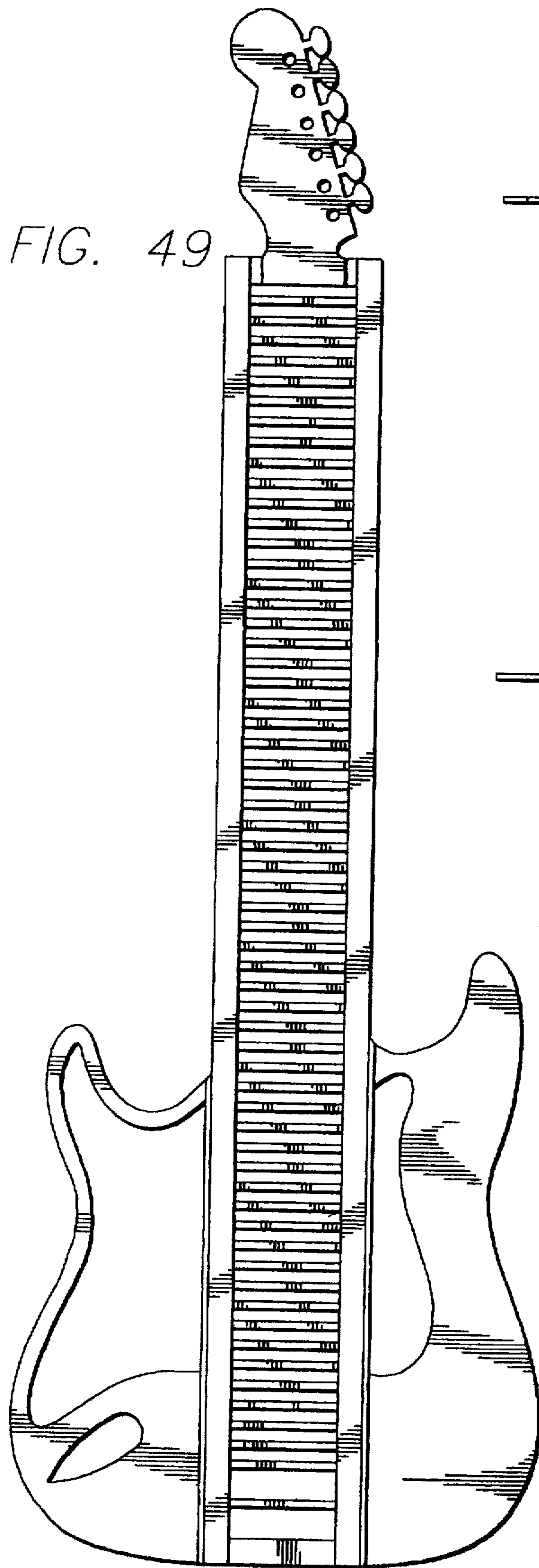


FIG. 50

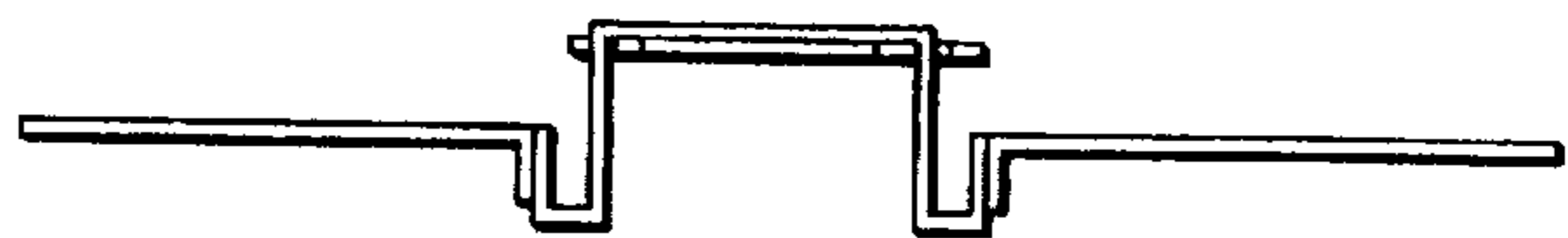


FIG. 51

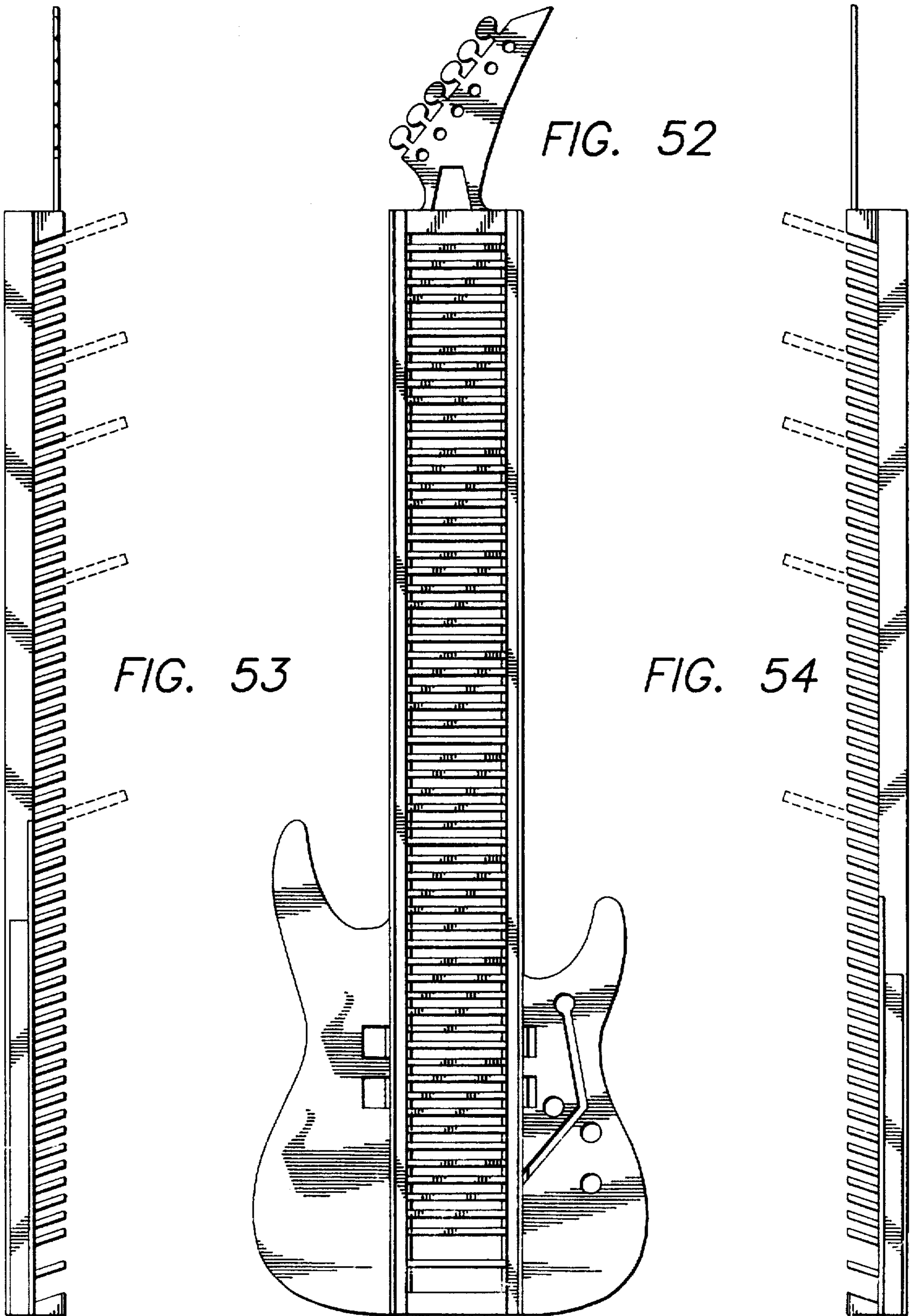


FIG. 55

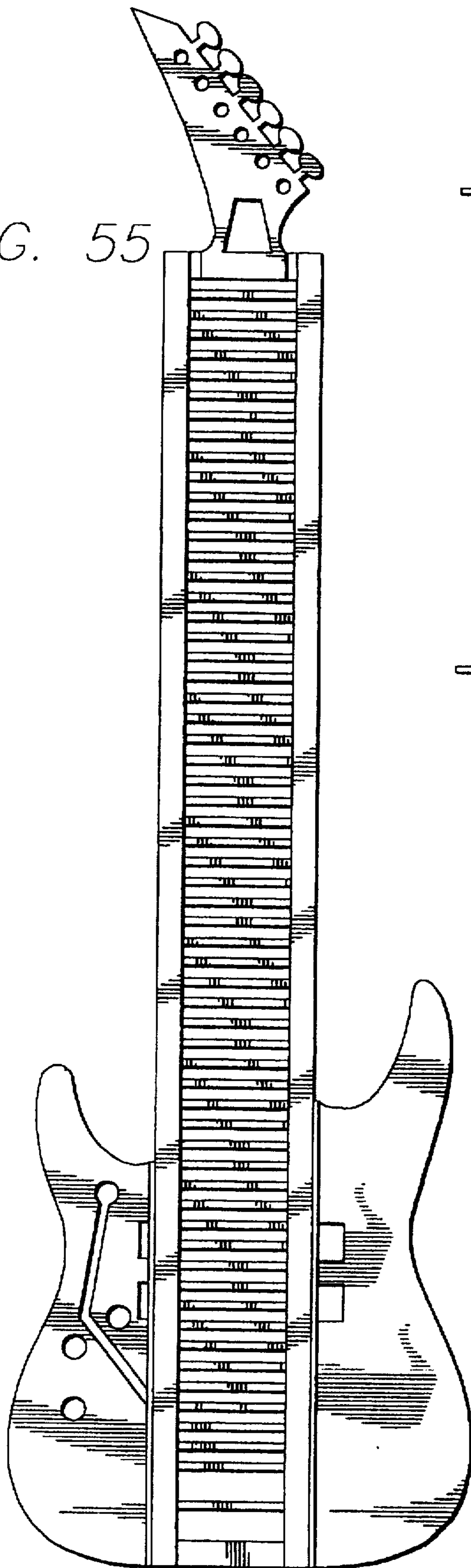


FIG. 56

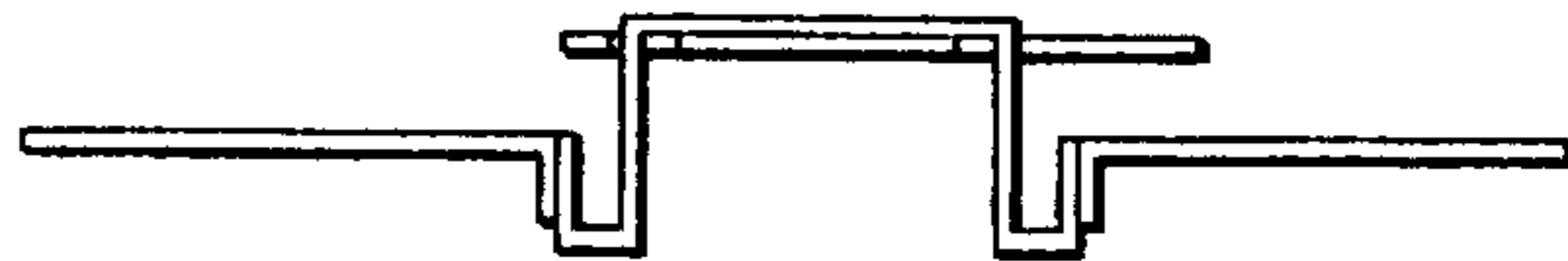
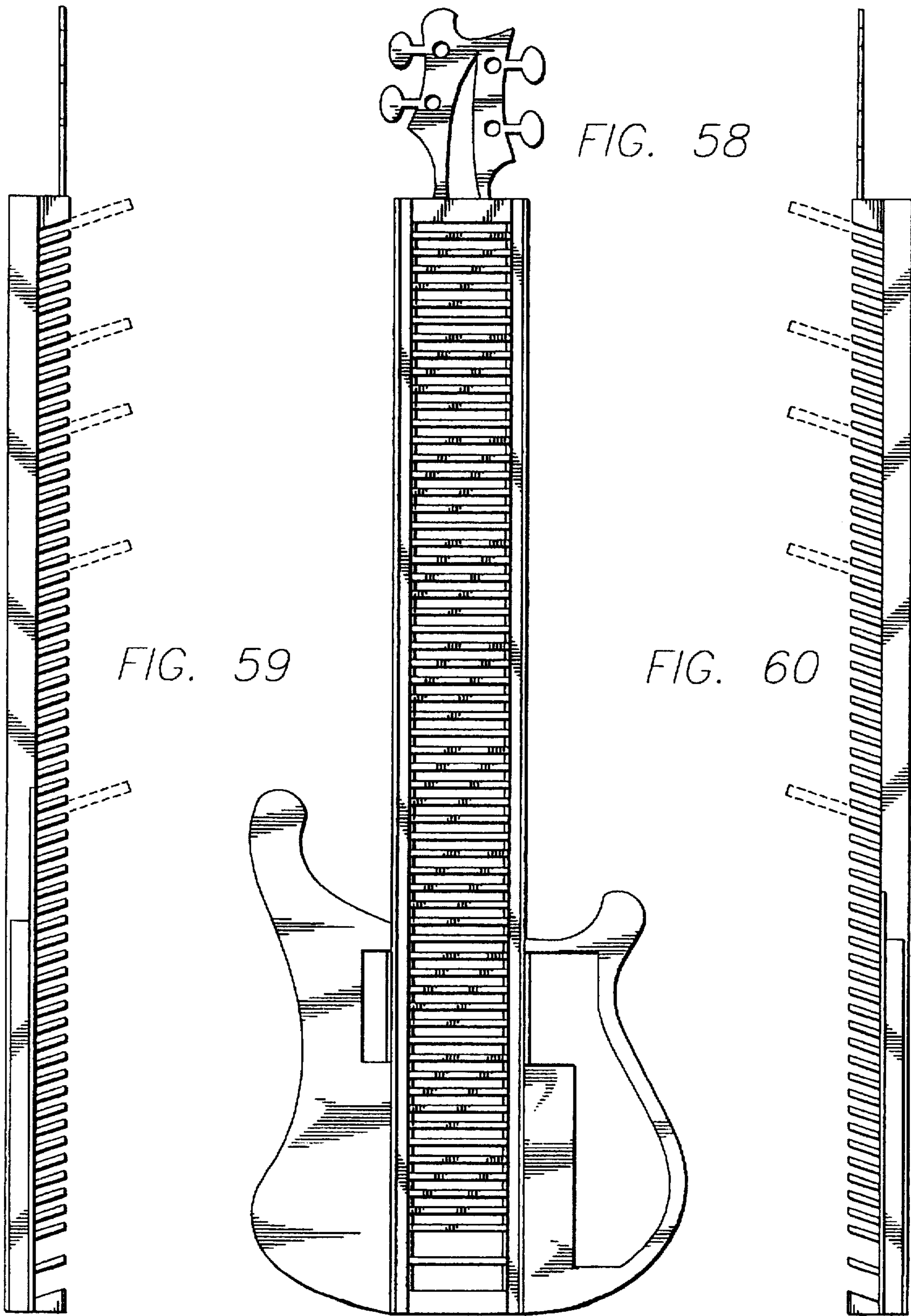


FIG. 57



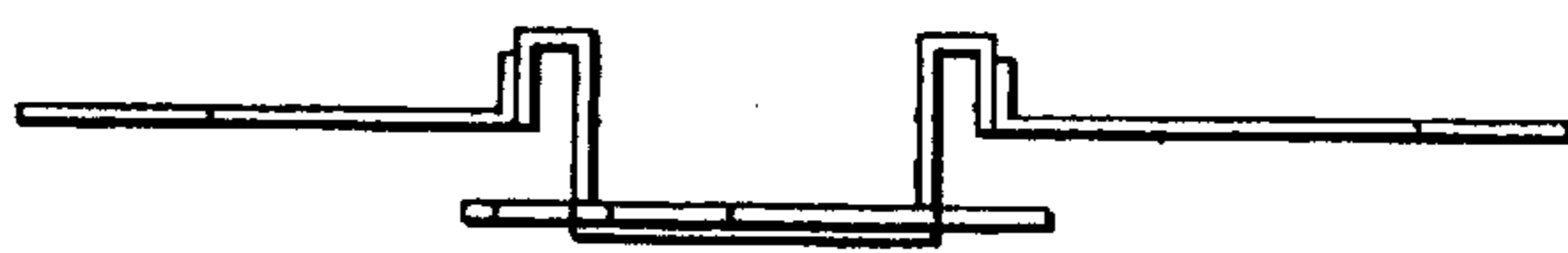
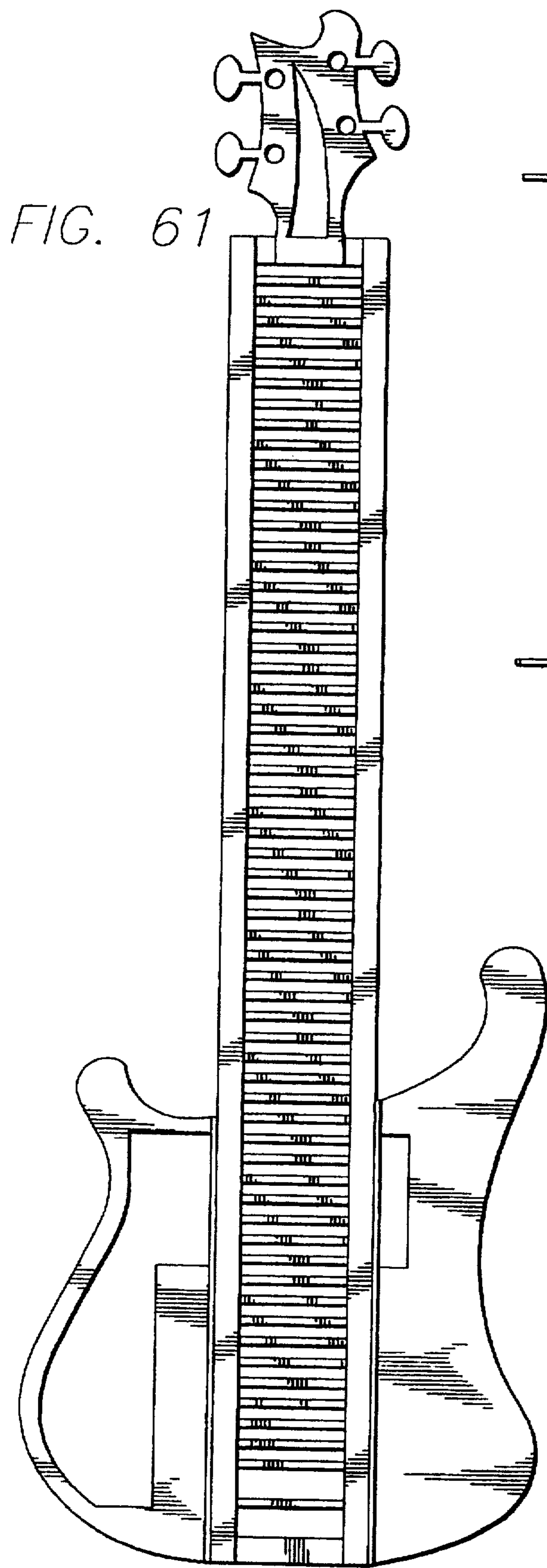


FIG. 62

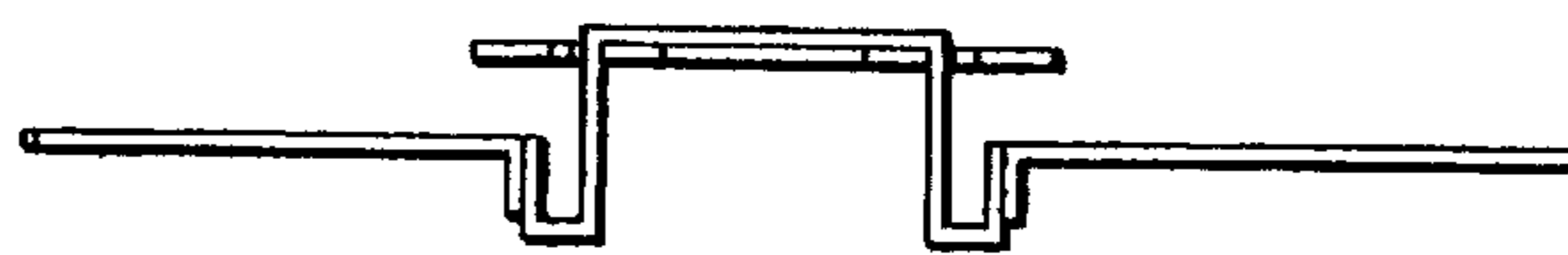


FIG. 63