



US00D364987S

United States Patent [19]
Chow

[11] **Patent Number: Des. 364,987**
[45] **Date of Patent: **Dec. 12, 1995**

[54] **COMPACT DISC HOLDER**

[75] Inventor: **Tat C. Chow**, Kowloon Tong, Hong Kong

[73] Assignee: **Sun Hing Audio Equipment Manufactory Limited**, Hong Kong

[**] Term: **14 Years**

[21] Appl. No.: **9,456**

[22] Filed: **Jun. 11, 1993**

[30] **Foreign Application Priority Data**

Dec. 15, 1992 [GB] United Kingdom 2027817

[52] U.S. Cl. **D6/629**; D6/407

[58] Field of Search D3/201, 206; D6/407, D6/408, 626, 628, 629, 630, 631, 632, 634, 635; D19/75, 76; 206/444, 445, 450, 473, 485, 486, 1.8, 1.9, 45.13, 309, 310, 311, 312; 211/184, 59.4

[56] **References Cited**

U.S. PATENT DOCUMENTS

D. 199,423 10/1964 Probst D6/407
D. 232,334 8/1974 Neilsen D19/76
D. 248,962 8/1978 Glaubinger et al. D19/76
D. 266,336 9/1982 Leib, III D19/76

D. 322,885 1/1992 Chedid D6/629
D. 333,910 3/1993 Rorke D6/407
D. 336,482 6/1993 Machut D6/407
D. 346,284 4/1994 Lazarovic D6/407
5,115,919 5/1992 Dorman 211/184

OTHER PUBLICATIONS

Advertisement of BMG Music Service, 1993.
Advertisement of Best Buy Co., Inc., 1993.

Primary Examiner—Celia Murphy
Attorney, Agent, or Firm—Reinhart, Boerner, Van Deuren, Norris & Rieselbach

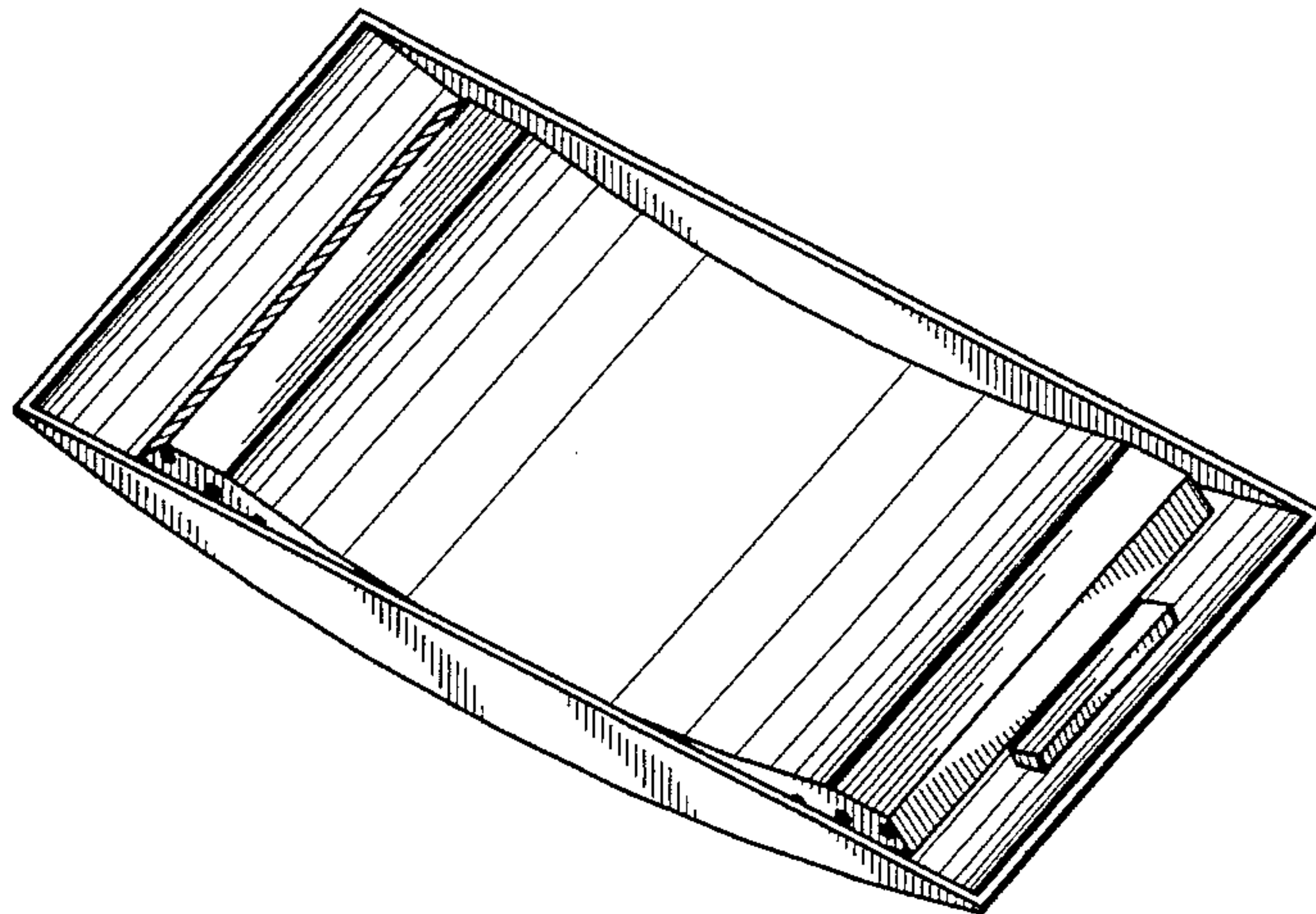
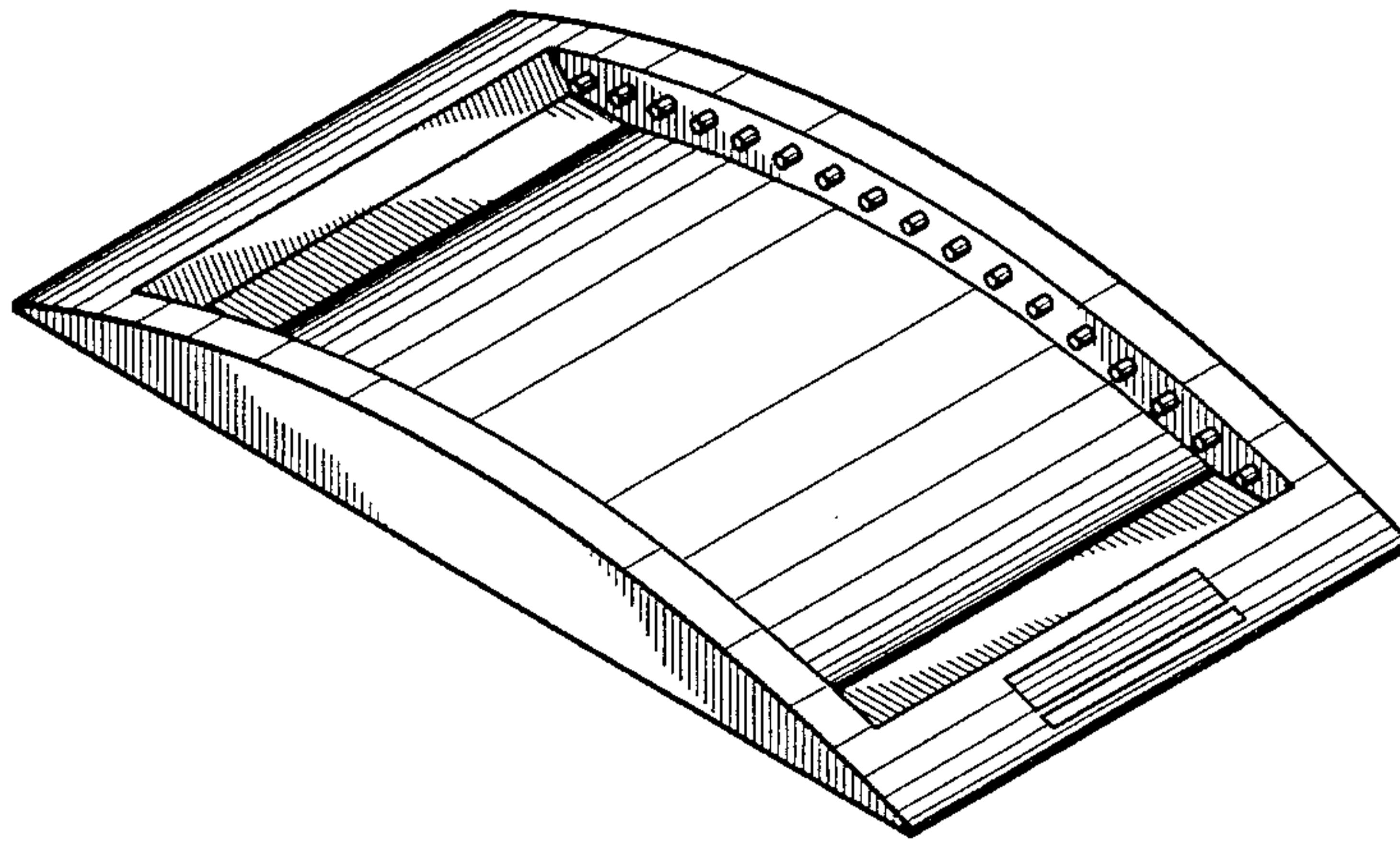
[57] **CLAIM**

The ornamental design for a compact disc holder, as shown and described.

DESCRIPTION

FIG. 1 is a top perspective view of a compact disc holder showing my new design, the undisclosed inner left details being mirror images of the inner right side; FIG. 2 is a side elevational view thereof, both sides being identical; FIG. 3 is a rear elevational view thereof; FIG. 4 is a bottom perspective view thereof; and, FIG. 5 is a bottom plan view thereof.

1 Claim, 2 Drawing Sheets



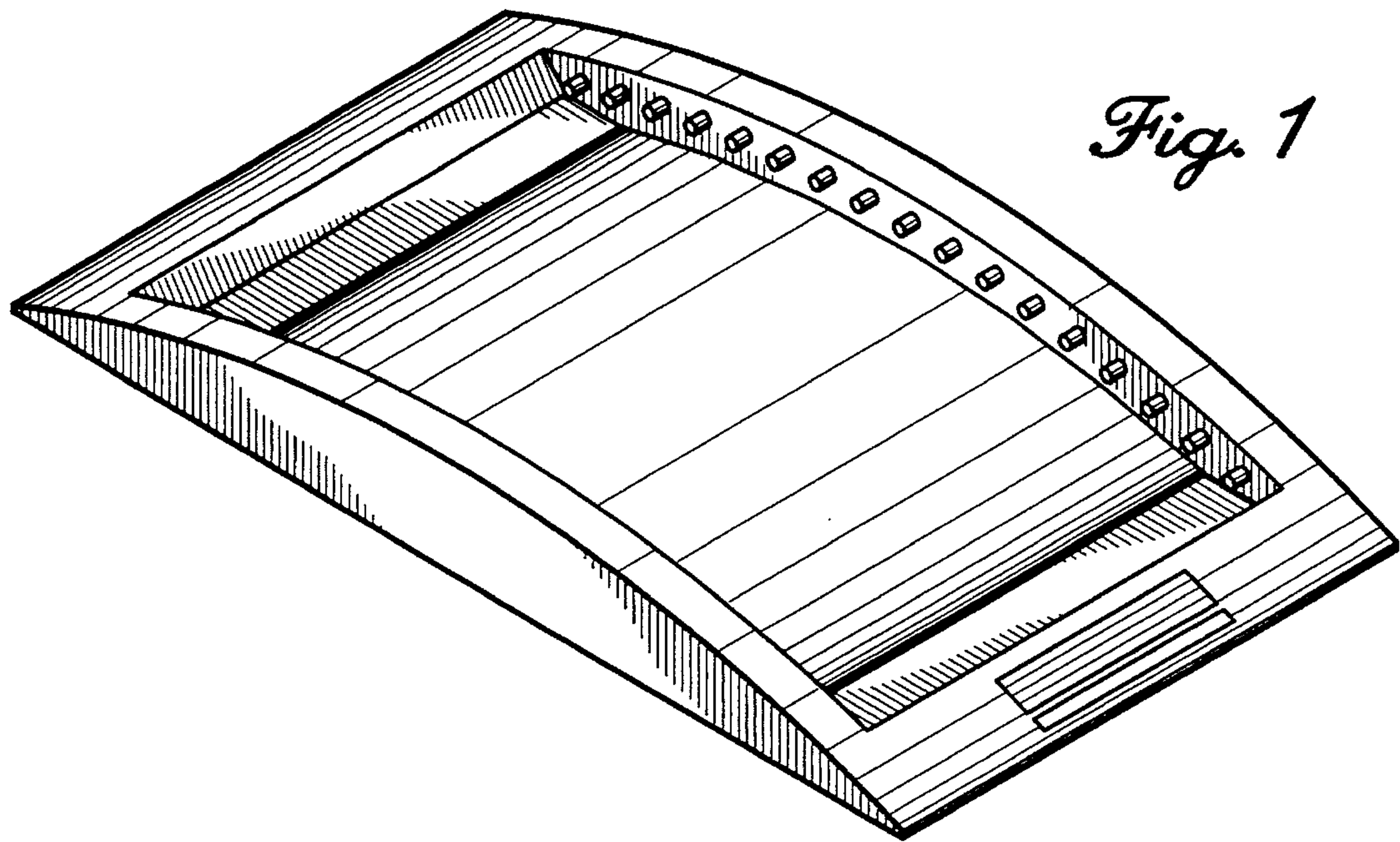


Fig. 2

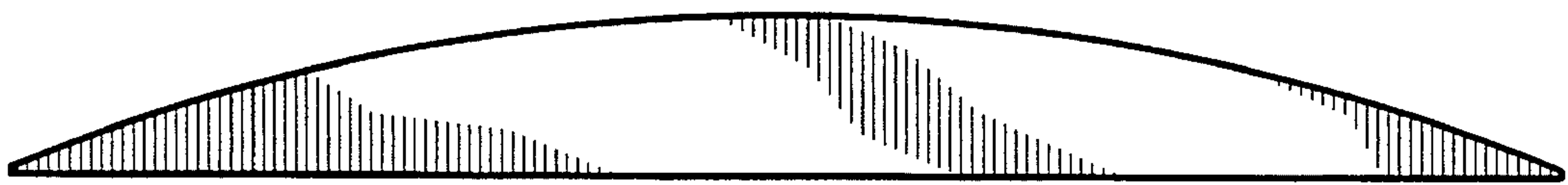
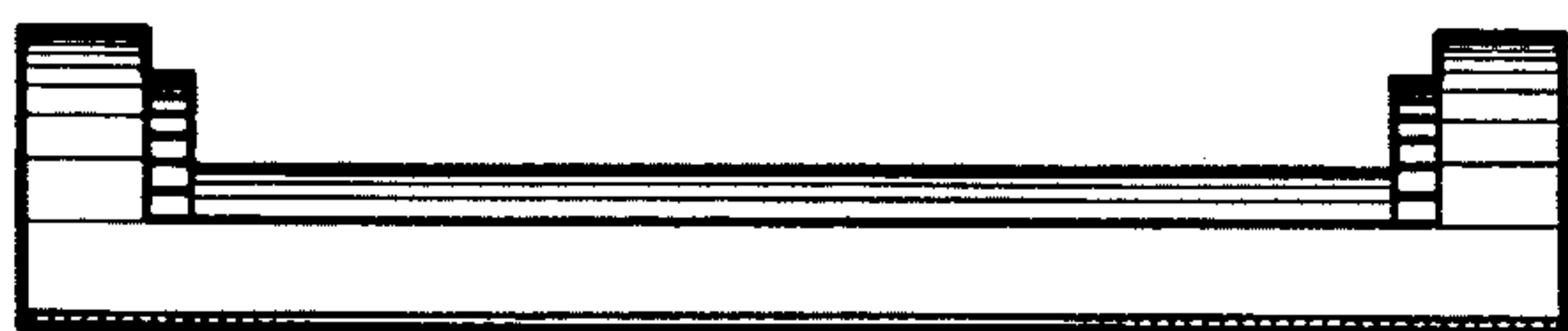


Fig. 3



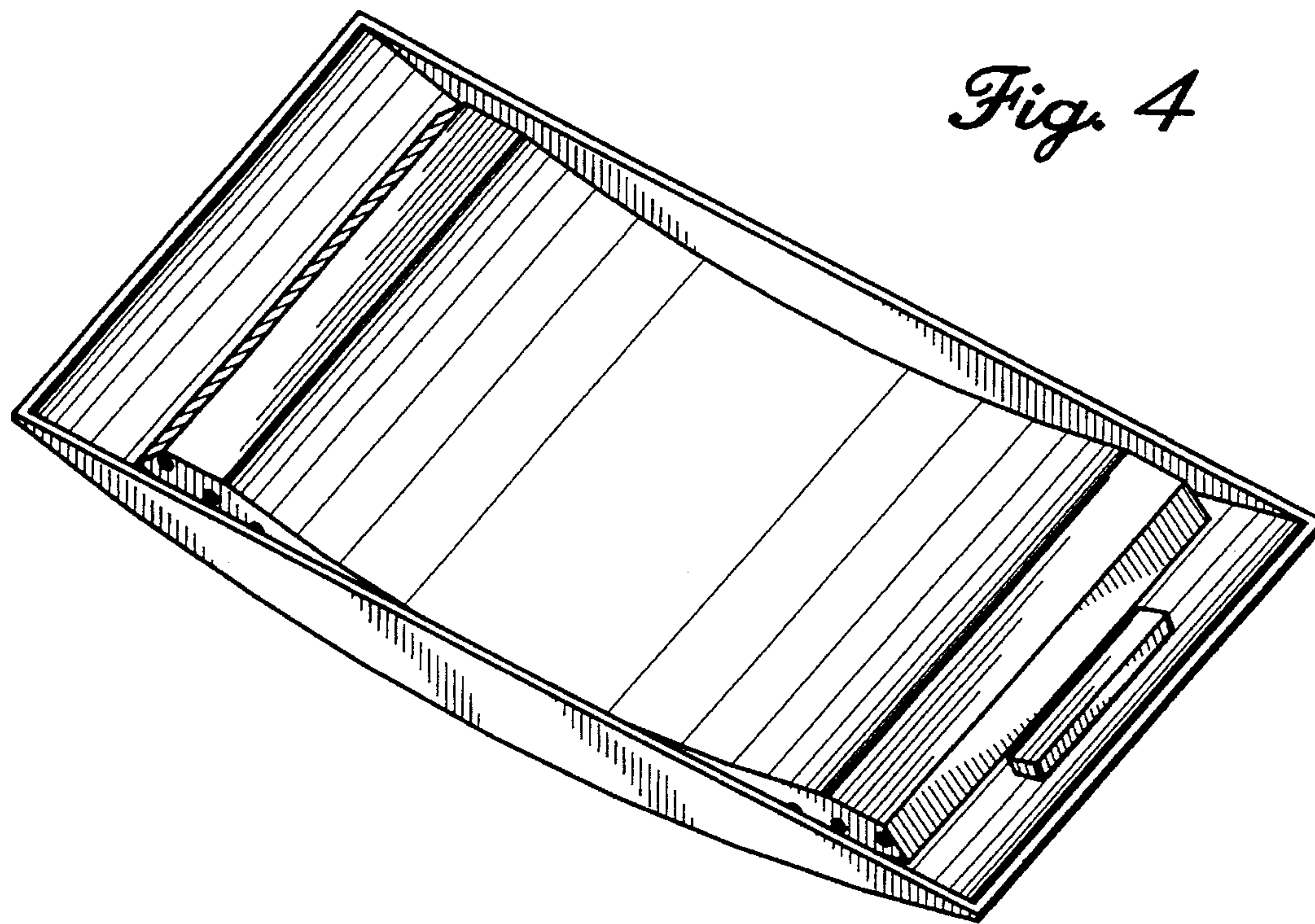


Fig. 4

Fig. 5

