



US00D364981S

**United States Patent** [19]  
**Horvath**

[11] **Patent Number: Des. 364,981**

[45] **Date of Patent: \*\*Dec. 12, 1995**

[54] **TABLE**

[76] Inventor: **Wayne Horvath**, #9 - 7165 Pandora Street, Burnaby, British Columbia, Canada, V5A 1B6

[\*\*] Term: **14 Years**

[21] Appl. No.: **27,770**

[22] Filed: **Aug. 31, 1994**

[30] **Foreign Application Priority Data**

Apr. 11, 1994 [CA] Canada ..... 1994-0711

[52] **U.S. Cl.** ..... **D6/486; D6/488**

[58] **Field of Search** ..... D6/480-489, 495, D6/497, 498, 499, 511, 451; 108/150, 153, 156, 161; 248/188, 188.1, 188.7

[56] **References Cited**

**U.S. PATENT DOCUMENTS**

- D. 164,365 8/1951 Hiebert ..... D6/486 X
- D. 290,796 7/1987 Becker ..... D6/480
- D. 306,107 2/1990 Grosfillex ..... D6/480
- D. 314,680 2/1991 McCarthy et al. .... D6/487

**OTHER PUBLICATIONS**

Interiors, Jun. 1973, p. 33, table at right.  
Schoner Wohnen, Apr. 1985, p. 202K.  
Brown Jordan, c 1986, p. 4, table at bottom.  
Brown Jordan, c 1986, p. 15, table at bottom.

*Primary Examiner*—Janice E. Seeger  
*Attorney, Agent, or Firm*—Brian M. Long

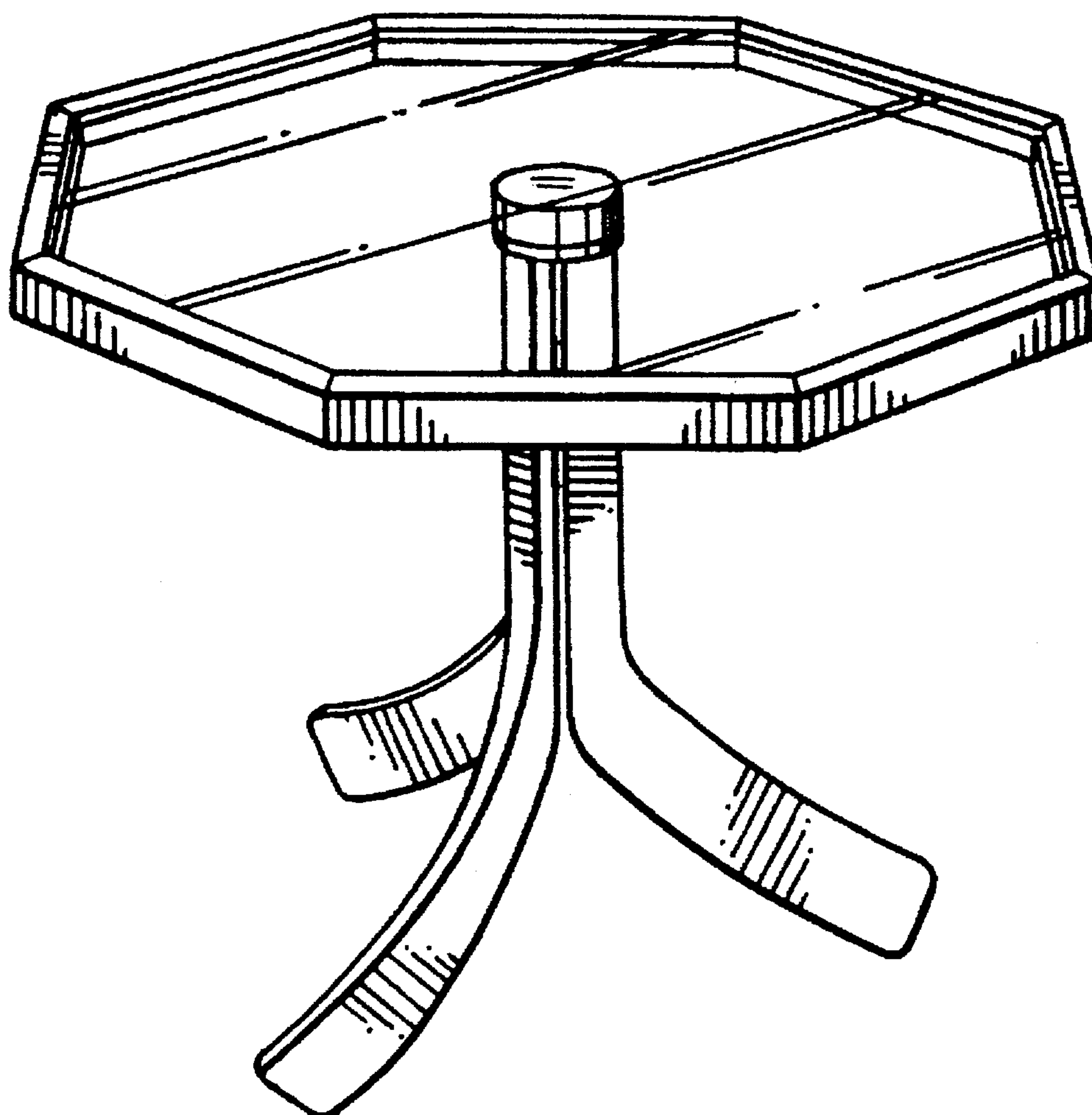
[57] **CLAIM**

The ornamental design for a table, as shown and described.

**DESCRIPTION**

FIG. 1 is a view in perspective thereof;  
FIG. 2 is a top plan view thereof;  
FIGS. 3 and 4 are side elevational views of opposite sides thereof;  
FIGS. 5 and 6 are front and rear elevational views thereof;  
FIG. 7 is a top plan view thereof; and,  
FIG. 8 is a view in perspective of a second embodiment of a table showing the new design.

**1 Claim, 4 Drawing Sheets**



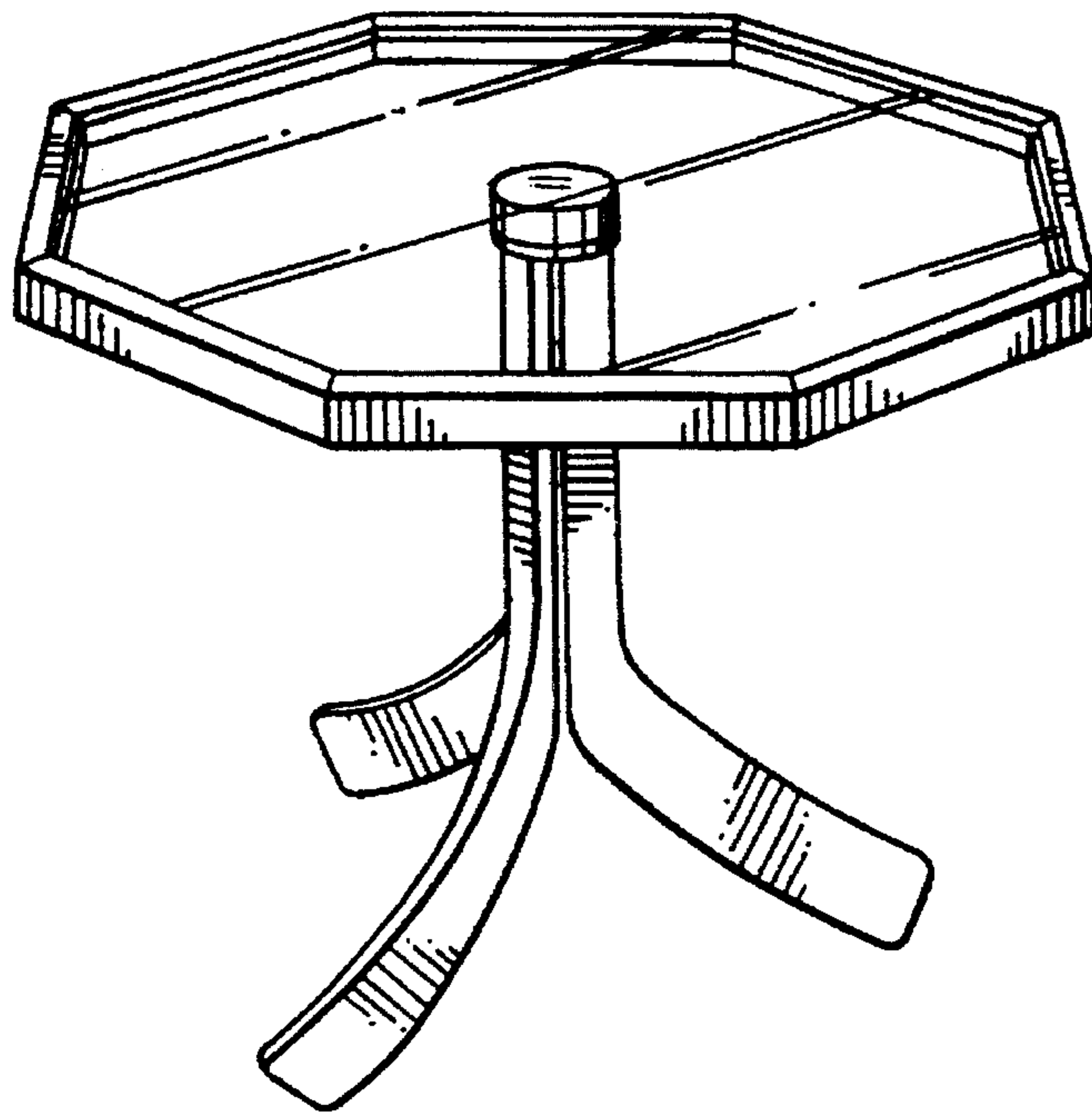


FIG. 1

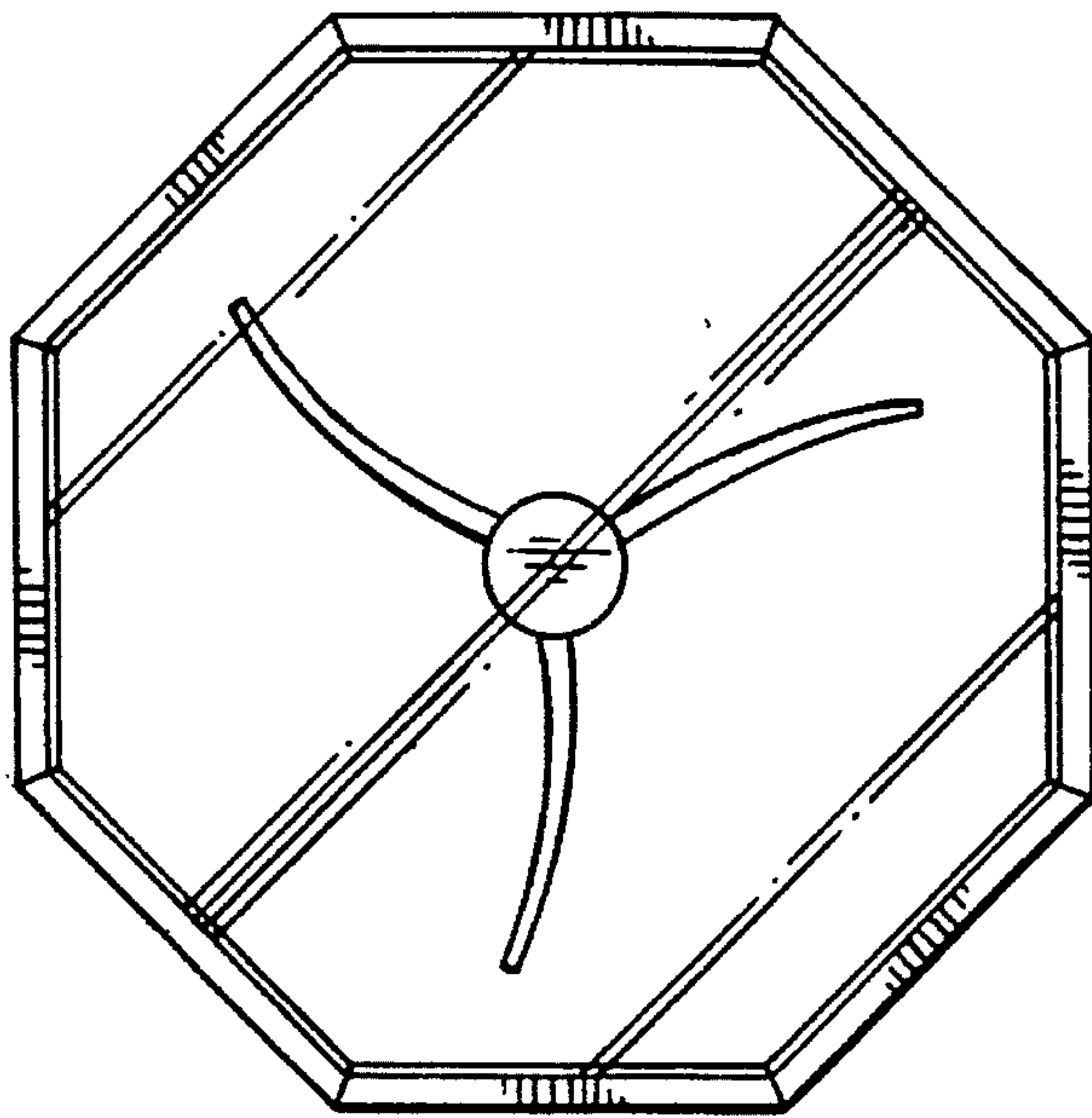


FIG. 2

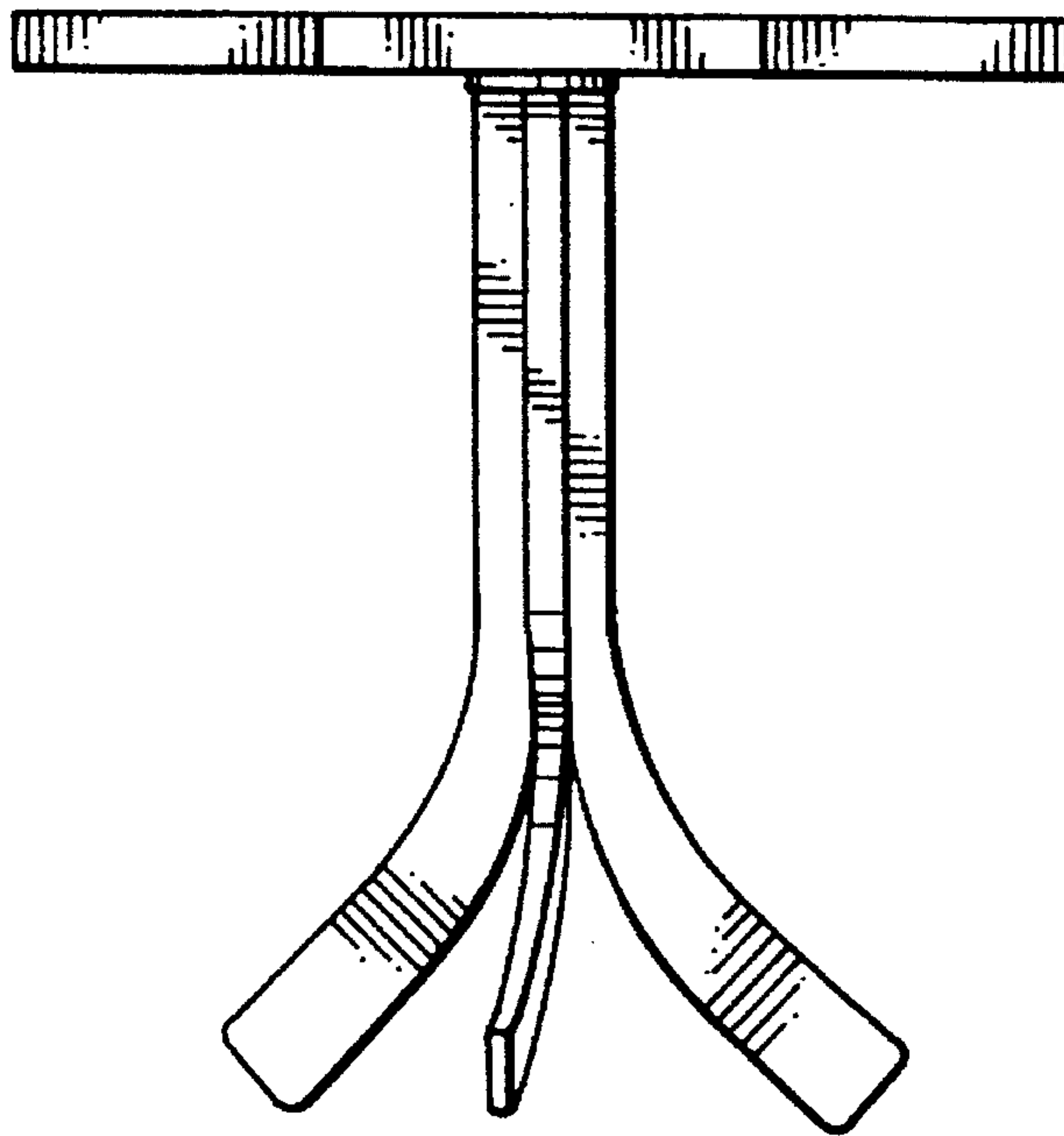


FIG. 3

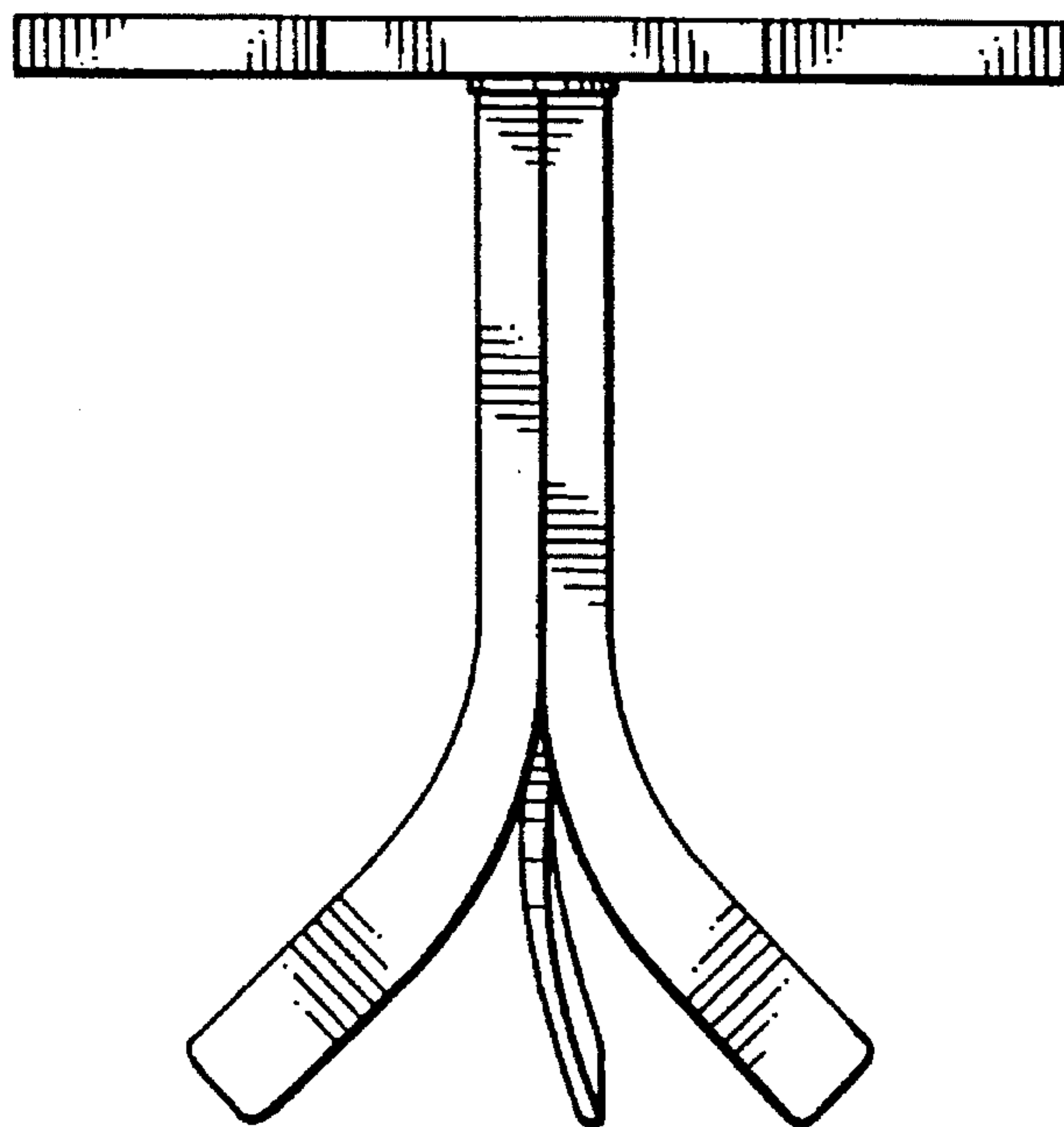


FIG. 4

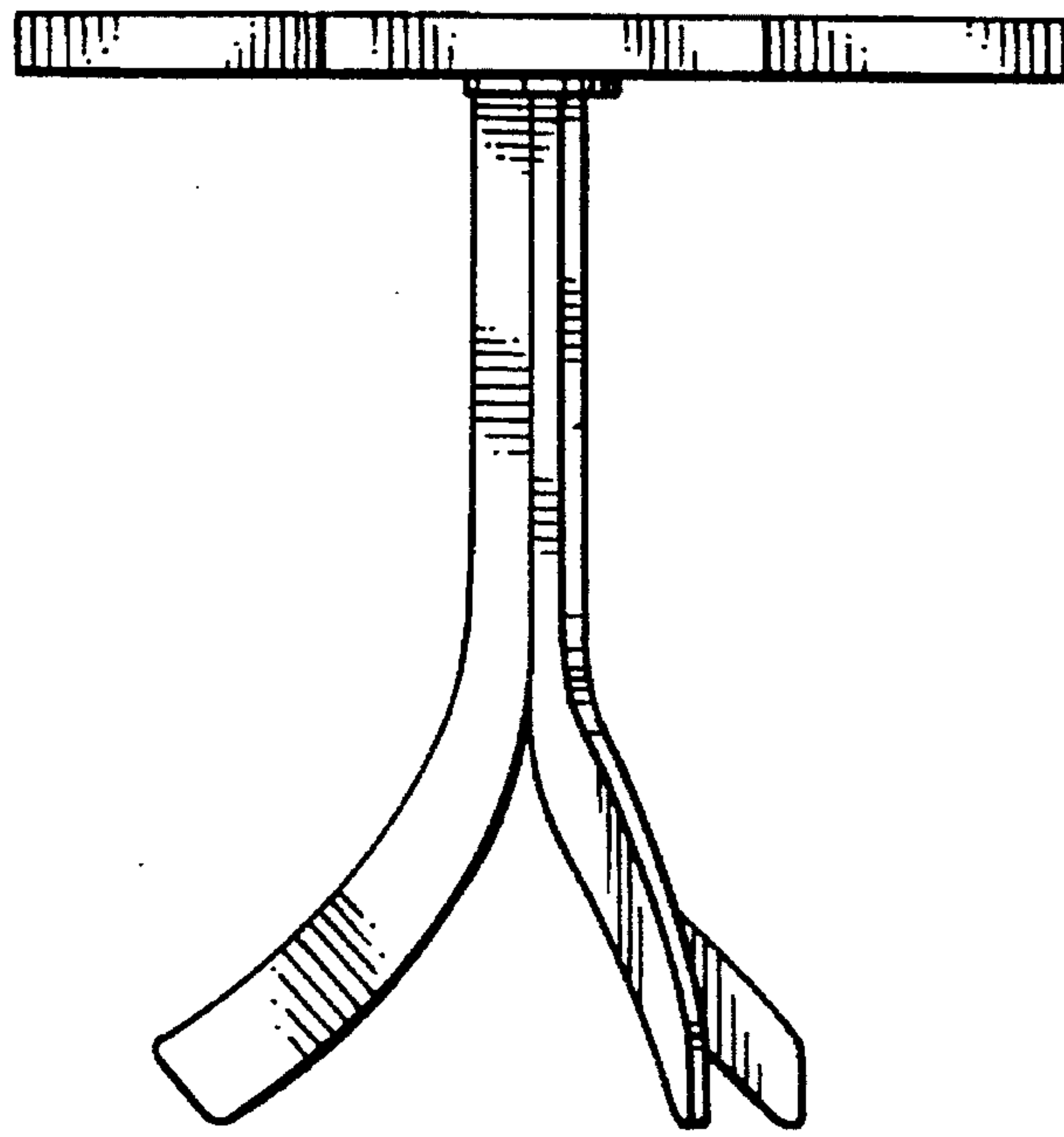


FIG. 5

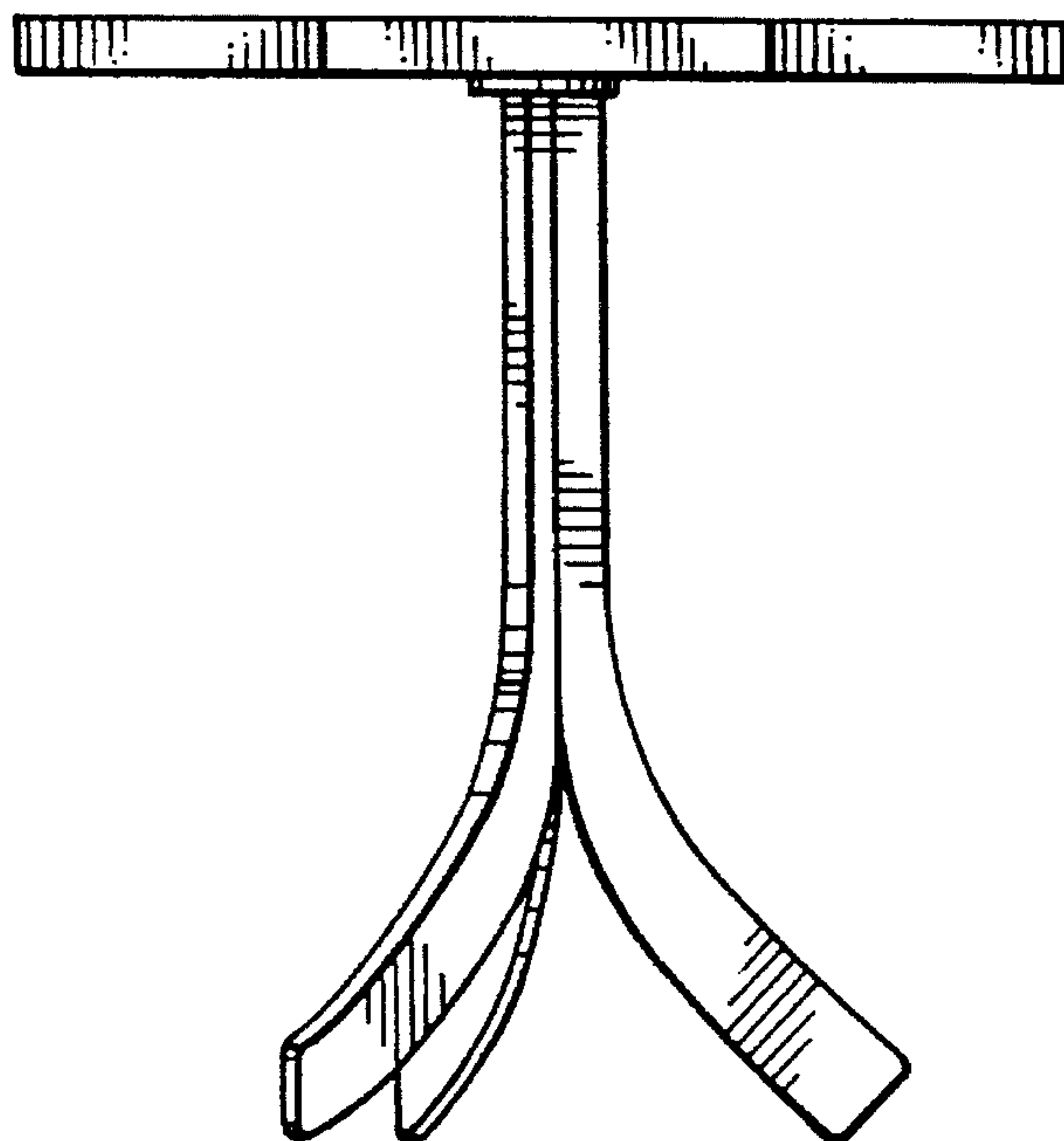


FIG. 6

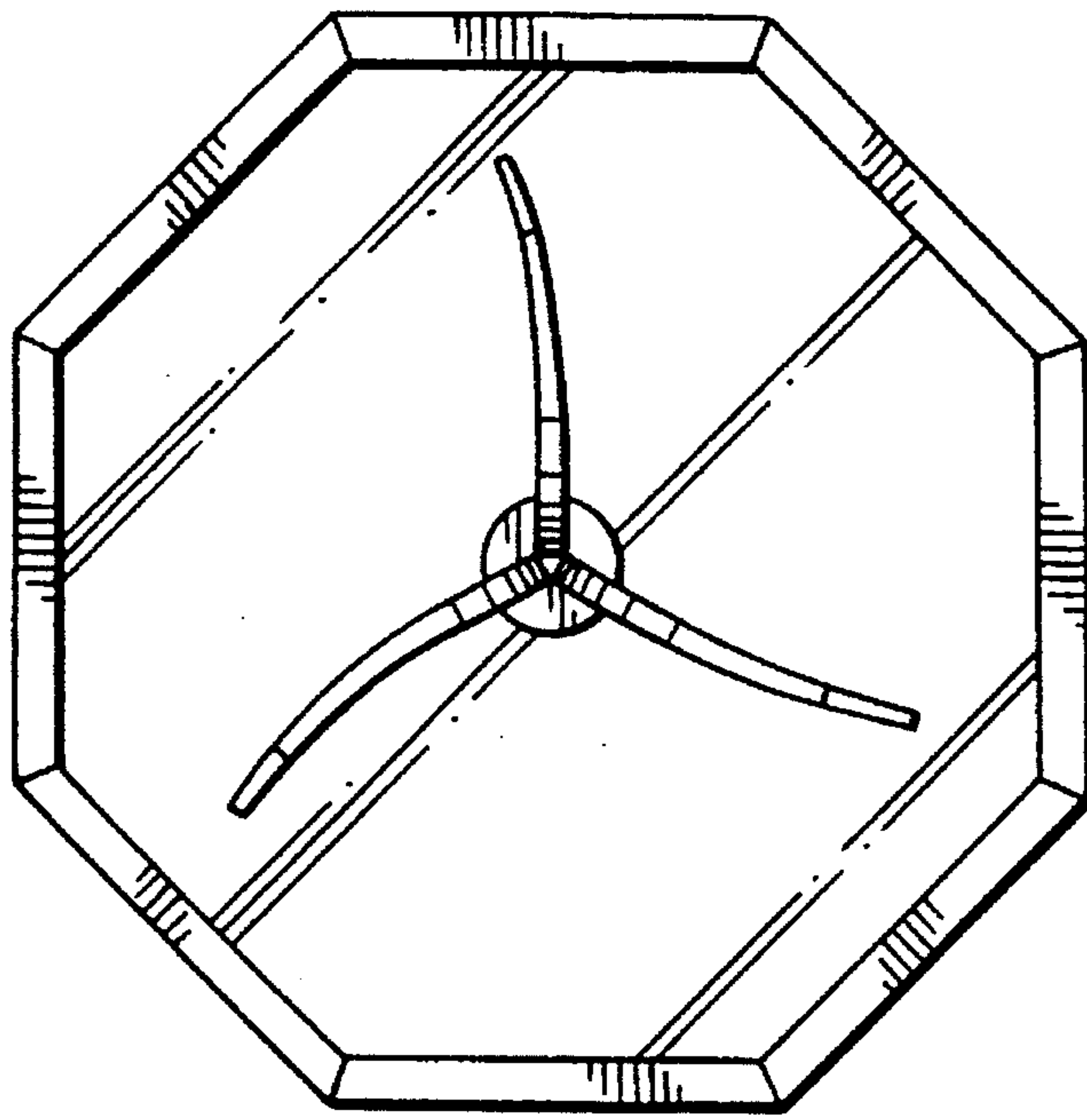


FIG. 7

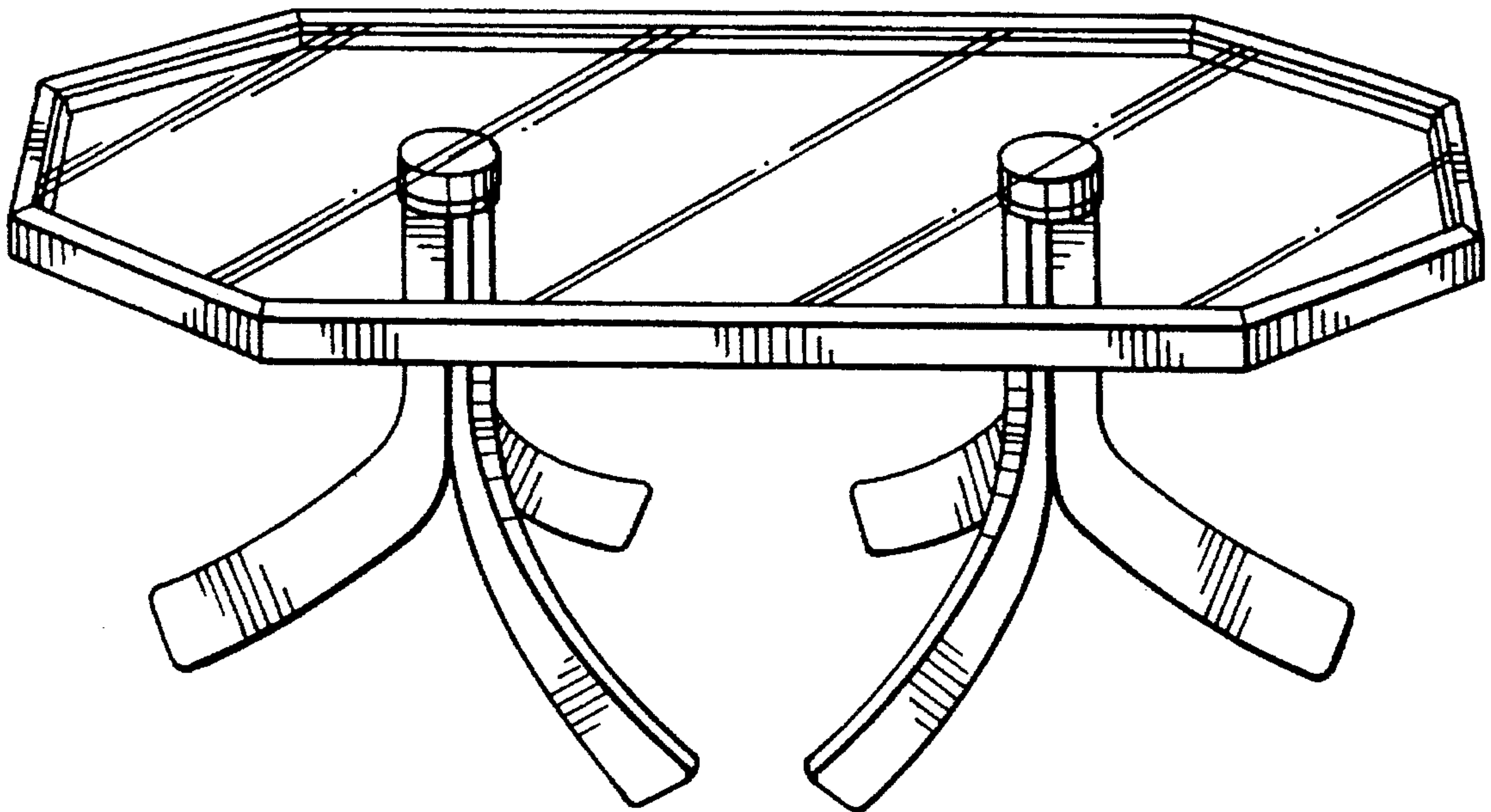


FIG. 8