



US00D364979S

United States Patent [19]

[11] Patent Number: **Des. 364,979**

Thomas et al.

[45] Date of Patent: ****Dec. 12, 1995**

[54] **CAP AND HAT RACK**

3,900,109	8/1975	Peterson	211/181 X
4,583,646	4/1986	Bowman	211/181 X
4,691,832	9/1987	Steiger	211/182 X
5,240,123	3/1993	Hawk	211/30 X

[76] Inventors: **Brian D. Thomas**, 512 Wickliffe Dr., Pasadena, Calif. 91104; **Steven M. Mendoza**, 563 W. 500 S., Suite 3330, Bountiful, Utah 84010

OTHER PUBLICATIONS

Home Decorator Collection Catalog, p. 22 Items B-D.

Primary Examiner—Alan P. Douglas

Assistant Examiner—Jeffrey Asch

[**] Term: **14 Years**

[21] Appl. No.: **14,188**

[22] Filed: **Oct. 15, 1993**

[52] U.S. Cl. **D6/465; D6/407; D6/411**

[58] **Field of Search** D6/407, 408, 462-465, D6/473, 566, 411-415; 211/13, 30, 106, 181, 182, 33

[57] **CLAIM**

The ornamental design for a cap and hat rack, as shown.

DESCRIPTION

FIG. 1 is a perspective view of the cap and hat rack of our invention;

FIG. 2 is a front view thereof;

FIG. 3 is a left end view thereof;

FIG. 4 is a rear view thereof;

FIG. 5 is a top view thereof; and,

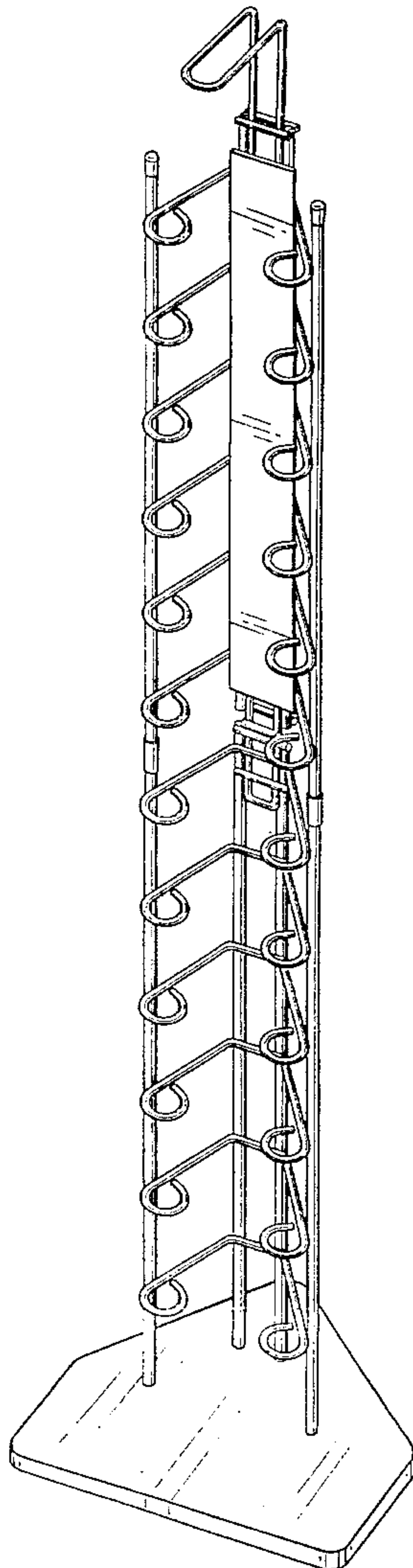
FIG. 6 is a bottom view thereof.

[56] **References Cited**

U.S. PATENT DOCUMENTS

D. 162,990	4/1951	Roeder	D6/463
D. 217,406	4/1970	Reibold et al.	D6/464
D. 282,797	3/1986	Dixon	D6/464 X
D. 331,680	12/1992	Glassenberg	D6/566
3,391,891	7/1968	Garden	211/181 X

1 Claim, 2 Drawing Sheets



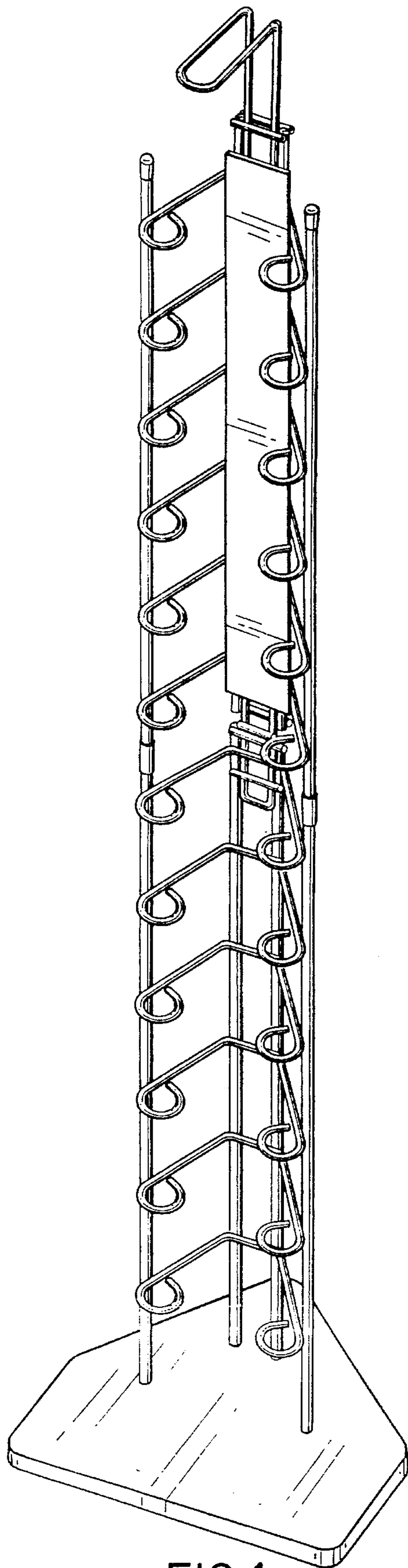


FIG. 1

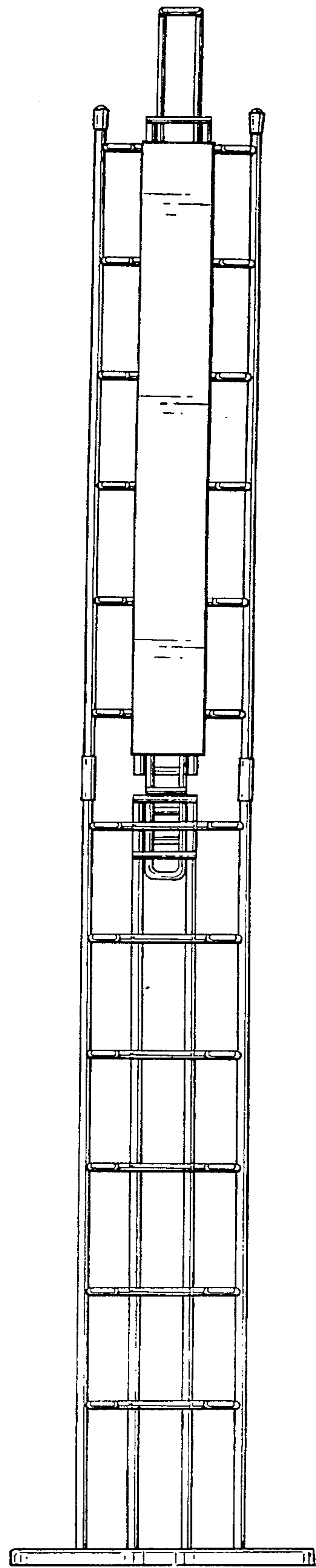


FIG. 2

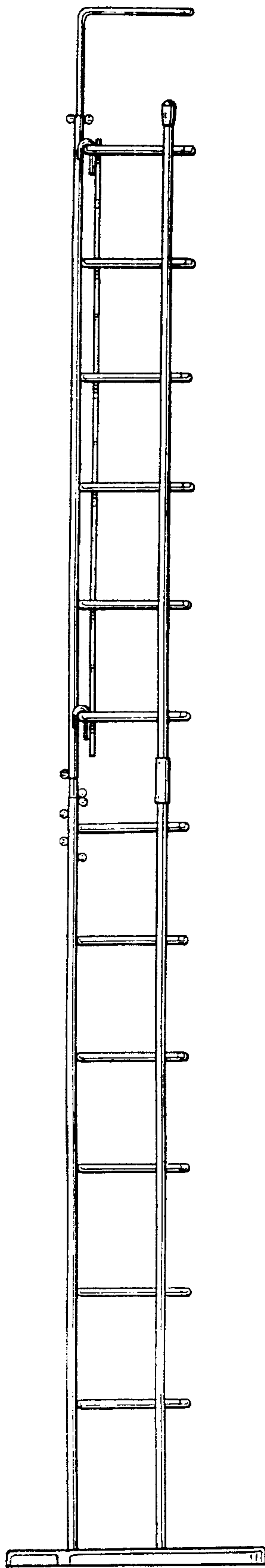


FIG. 3

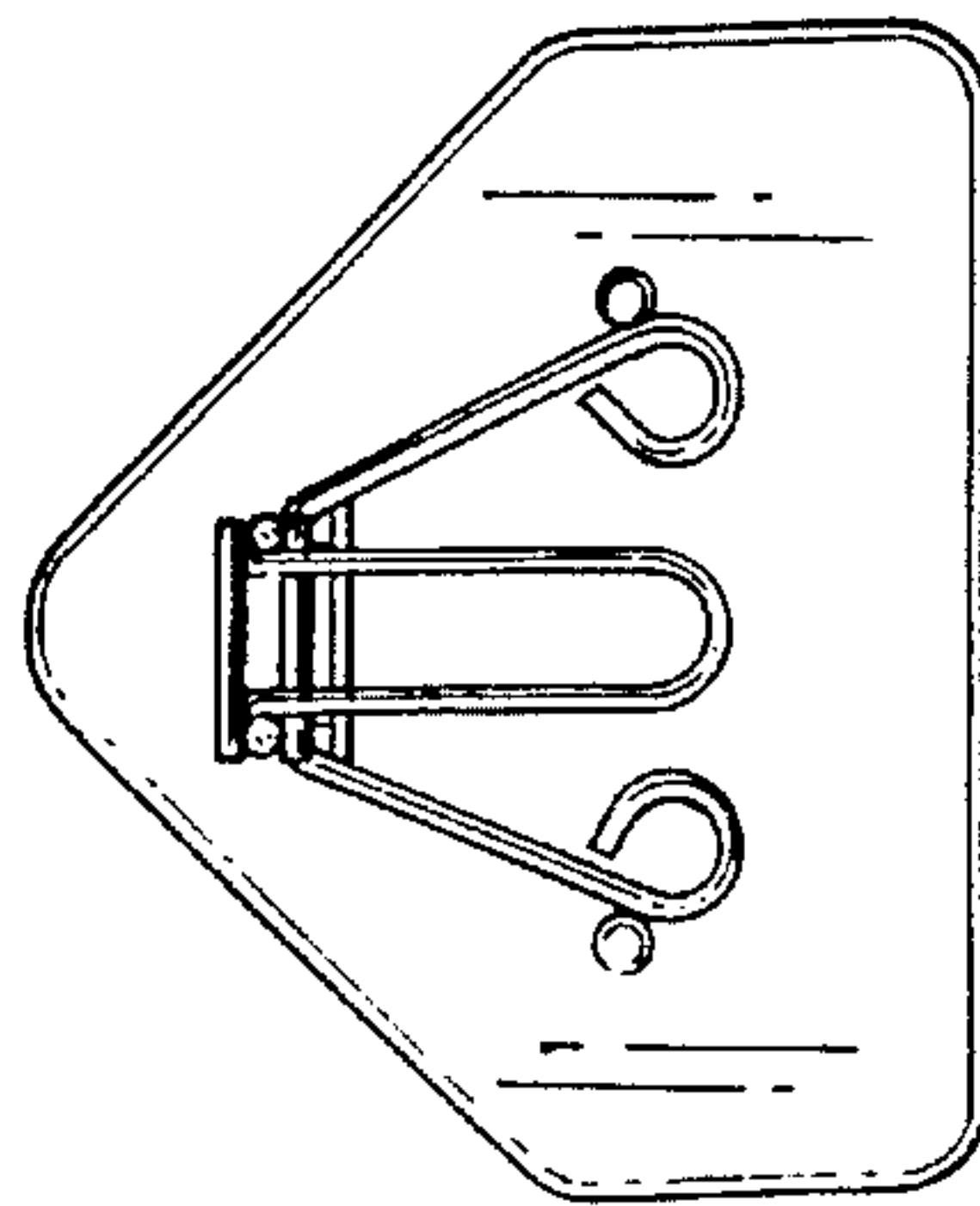


FIG. 5

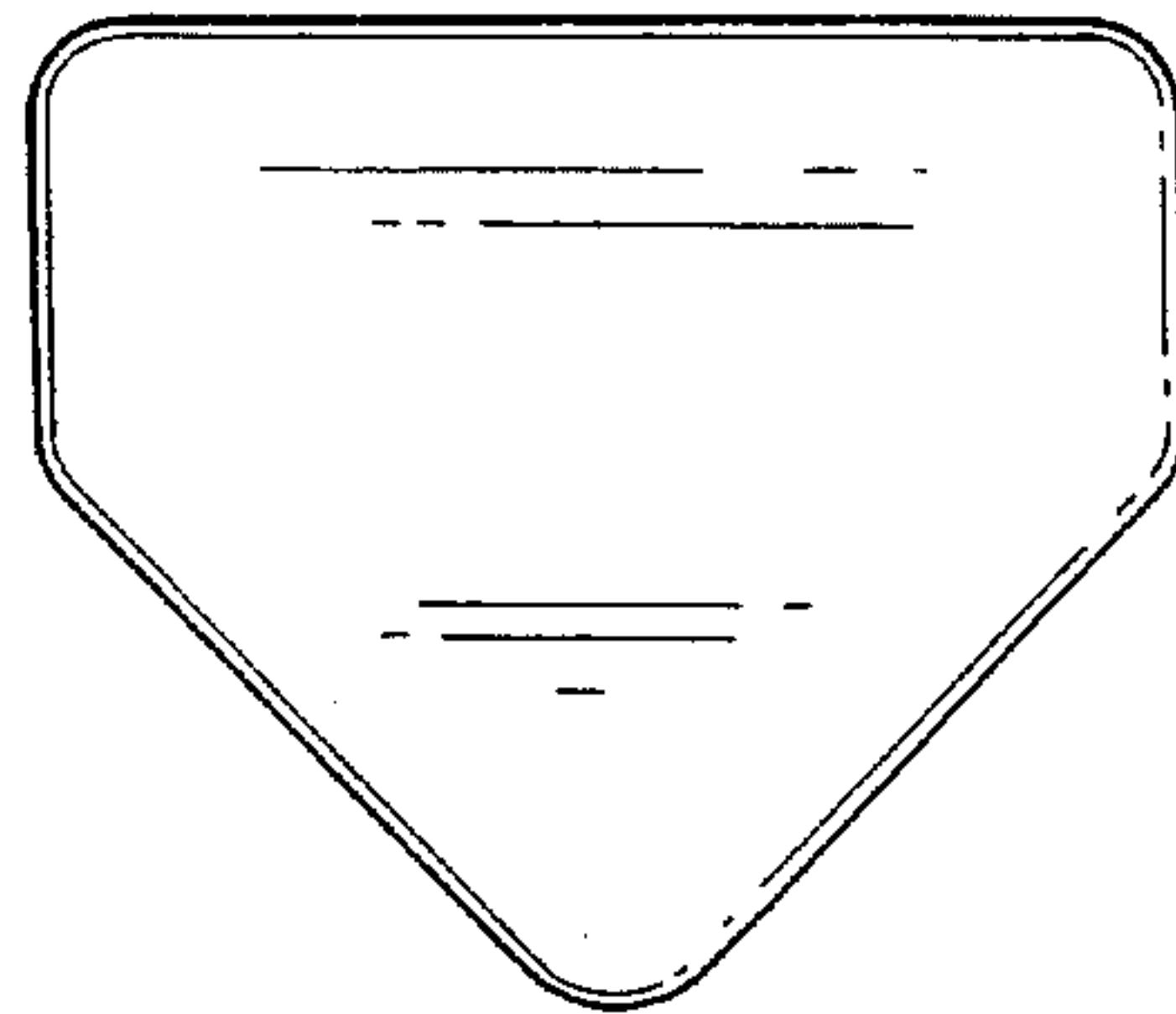


FIG. 6

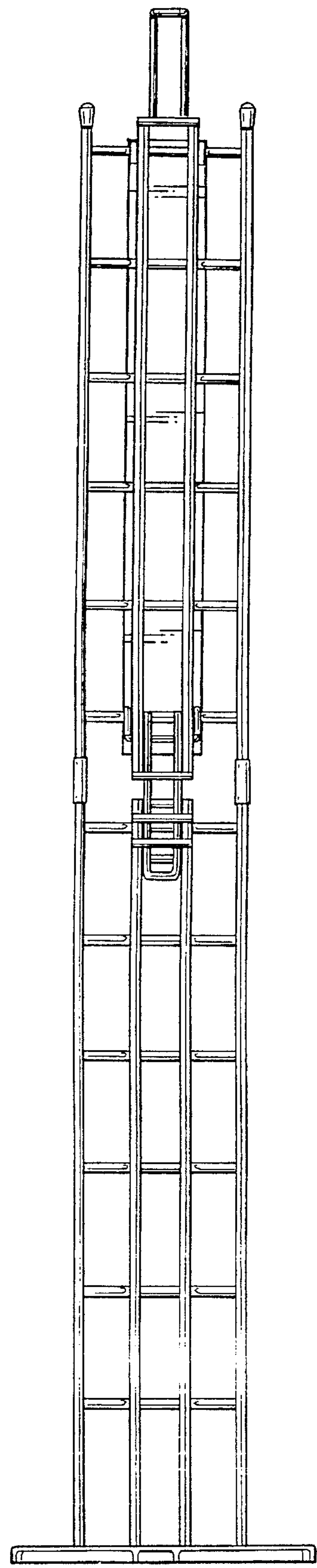


FIG. 4