



US00D364978S

United States Patent [19]

Smith

[11] Patent Number: **Des. 364,978**

[45] Date of Patent: ****Dec. 12, 1995**

[54] **KNOCKDOWN CAMPER STAND**

[76] Inventor: **Bryan W. Smith**, R.D. 1, Box 1404,
Saylorburg, Pa. 18353

[**] Term: **14 Years**

[21] Appl. No.: **11,194**

[22] Filed: **Jul. 29, 1993**

[52] U.S. Cl. **D6/431; D6/462; D12/106**

[58] Field of Search D12/106, 406,
D12/223, 115; D6/429-431, 462-465, 449,
496; D21/235, 199; 211/181, 182, 13; 248/354.5,
121

3,784,160 1/1974 Phillips D12/106 X
 3,841,119 10/1974 Kaufmann D12/115 X
 4,723,744 2/1988 Baker .
 4,728,066 3/1988 Lang .
 4,911,086 3/1990 Belknap .
 5,141,197 8/1992 Mackaay 248/354.5 X

Primary Examiner—Jeffrey Asch
Attorney, Agent, or Firm—Terry M. Gernstein

[57] CLAIM

The ornamental design for a knockdown camper stand, as shown and described.

DESCRIPTION

FIG. 1 is a front, top and side exploded perspective view of the knockdown camper stand embodying the design of the present invention;
 FIG. 2 is a front elevational view thereof in the assembled condition;
 FIG. 3 is a rear elevational view thereof;
 FIG. 4 is a side elevational view thereof, the side opposite being a mirror image of the side shown in FIG. 4;
 FIG. 5 is a top plan view thereof; and,
 FIG. 6 is a bottom plan view thereof.

[56] **References Cited**
 U.S. PATENT DOCUMENTS

D. 212,482	10/1968	Lum	D6/431
D. 293,397	12/1987	Hunt	D6/429
D. 298,879	12/1988	Corbett	D12/106 X
D. 317,031	5/1991	Ceppo	D6/431 X
1,146,843	7/1915	Brown	D21/235 X
2,588,722	3/1952	Hendershott	D21/199 X
3,120,386	2/1964	Janssen	D21/235 X
3,355,136	11/1967	Staples	248/354.5 X

1 Claim, 3 Drawing Sheets

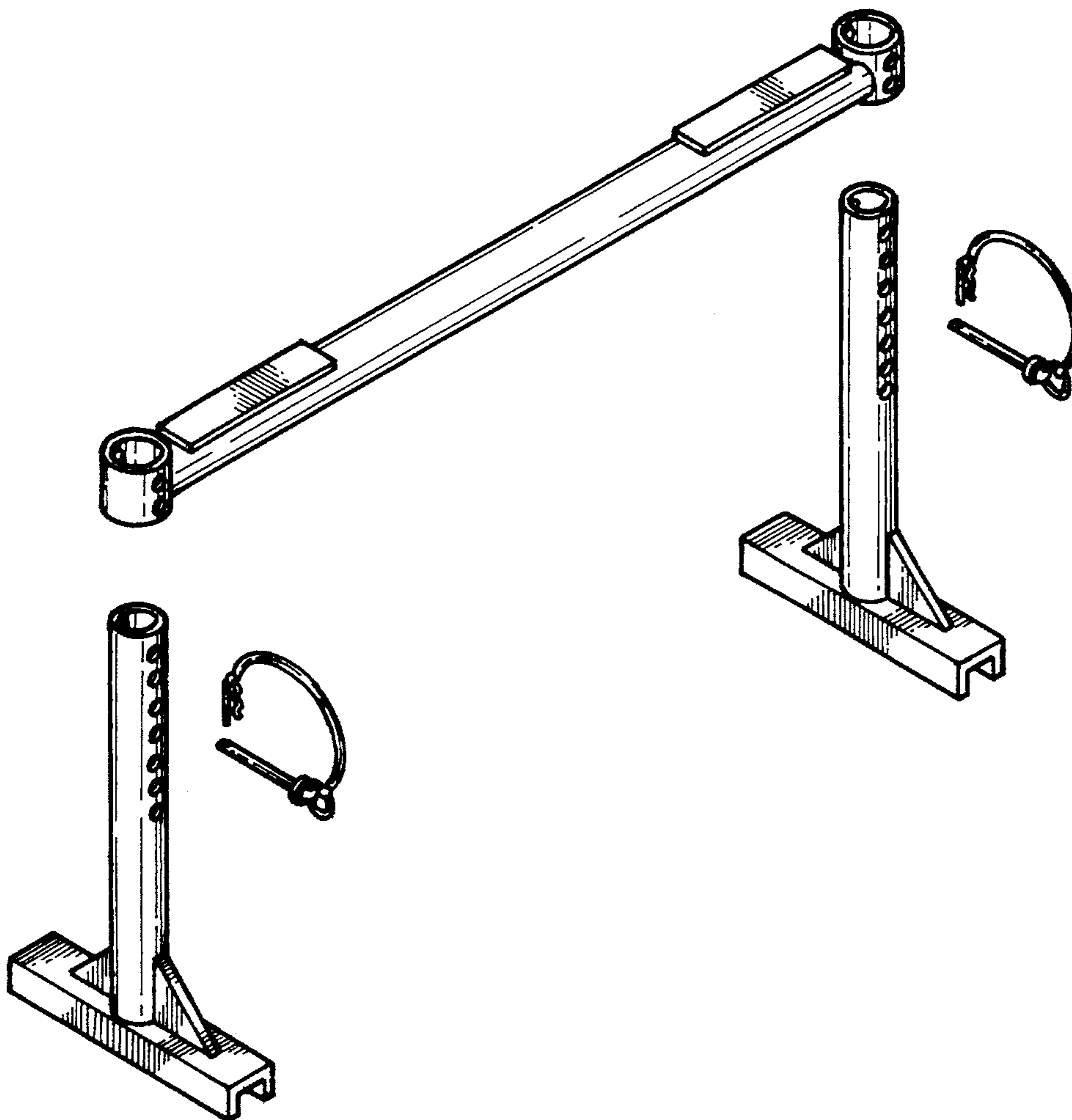


FIG. 1

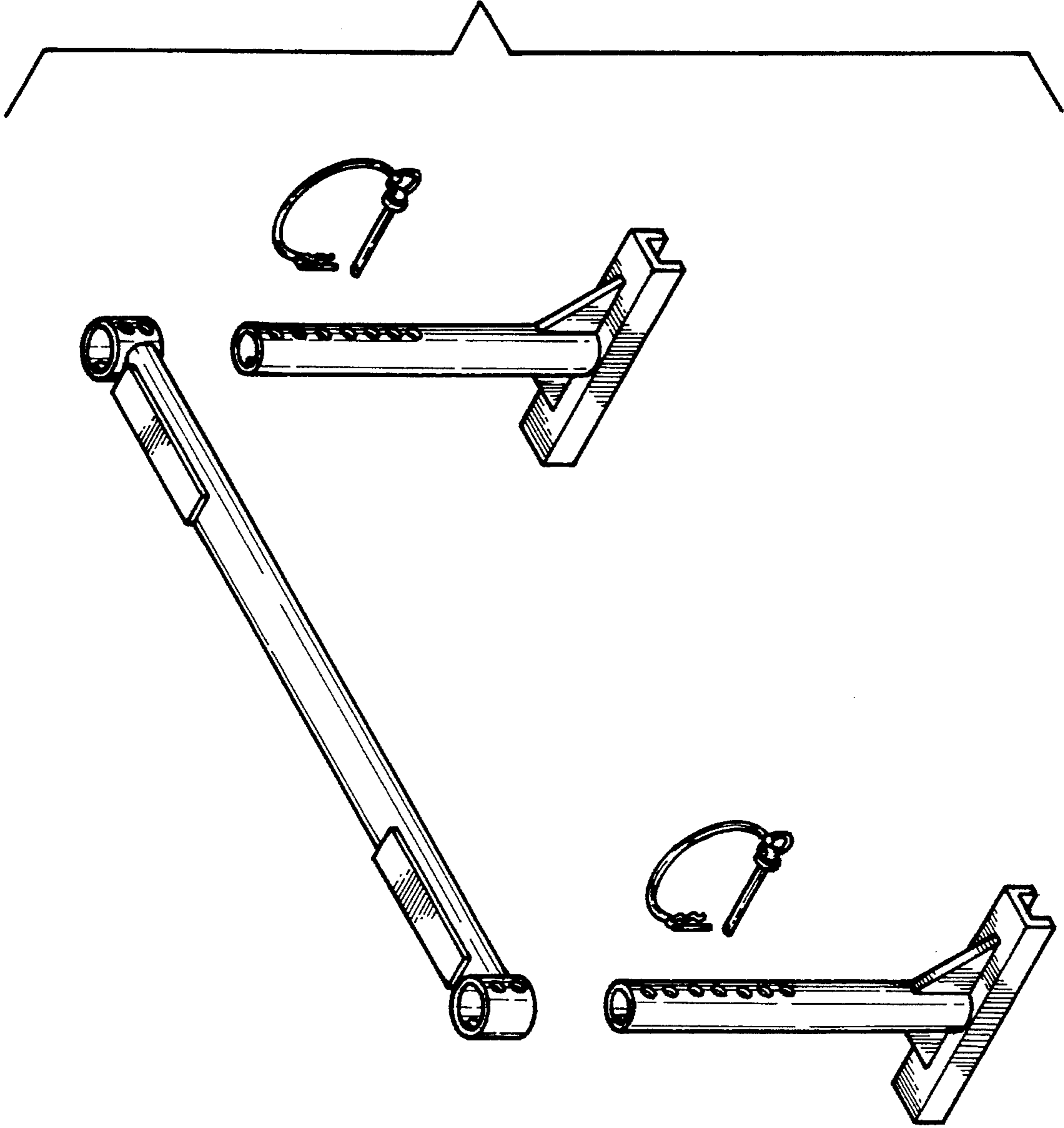


FIG. 2

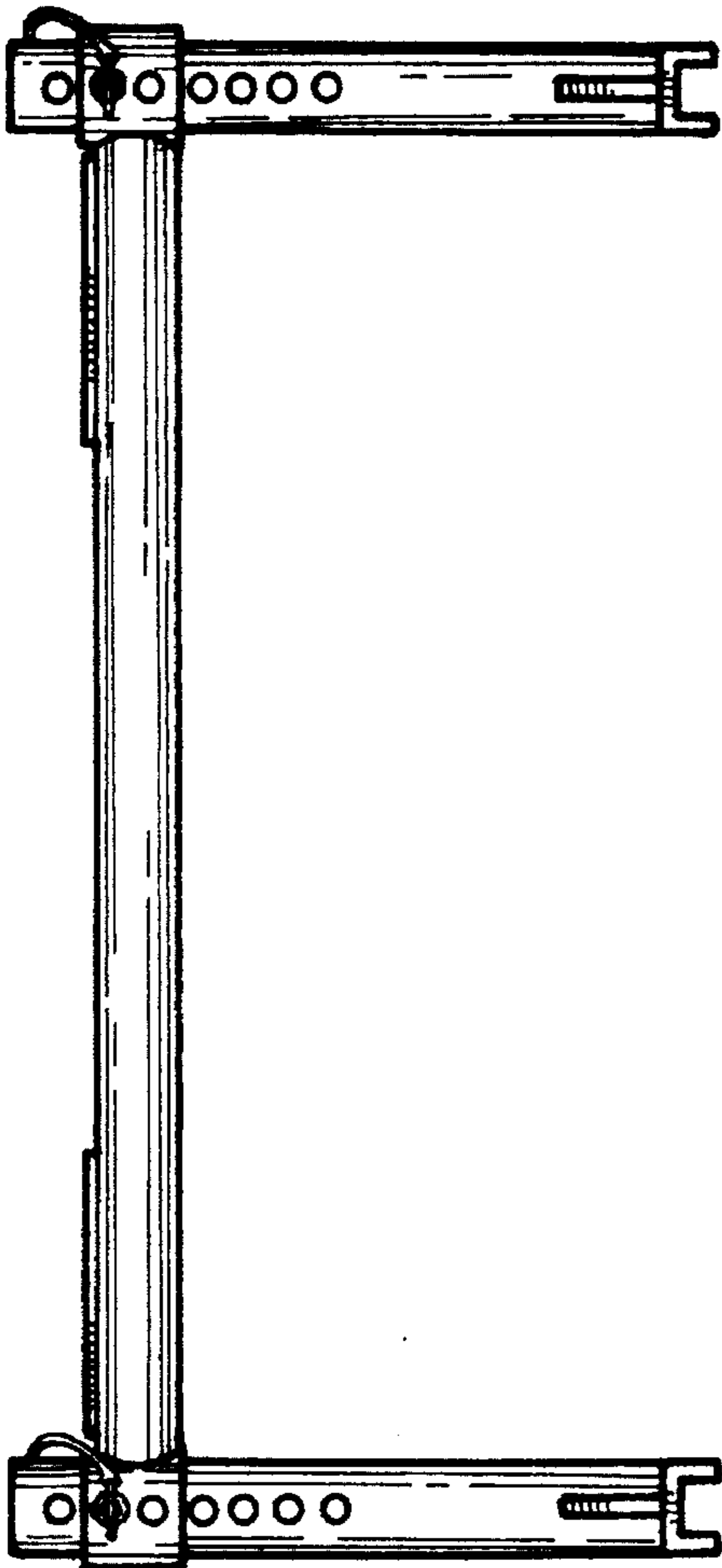
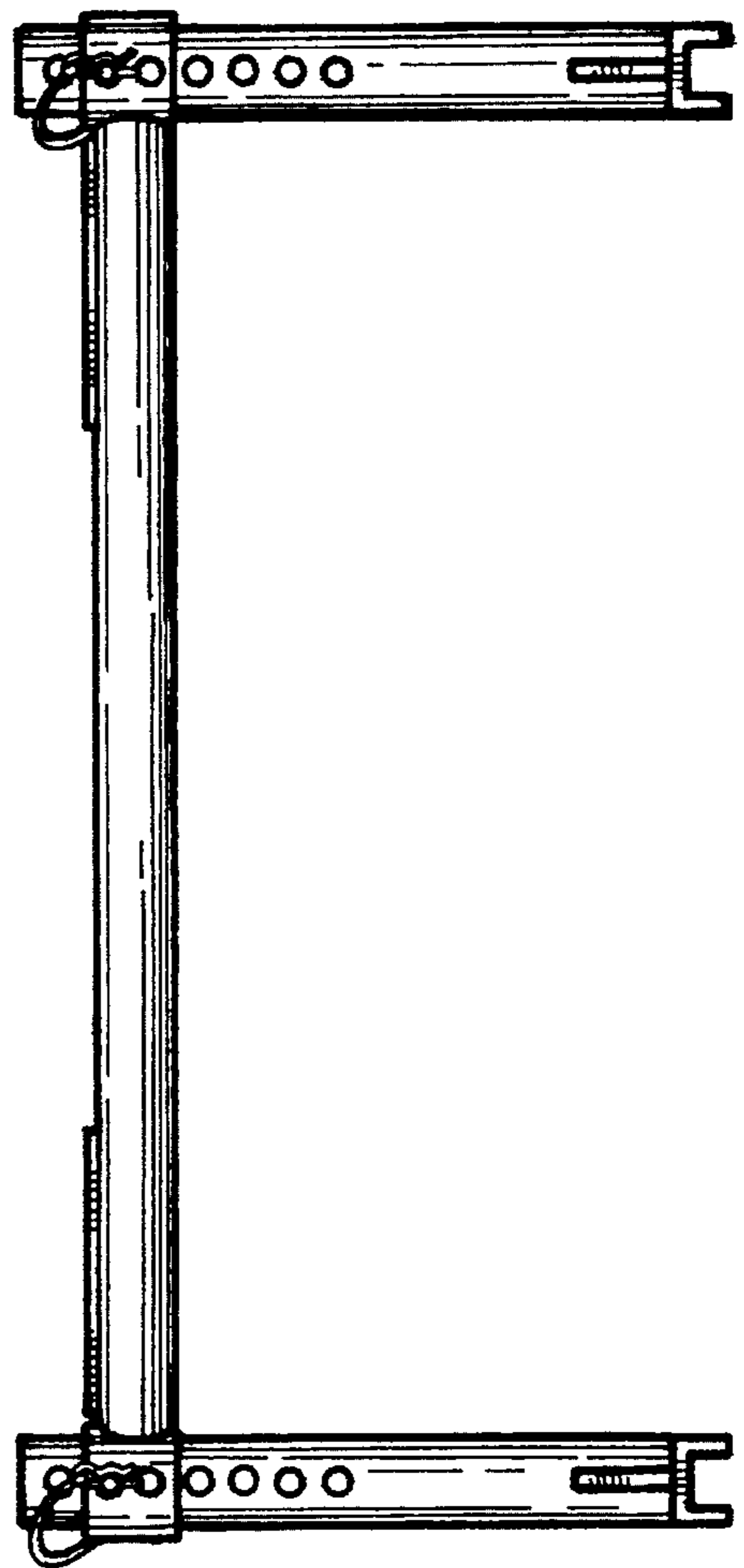


FIG. 3



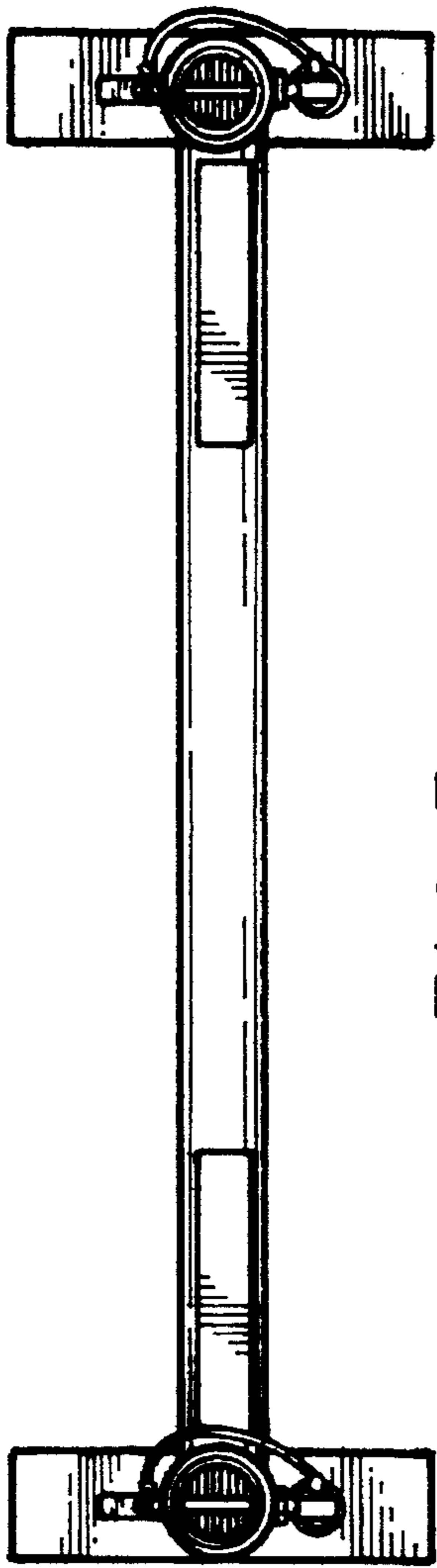


FIG. 5

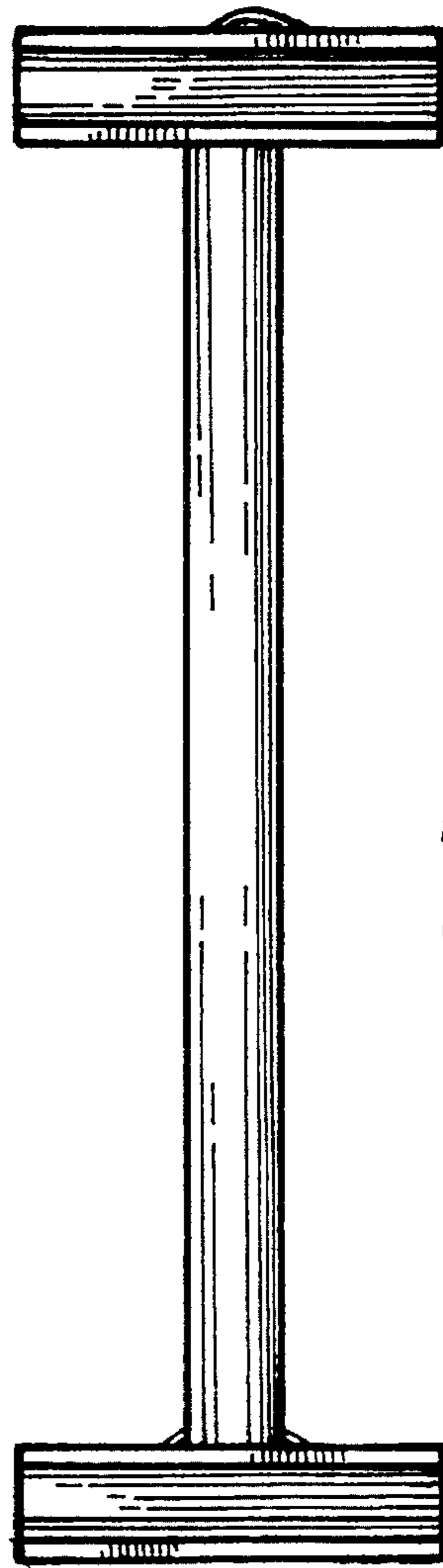


FIG. 6

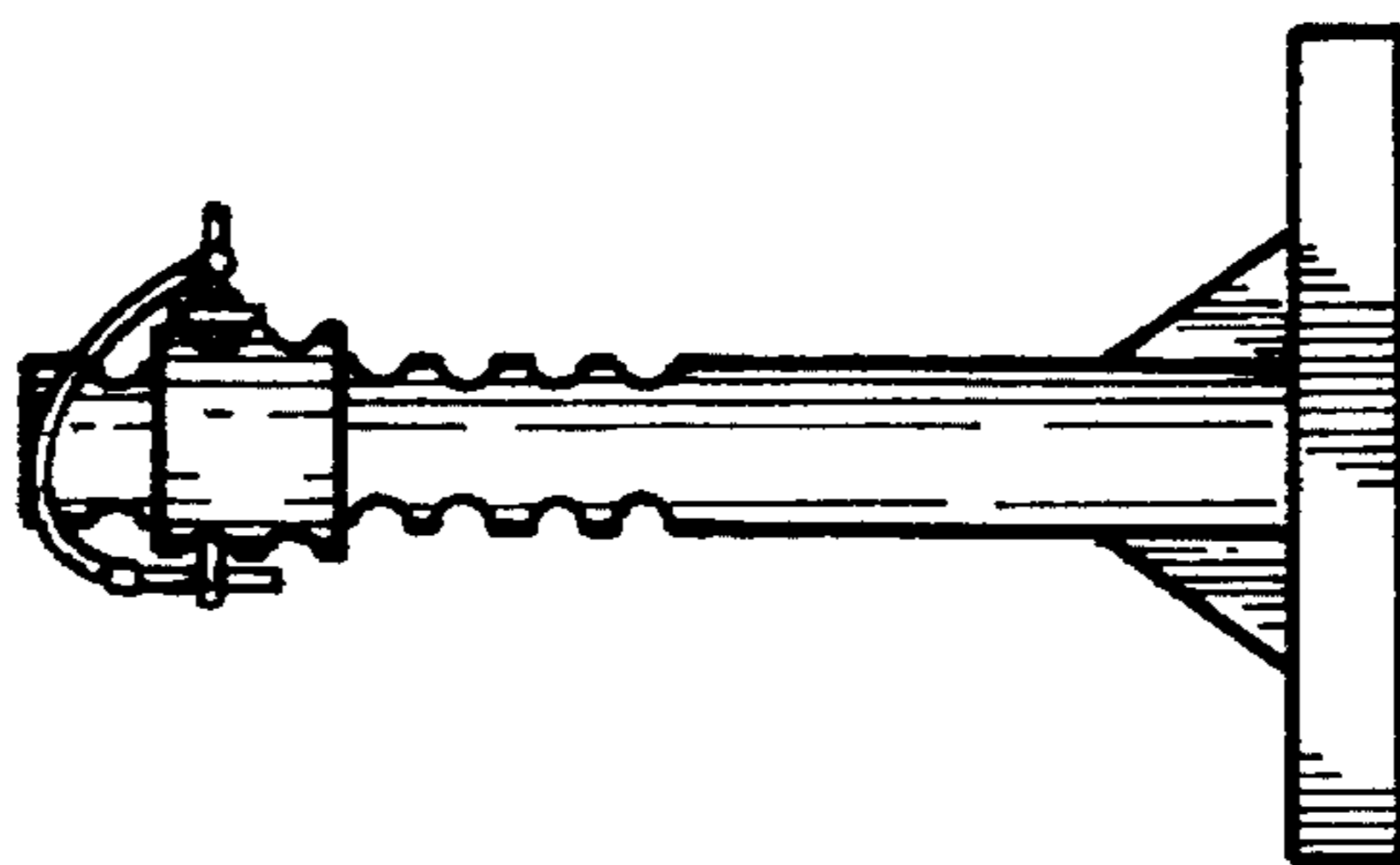


FIG. 4