



US00D364973S

**United States Patent** [19]  
**de Reuver**

[11] **Patent Number: Des. 364,973**

[45] **Date of Patent: \*\*Dec. 12, 1995**

[54] **CHAIR**

*Attorney, Agent, or Firm*—Edmund M. Jaskiewicz

[76] Inventor: **Jozef J. M. de Reuver**, Waalbandijk  
161, 6659 KC Wamel, Netherlands

[57] **CLAIM**

The ornamental design for a chair, as shown and described.

[\*\*] Term: **14 Years**

**DESCRIPTION**

[21] Appl. No.: **22,070**

[22] Filed: **Apr. 28, 1994**

[52] U.S. Cl. .... **D6/375; D6/379**

[58] Field of Search ..... D6/334, 370, 371,  
D6/373, 374, 375, 379, 380, 500, 501,  
502; 297/411.42, 446

FIG. 1 is a view from one side of the chair, the other side view being symmetrical;

FIG. 2 is a front elevational view;

FIG. 3 is a rear elevational view;

FIG. 4 is a top view;

FIG. 5 is a bottom view;

FIG. 6 is an isometric view, all of the same chair;

FIG. 7 is a view from one side of the shell part comprising the seat and the back of the chair depicted in FIGS. 1-6, the other side view being symmetrical;

FIG. 8 is a front elevational view;

FIG. 9 is a rear elevational view;

FIG. 10 is a top view;

FIG. 11 is a bottom view; and,

FIG. 12 is an isometric view, all of the same shell part.

The support frame and leg members have been omitted from FIGS. 7 through 12 for ease of illustration

[56] **References Cited**

**U.S. PATENT DOCUMENTS**

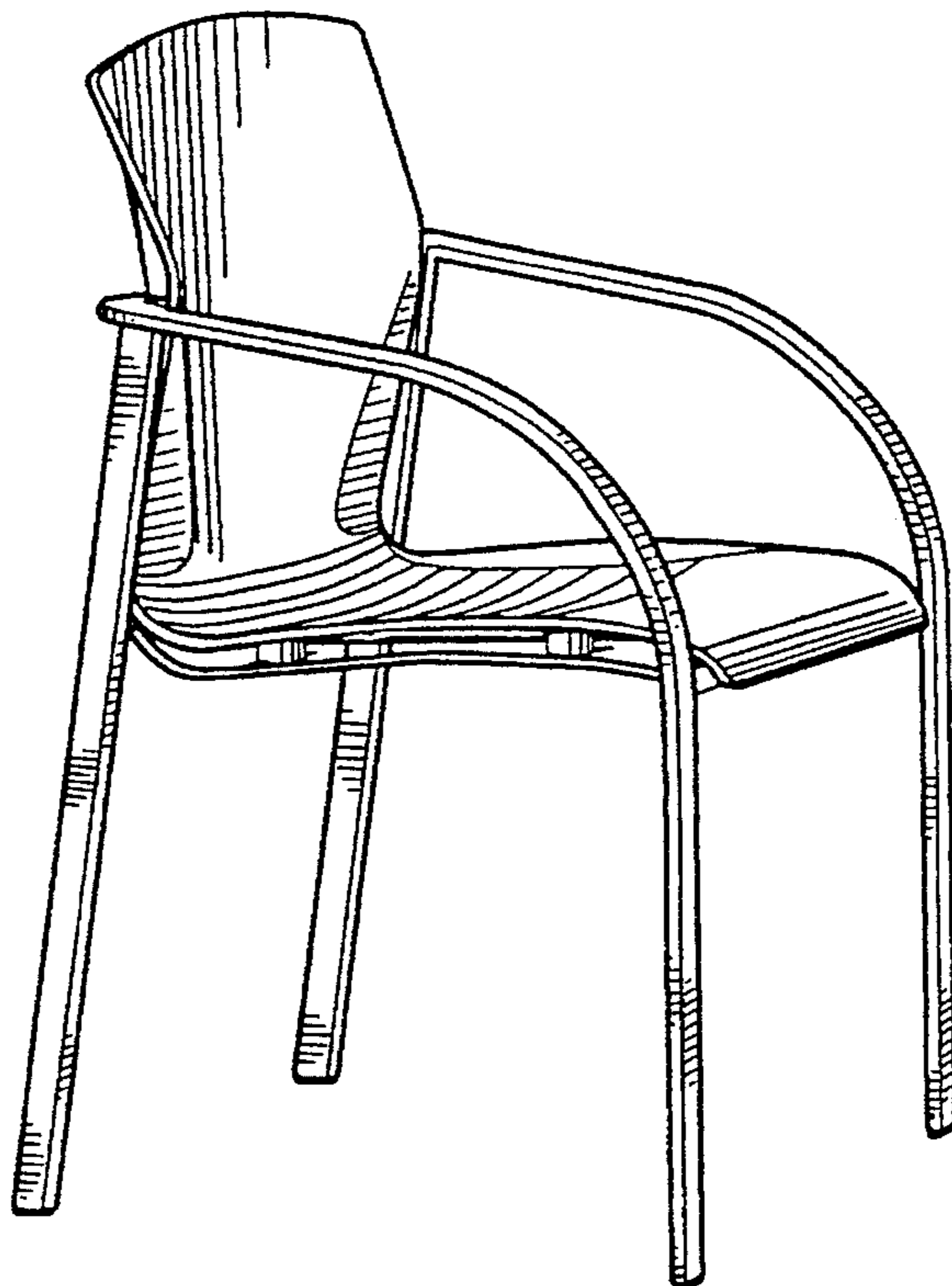
D. 115,052	5/1939	Salomon	.....	D6/379
D. 139,239	10/1944	Weber	.....	D6/375
D. 233,715	11/1974	Fantoni	.....	D6/375
D. 270,976	10/1983	Rowland	.....	D6/379
D. 308,305	6/1990	Snodgrass	.....	D6/379
D. 312,005	11/1990	Snodgrass	.....	D6/379
D. 321,098	10/1991	Toffoloni	.....	D6/379
D. 331,156	11/1992	Bennett	.....	D6/379
D. 335,587	5/1993	Backer	.....	D6/379
D. 340,812	11/1993	Estomin et al.	.....	D6/334
D. 342,629	12/1993	Tseng	.....	D6/370
D. 346,501	5/1994	Llusca	.....	D6/374

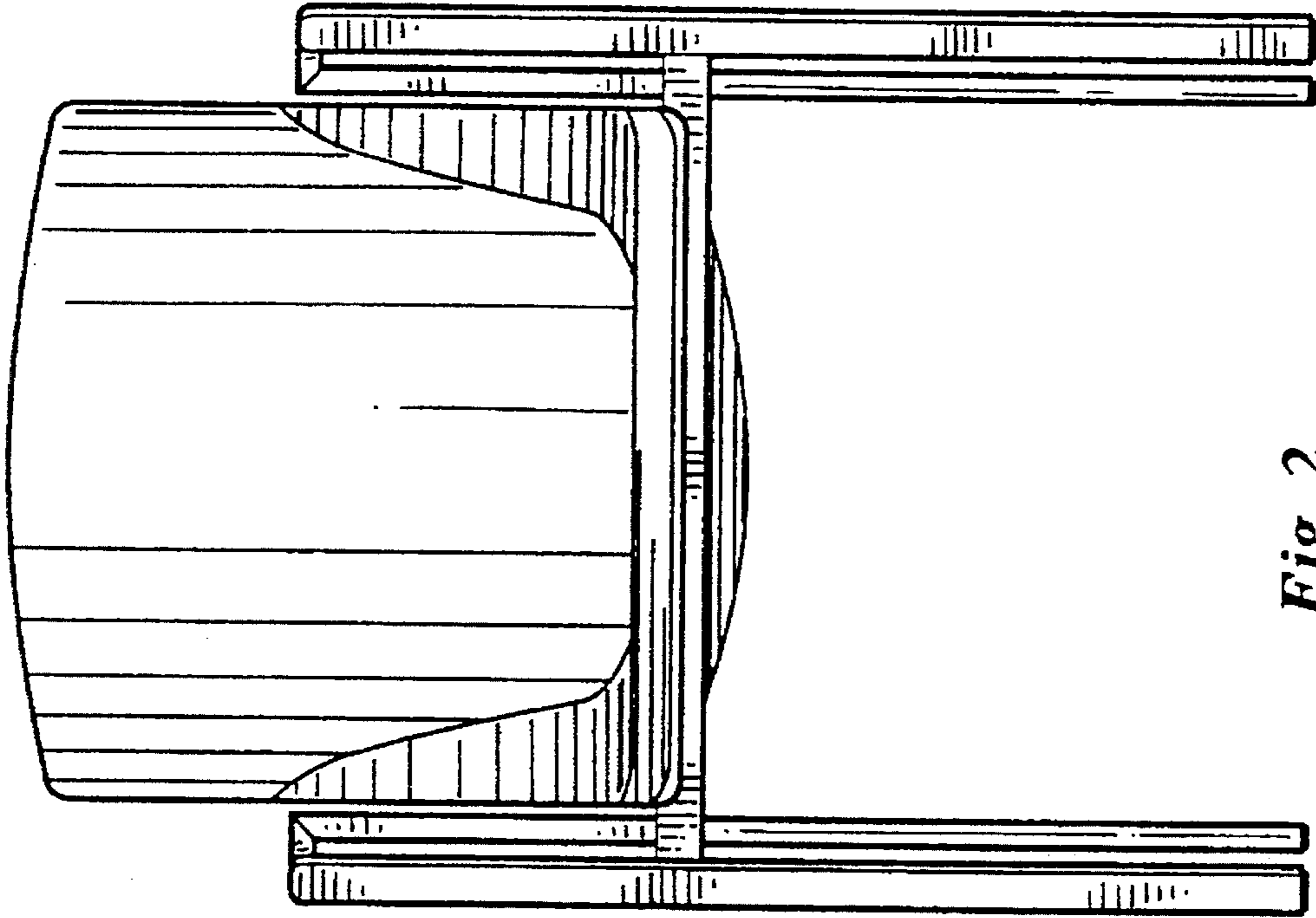
**OTHER PUBLICATIONS**

Design Institute America, Ellipse Chair at bottom left.

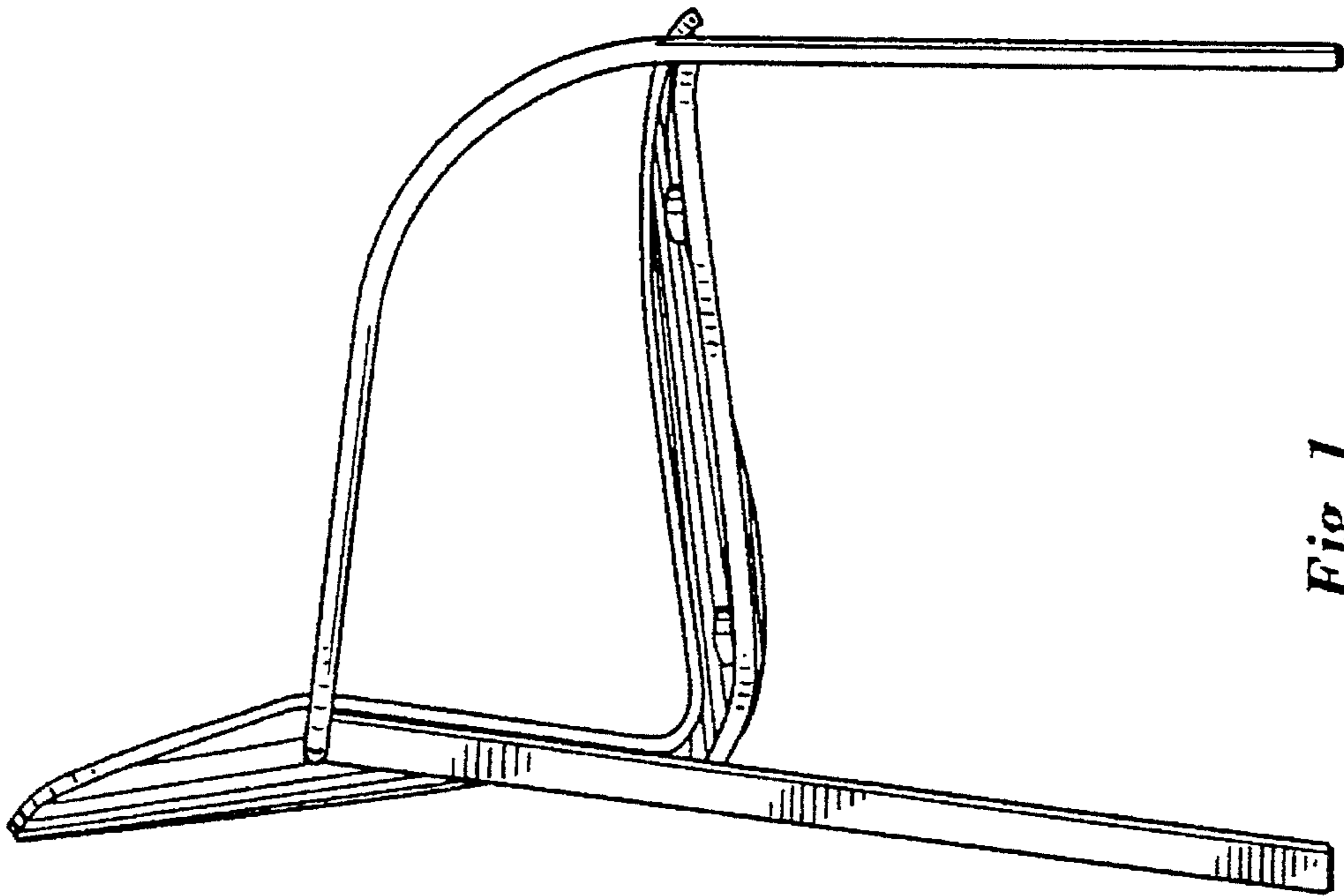
*Primary Examiner*—Alan P. Douglas  
*Assistant Examiner*—Gary D. Watson

**1 Claim, 6 Drawing Sheets**

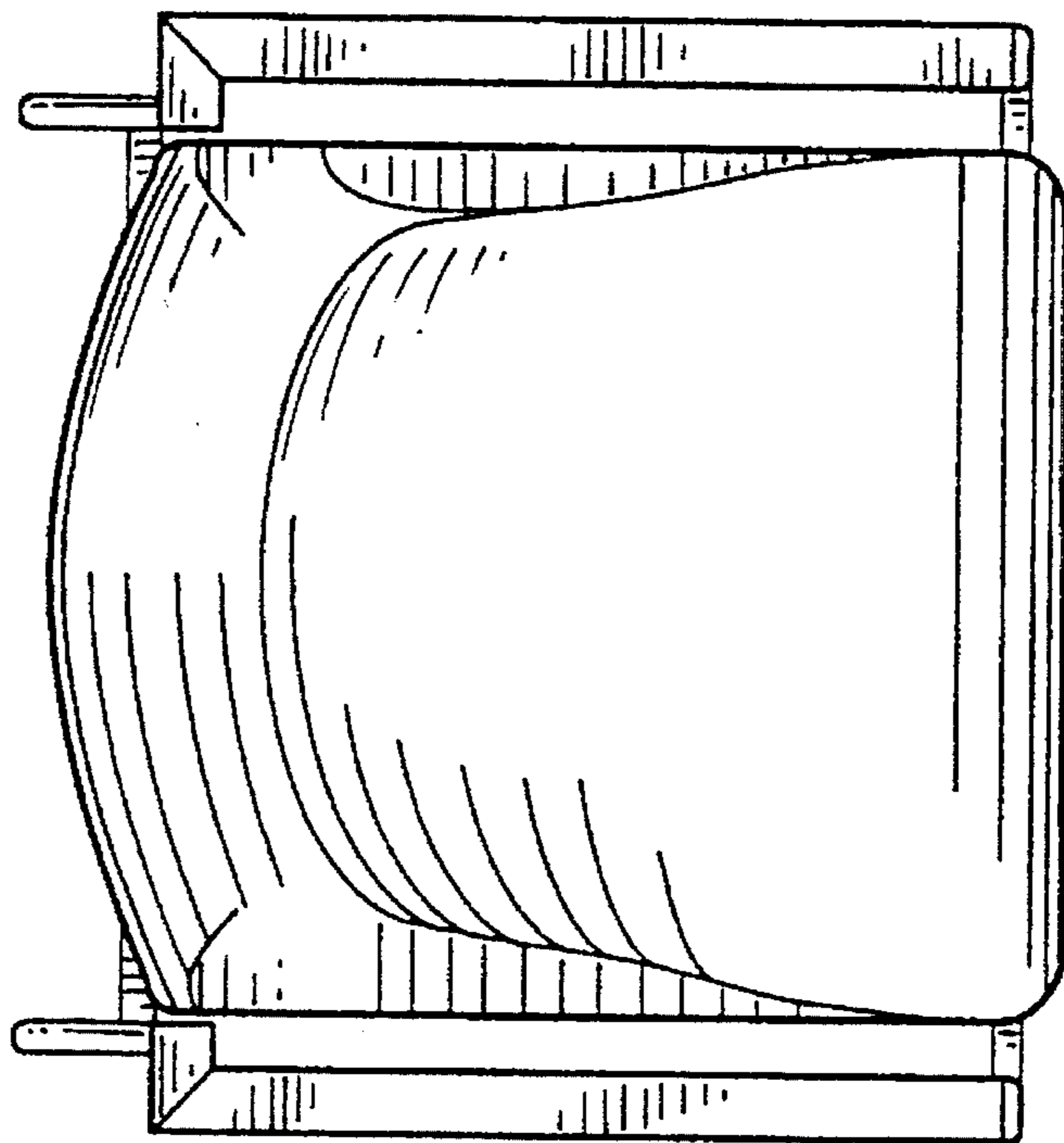




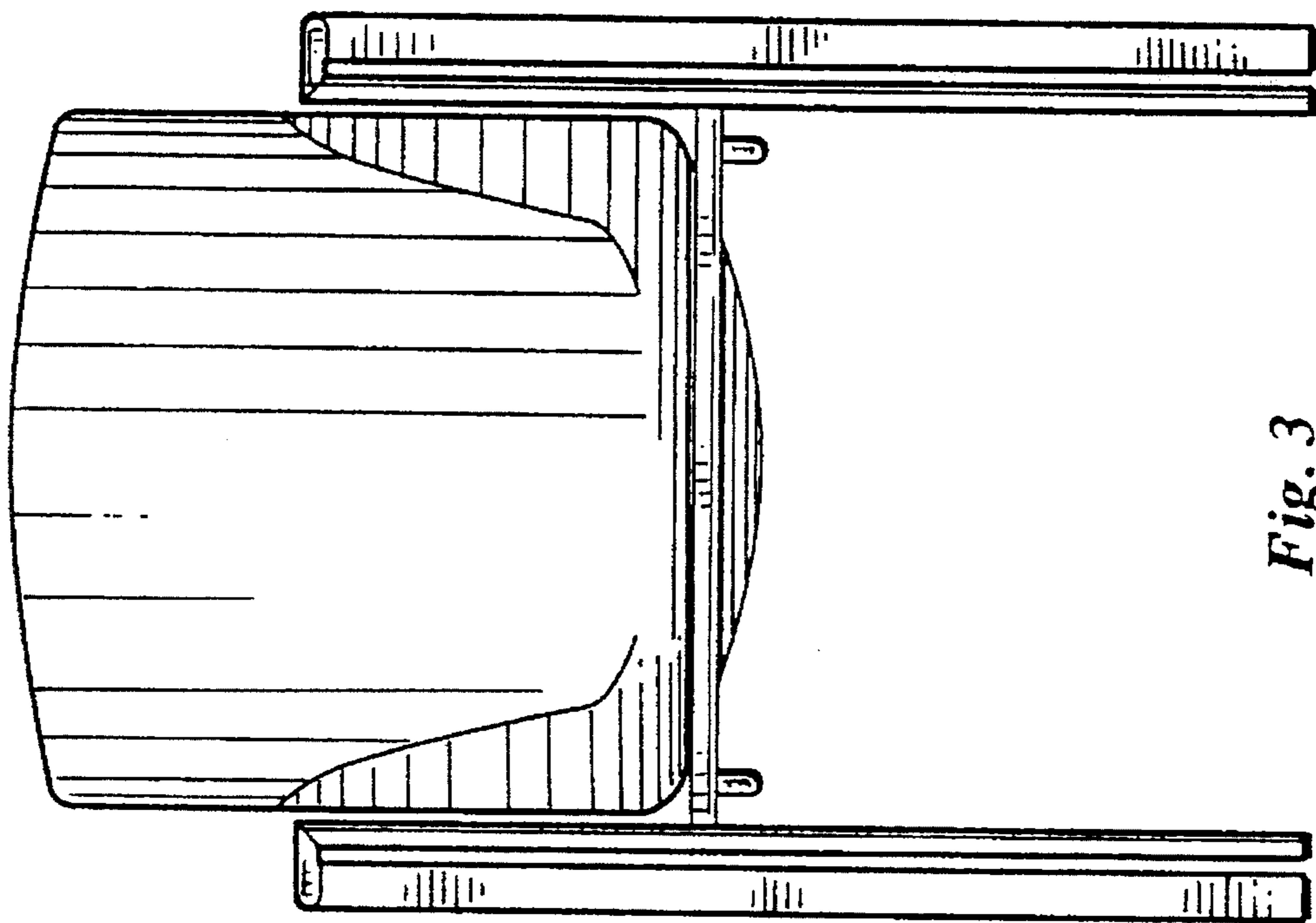
*Fig. 2*



*Fig. 1*



*Fig. 4*



*Fig. 3*

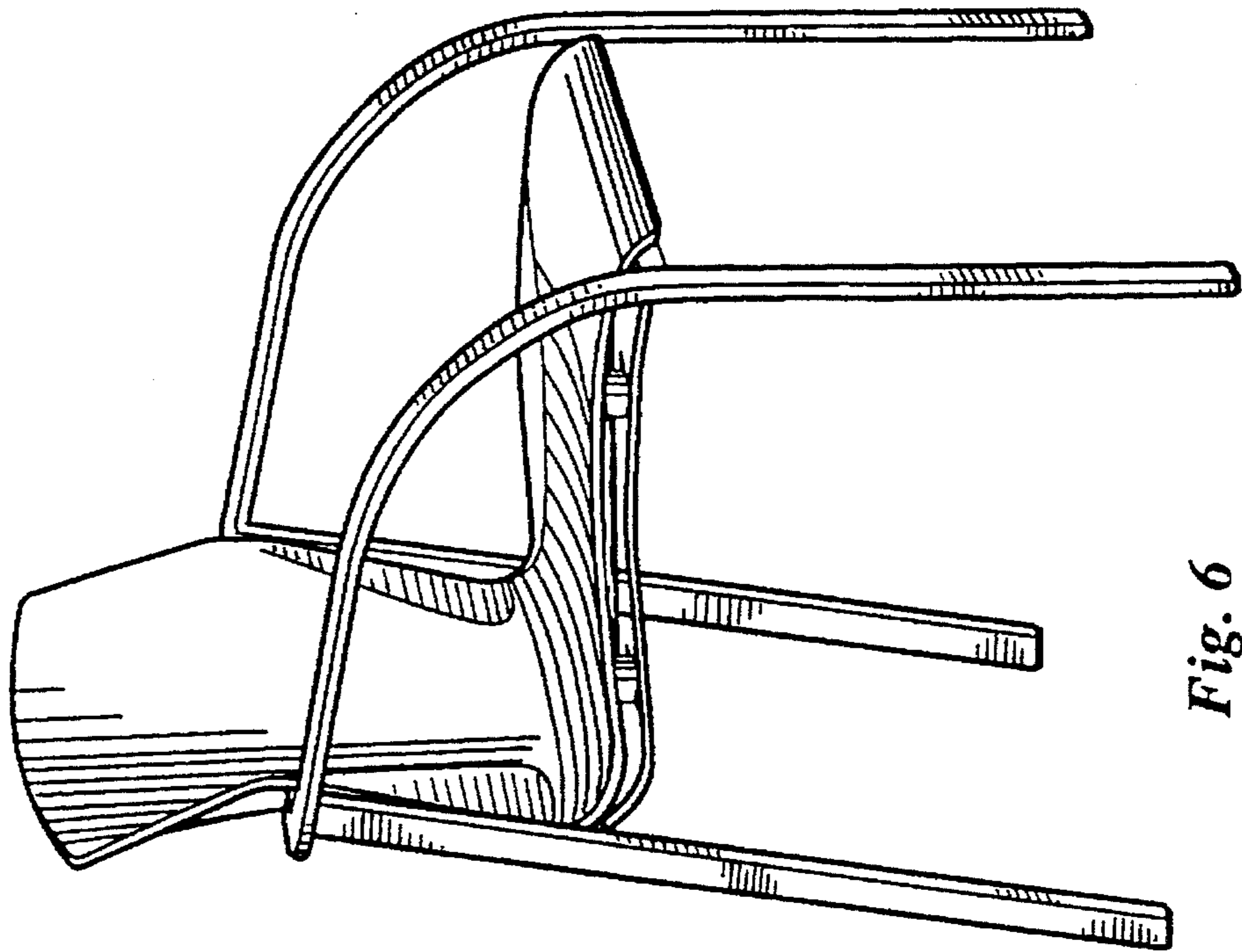


Fig. 6

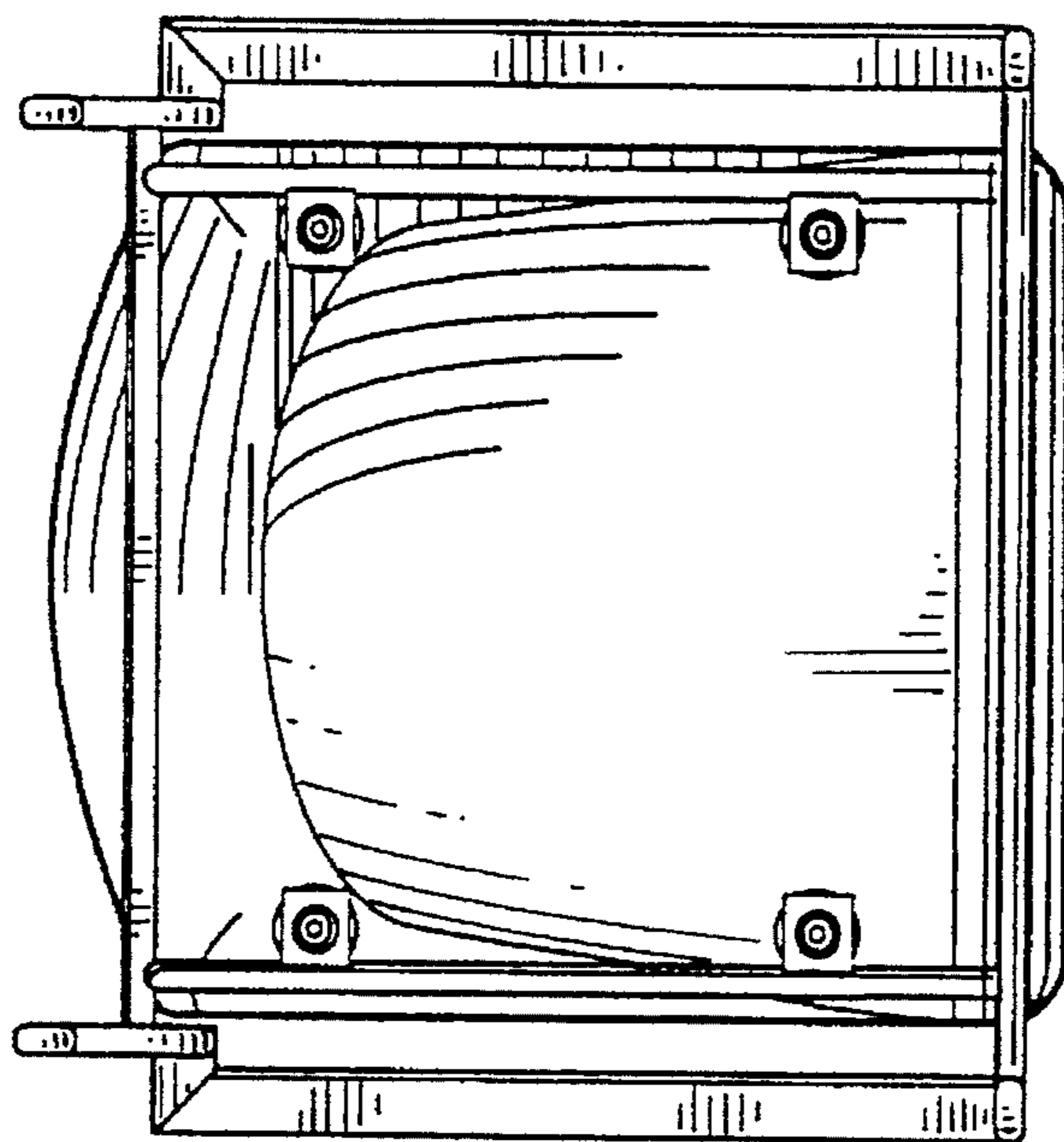
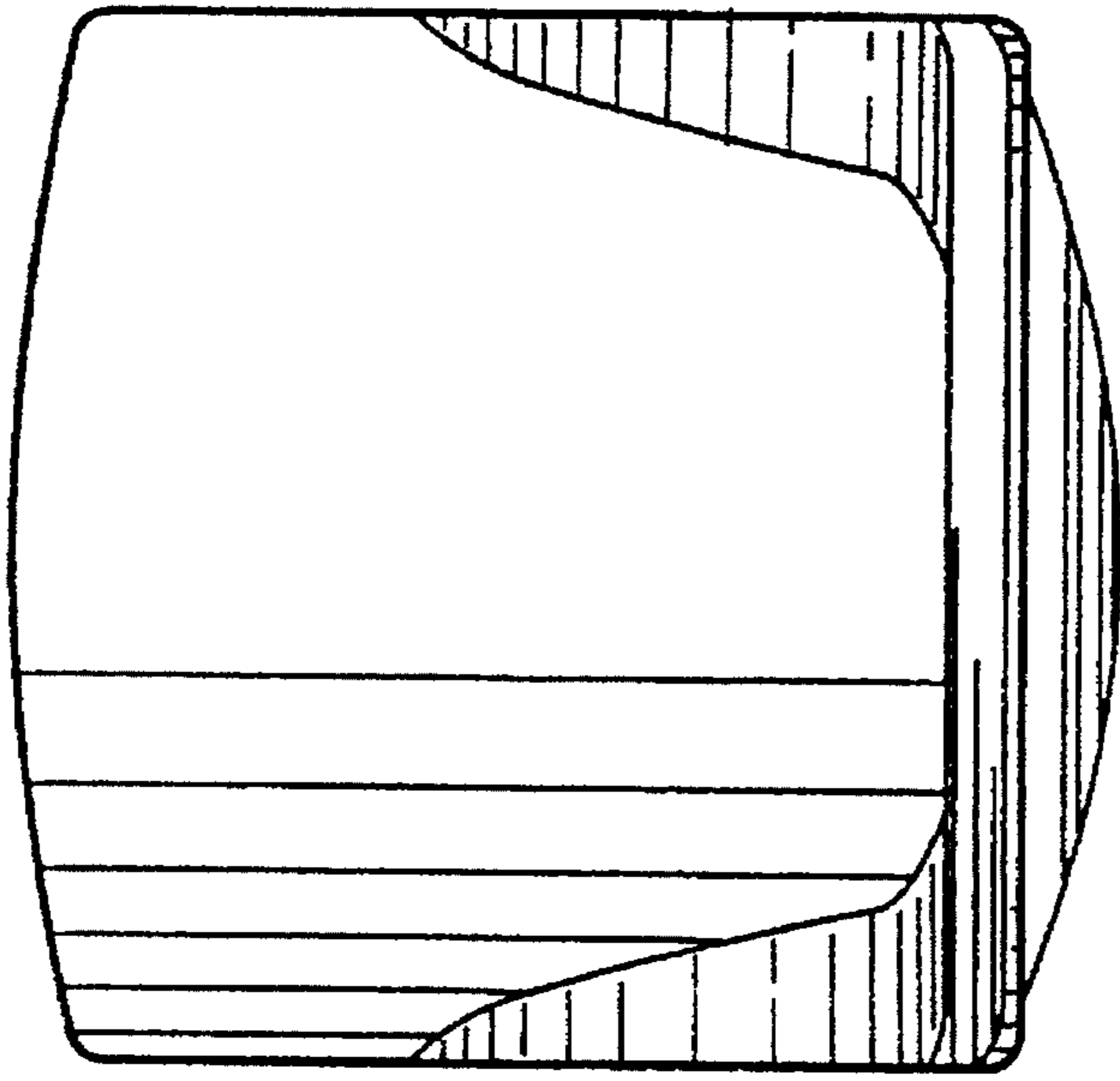
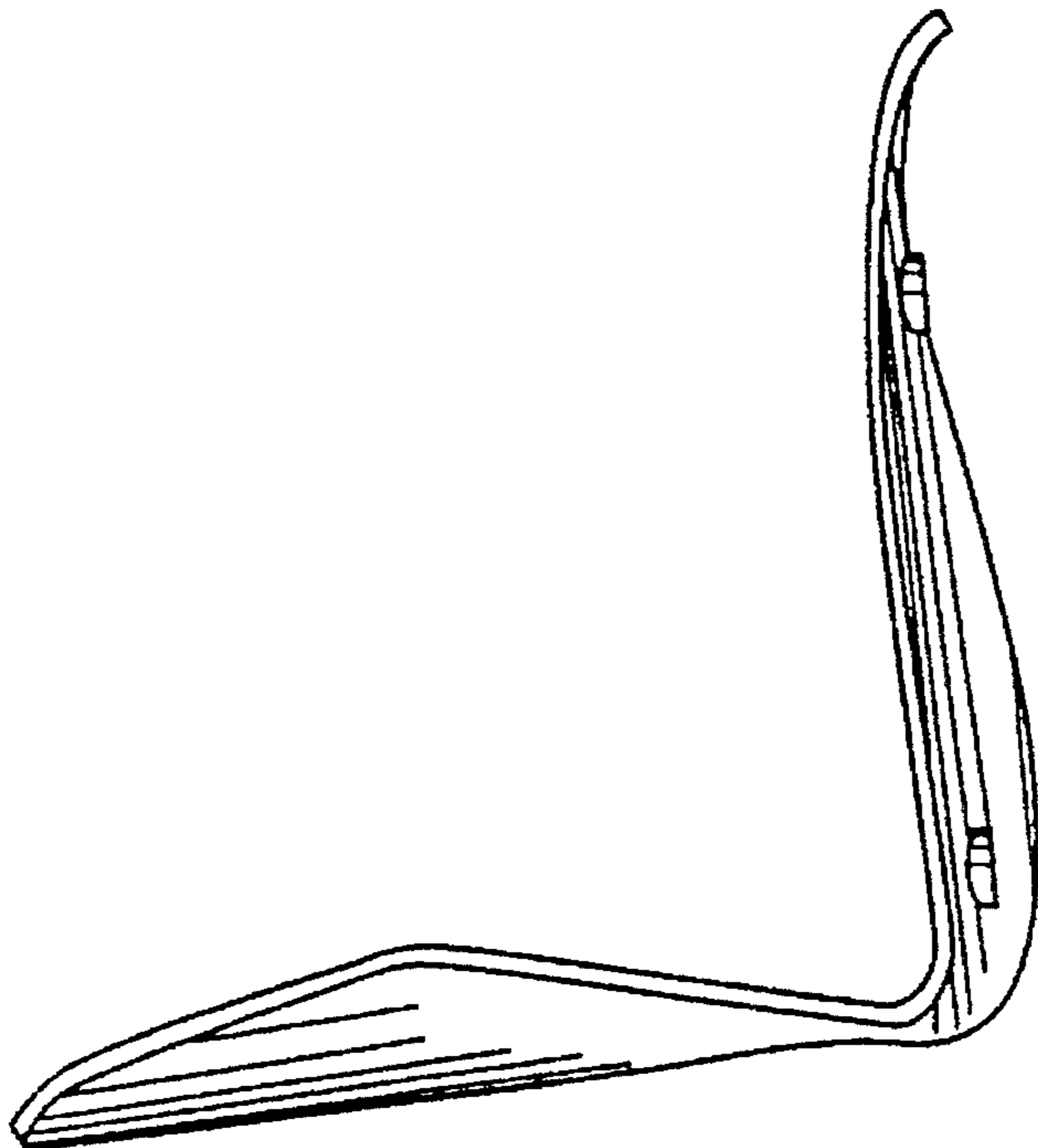


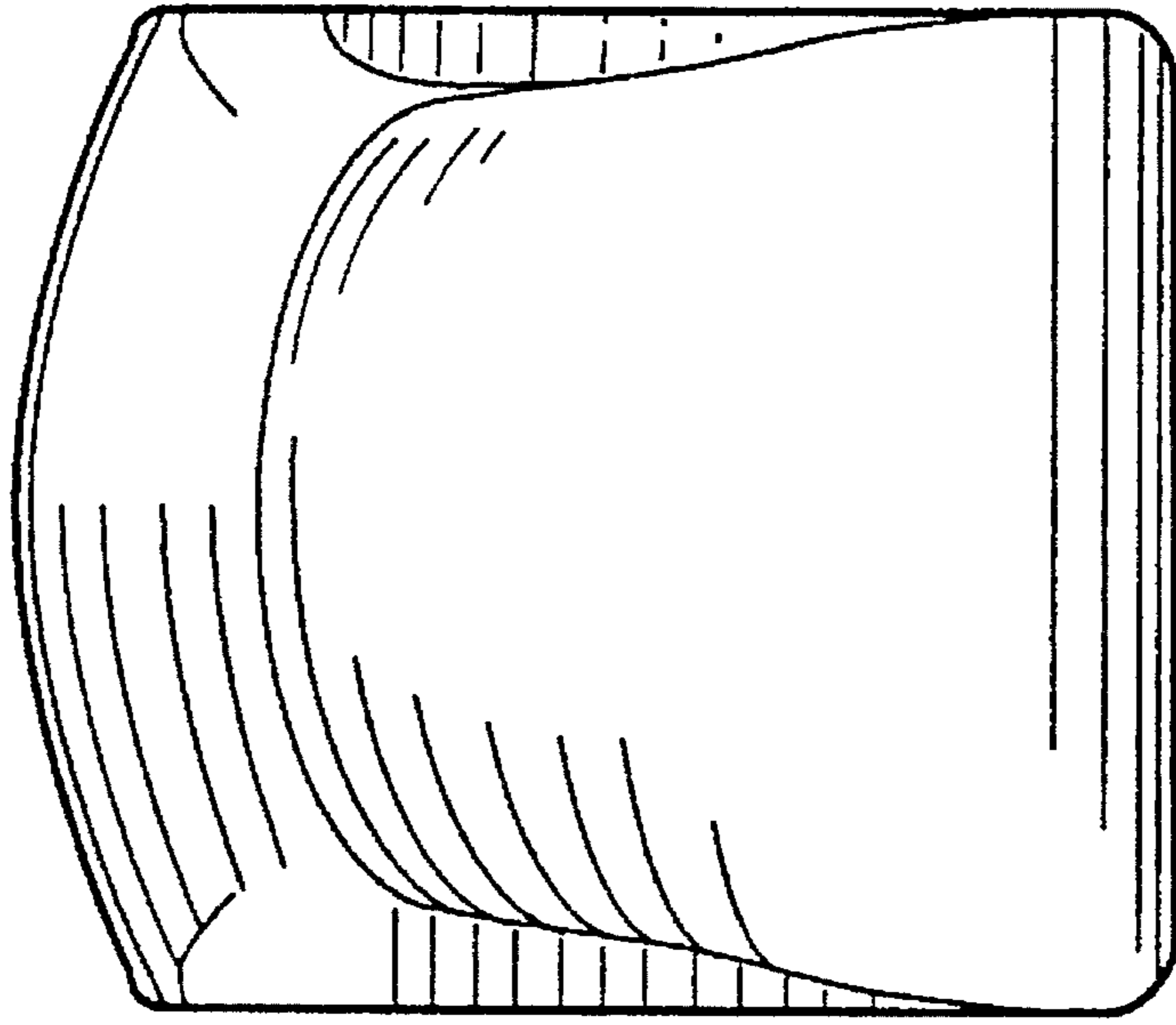
Fig. 5



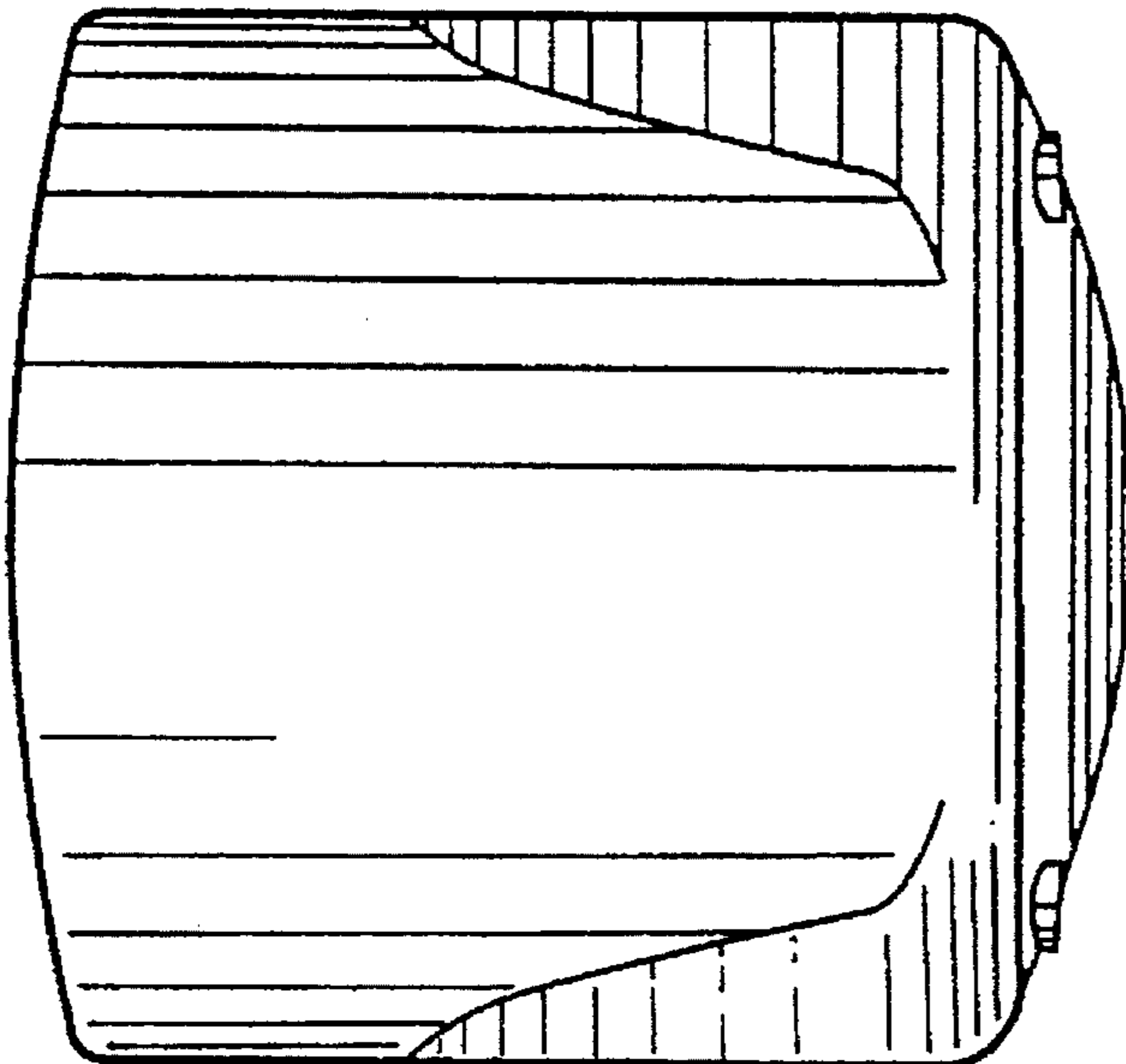
*Fig. 8*



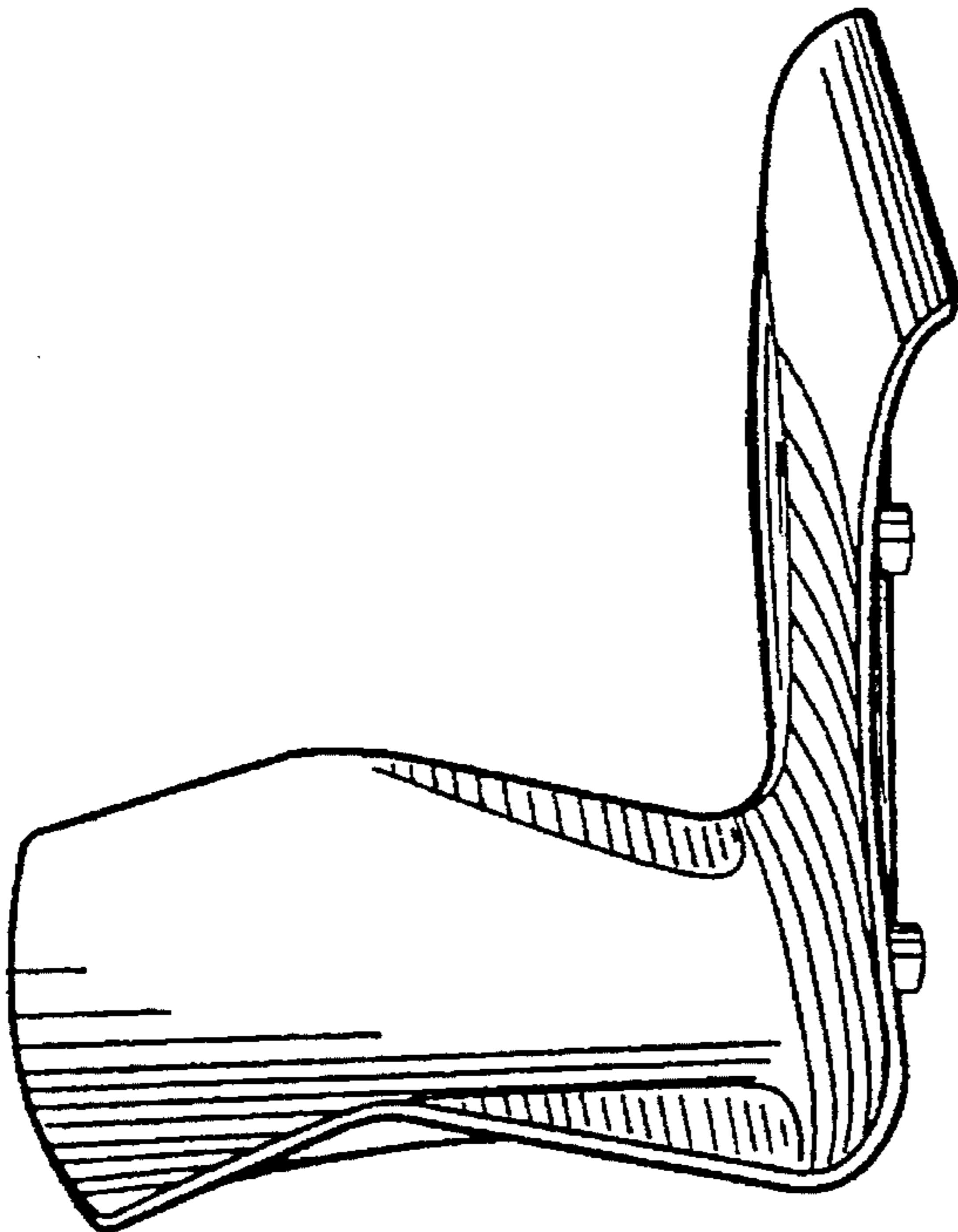
*Fig. 7*



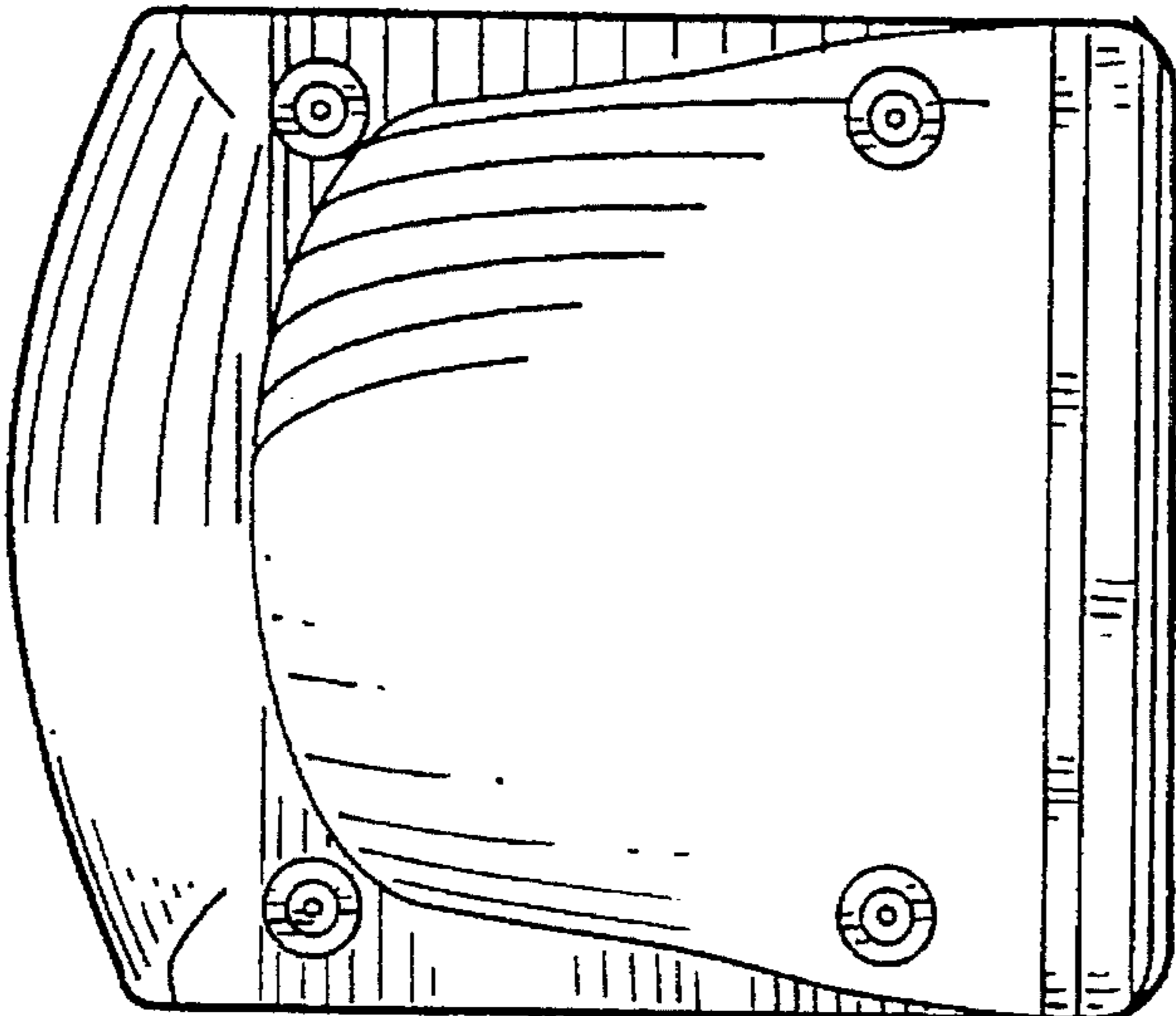
*Fig. 10*



*Fig. 9*



*Fig. 12*



*Fig. 11*