



US00D364971S

United States Patent [19] Sterlacci

[11] Patent Number: **Des. 364,971**

[45] Date of Patent: ****Dec. 12, 1995**

[54] **DROP ARM RECLINER**

[75] Inventor: **George Sterlacci**, Bohemia, N.Y.

[73] Assignee: **Lumex, Inc.**, Bay Shore, N.Y.

[**] Term: **14 Years**

[21] Appl. No.: **32,502**

[22] Filed: **Dec. 20, 1994**

[52] U.S. Cl. **D6/367**; D6/360; D12/128

[58] Field of Search D6/334, 335, 336,
D6/360, 361, 367, 368, 374, 379, 500,
501, 502; D12/128, 131; 297/68, 377

[56] **References Cited**

U.S. PATENT DOCUMENTS

D. 187,917	5/1960	Spound	D6/334
D. 213,365	2/1969	Crawford	D6/360
D. 220,954	6/1971	Spence	D6/367
D. 231,164	4/1974	Kellum	D6/367
D. 231,878	6/1974	Kellum	D6/334
D. 277,346	1/1985	Steinberger	D6/374
D. 296,625	7/1988	Mulhauser	D6/367
D. 315,123	3/1991	Spiegel et al.	D6/335 X
D. 332,706	1/1993	Douglas	D6/368
D. 338,113	8/1993	Laird	D6/367
D. 358,789	5/1995	Wheeler et al.	D12/128

OTHER PUBLICATIONS

"Ortho-Biotic 3-Position Recliners," Lumex Inc. ©1993, Brochure LU200.

"Specialty Seating," Lumex Inc. ©1994, Brochure LU105.

Primary Examiner—Alan P. Douglas

Assistant Examiner—Gary D. Watson

Attorney, Agent, or Firm—Davis Hoxie Faithfull & Hapgood

[57] **CLAIM**

The ornamental design for a drop arm recliner, as shown and described.

DESCRIPTION

FIG. 1 is a perspective view of the drop arm recliner from the center of the upper right side;

FIG. 2 is a top plan view of the drop arm recliner;

FIG. 3 is a front elevational view of the drop arm recliner;

FIG. 4 is a side elevational view of the drop arm recliner from the left side;

FIG. 5 is a rear elevational view of the drop arm recliner;

FIG. 6 is a bottom plan view of the drop arm recliner; and,

FIG. 7 is a perspective view of the drop arm recliner with armrests fully retracted, from the center of the upper right side.

1 Claim, 4 Drawing Sheets

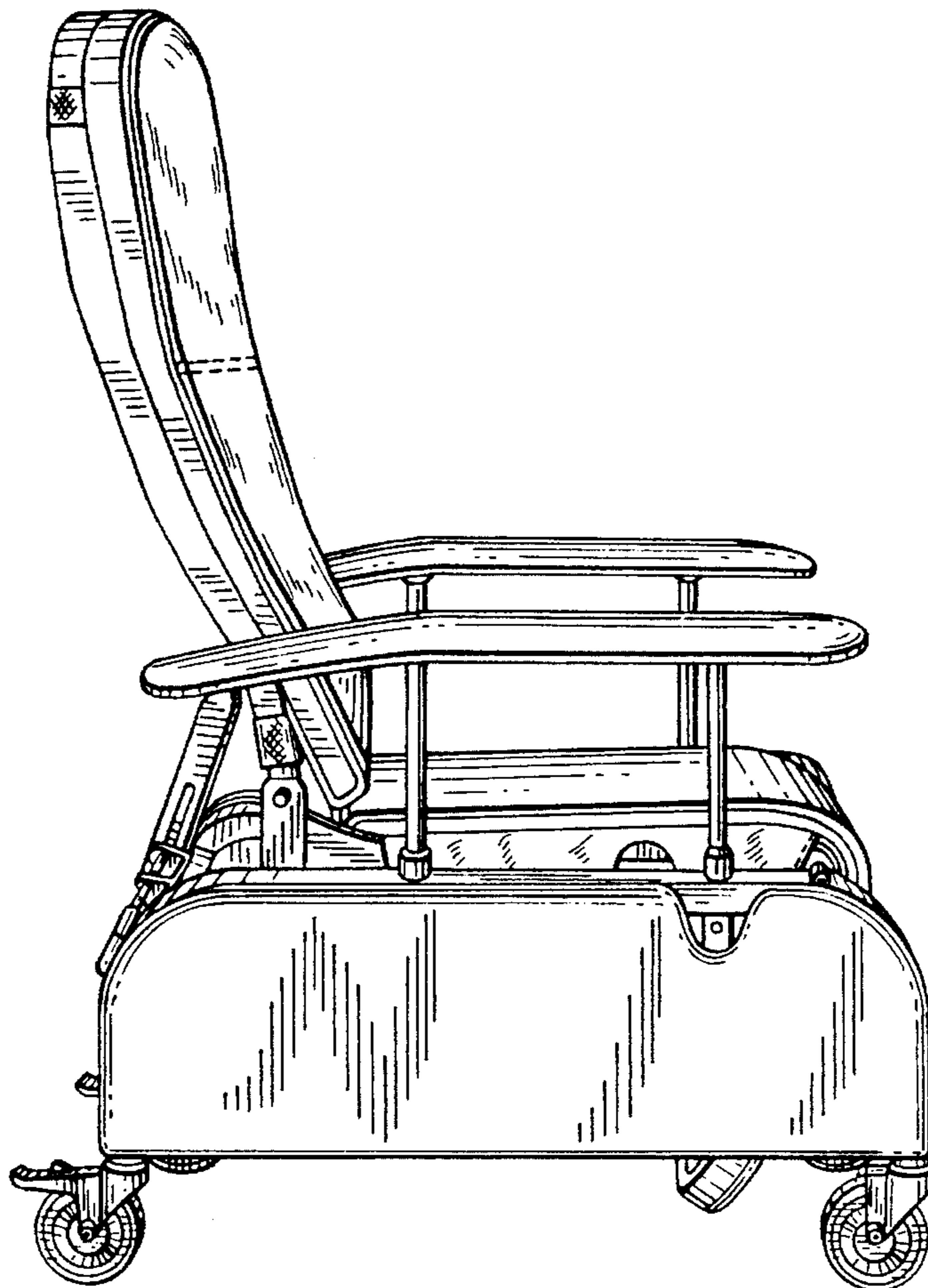


FIG. 2

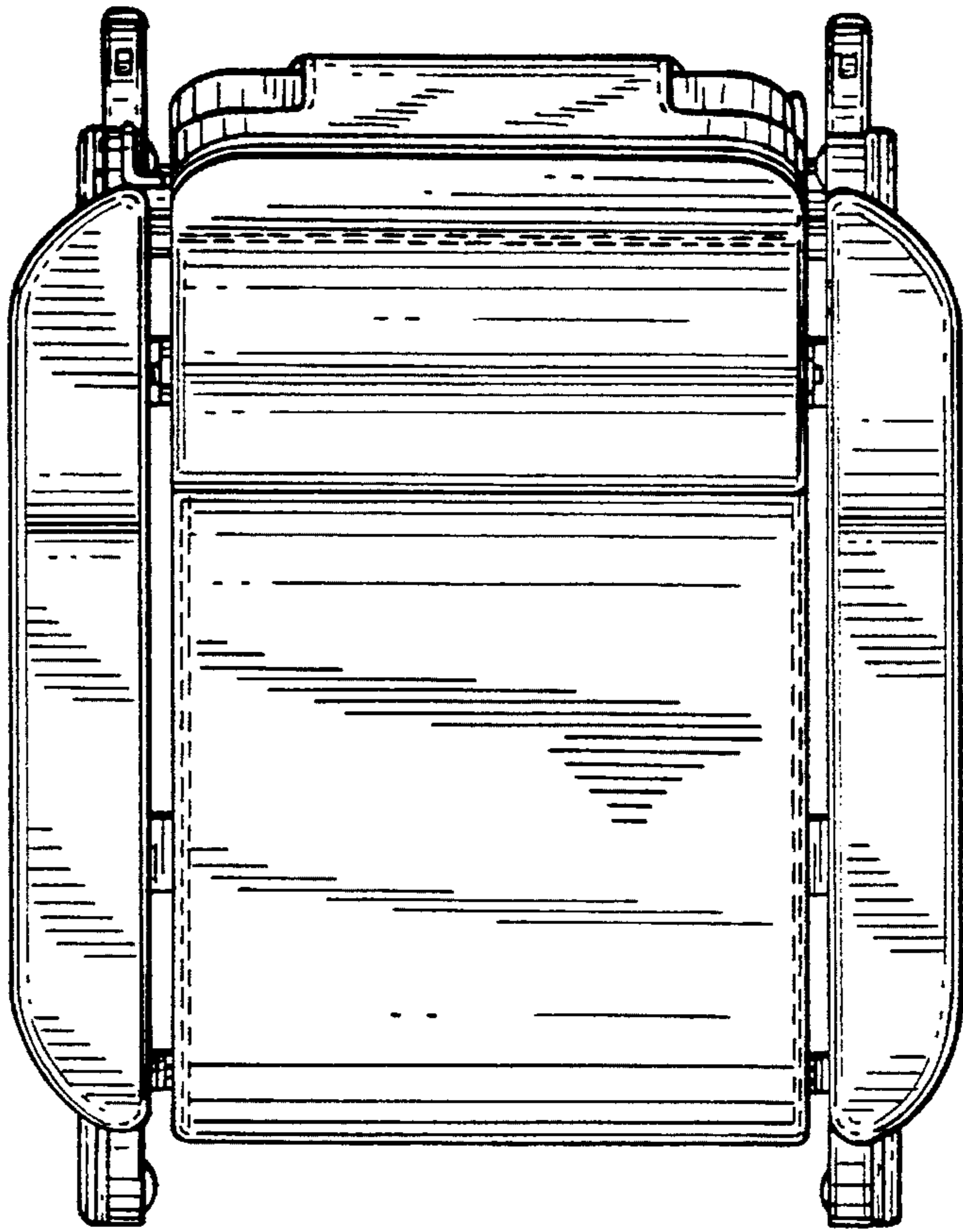
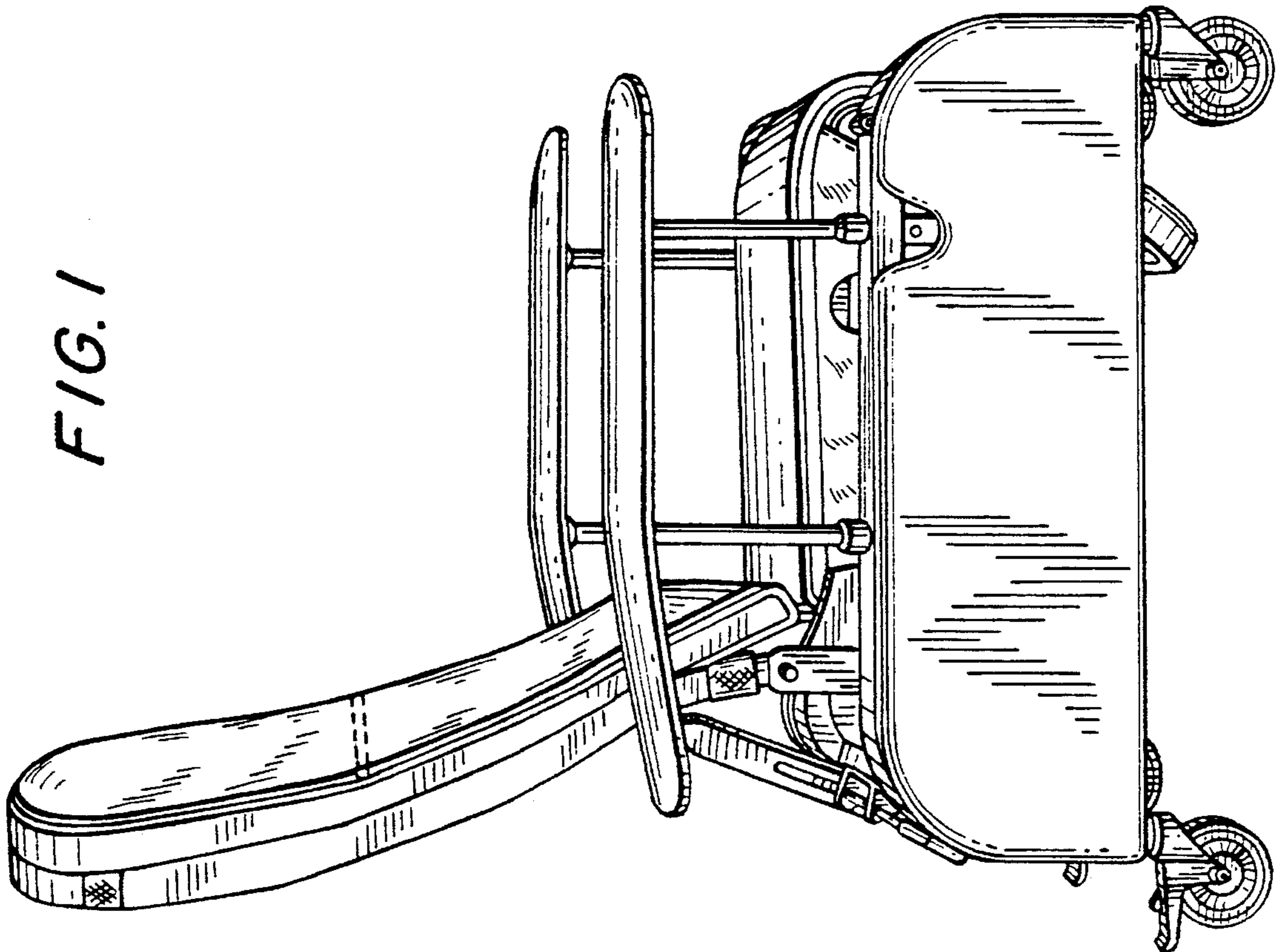


FIG. 1



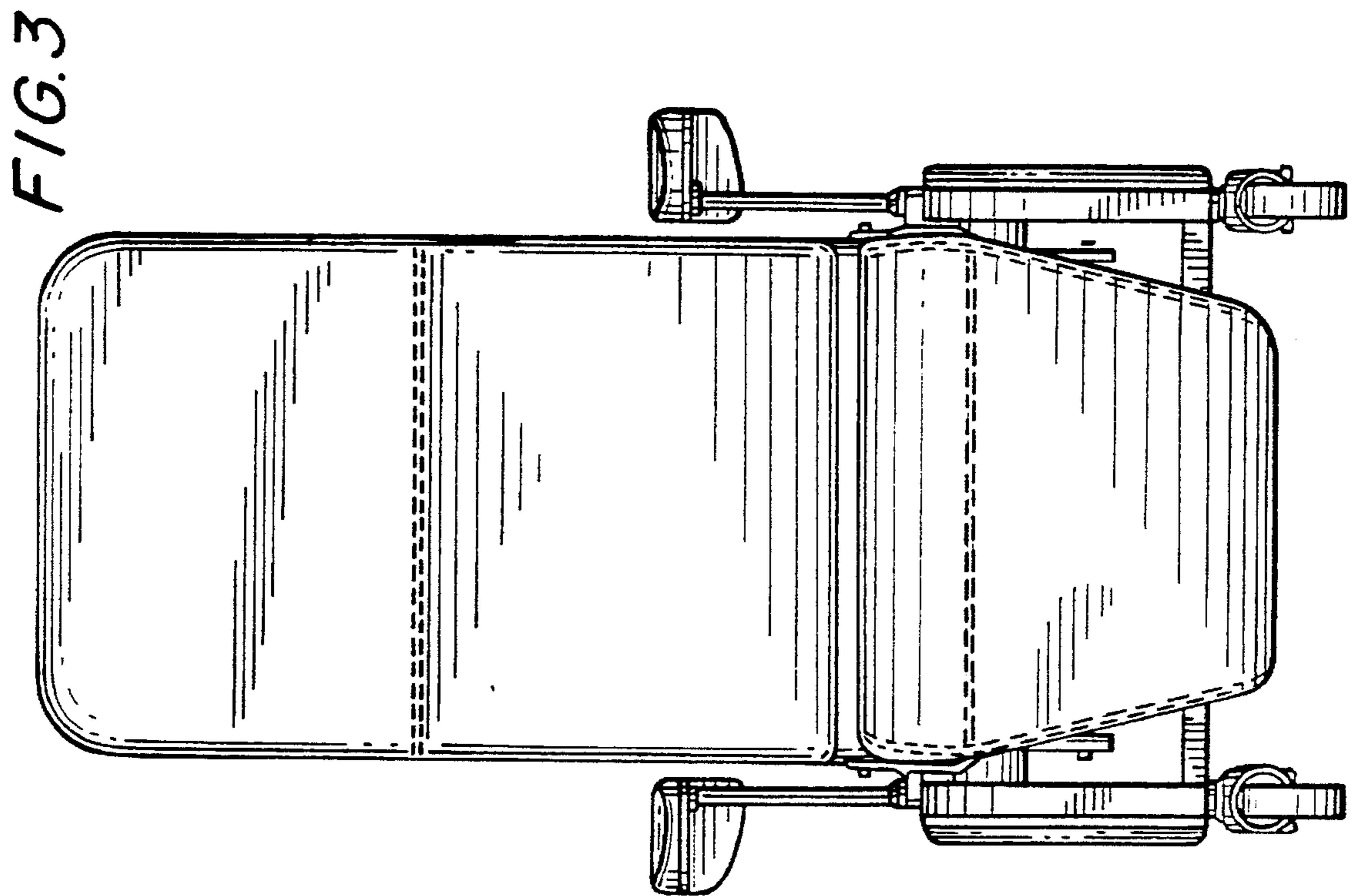
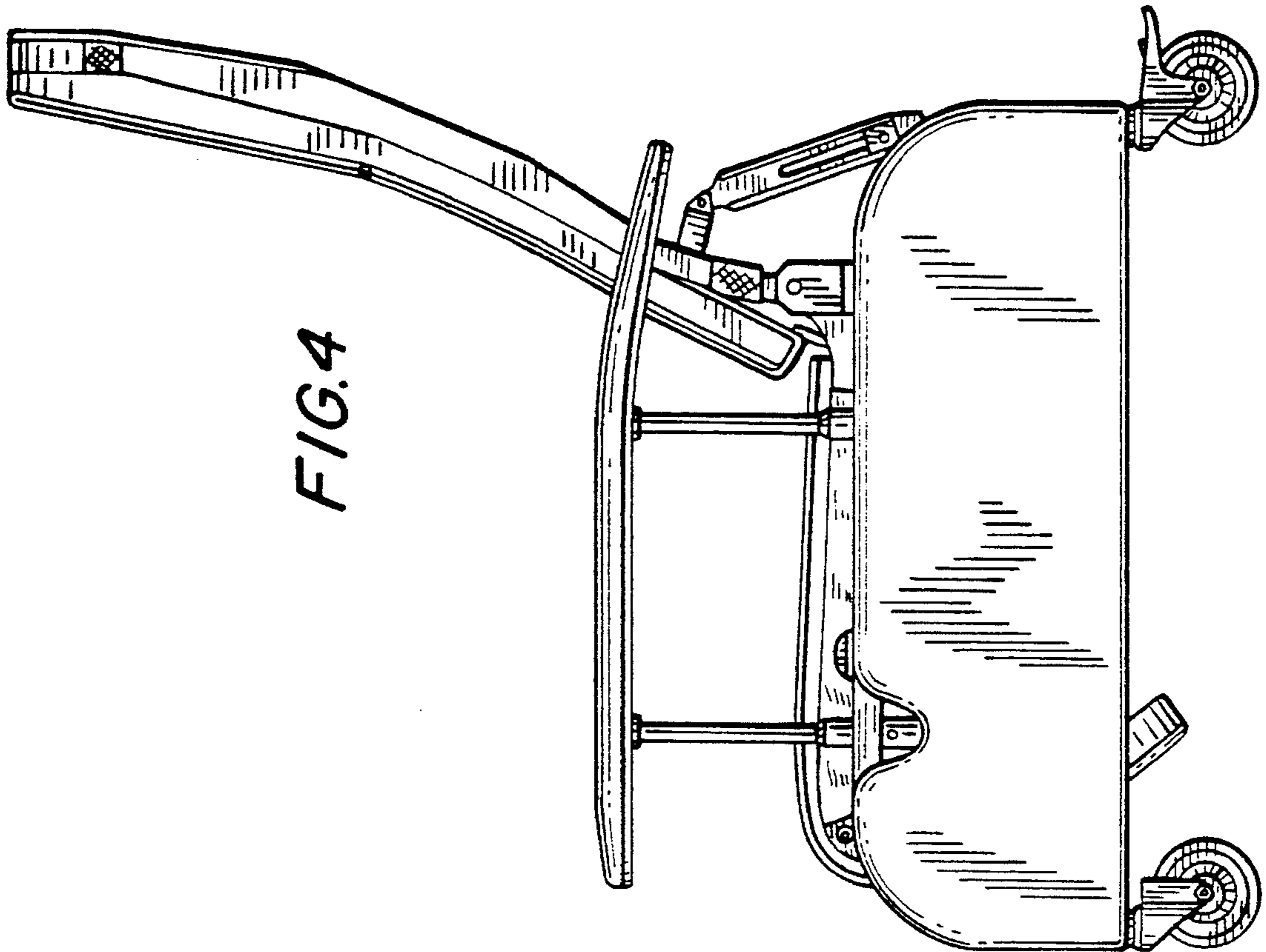


FIG. 5

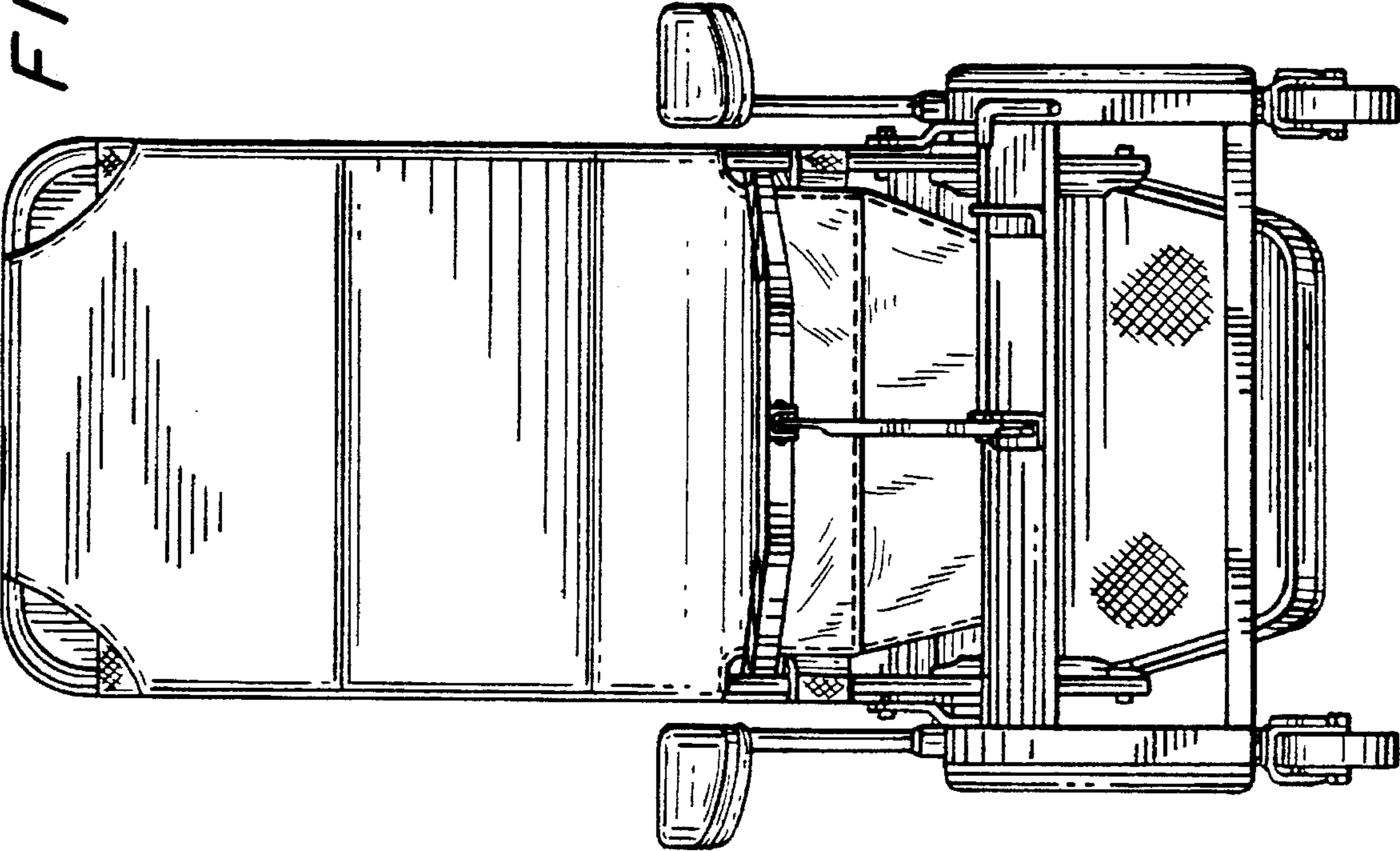


FIG. 6

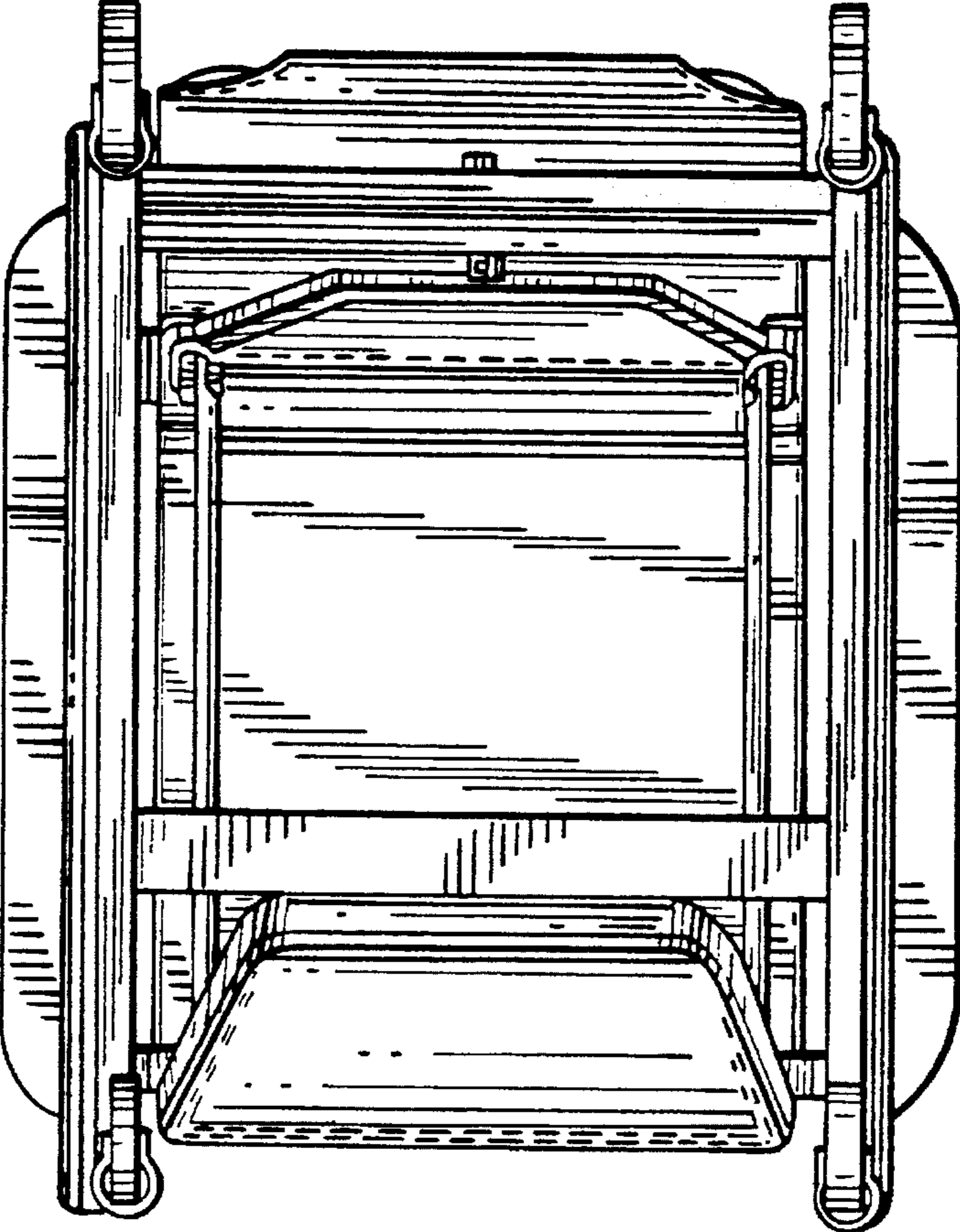


FIG. 7

