



US00D364968S

United States Patent [19]
Chien

[11] **Patent Number: Des. 364,968**

[45] **Date of Patent: **Dec. 12, 1995**

[54] **HIGH CHAIR**

D. 344,189 2/1994 Golenz et al. D6/339
5,238,292 8/1993 Golenz et al. 297/149

[75] Inventor: **Jui-Lung Chien**, Taichung, Taiwan

Primary Examiner—Janice E. Seeger
Attorney, Agent, or Firm—Morton J. Rosenberg; David I. Klein

[73] Assignee: **Jina Manufacturer Thai Co., Ltd.**,
Bangkok, THX

[**] Term: **14 Years**

[57] **CLAIM**

The ornamental design for a high chair, as shown.

[21] Appl. No.: **28,349**

DESCRIPTION

[22] Filed: **Sep. 13, 1994**

[52] U.S. Cl. **D6/339**

[58] Field of Search D6/333, 339; D12/129;
297/148-154, 250.1

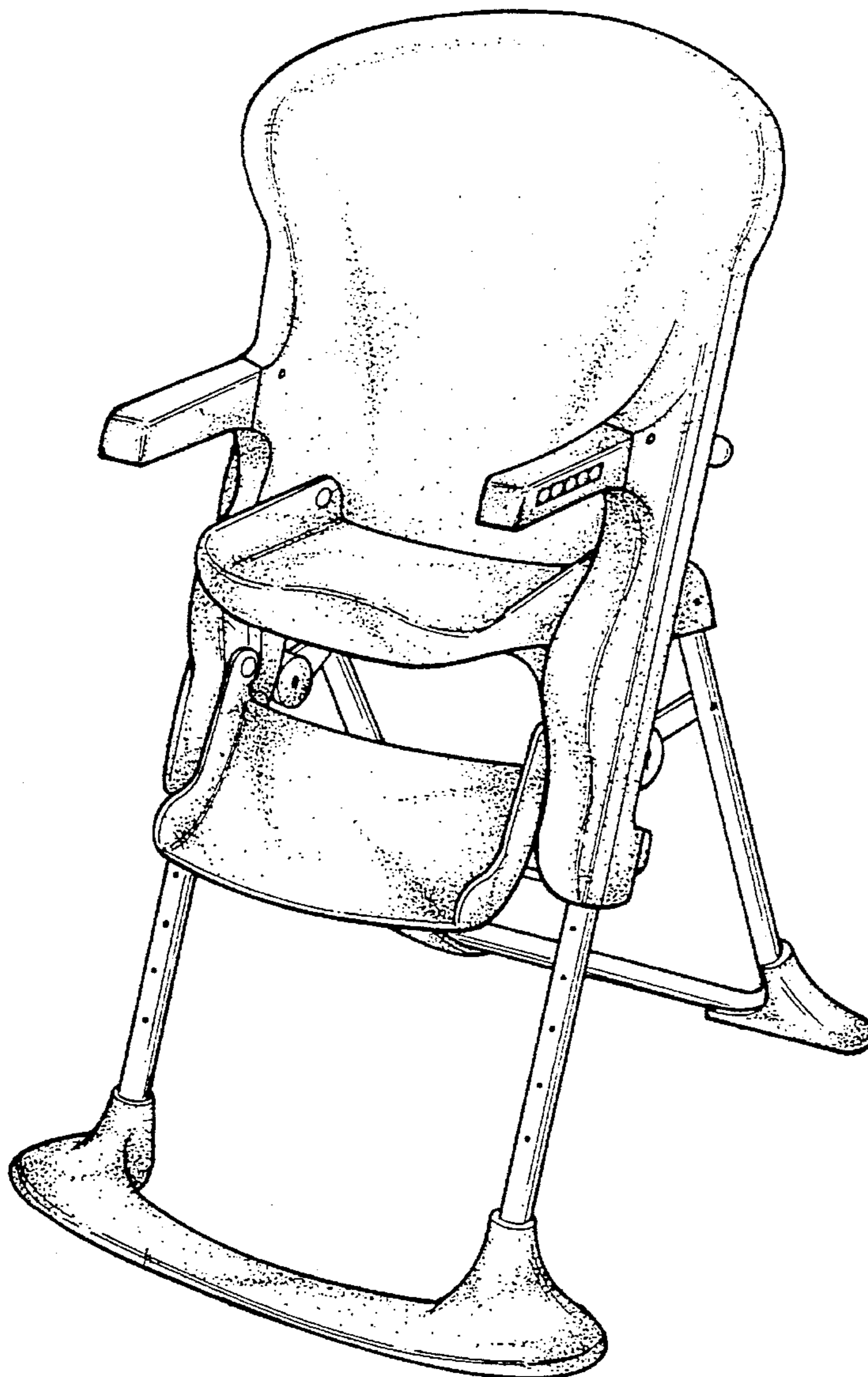
FIG. 1 is an isometric view of a high chair;
FIG. 2 is a front view thereof;
FIG. 3 is a rear view thereof;
FIG. 4 is a left side view thereof;
FIG. 5 is a right side view thereof;
FIG. 6 is a top view thereof; and,
FIG. 7 is a bottom view thereof.

[56] **References Cited**

U.S. PATENT DOCUMENTS

D. 151,417 10/1948 Sverdlik D6/339
D. 330,461 10/1992 Stevens D6/333

1 Claim, 4 Drawing Sheets



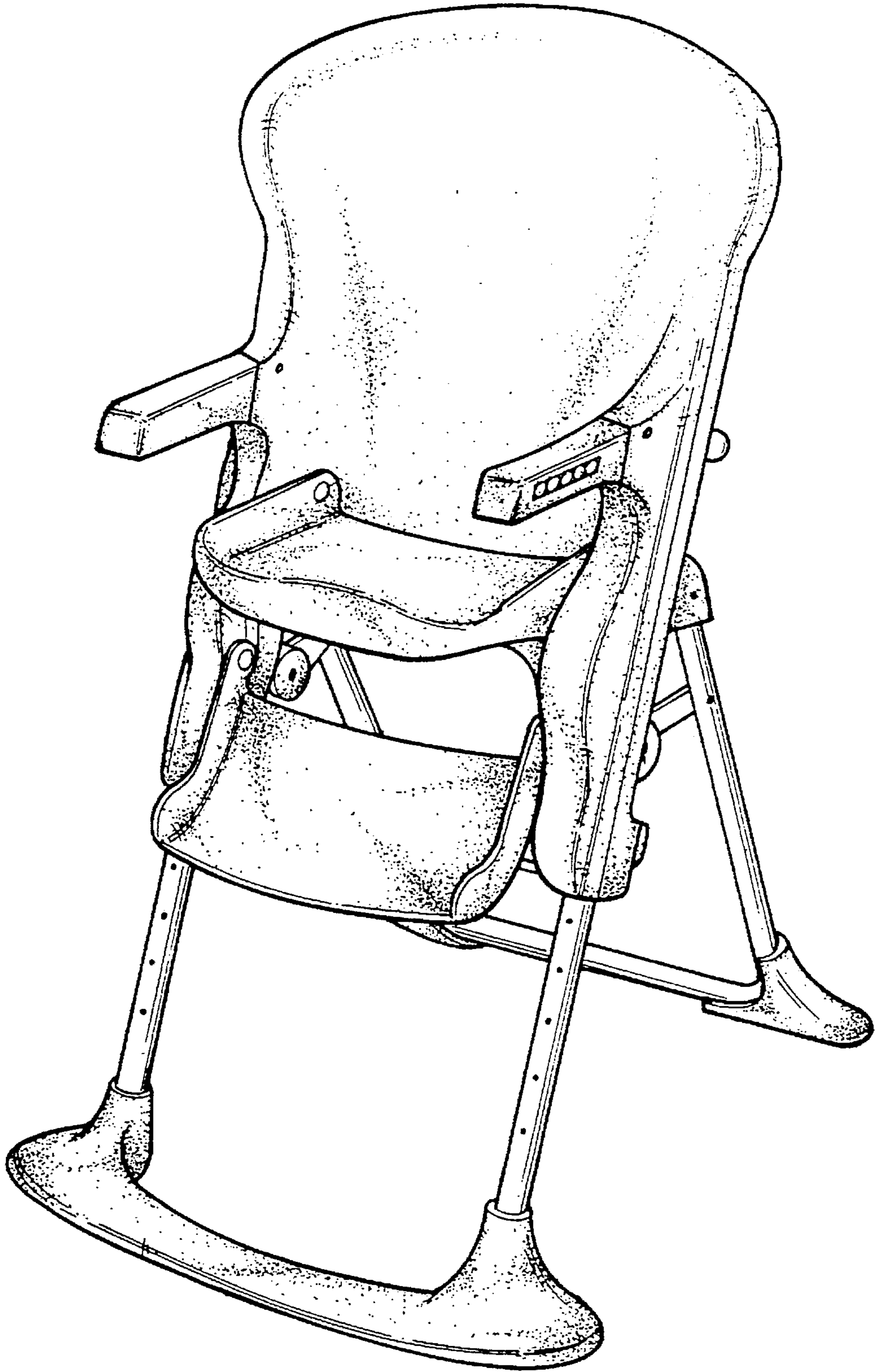


Fig. 1

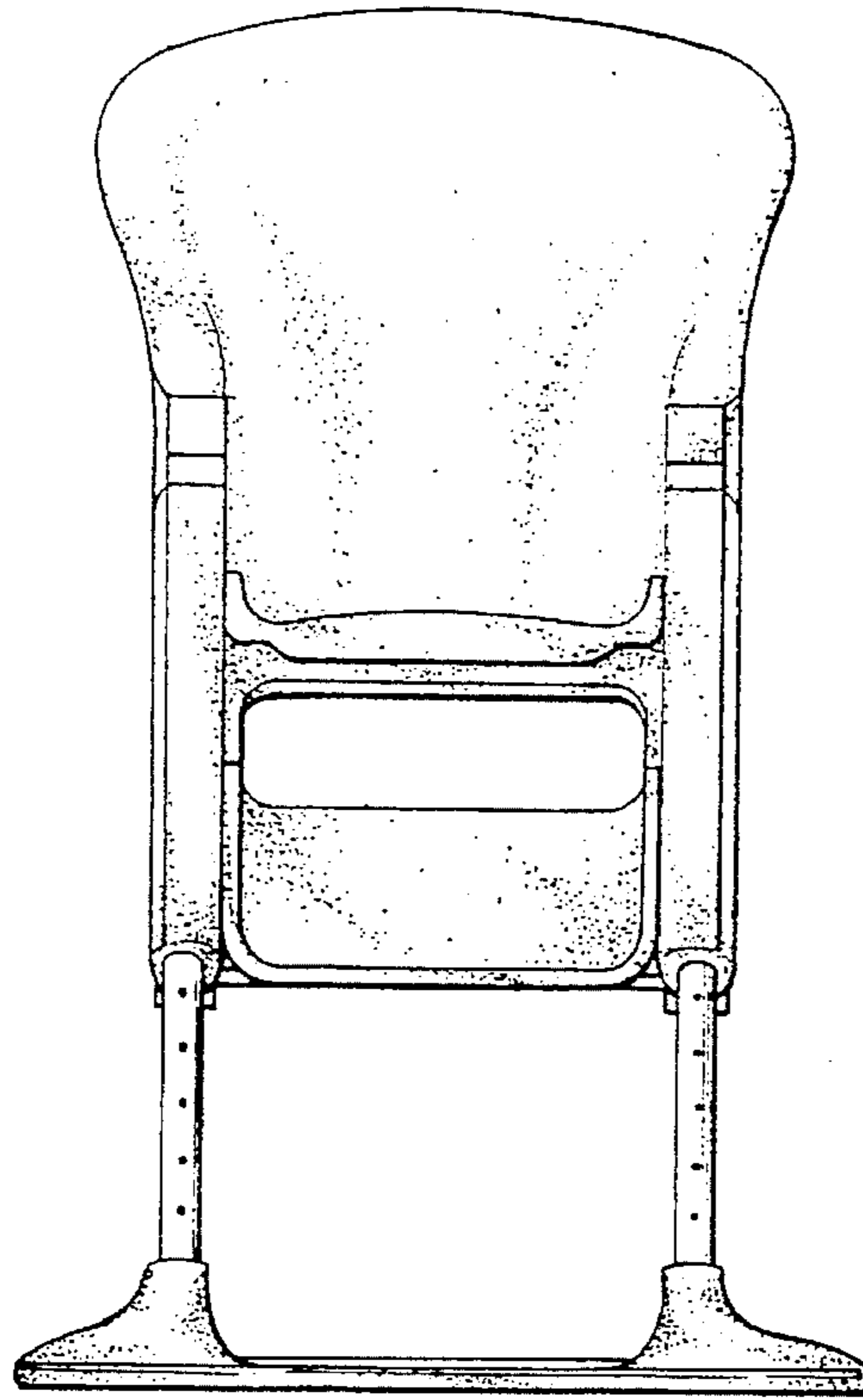


Fig. 2

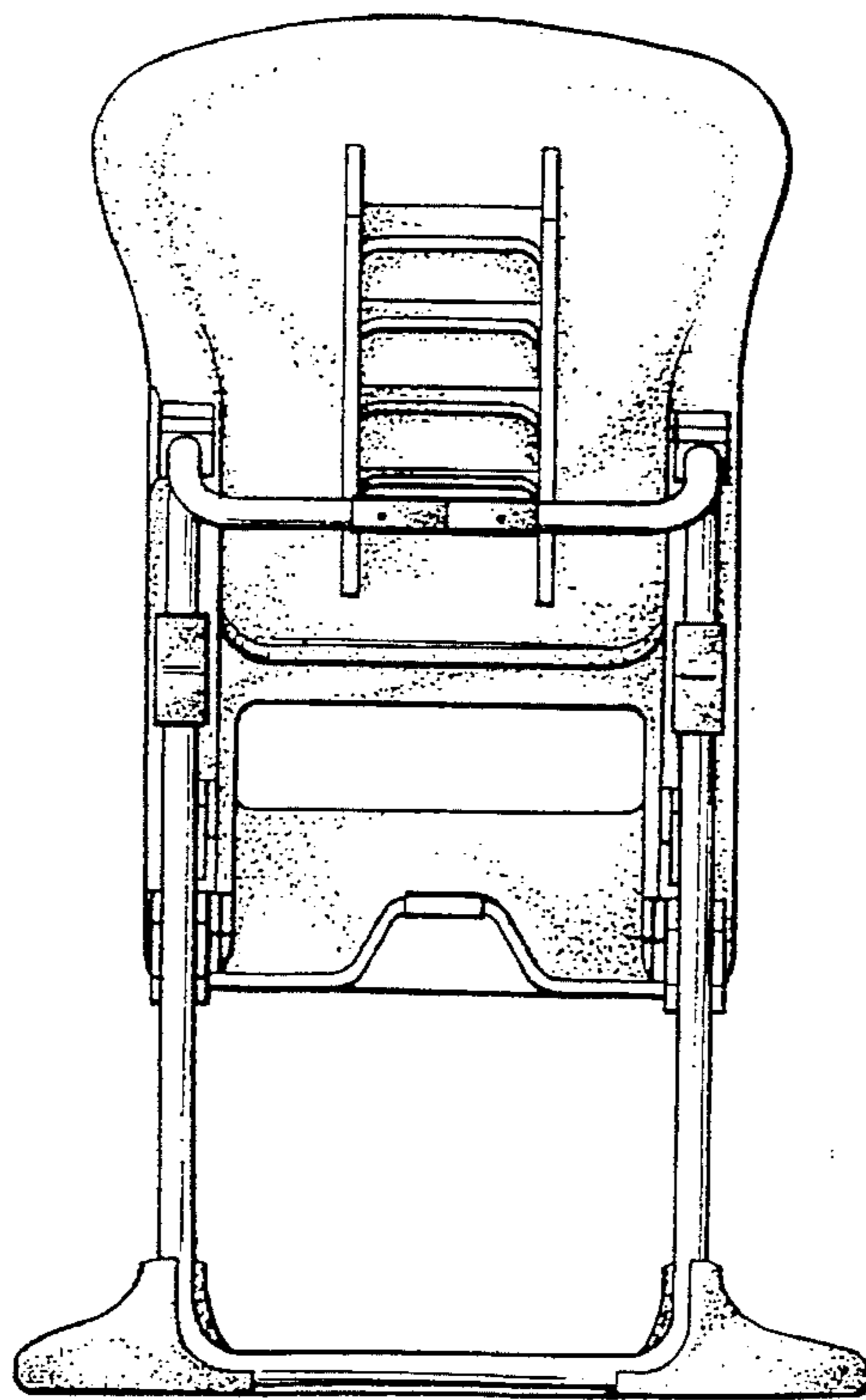


Fig. 3

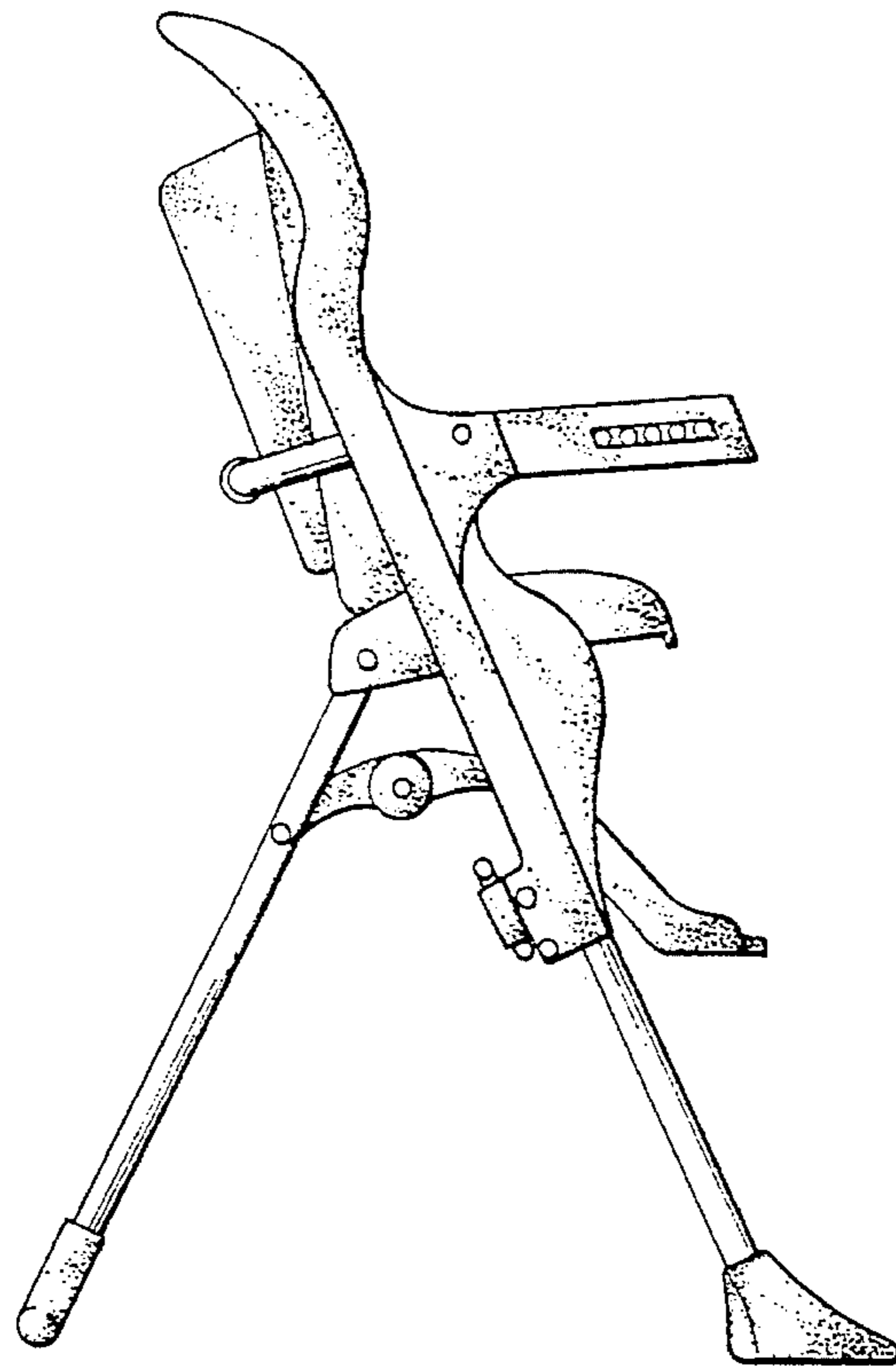


Fig. 4

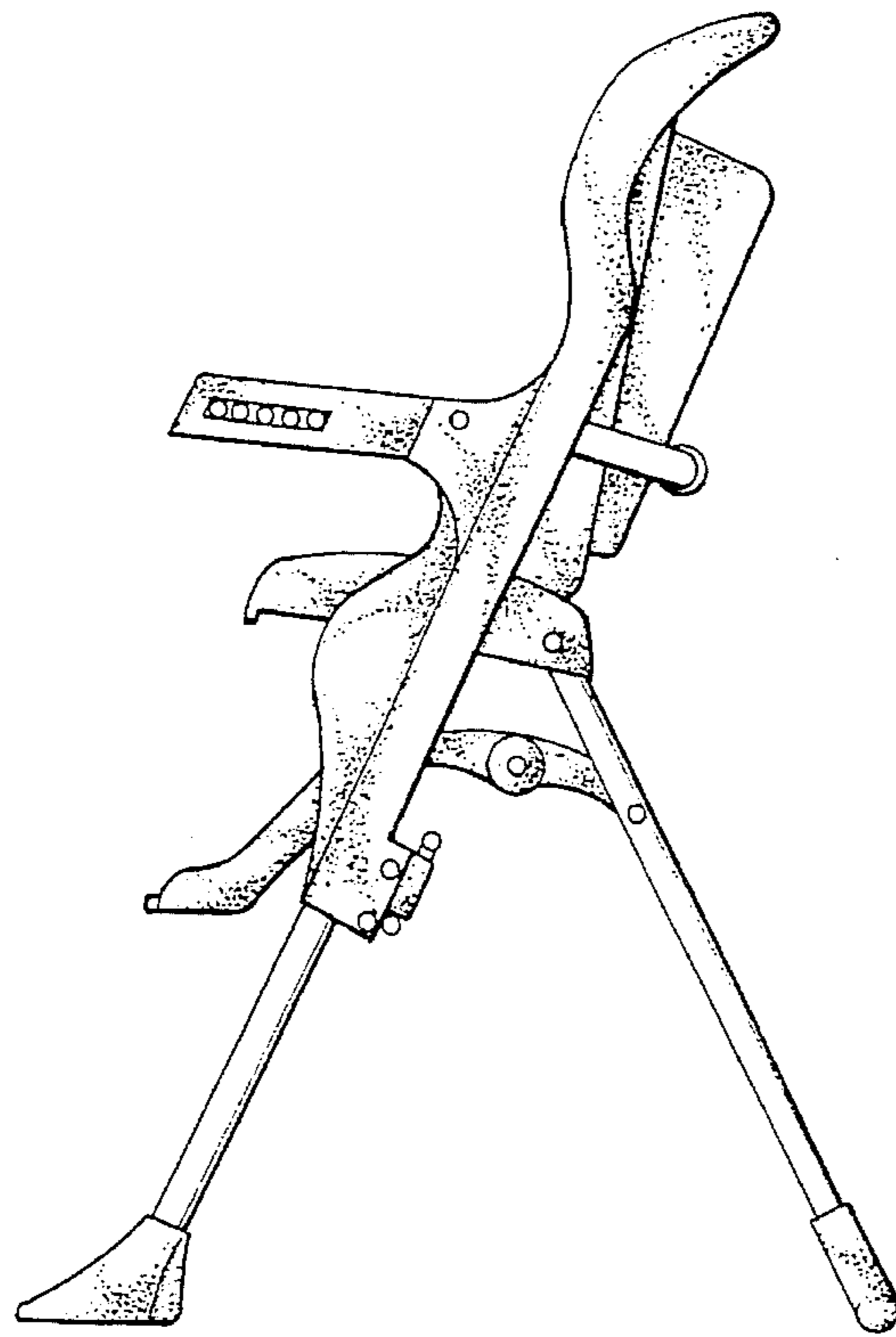


Fig. 5

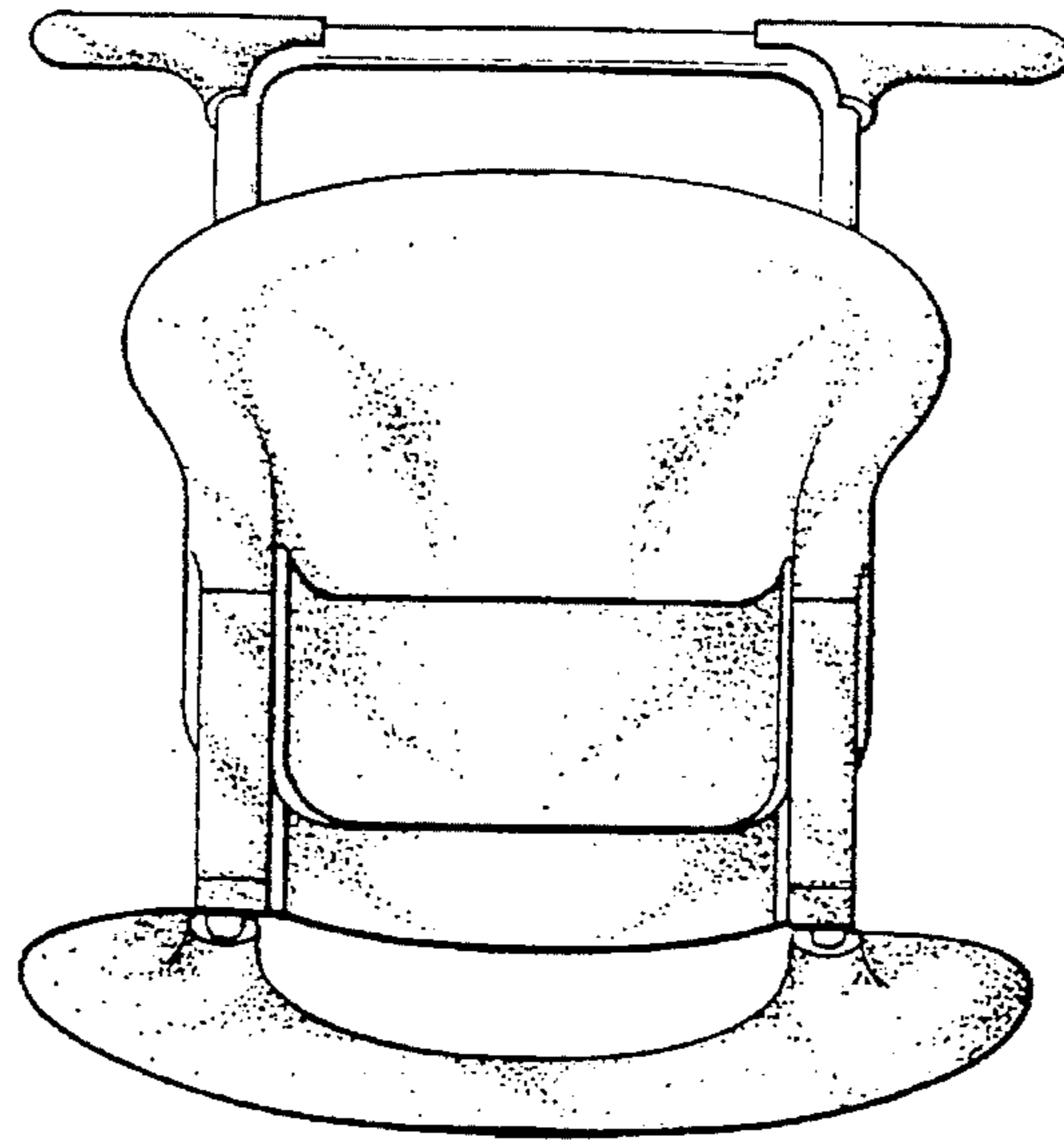


Fig. 6

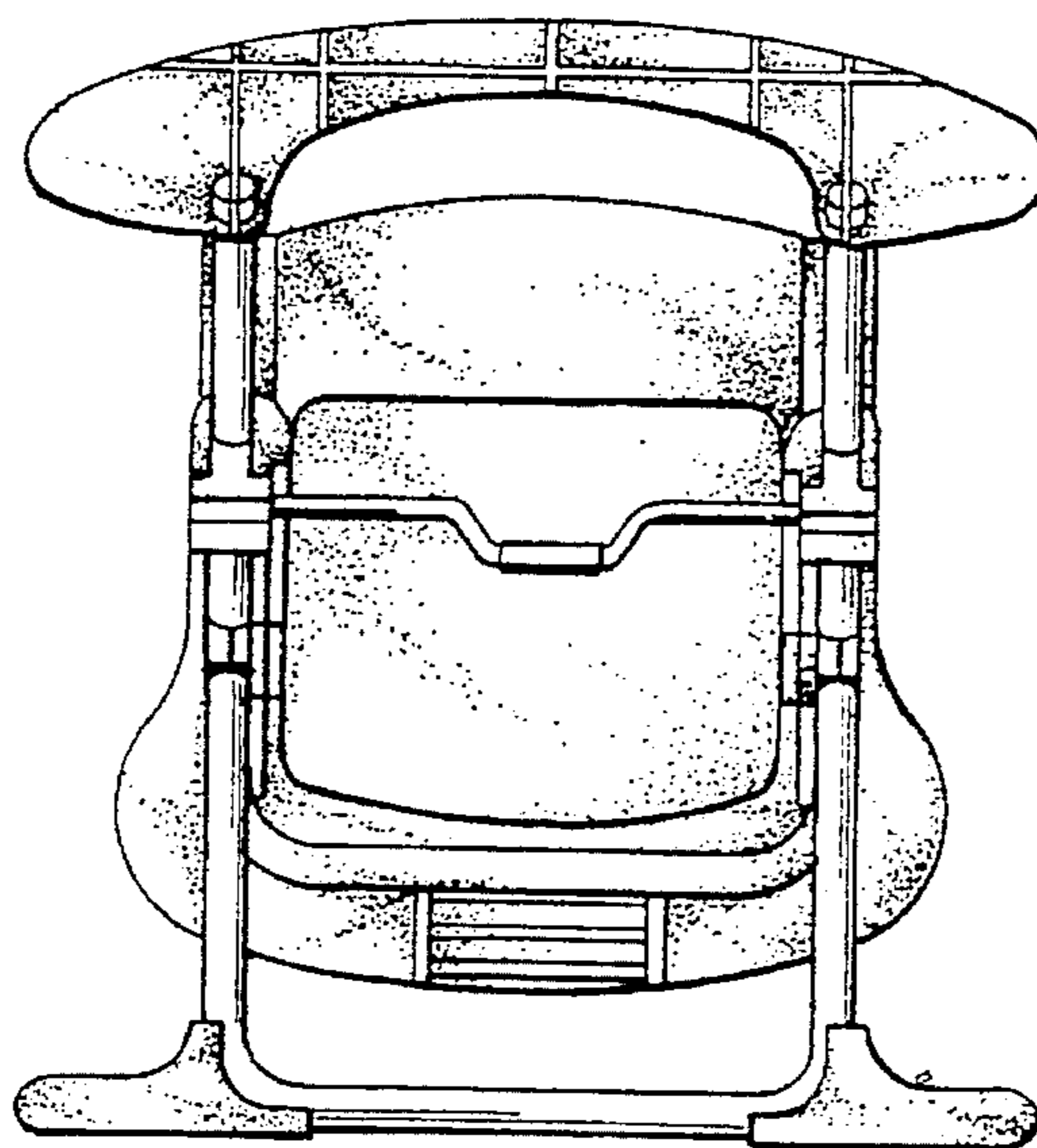


Fig. 7