



US00D364967S

United States Patent [19]

Longaberger et al.

[11] Patent Number: **Des. 364,967**

[45] Date of Patent: ****Dec. 12, 1995**

[54] BENCH

[75] Inventors: **David W. Longaberger**, Newark; **Gary C. Longaberger**, Dresden; **Trevor R. King**, Warsaw, all of Ohio

[73] Assignee: **The Longaberger Company**, Dresden, Ohio

[**] Term: **14 Years**

[21] Appl. No.: **31,059**

[22] Filed: **Nov. 16, 1994**

[52] U.S. Cl. **D6/336; D6/371; D6/380**

[58] Field of Search D6/334, 335, 336, D6/368, 371, 373, 374, 379, 380, 500, 501; 297/232, 440.2, 445, 446

[56] **References Cited**

U.S. PATENT DOCUMENTS

- D. 122,598 9/1940 Henkel et al. D6/375
- D. 148,289 1/1948 Discher D6/374

- D. 238,633 2/1976 Hunter D6/371 X
- D. 278,776 5/1985 Kime D6/379 X
- 2,481,935 9/1949 Larson 297/440.2 X

Primary Examiner—Alan P. Douglas
Assistant Examiner—Gary D. Watson
Attorney, Agent, or Firm—Porter, Wright, Morris & Arthur

[57] **CLAIM**

The ornamental design for a bench, as shown and described.

DESCRIPTION

FIG. 1 is a perspective view of the bench showing our new design;
FIG. 2 is a side view thereof;
FIG. 3 is another side view thereof;
FIG. 4 is a front view thereof;
FIG. 5 is a top view thereof;
FIG. 6 is a rear view thereof;
FIG. 7 is a bottom view thereof; and,
FIG. 8 is a side view of another embodiment of the bench.

1 Claim, 4 Drawing Sheets

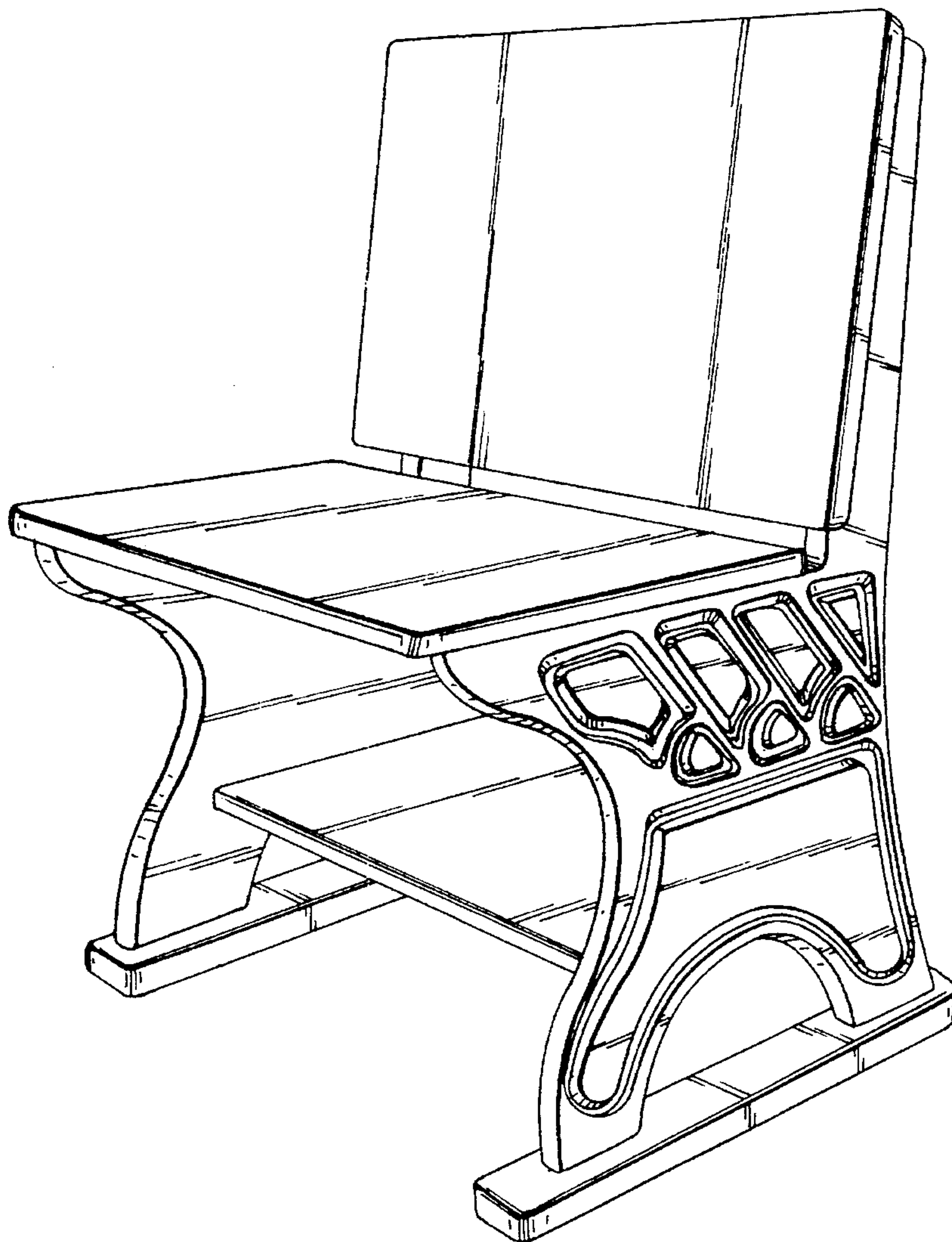


Fig. 1

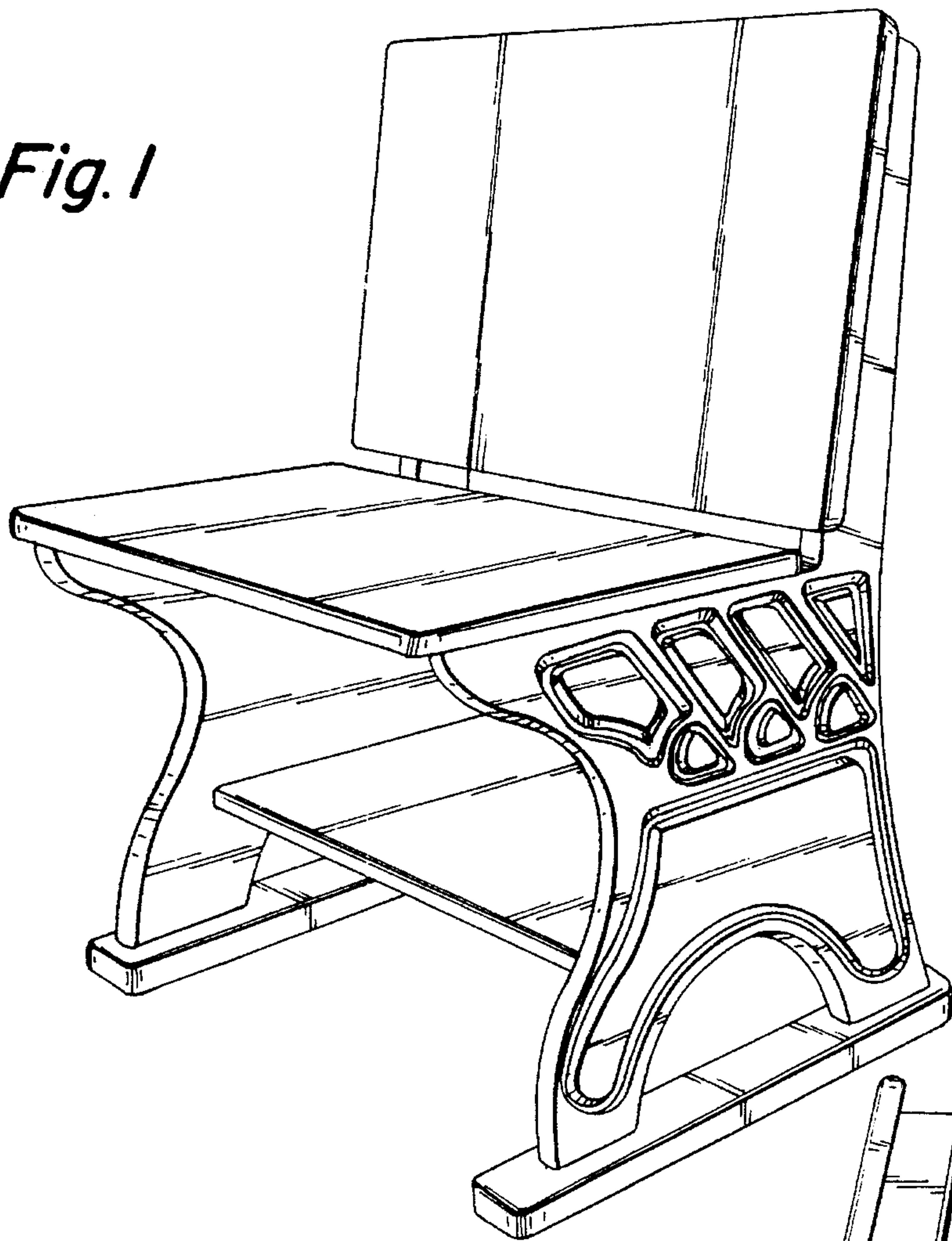
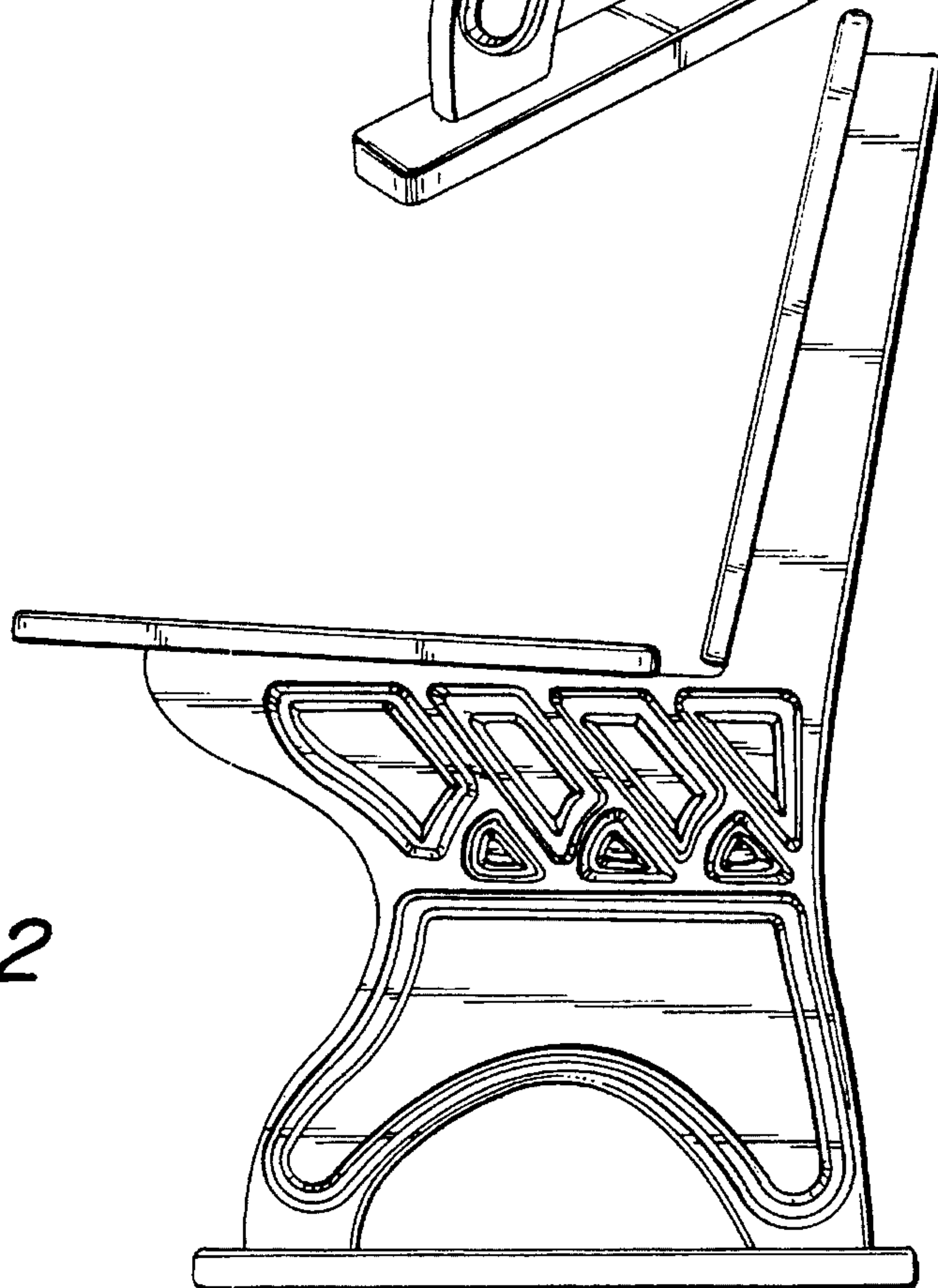


Fig. 2



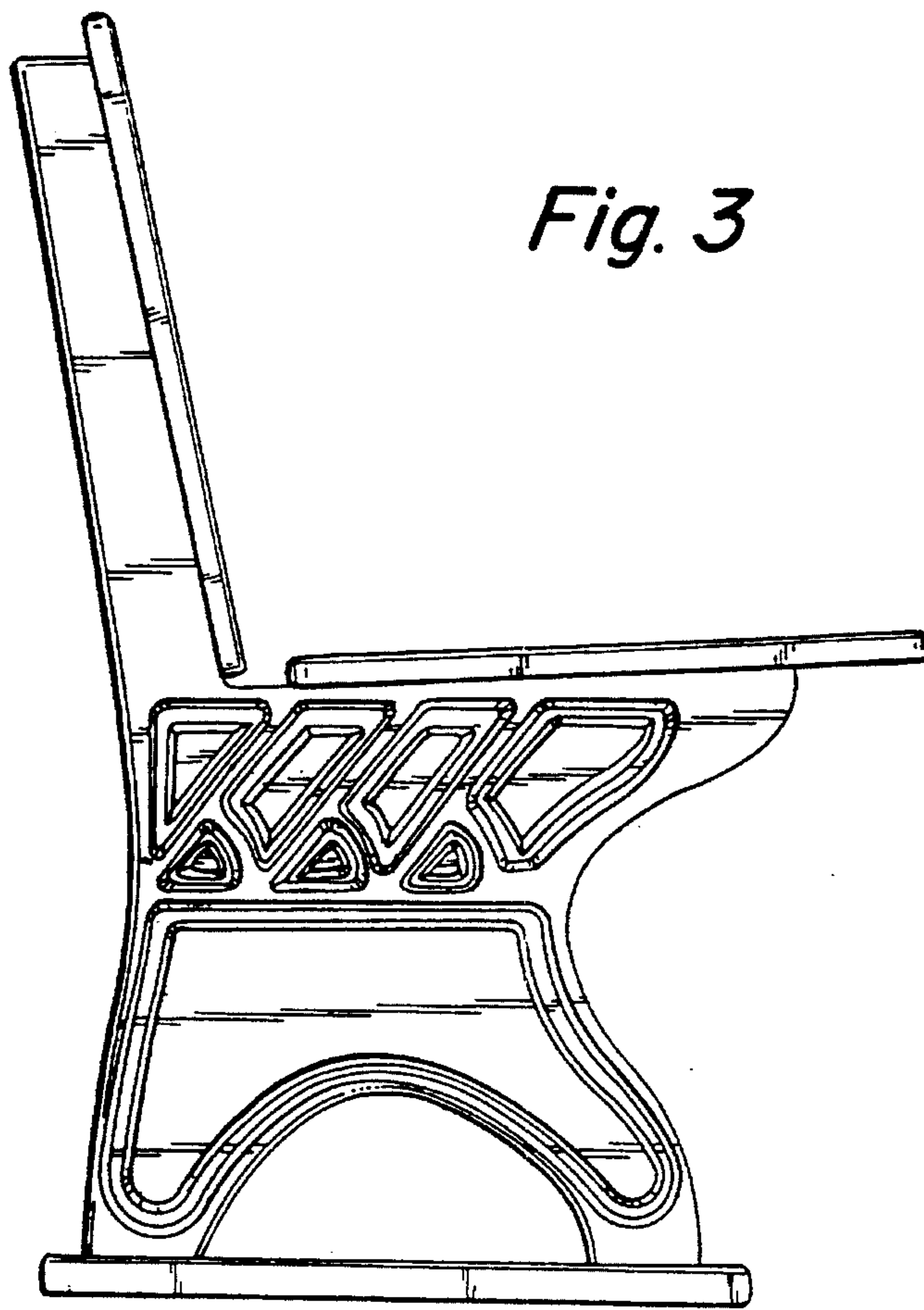


Fig. 4

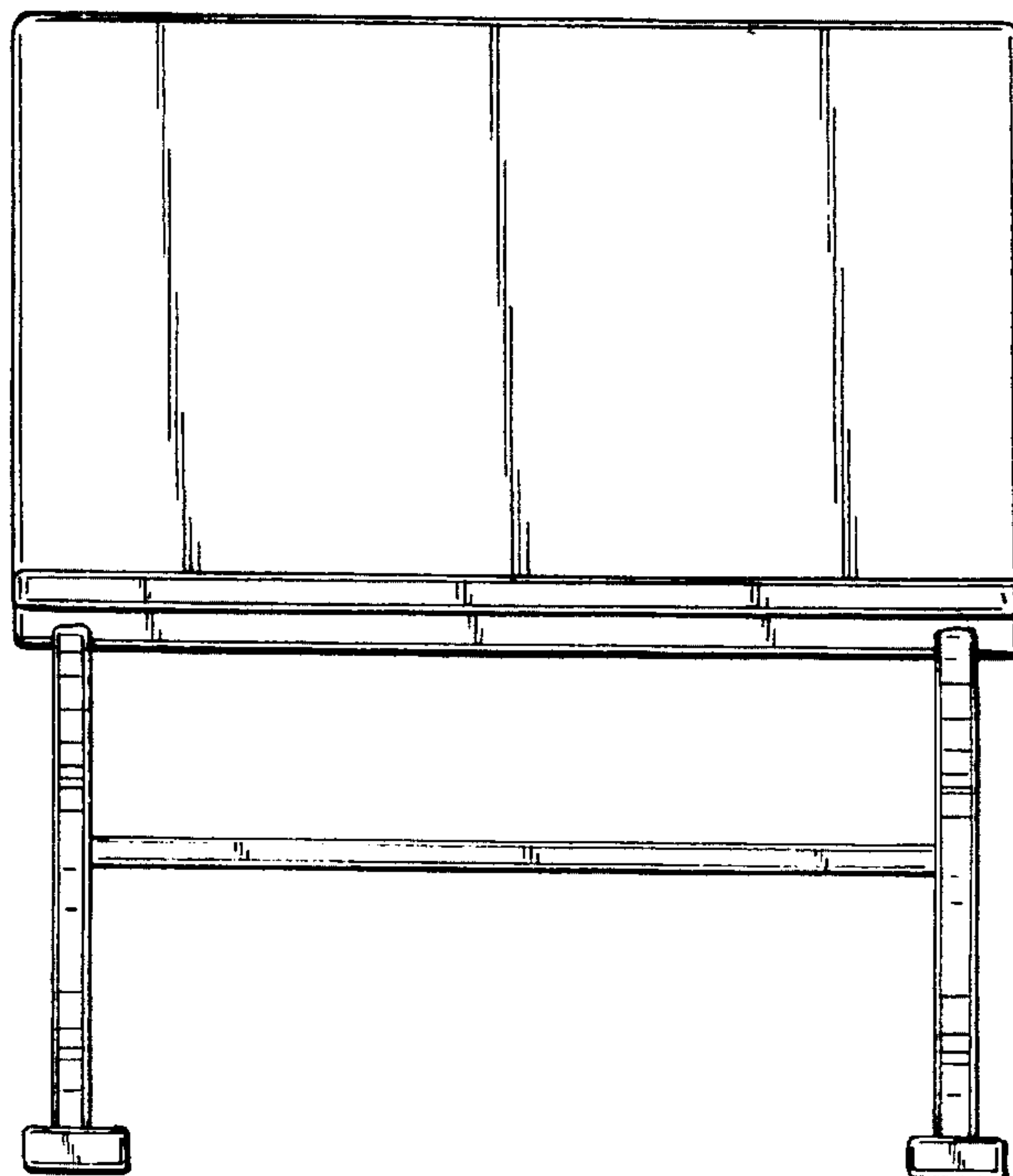


Fig. 5

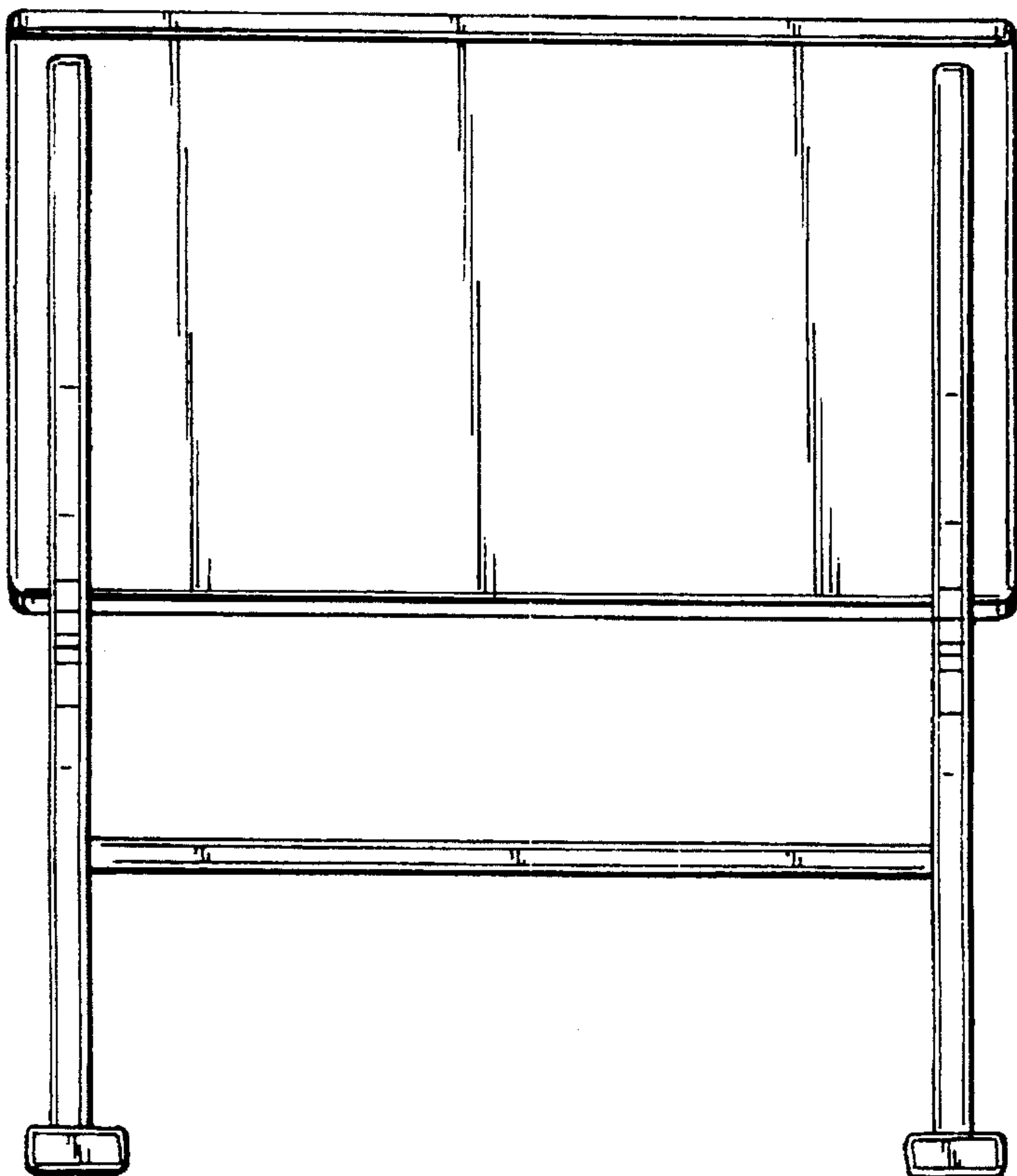
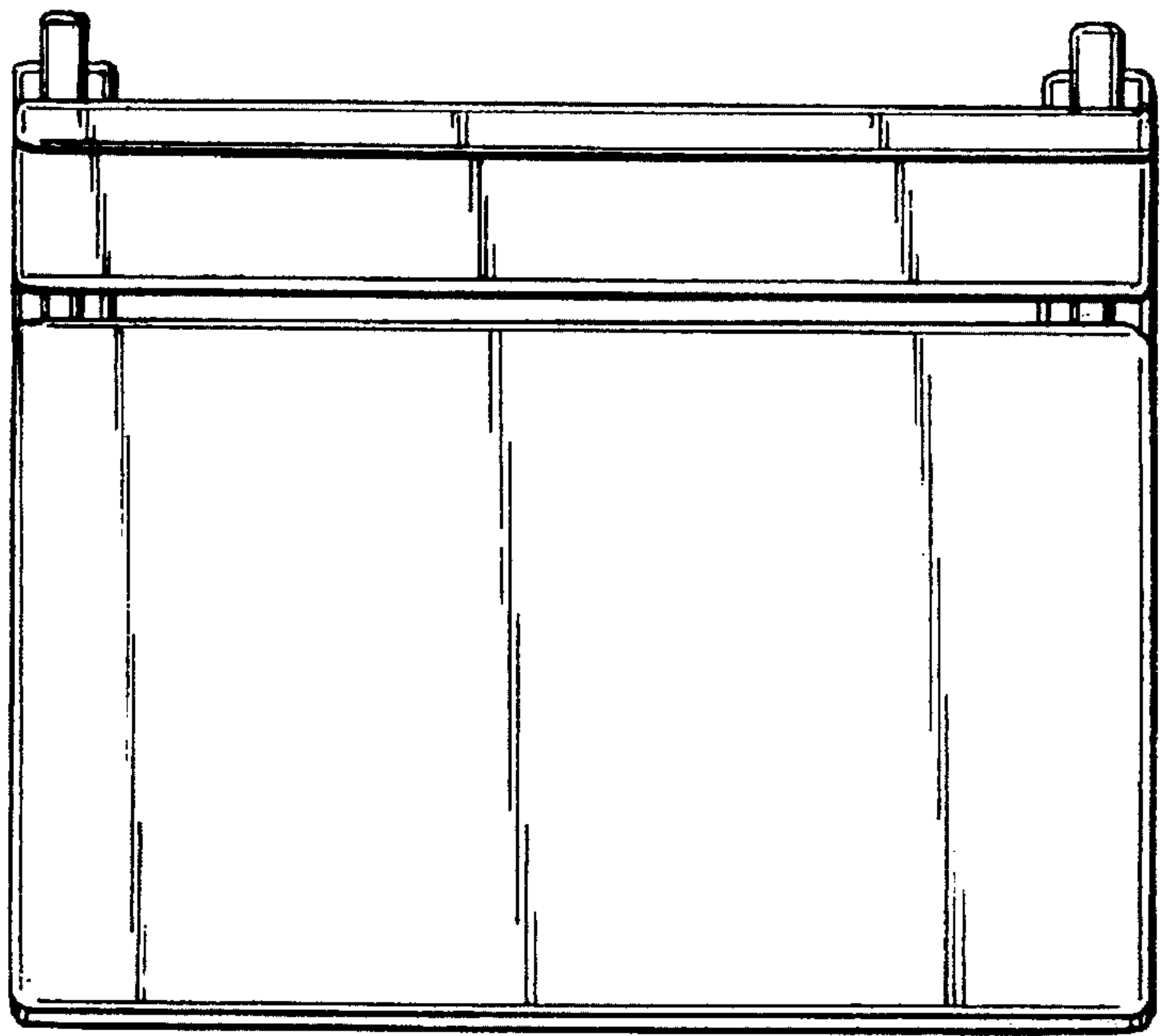


Fig. 6

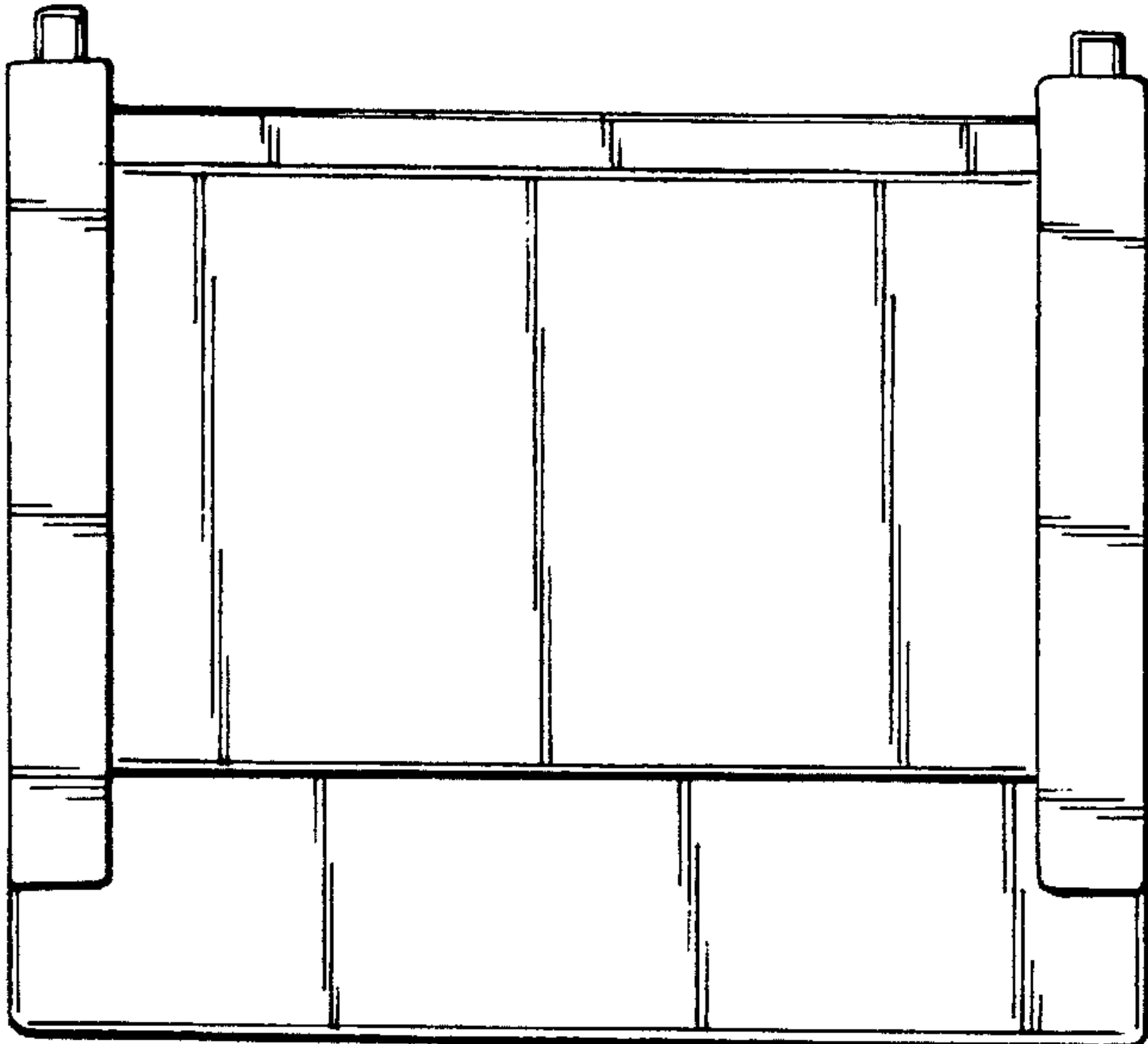


Fig. 7

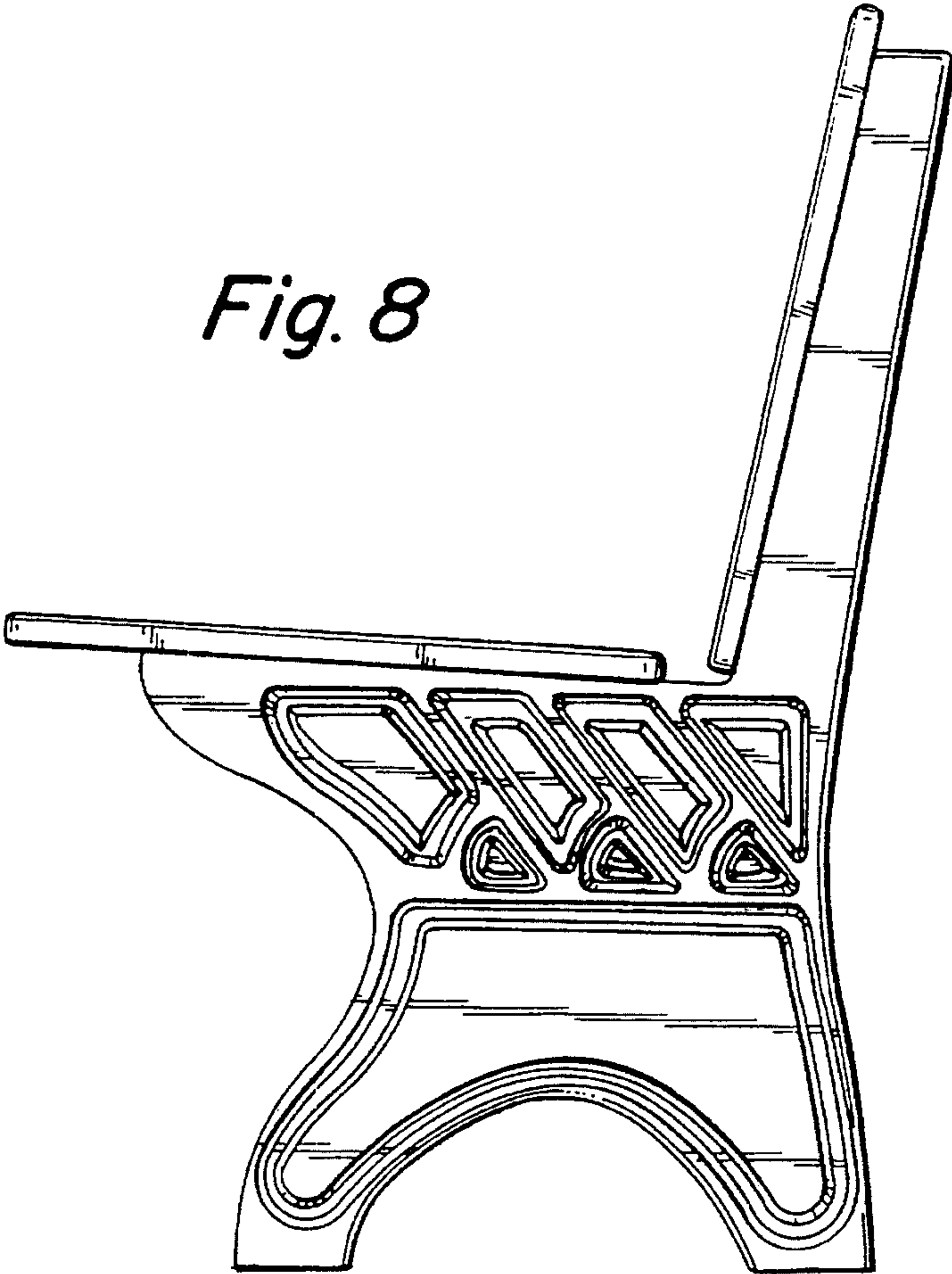


Fig. 8