



US00D364966S

United States Patent [19]

Kennedy, Jr.

[11] **Patent Number: Des. 364,966**

[45] **Date of Patent: **Dec. 12, 1995**

[54] **PHOTO DISPLAY AND CASSETTE STORAGE**

D. 276,012 10/1984 Westcott et al. D6/301

[76] Inventor: **Alberto V. Kennedy, Jr.**, 8615 NW. 8 St., Apt. #314, Miami, Fla. 33126

Primary Examiner—Janice E. Seeger
Attorney, Agent, or Firm—J. Sanchelima

[**] Term: **14 Years**

[57] **CLAIM**

The ornamental design for a photo display and cassette storage, as shown and described.

[21] Appl. No.: **28,478**

[22] Filed: **Sep. 16, 1994**

DESCRIPTION

[52] U.S. Cl. **D6/300**; D6/308; D6/312; D6/407

FIG. 1 is a top view of the photo display and cassette storage;

[58] **Field of Search** D6/300-314, 407, D6/632; 40/152, 152.1, 152.2, 154-160

FIG. 2 is a front elevational view thereof;

FIG. 3 is a bottom view thereof;

FIG. 4 is a left side elevational view thereof;

FIG. 5 is a rear elevational view thereof;

FIG. 6 is a right side elevational view thereof; and,

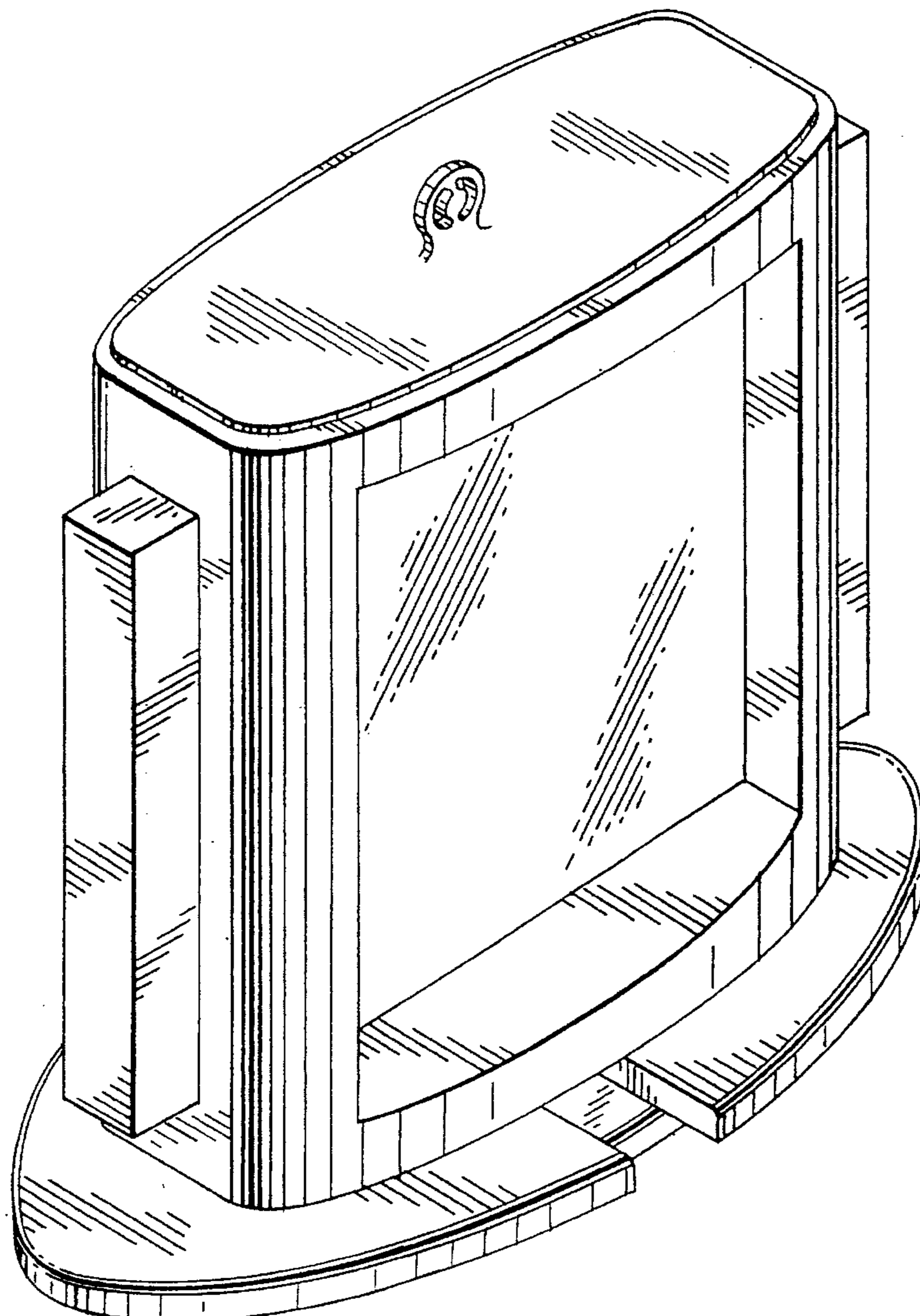
FIG. 7 is an isometric view thereof.

[56] **References Cited**

U.S. PATENT DOCUMENTS

- D. 228,422 9/1973 Stahl D6/308
- D. 248,525 7/1978 Eckel et al. D6/301
- D. 269,902 7/1983 Edwards D6/300

1 Claim, 3 Drawing Sheets



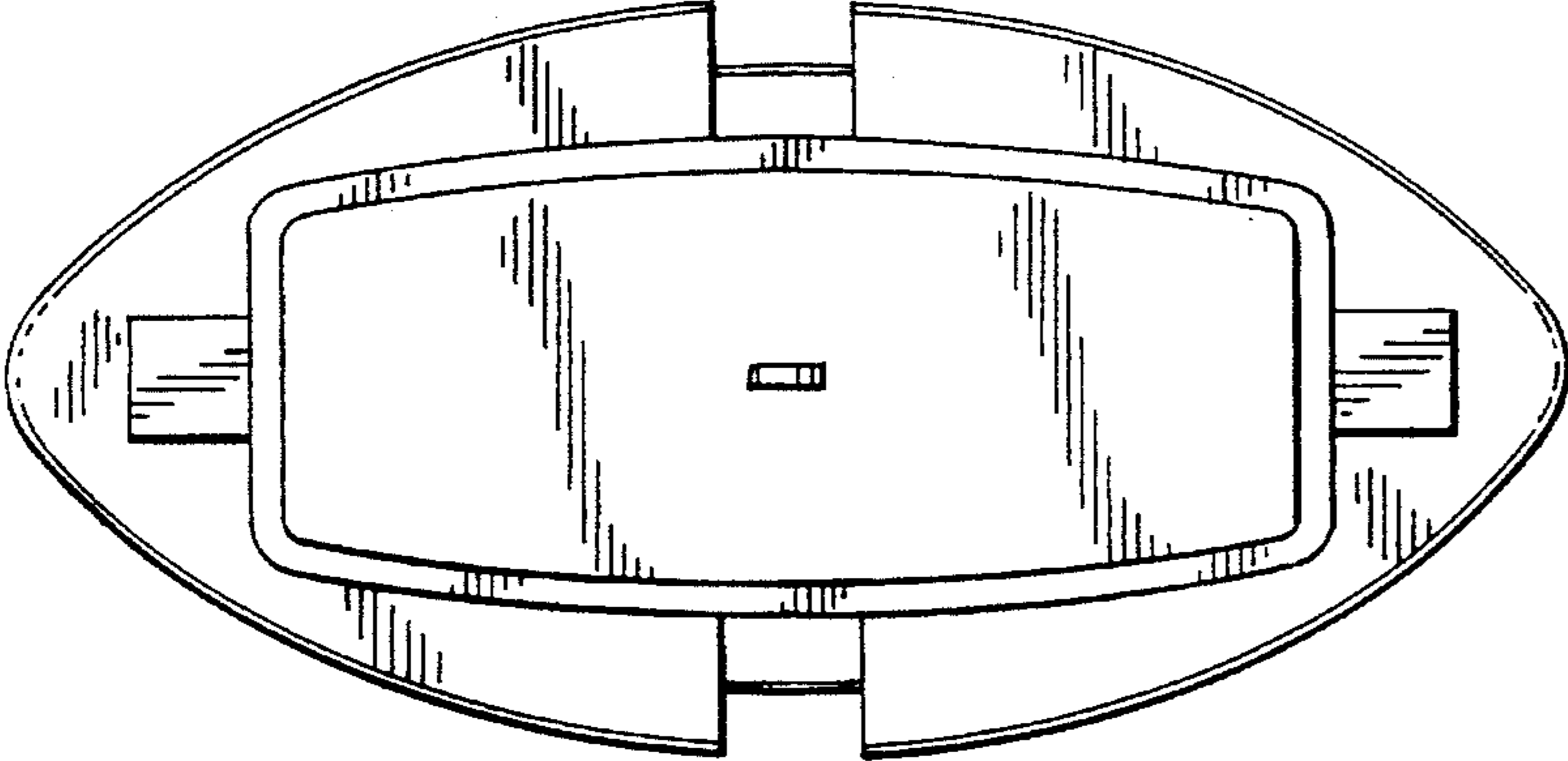


FIG. 1.

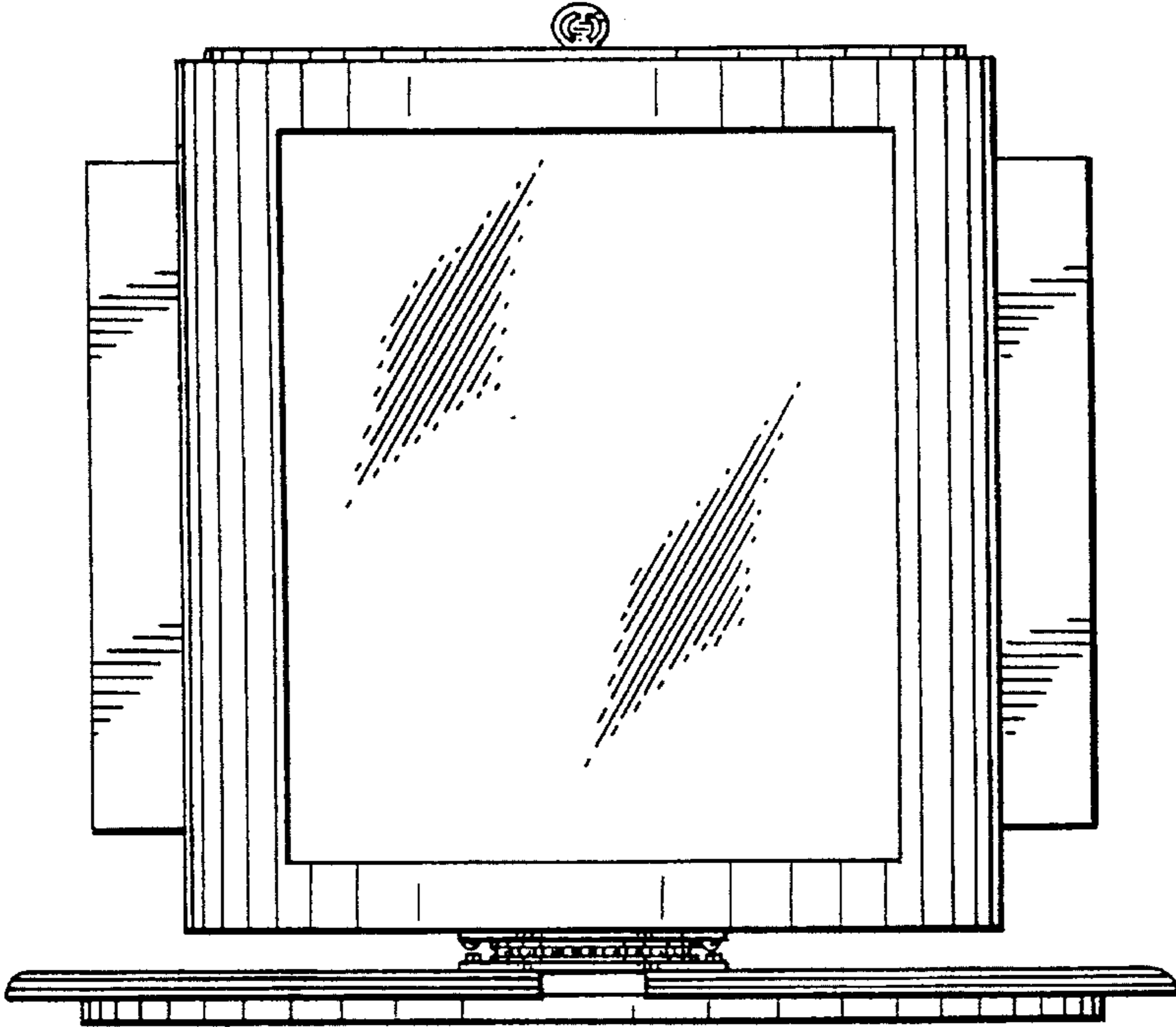


FIG. 2.

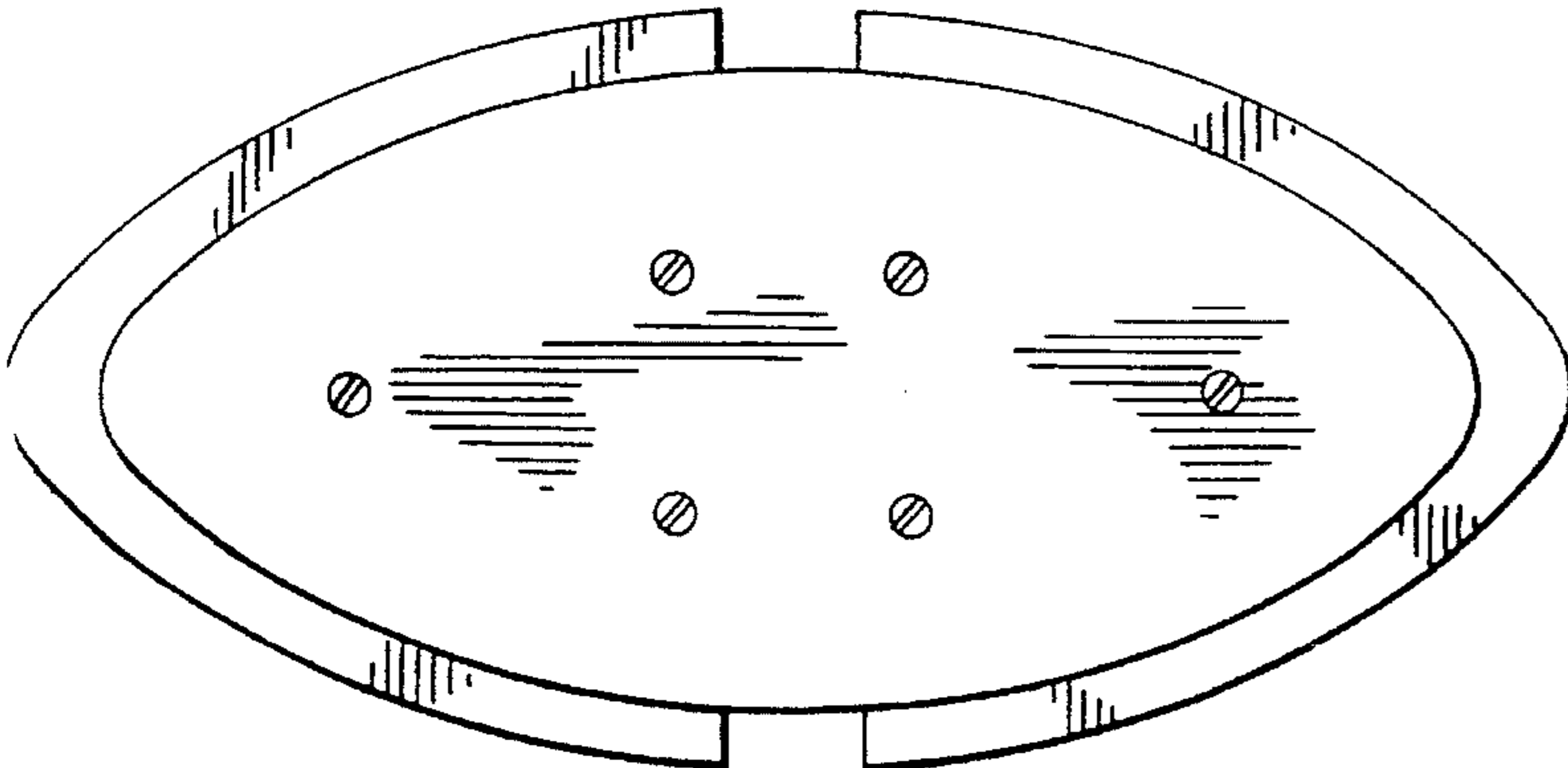


FIG. 3.

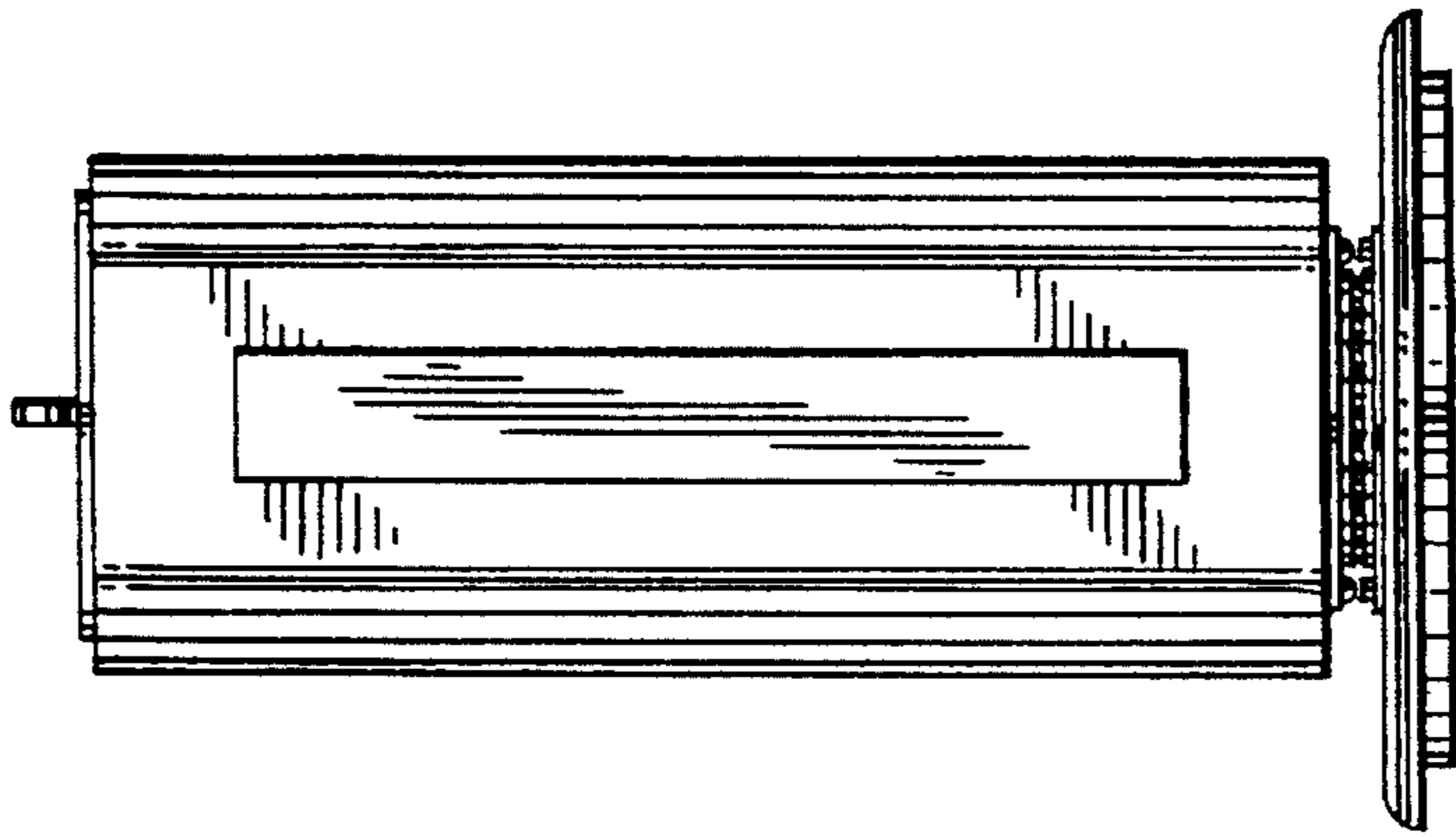


FIG. 6 -

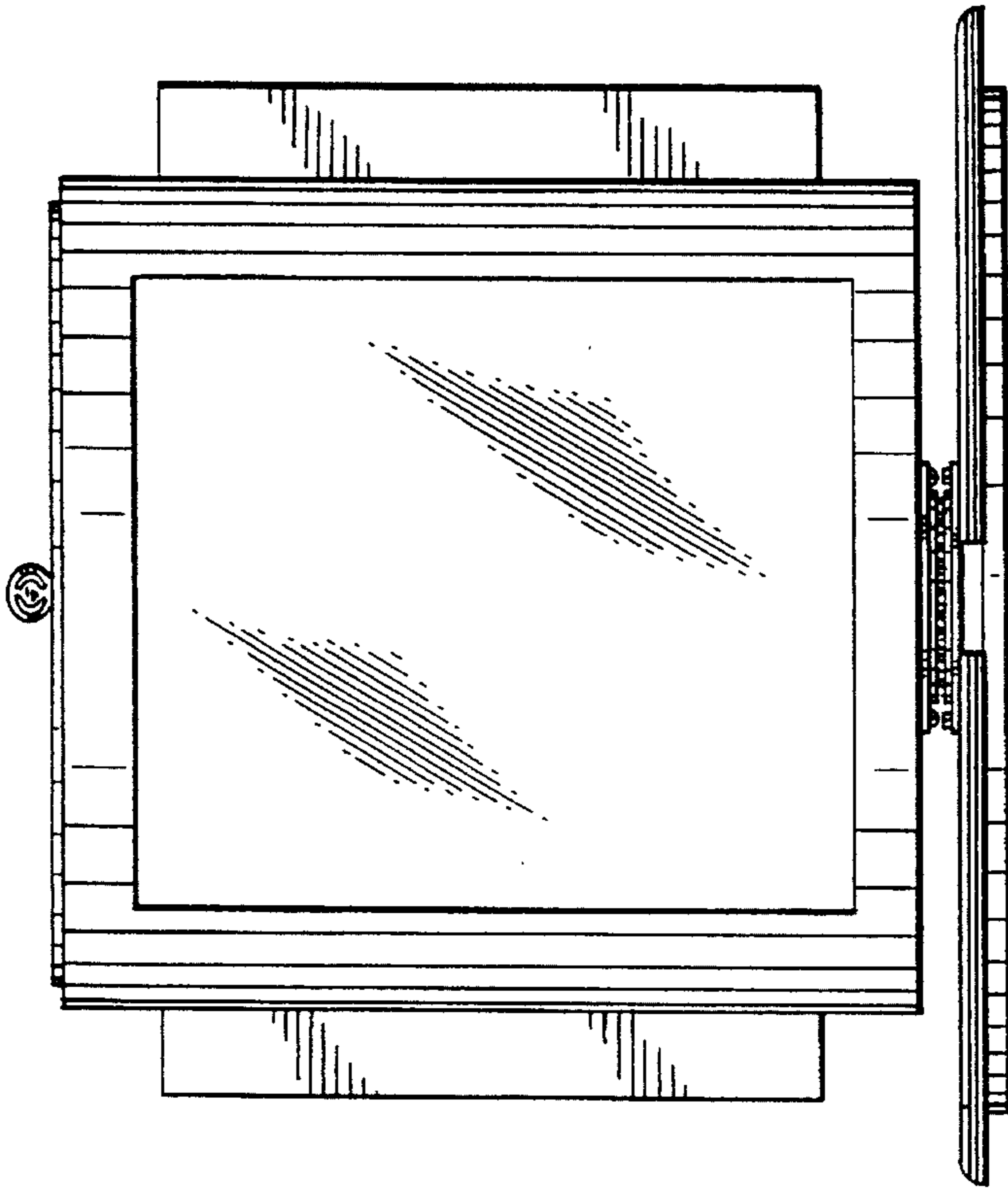


FIG. 5 -

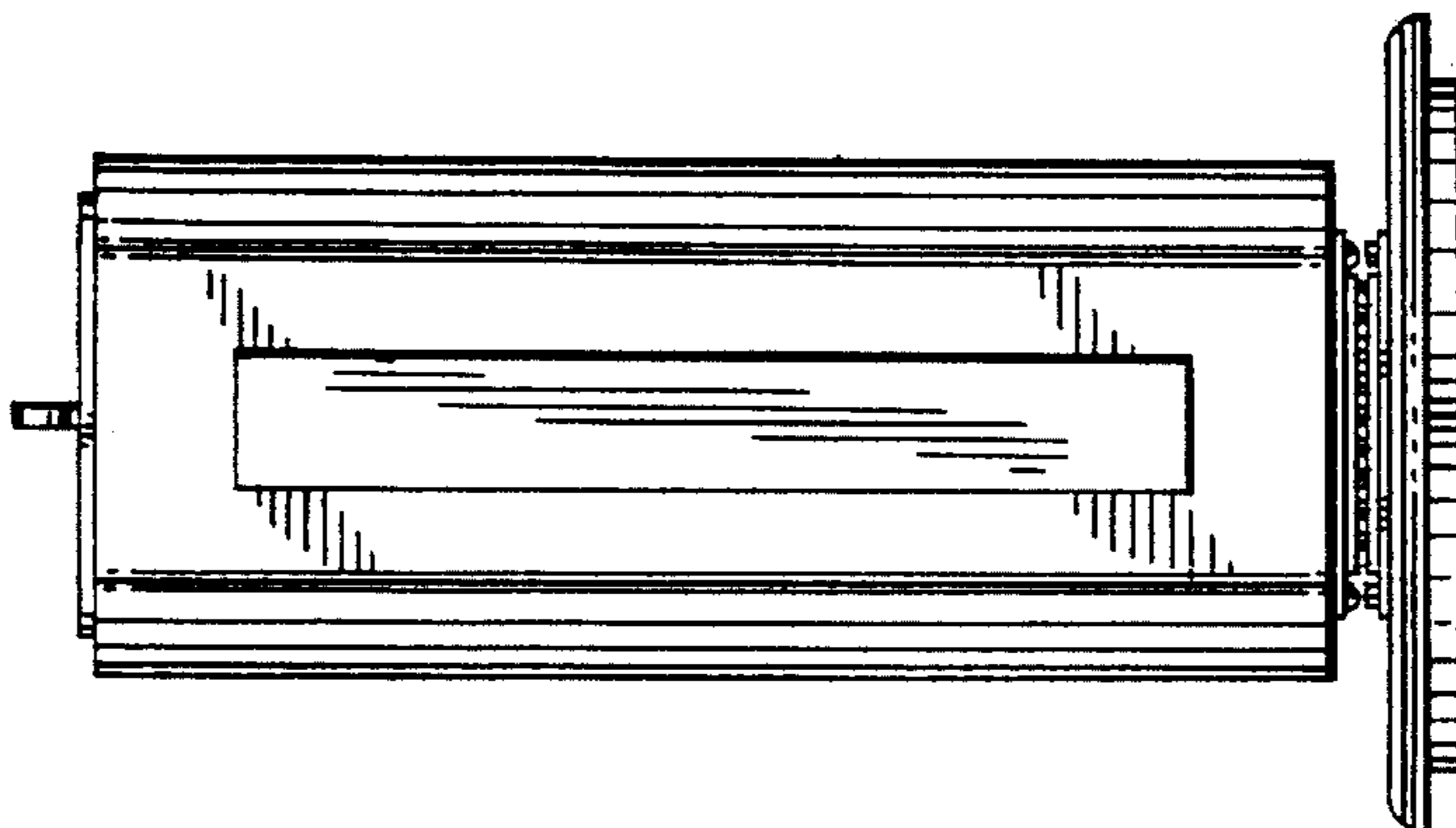


FIG. 4 -

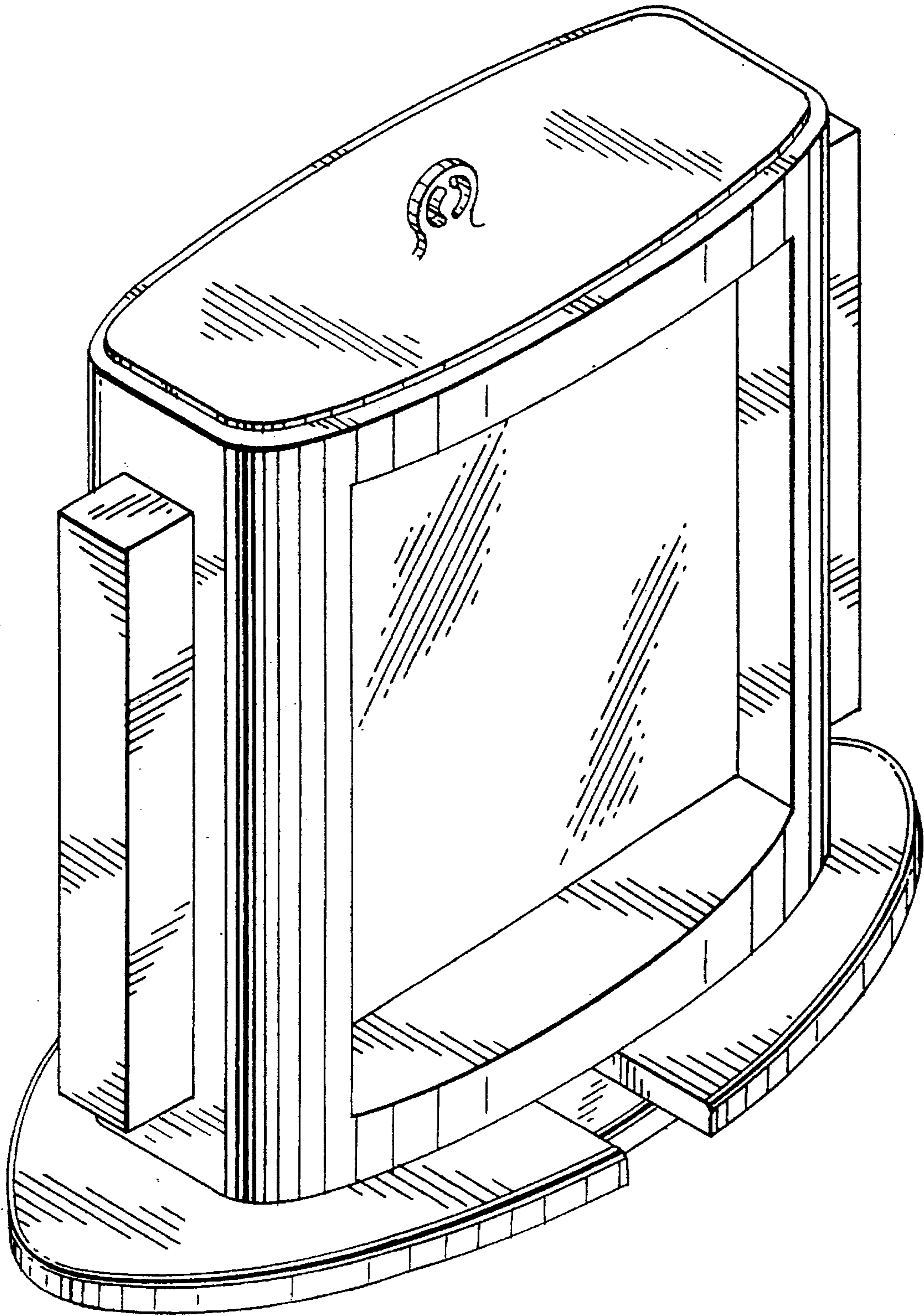


FIG. 7.