



US00D364961S

United States Patent [19]
Rehrig

[11] **Patent Number: Des. 364,961**
[45] **Date of Patent: **Dec. 12, 1995**

[54] **BASKET HANDLE UNIT**

[75] Inventor: **Houston Rehrig**, 8801 Mary Meade Ct., Potomac, Md. 20854

[73] Assignee: **Houston Rehrig**, Washington, D.C.

[**] Term: **14 Years**

[21] Appl. No.: **24,082**

[22] Filed: **Jun. 7, 1994**

[52] U.S. Cl. **D3/307**

[58] **Field of Search** D3/304, 307-312, D3/314; D8/300, 315, 320; D32/37; D9/424, 425, 427, 432, 443; 206/503-507, 510, 49 K; 217/125; 220/752, 755, 676, DIG. 12, DIG. 14; 292/DIG. 63; 186/26

[56] **References Cited**

U.S. PATENT DOCUMENTS

D. 290,179	6/1987	Peltola	D3/309
D. 326,552	5/1992	Goodell	D3/312
4,478,344	10/1984	Rehrig	220/676

FOREIGN PATENT DOCUMENTS

37-20200 8/1962 Japan .

OTHER PUBLICATIONS

"The Good Basket" brochure, pre-1990 (exact date unknown).

Primary Examiner—Terry A. Wallace

Assistant Examiner—Richelle Shelton
Attorney, Agent, or Firm—Banner & Allegretti, Ltd.

[57] **CLAIM**

The ornamental design for a basket handle unit, as shown and described.

DESCRIPTION

FIG. 1 is a top, left side perspective view of the basket handle unit showing my new design;

FIG. 2 is a right side elevational view thereof;

FIG. 3 is a top plan view thereof;

FIG. 4 is a bottom plan view thereof;

FIG. 5 is a front elevational view thereof;

FIG. 6 is a cross-sectional view thereof, taken along line 6-6 of FIG. 2;

FIG. 7 is a fragmentary bottom plan view thereof;

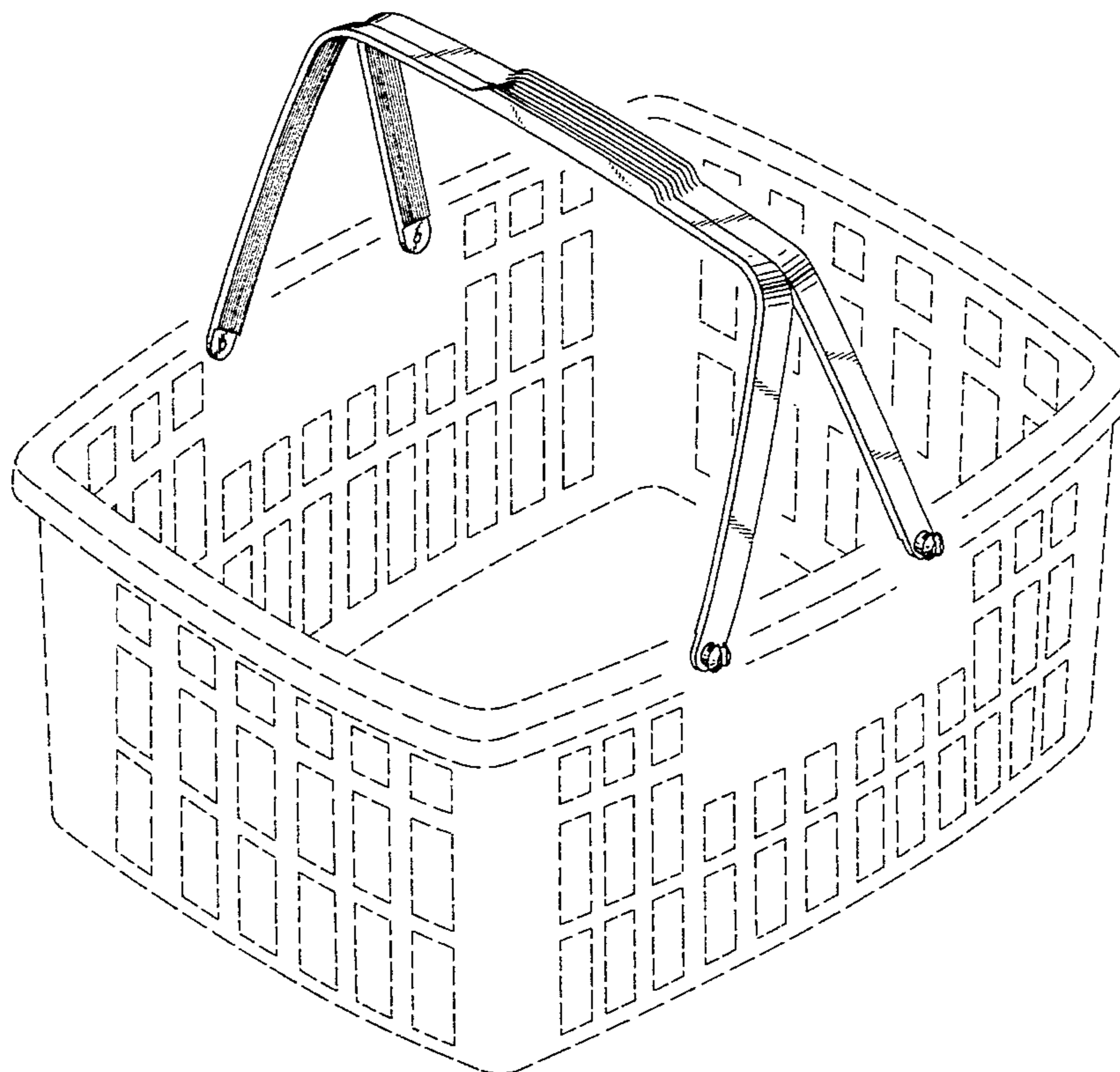
FIG. 8 is an enlarged cross-sectional view thereof, taken along line 8-8 of FIG. 2; and,

FIG. 9 is an enlarged cross-sectional view thereof, taken along line 9-9 of FIG. 7.

The broken line showing of the environmental structure of a basket handle unit is for illustrative purposes only and forms no part of the claimed design.

A single handle of a basket handle unit is disclosed in FIGS. 2-6 and 8 for clarity of illustration.

1 Claim, 3 Drawing Sheets



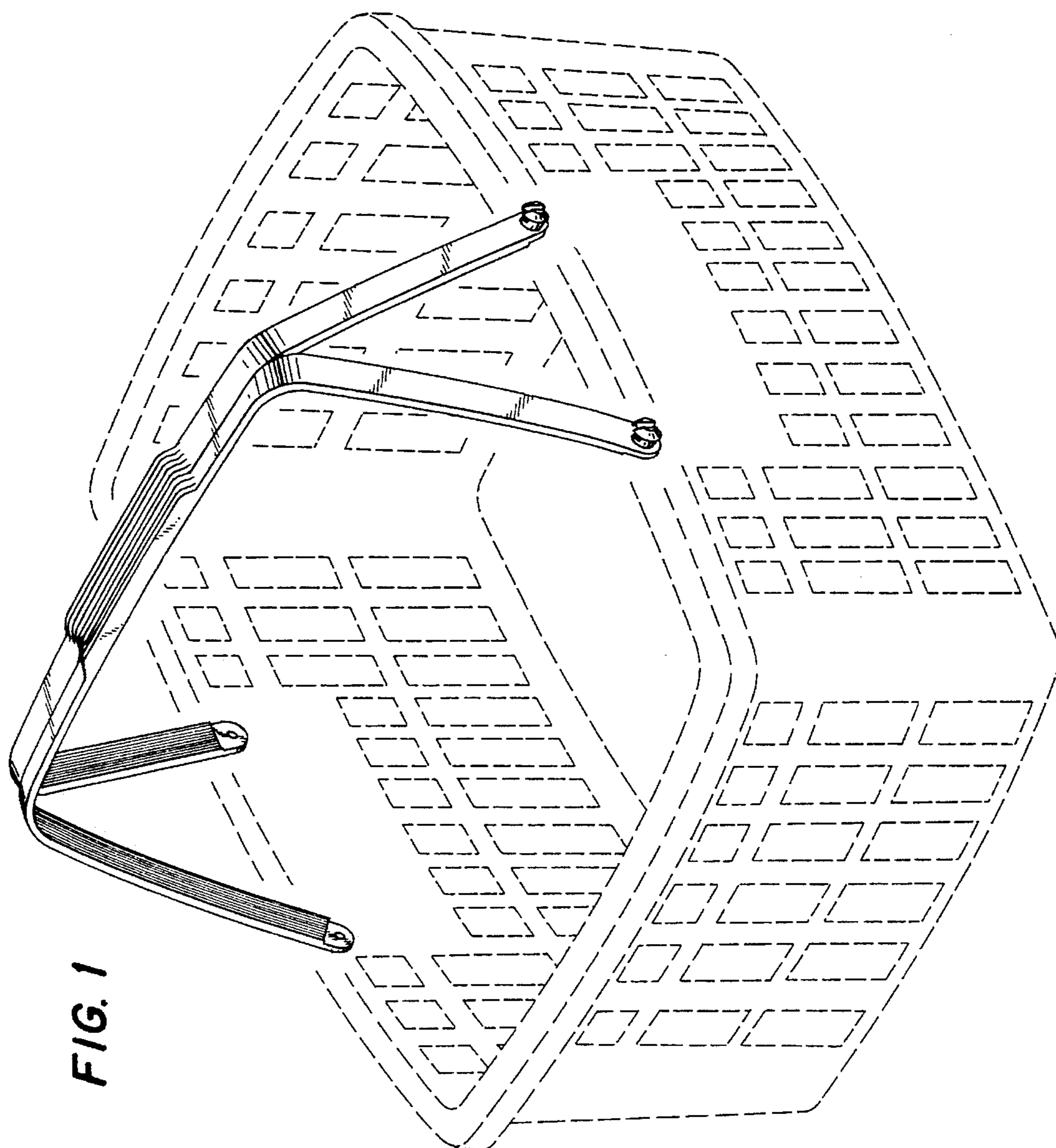


FIG. 1

FIG. 3

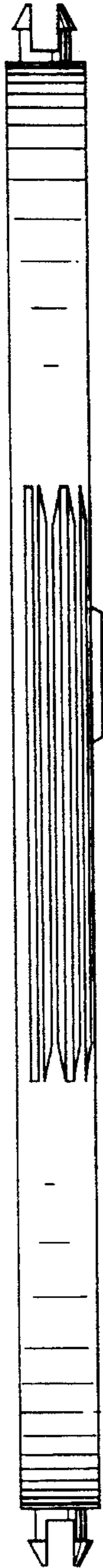


FIG. 2

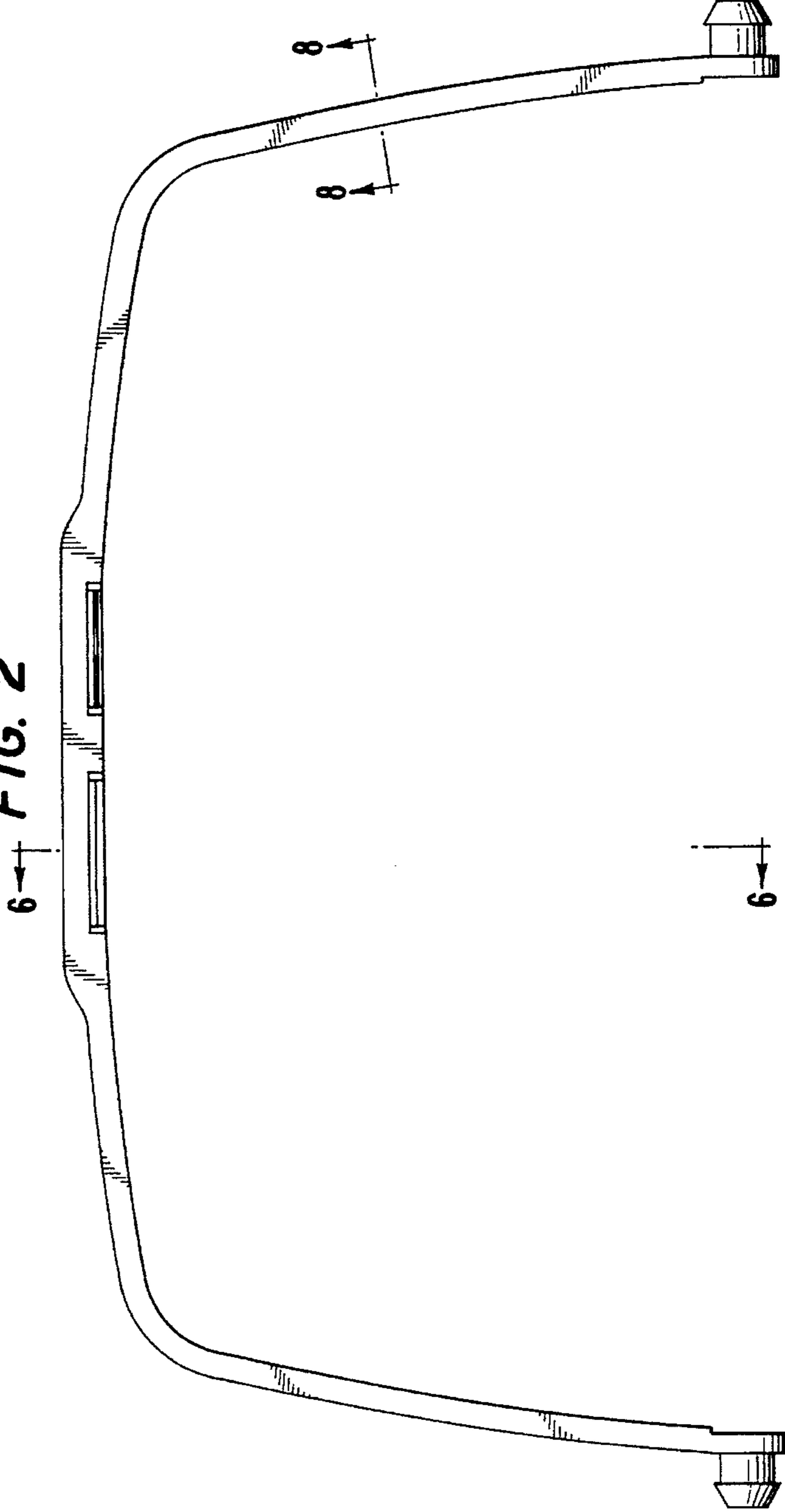


FIG. 4

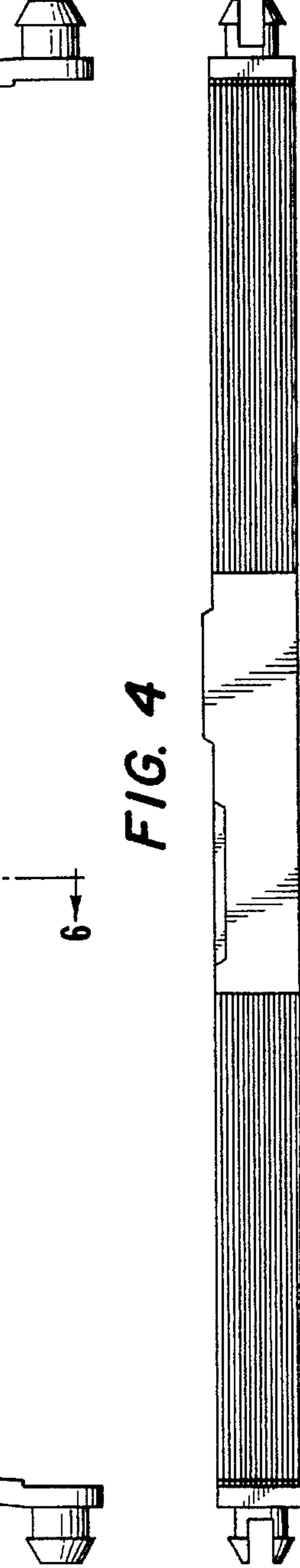


FIG. 5

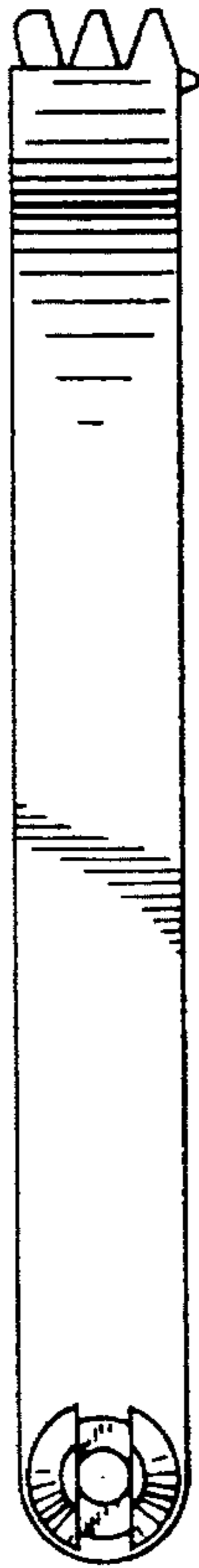


FIG. 6

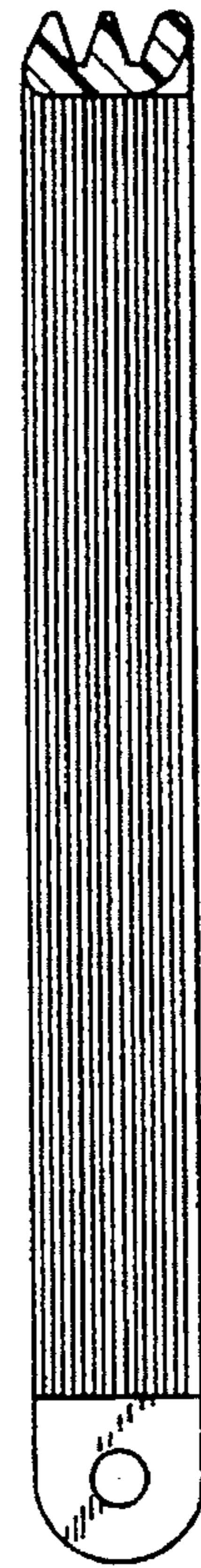


FIG. 7

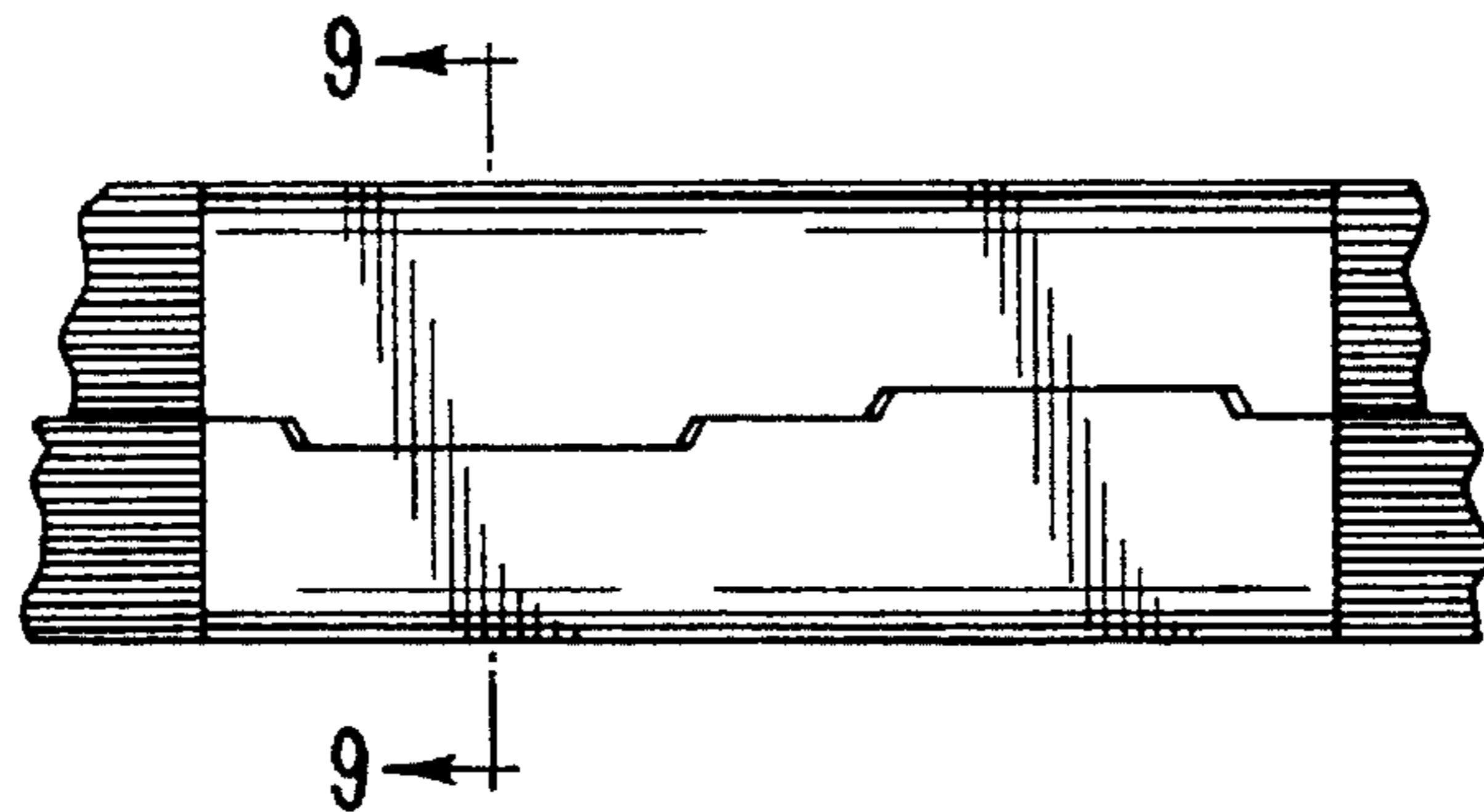


FIG. 8

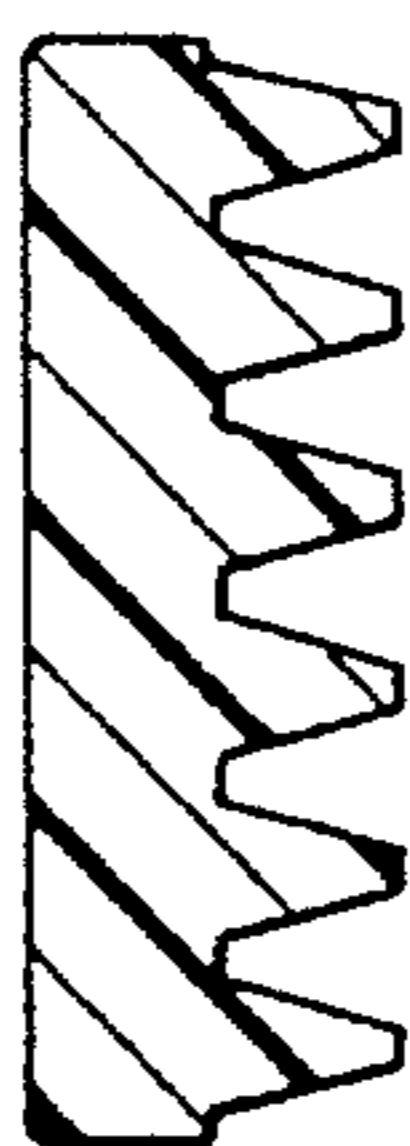


FIG. 9

