



US00D364958S

United States Patent [19]

[11] Patent Number: **Des. 364,958**

Chang

[45] Date of Patent: ****Dec. 12, 1995**

[54] **TOOL BOX**

4,319,683	3/1982	Correa, III	206/372
5,071,004	12/1991	Rivera	206/378
5,139,143	8/1992	Pond	206/373
5,152,441	10/1992	Torena	312/902

[76] Inventor: **Fu-Ping Chang**, No. 176, Hsiehfu Rd., Sanho Village, Taiya Hsiang, Taichung Hsien, Taiwan

Primary Examiner—Ted Shooman
Assistant Examiner—Philip Hyder
Attorney, Agent, or Firm—Morton J. Rosenberg; David I. Klein

[**] Term: **14 Years**

[21] Appl. No.: **29,390**

[57] CLAIM

[22] Filed: **Oct. 4, 1994**

The ornamental design for a tool box, as shown and described.

[52] U.S. Cl. **D3/276**; D3/905

[58] Field of Search D3/272, 273, 274, D3/275, 276, 282, 905; 206/372, 373, 378, 349, 523, 376; 312/200, 902

DESCRIPTION

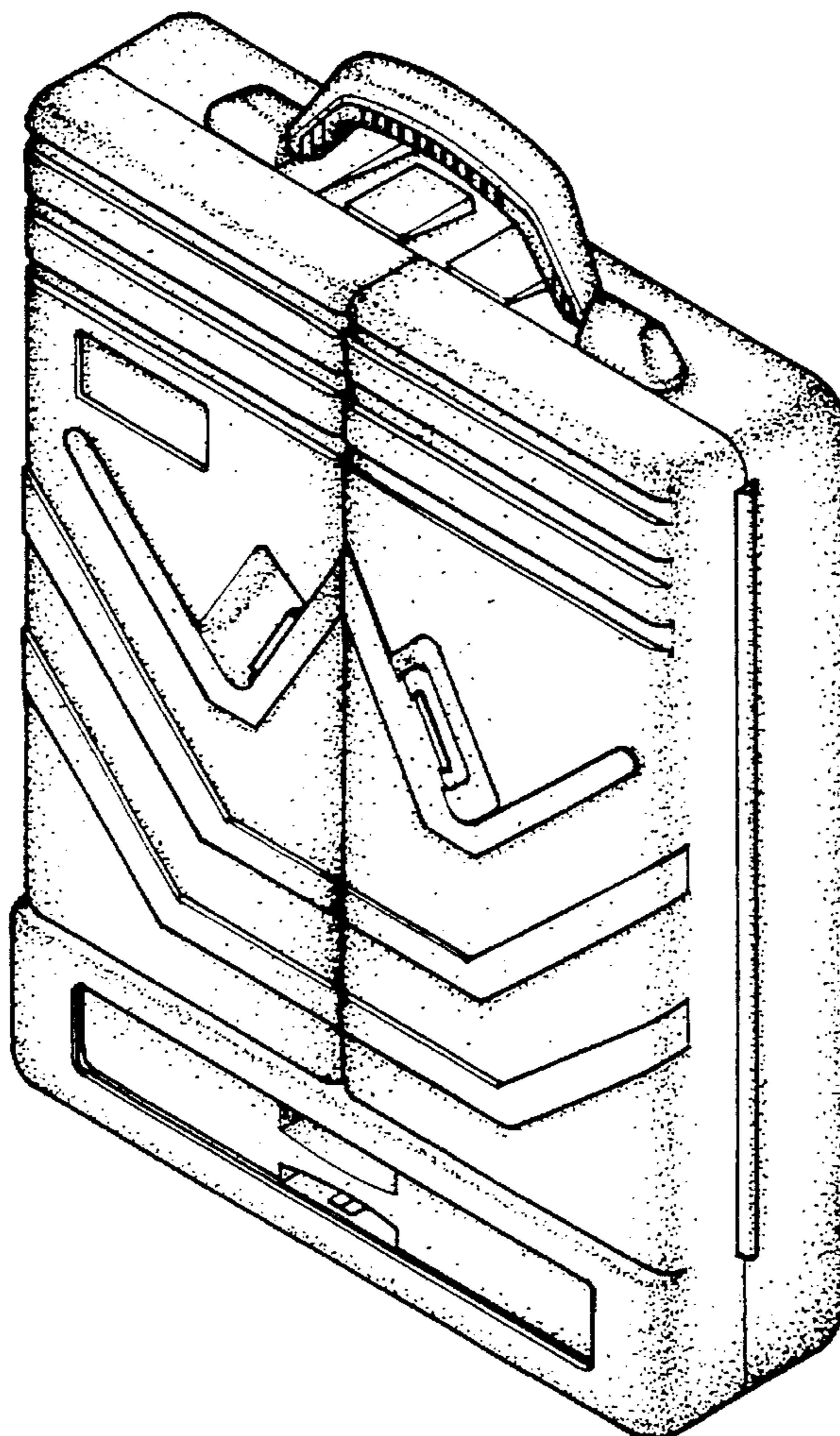
[56] References Cited

FIG. 1 is a front-right-top perspective view of a tool box showing my new design;
FIG. 2 is a front elevational view thereof;
FIG. 3 is a rear elevational view thereof;
FIG. 4 is a top plan view thereof;
FIG. 5 is a bottom plan view thereof; and,
FIG. 6 is a left elevational view thereof, the opposite side being a mirror image thereof.

U.S. PATENT DOCUMENTS

D. 308,750	6/1990	Hillinger	D3/905
D. 314,082	1/1991	Kime	D3/905
D. 318,367	7/1991	Chen	D3/905
D. 328,189	7/1992	Hillinger	D3/282
D. 328,390	8/1992	MacDonald et al.	D3/270
3,878,939	4/1975	Wilcox	206/373

1 Claim, 2 Drawing Sheets



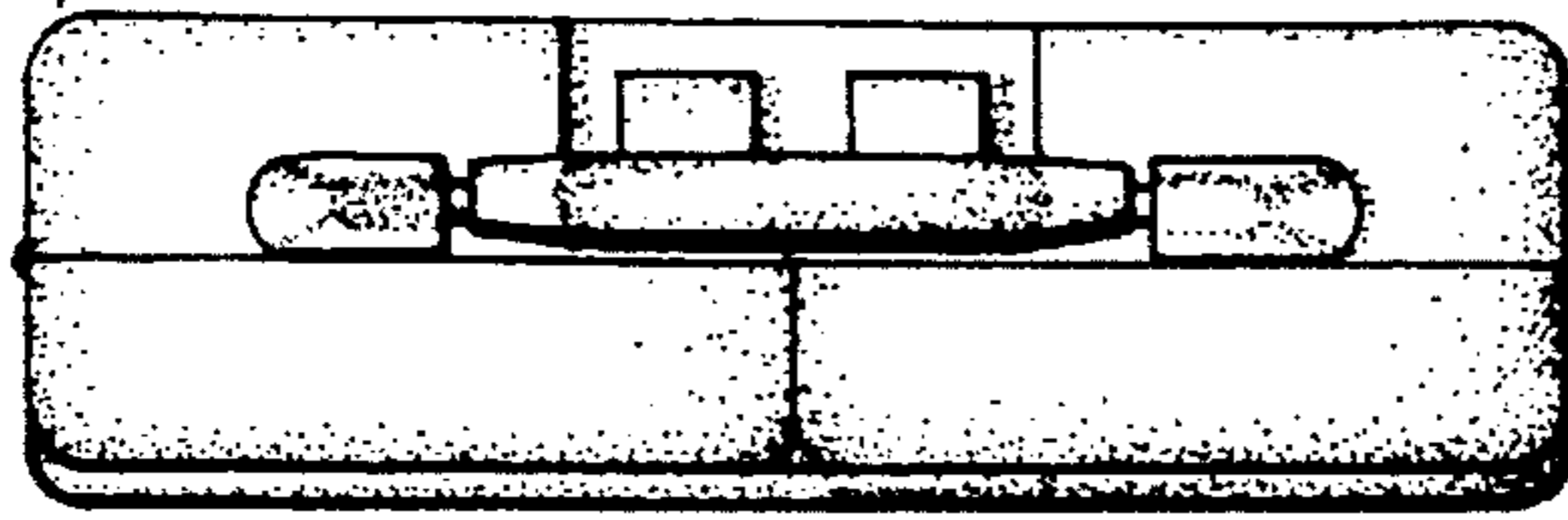


FIG. 4

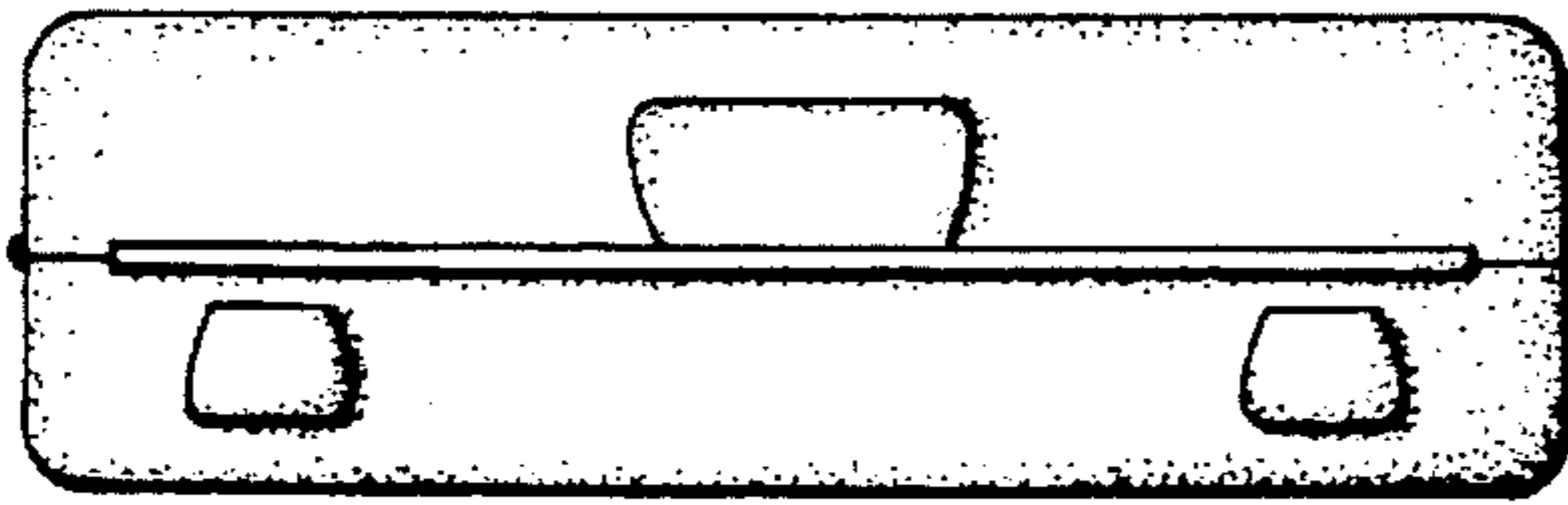


FIG. 5

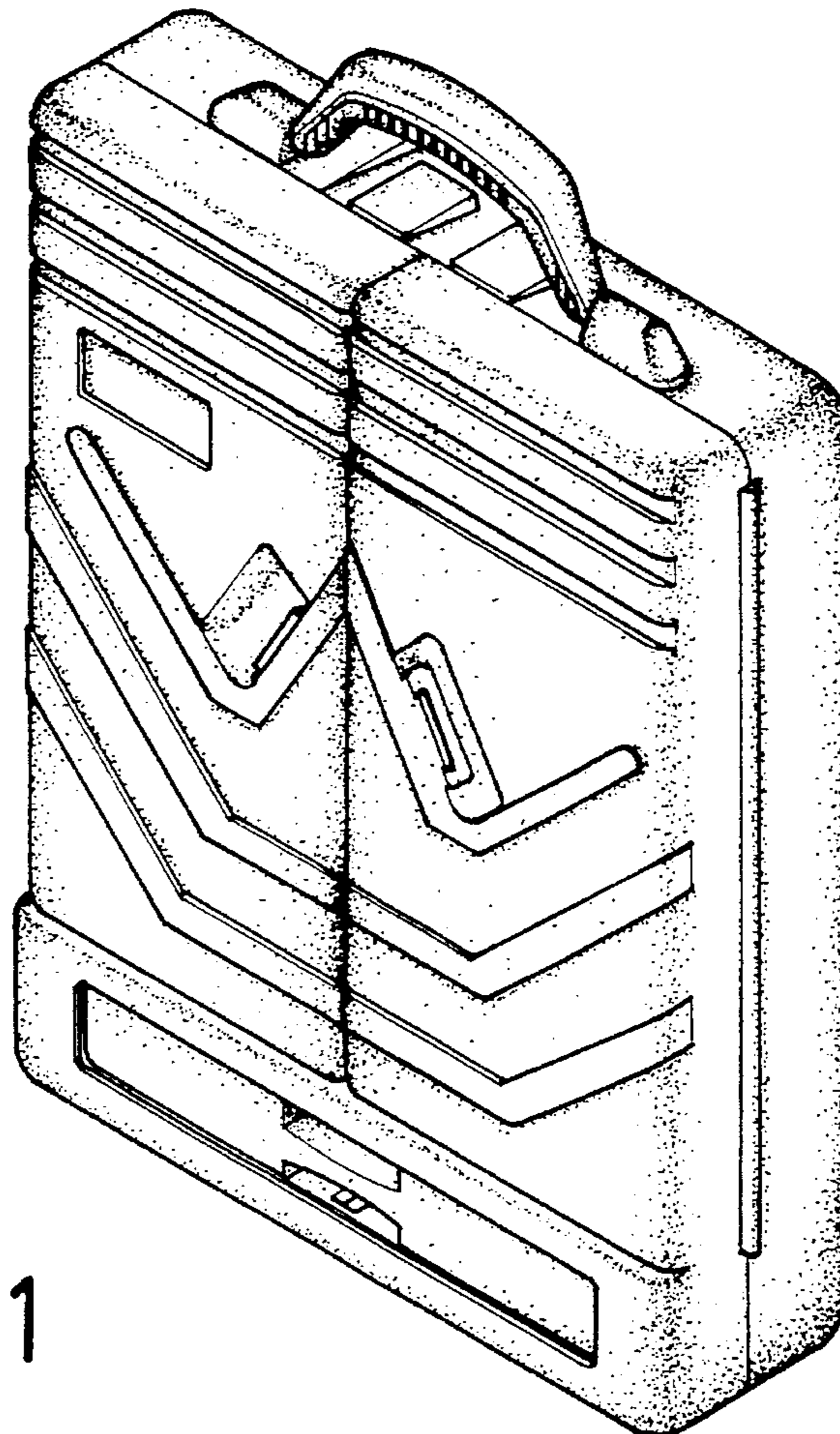


FIG. 1

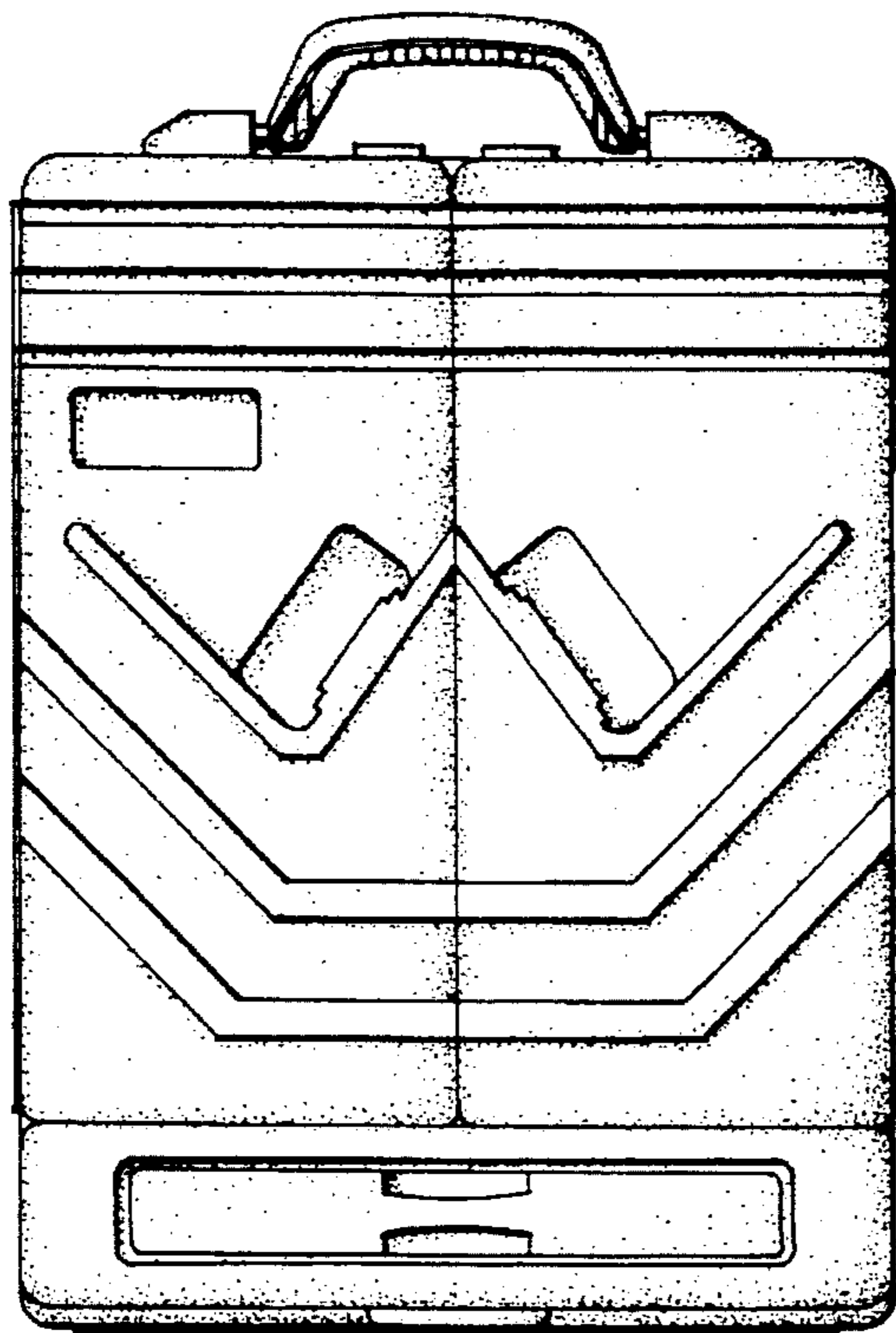


FIG. 2

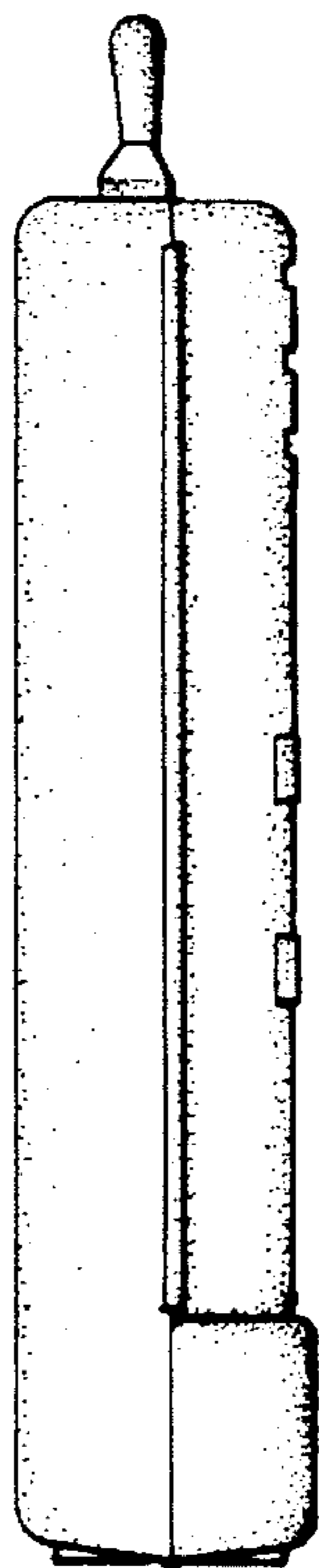


FIG. 6

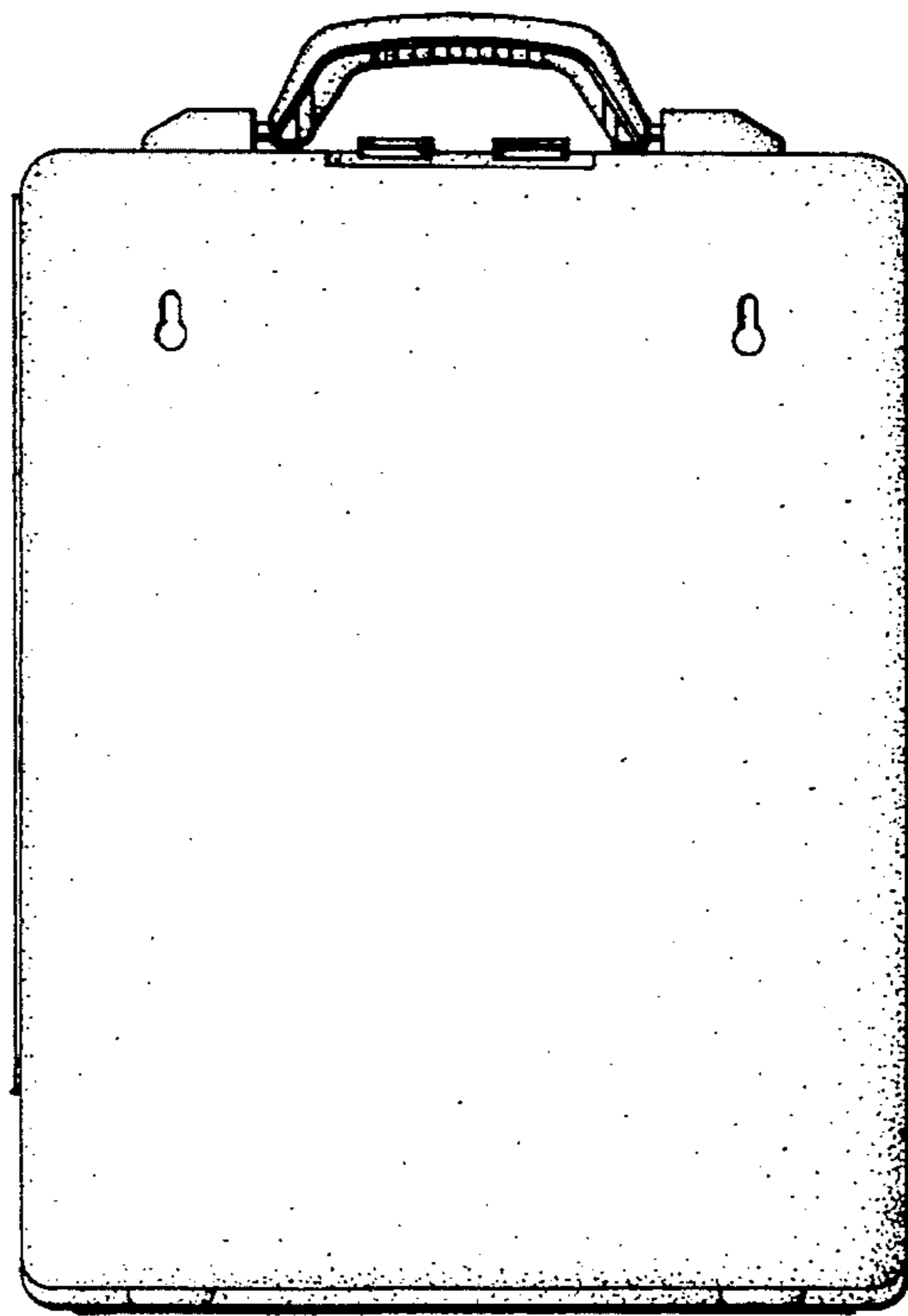


FIG. 3