



US00D364954S

# United States Patent [19]

Porter et al.

[11] Patent Number: **Des. 364,954**

[45] Date of Patent: **\*\*Dec. 12, 1995**

[54] **PERSONALIZED AND ILLUMINATED SHOE HEEL PORTION**

[76] Inventors: **Preston E. Porter**, 3382 Knighton Ridge, Powder Springs, Ga. 30073;  
**Wanda M. Jones**, 1303 Summer Way, Dunwoody, Ga. 30350

[\*\*] Term: **14 Years**

[21] Appl. No.: **15,214**

[22] Filed: **Nov. 9, 1993**

[52] U.S. Cl. .... **D2/946**

[58] **Field of Search** ..... D2/909, 896, 902, D2/905, 915, 946, 972, 976, 977; 36/45, 34 R, 72 R, 72 B, 89, 114, 132, 136, 137

[56] **References Cited**

**U.S. PATENT DOCUMENTS**

D. 277,616 2/1985 Gamm ..... D2/905

**FOREIGN PATENT DOCUMENTS**

2250268 5/1975 France ..... 36/72 B

*Primary Examiner*—Doris V. Coles  
*Attorney, Agent, or Firm*—Louis T. Isaf; James A. Wither-  
spoon

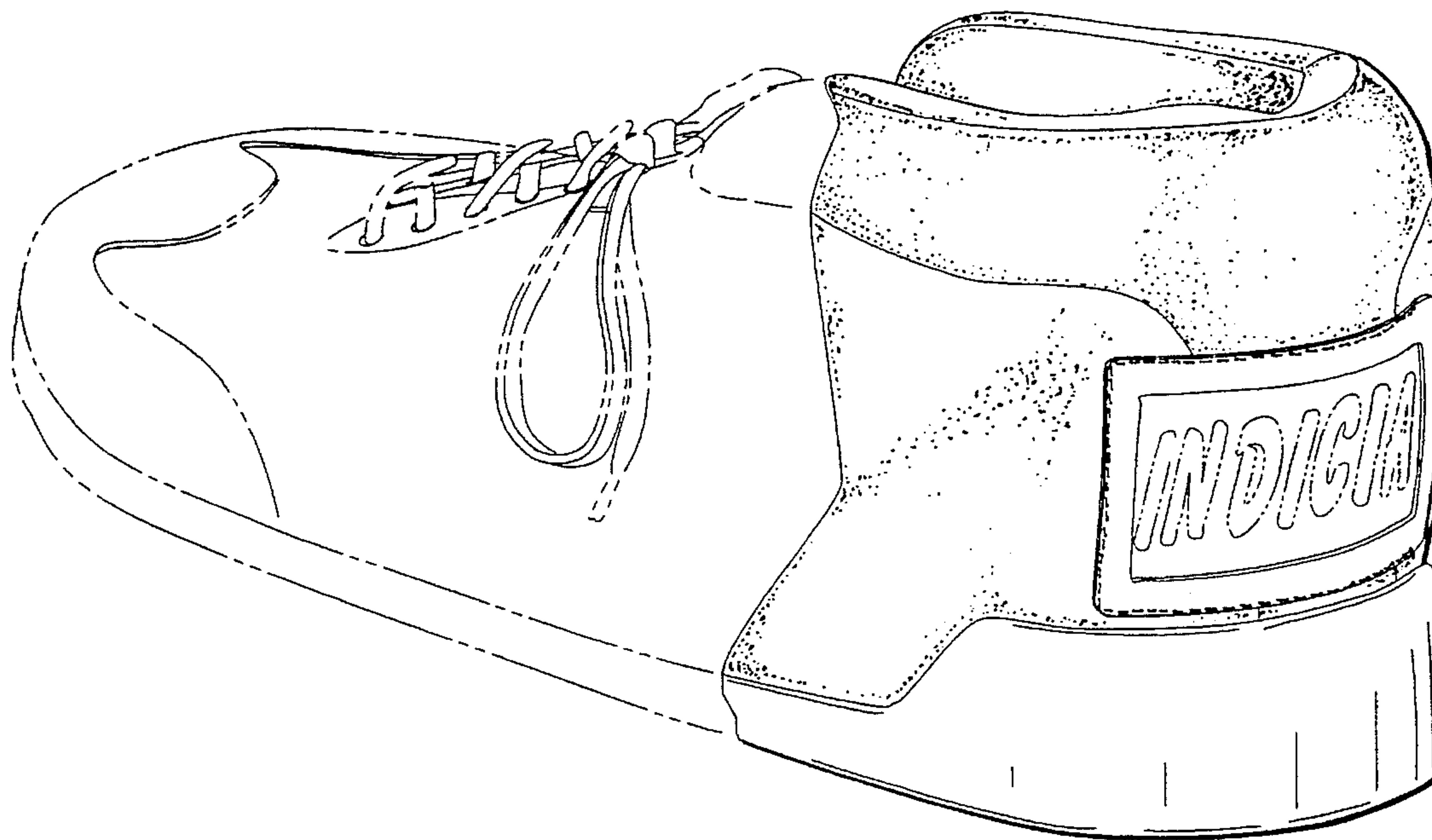
[57] **CLAIM**

The ornamental design for a personalized and illuminated shoe heel portion, as shown and described.

**DESCRIPTION**

FIG. 1 is a perspective view of a personalized and illuminated shoe heel portion, showing our new design; FIG. 2 is a rear elevational view thereof; FIG. 3 is a top plan view thereof; FIG. 4 is a left side elevational view thereof; FIG. 5 is a right side elevational view thereof; FIG. 6 is a rear perspective view with the indicia lable removed; and, FIG. 7 is another rear perspective view thereof, exposing the illumination means.  
The broken line showing of environment in FIGS. 1, 2, 4-7 is for illustrative purposes only and forms no part of the claimed design.

**1 Claim, 3 Drawing Sheets**



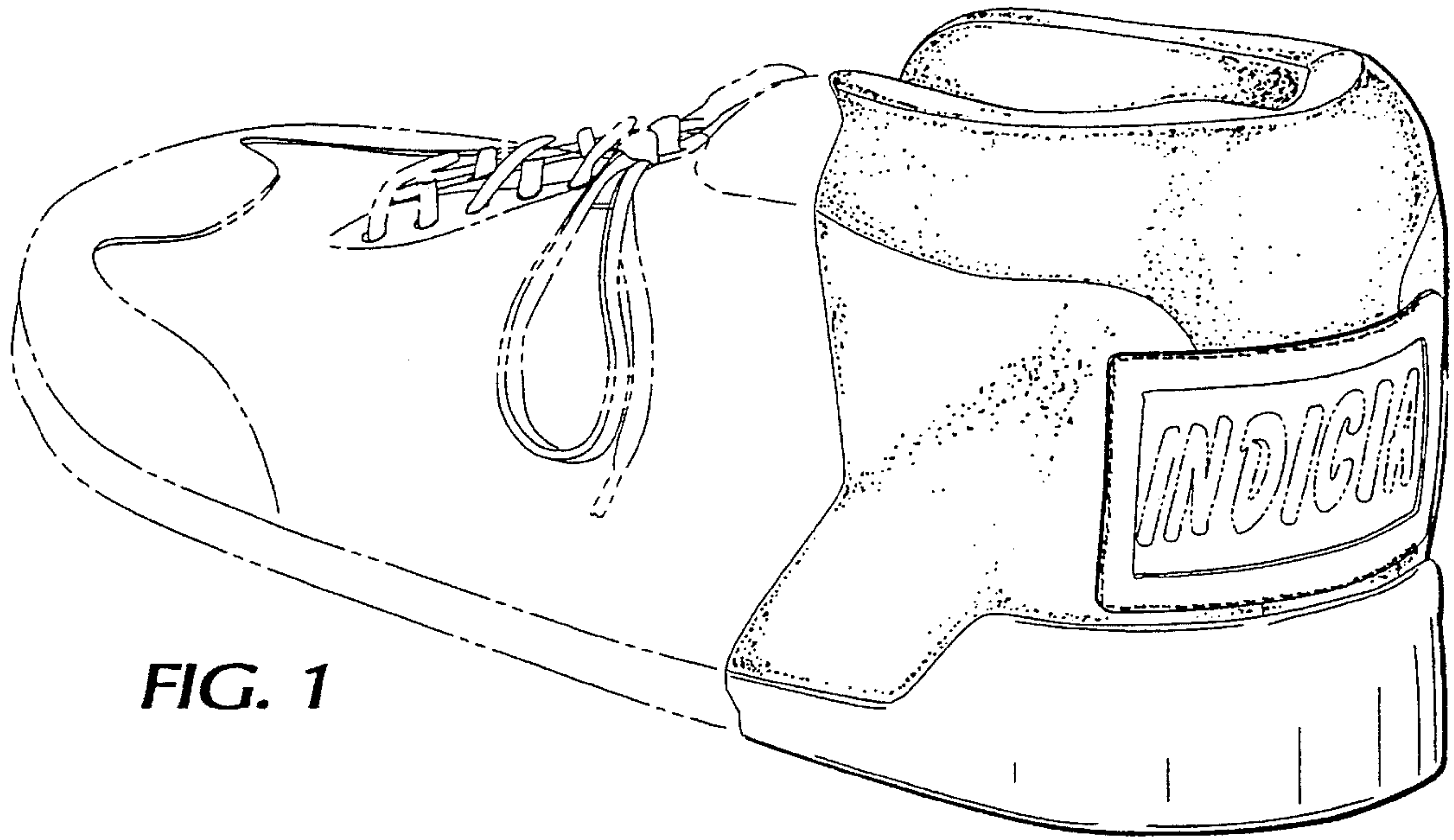


FIG. 1

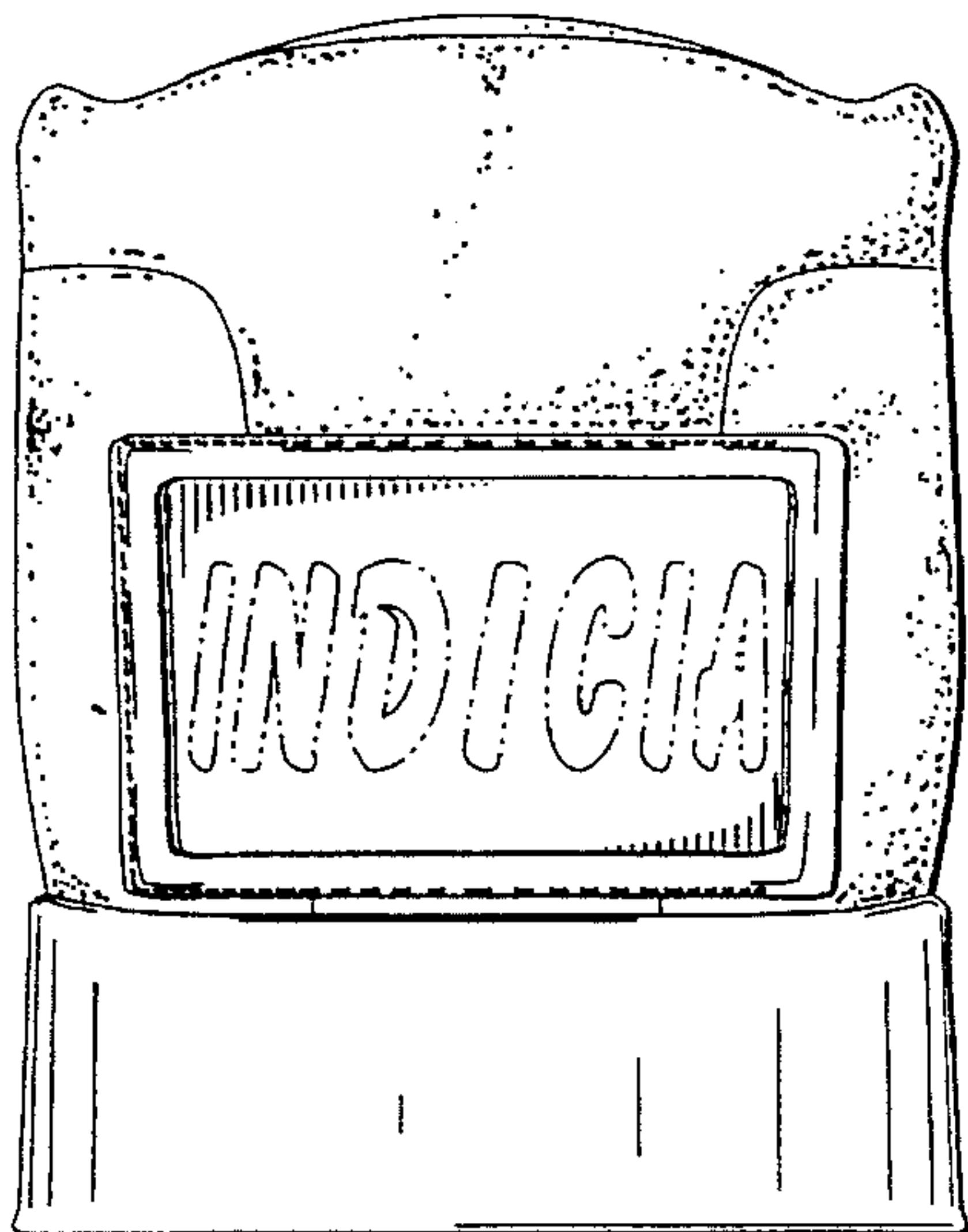


FIG. 2

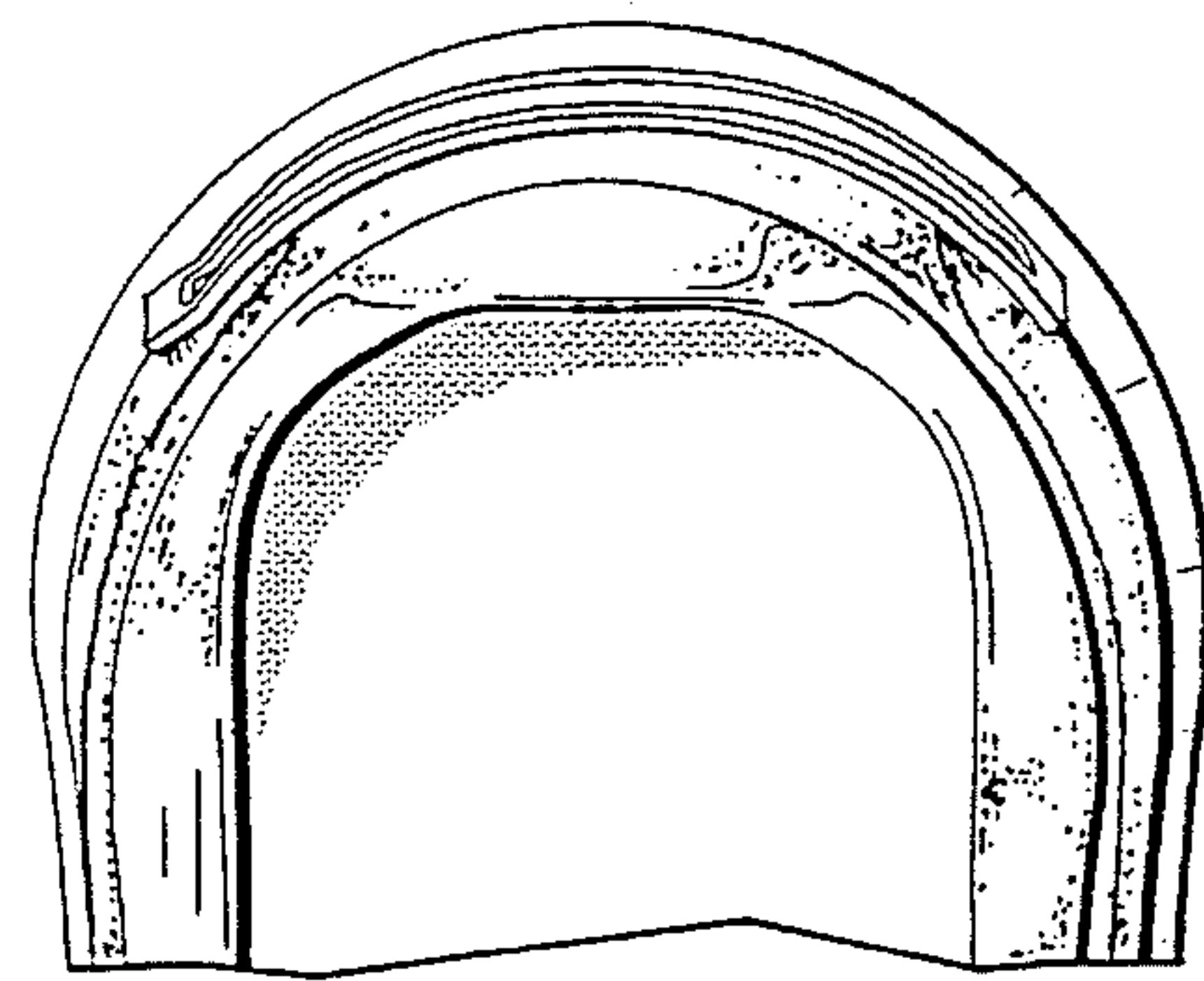


FIG. 3

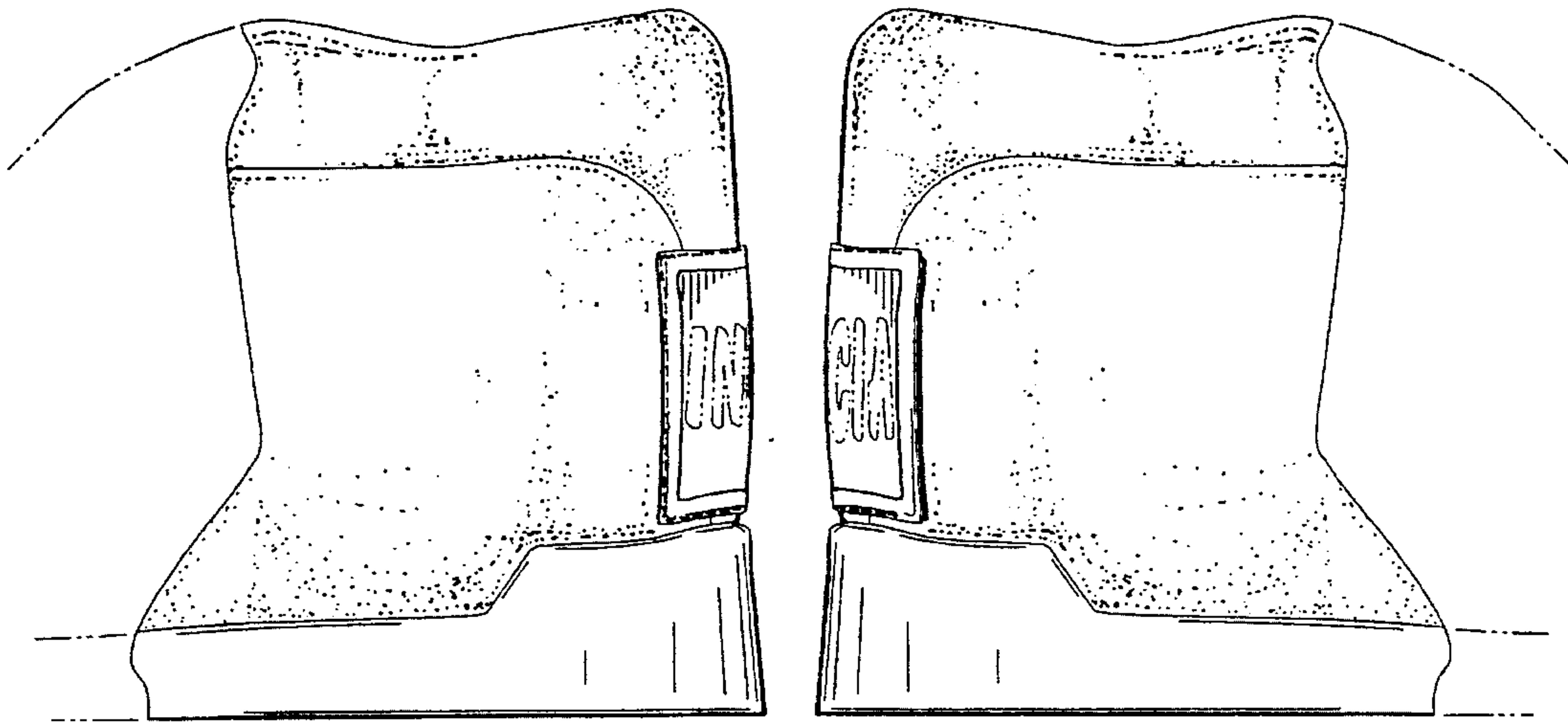


FIG. 4

FIG. 5

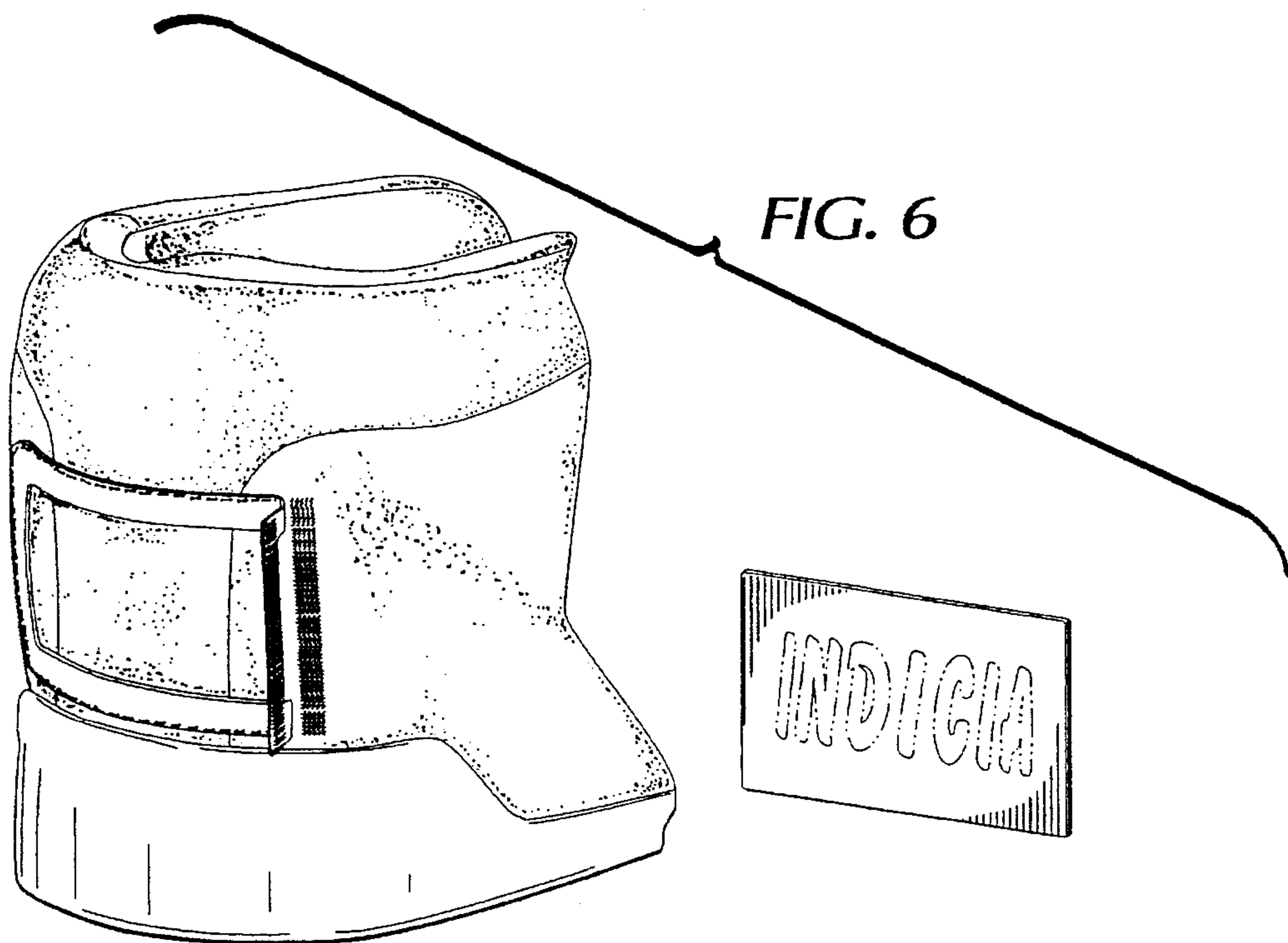


FIG. 6

