



US00D364949S

United States Patent [19] Birch

[11] **Patent Number:** **Des. 364,949**
[45] **Date of Patent:** ****Dec. 5, 1995**

[54] **COMBINED PAINT CAN RIM AND BRUSH HOLDER**

Assistant Examiner—Robin V. Taylor
Attorney, Agent, or Firm—Salzman & Levy

[75] **Inventor:** **Richard A. Birch**, 2475 Rte. 7,
Harpursville, N.Y. 13787

[57] **CLAIM**

The ornamental design for a combined paint can rim and brush holder, as shown and described.

[73] **Assignees:** **Richard A. Birch**, Harpursville; **Daniel Rowley**, Chenango Forks; **Kevin Winters**, Binghamton, all of N.Y.

DESCRIPTION

[**] **Term:** **14 Years**

FIG. 1 is a perspective view of the combined paint can rim and brush holder of the invention;
FIG. 2 is a top plan view of the combined paint can rim and brush holder of the invention;
FIG. 3 is a side plan view of the combined paint can rim and brush holder of the invention;
FIG. 4 is a front plan view of the combined paint can rim and brush holder of the invention;
FIG. 5 is a bottom plan view of the combined paint can rim and brush holder of the invention;
FIG. 6 is a rear plan view of the combined paint can rim and brush holder of the invention; and,
FIG. 7 is a perspective view of the combined paint can rim and brush holder of the invention in place on a paint can and holding a paint brush.

[21] **Appl. No.:** **31,656**

[22] **Filed:** **Dec. 2, 1994**

[52] **U.S. Cl.** **D32/54**

[58] **Field of Search** D32/53, 53.1,
D32/54; 15/260, 262, 264; 220/697-702;
D9/434, 436; D8/371, 373, 395; 211/65;
248/110, 113; 206/209

The broken line showing of a paint can and paint brush is for illustrative purposes only and forms no part of the claimed design.

[56] **References Cited**

U.S. PATENT DOCUMENTS

D. 212,934	12/1968	Cortina	D32/54
3,729,158	4/1973	Nagy	248/110
4,116,332	9/1978	Hartley	220/699

Primary Examiner—A. Hugo Word

1 Claim, 5 Drawing Sheets

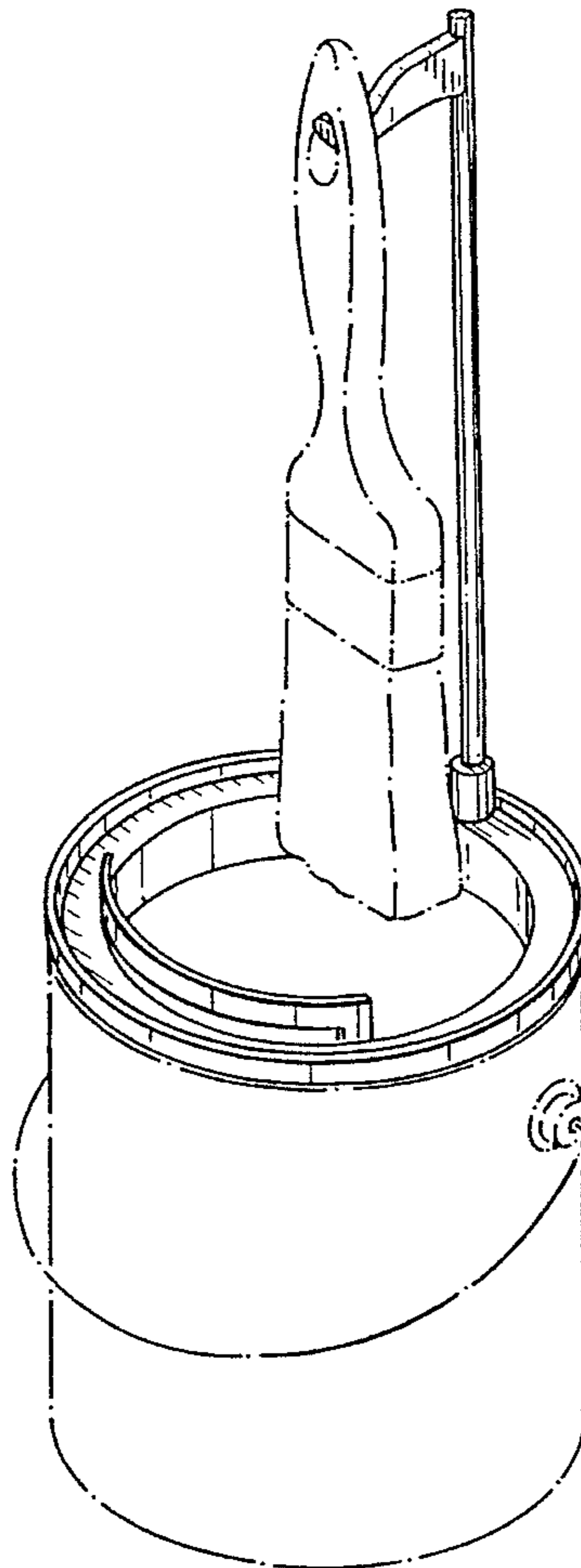


FIG. 1

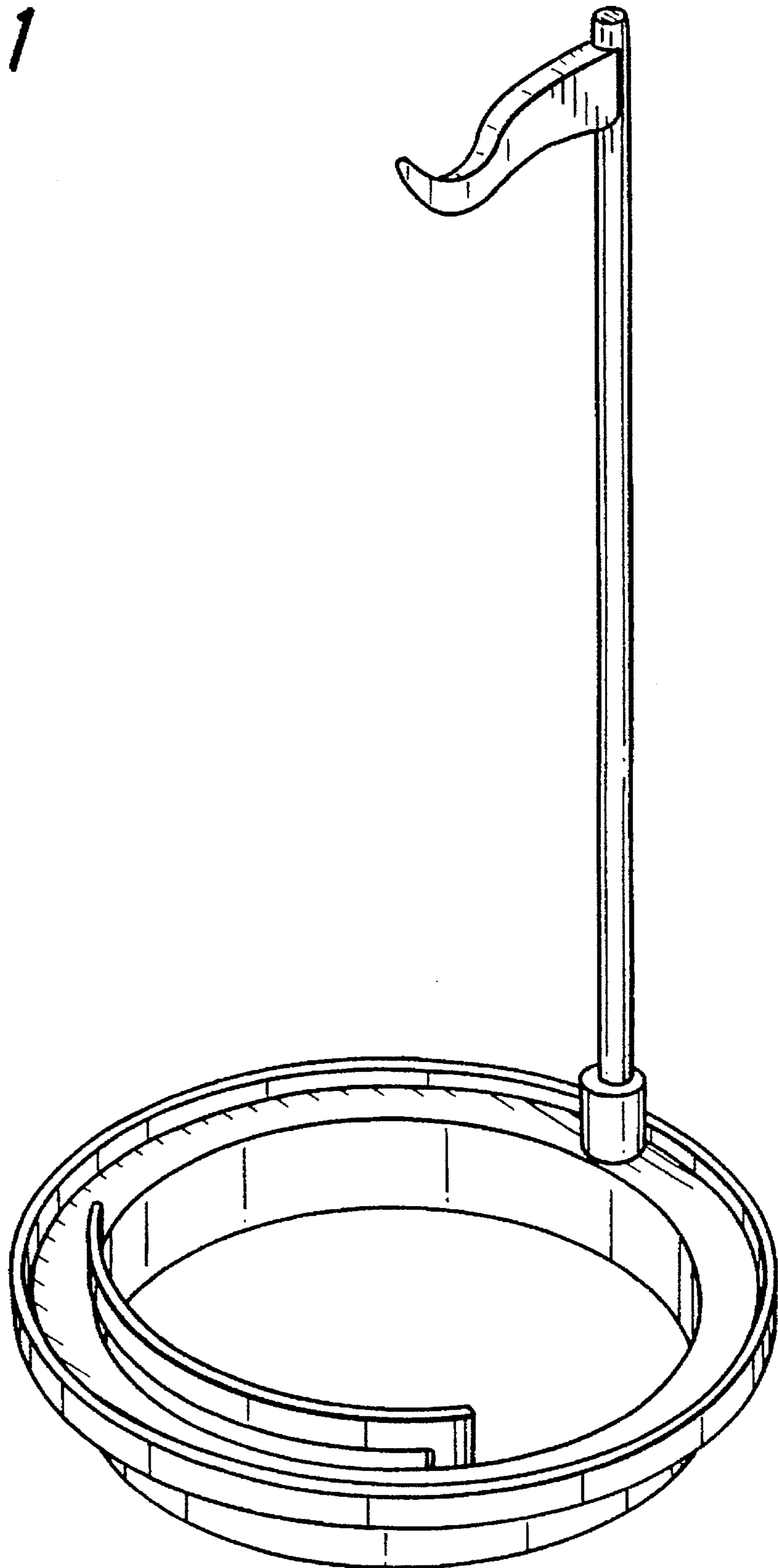


FIG. 2

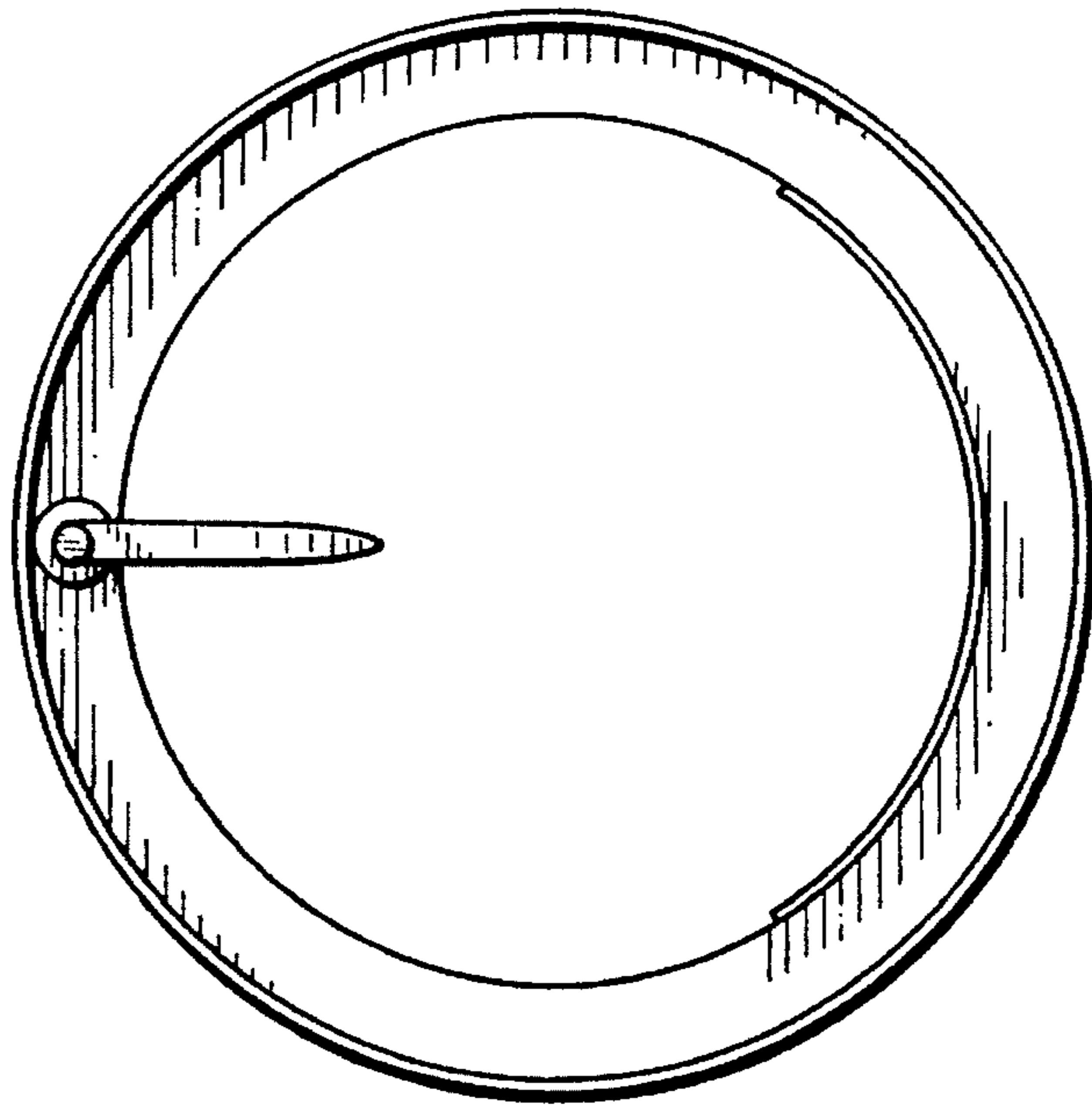


FIG. 3

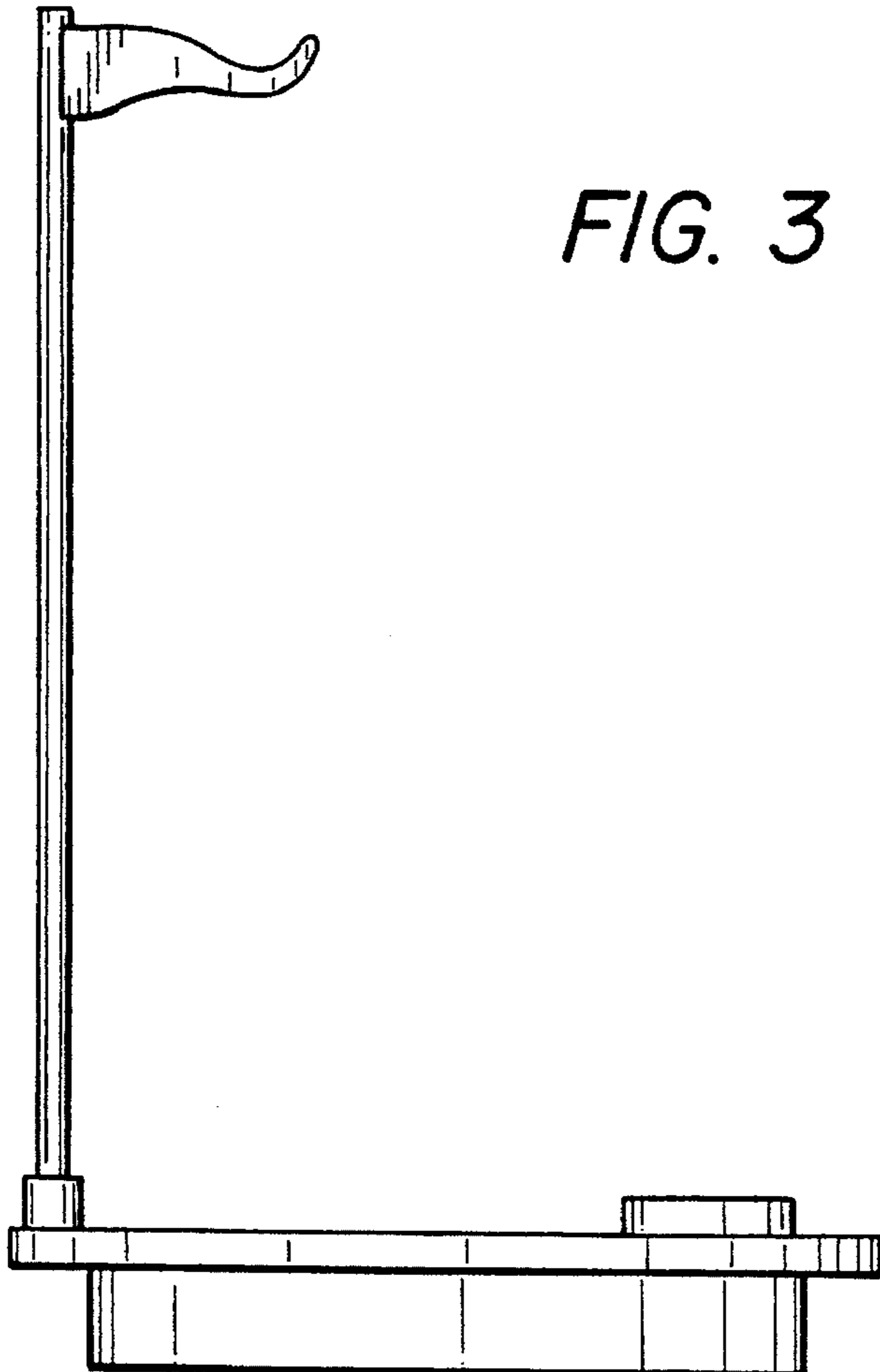


FIG. 4

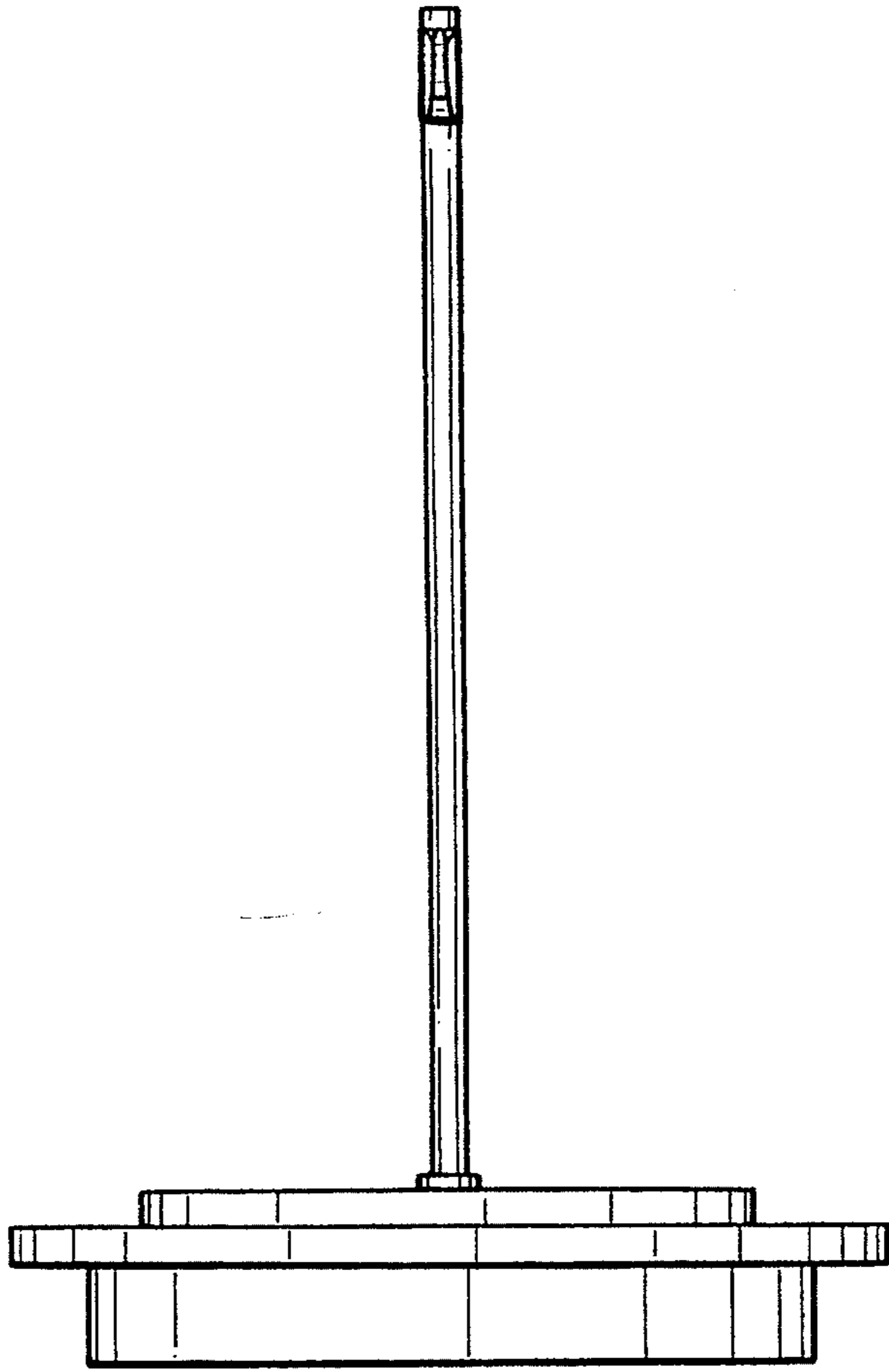


FIG. 5

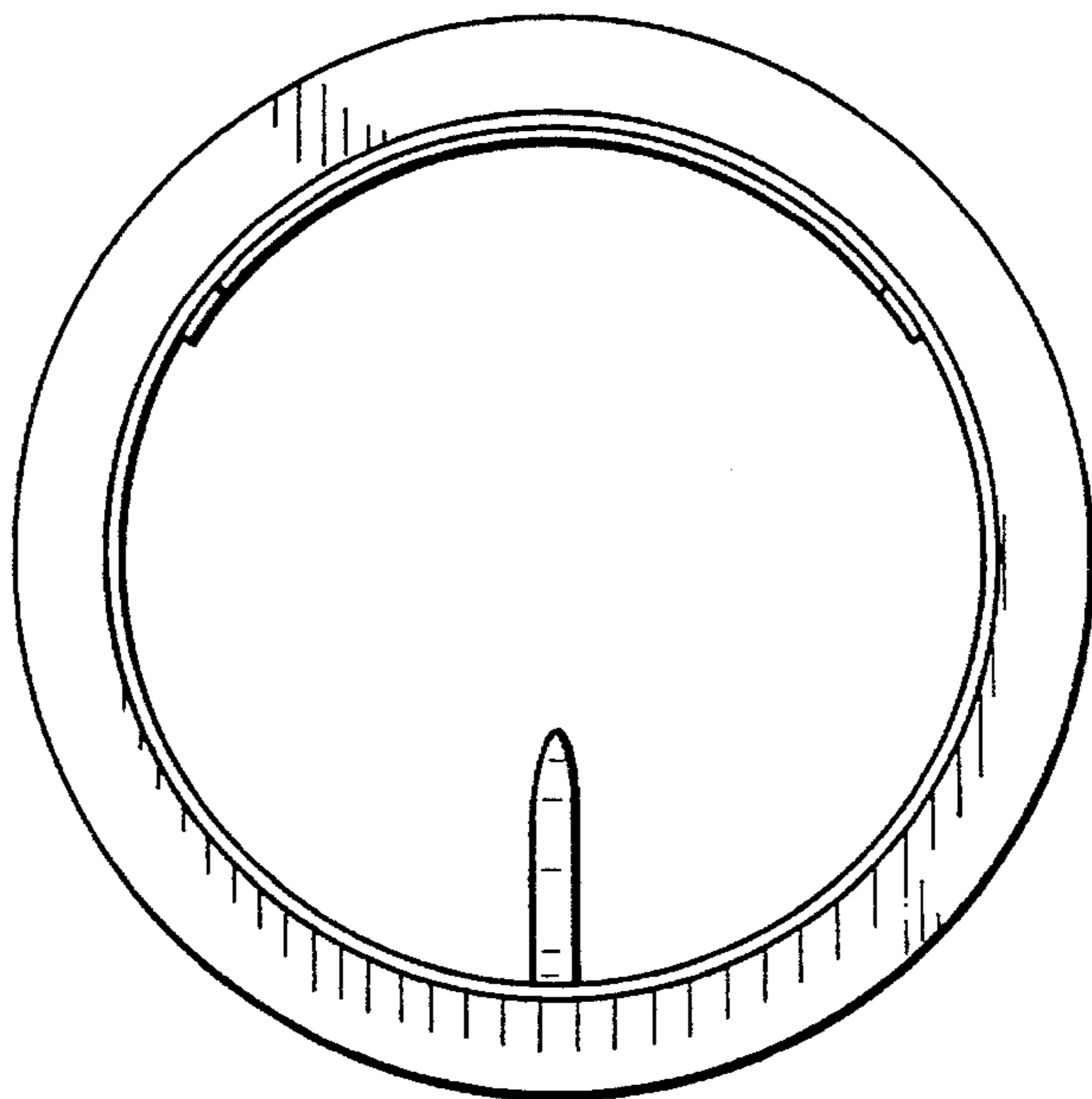


FIG. 6

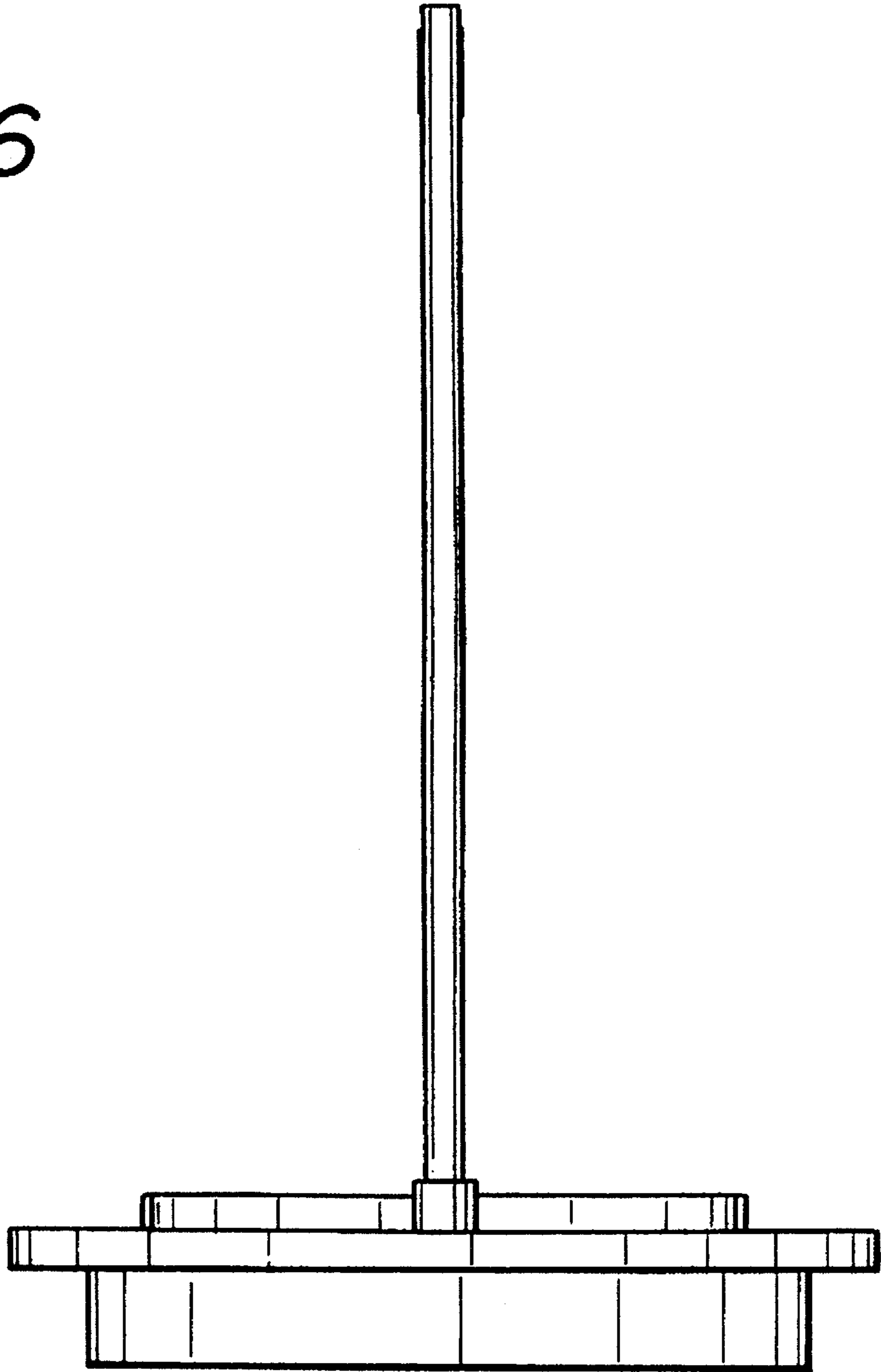


FIG. 7

