



US00D364944S

# United States Patent [19] Blaine

[11] Patent Number: **Des. 364,944**

[45] Date of Patent: **\*\*Dec. 5, 1995**

[54] **COMBINED PET LITTER BOX AND INSERT**

3243697	5/1984	Germany	119/166
3420837	12/1985	Germany	119/165
3150097	7/1988	Germany	119/165
8102536	12/1982	Netherlands	119/166

[76] Inventor: **Jerry Blaine**, 1556 N. La Brea,  
Hollywood, Calif. 90028

[\*\*] Term: **14 Years**

### OTHER PUBLICATIONS

Taylor Gifts Catalog; p. 55; Lift'n Sift Litter Box.

[21] Appl. No.: **13,897**

*Primary Examiner*—Cathy Anne MacCormac

[22] Filed: **Oct. 4, 1993**

*Attorney, Agent, or Firm*—John Edward Roethel

[52] U.S. Cl. .... **D30/161; D30/158**

[58] Field of Search ..... 119/165, 166,  
119/158; D30/161, 158

[57] **CLAIM**

The ornamental design for combined pet litter box and insert, as shown and described herein.

[56] **References Cited**

### DESCRIPTION

#### U.S. PATENT DOCUMENTS

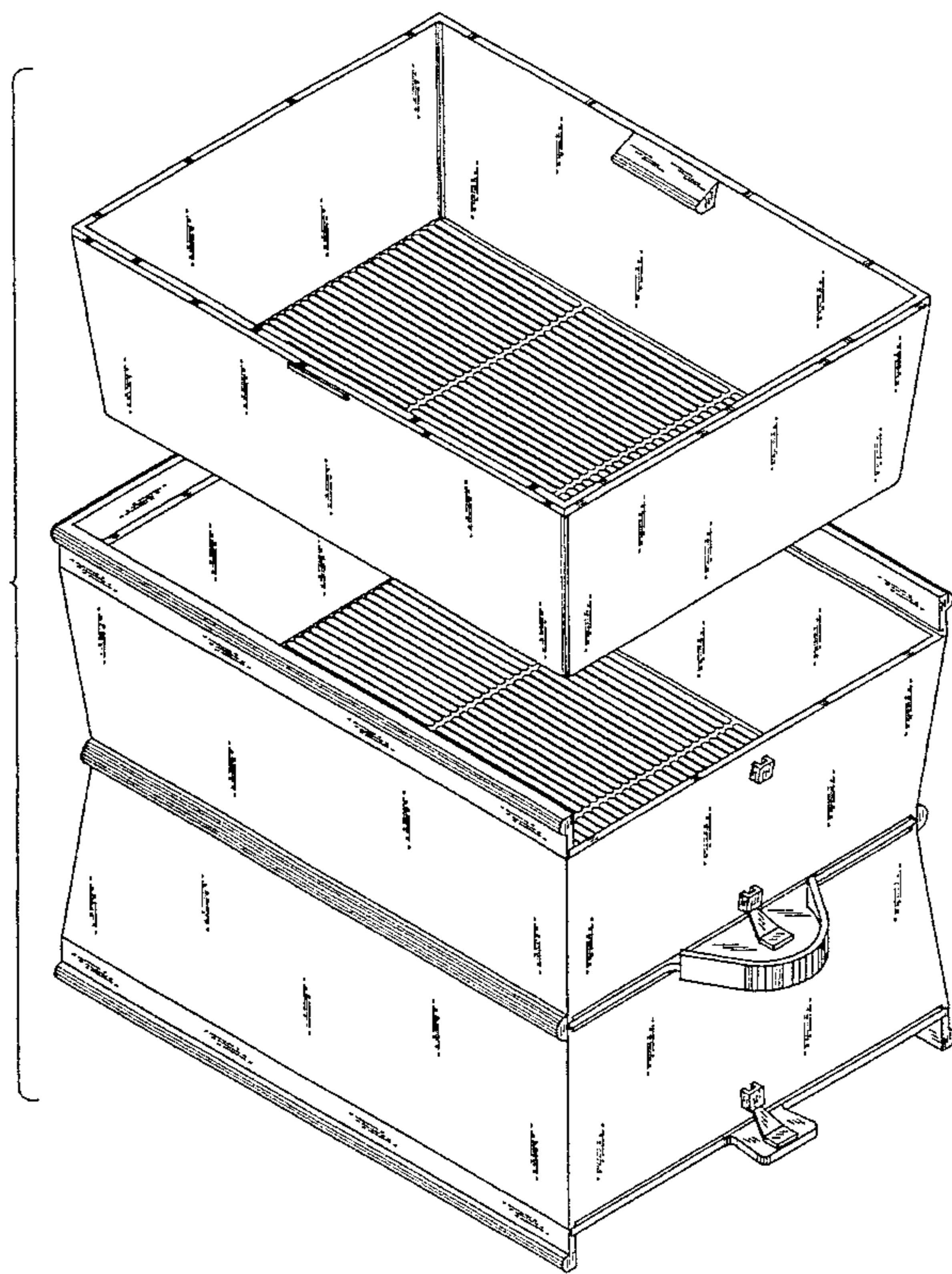
D. 221,349	8/1971	Bridges	D7/550
D. 241,755	10/1976	Lowe, Jr.	D30/161
D. 246,392	11/1977	Smith	D30/161
2,971,493	2/1961	Robb	119/166
3,100,474	8/1963	Schneider	119/166
3,141,441	7/1964	Russell	119/166
3,796,188	3/1974	Bradstreet	119/166
3,908,597	9/1975	Taylor	119/166
4,325,325	4/1982	Larter	119/166
4,325,822	4/1982	Miller	209/251
4,505,226	3/1985	Carlson	119/166
4,602,593	7/1986	Gross	119/166
4,616,598	10/1986	Burniski et al.	119/166
4,771,731	9/1988	Dery et al.	119/166
5,259,339	11/1993	McLaughlin	119/158

FIG. 1 is a perspective view of the combined pet litter box and insert showing my new design;  
 FIG. 2 is an exploded perspective view of the pet litter box showing my new design;  
 FIG. 3 is a front elevational view thereof;  
 FIG. 4 is a rear elevational view thereof;  
 FIG. 5 is a left elevational view thereof;  
 FIG. 6 is a right elevational view thereof;  
 FIG. 7 is a top plan view thereof;  
 FIG. 8 is a bottom plan view thereof;  
 FIG. 9 is a perspective view of the insert;  
 FIG. 10 is a front elevational view thereof;  
 FIG. 11 is a rear elevational view thereof;  
 FIG. 12 is a left elevational view thereof;  
 FIG. 13 is a right elevational view thereof;  
 FIG. 14 is a top plan view thereof; and,  
 FIG. 15 is a bottom plan view thereof.

#### FOREIGN PATENT DOCUMENTS

2309138	11/1976	France	119/165
2629680	10/1989	France	119/165
3028579	2/1982	Germany	119/166

**1 Claim, 9 Drawing Sheets**



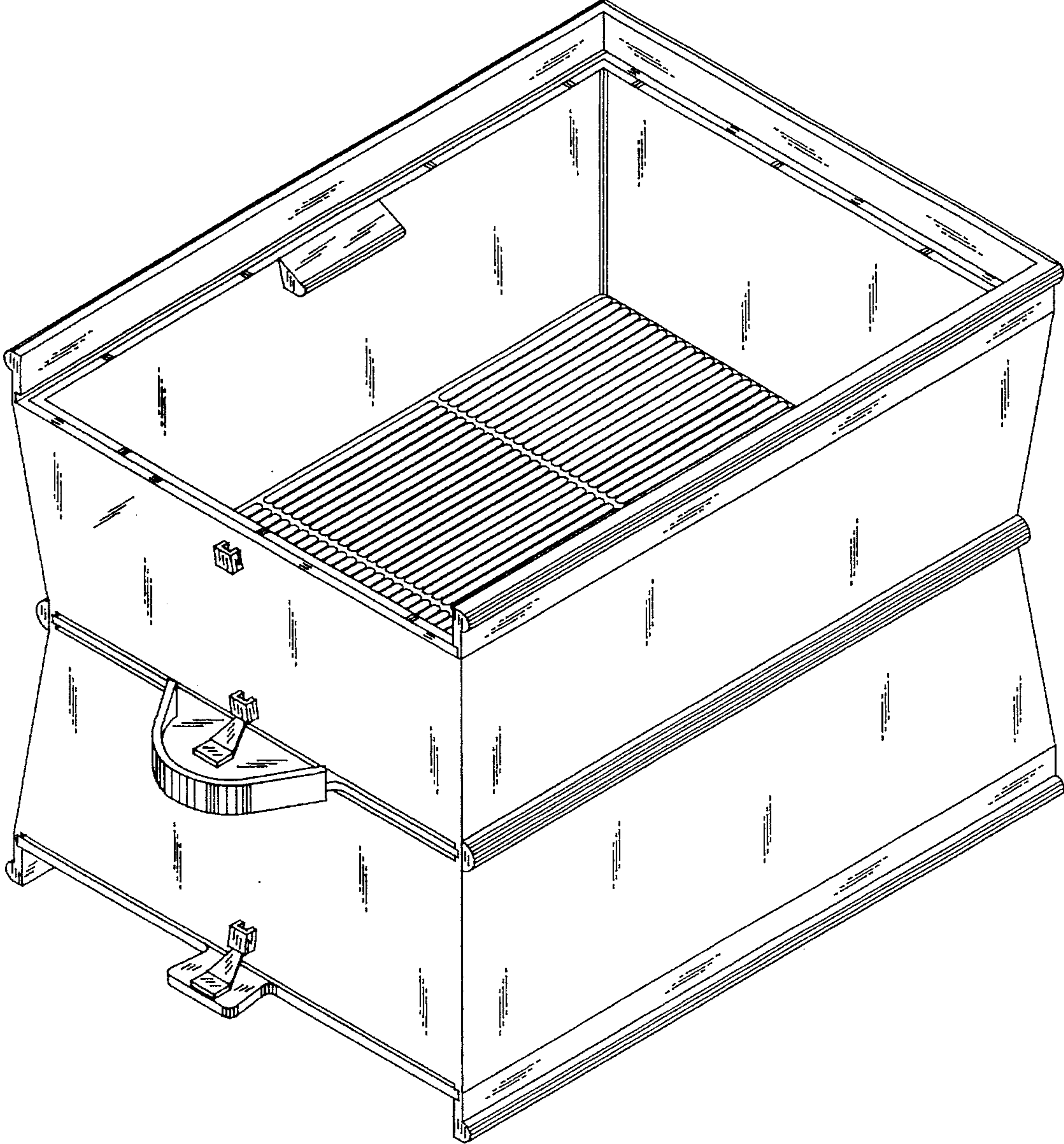


FIG-1

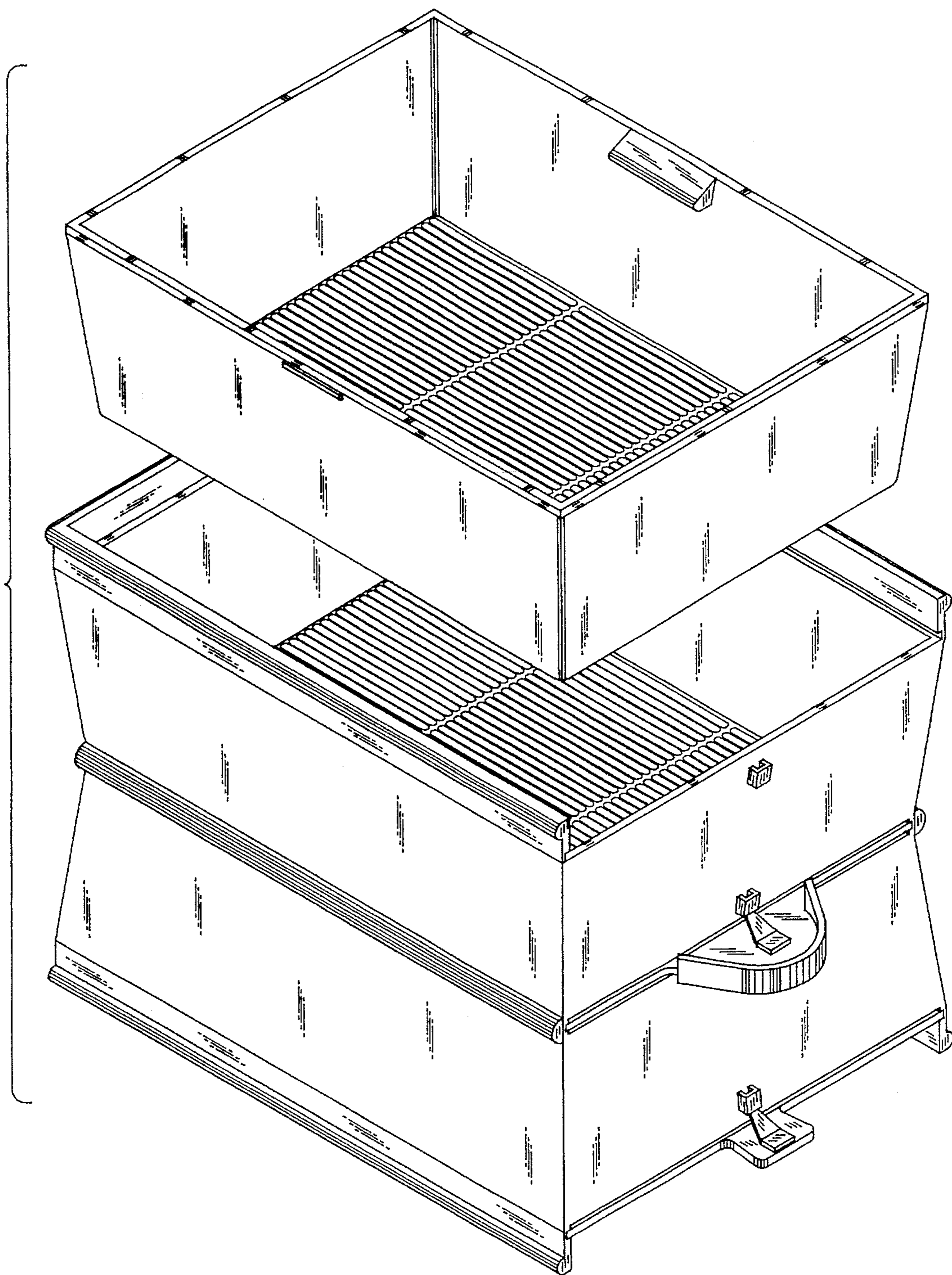


FIG-2

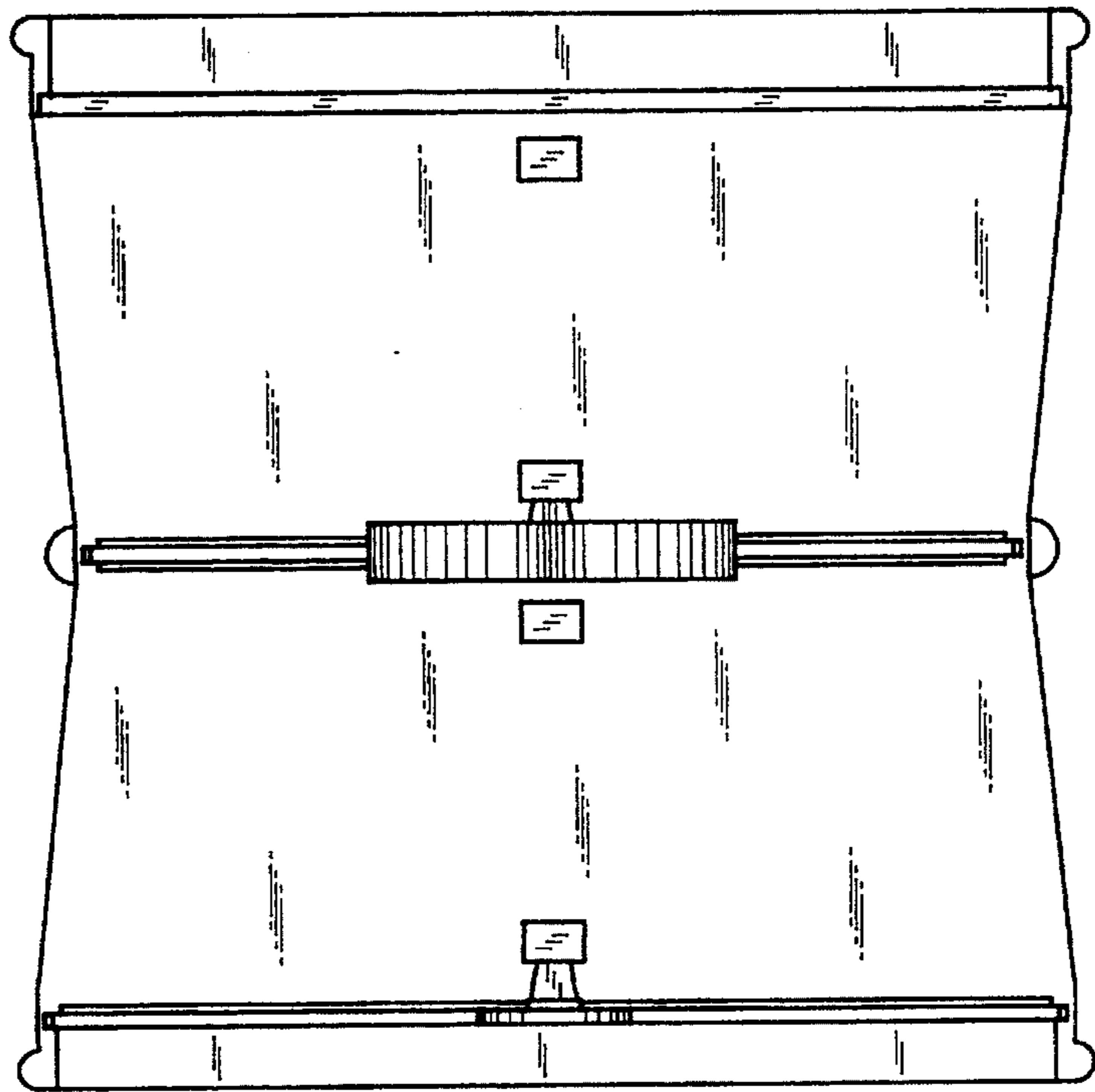


FIG-3

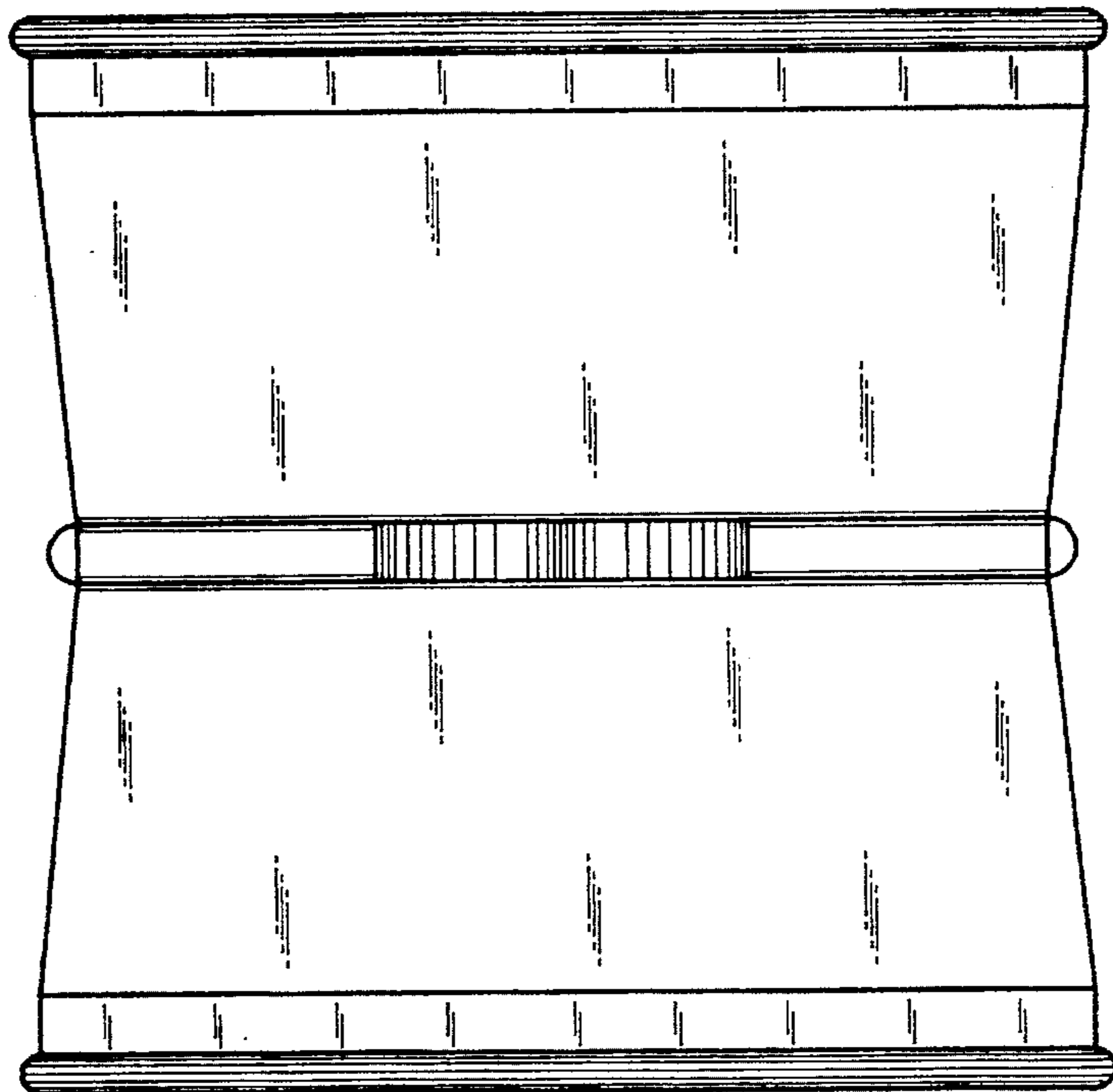


FIG-4

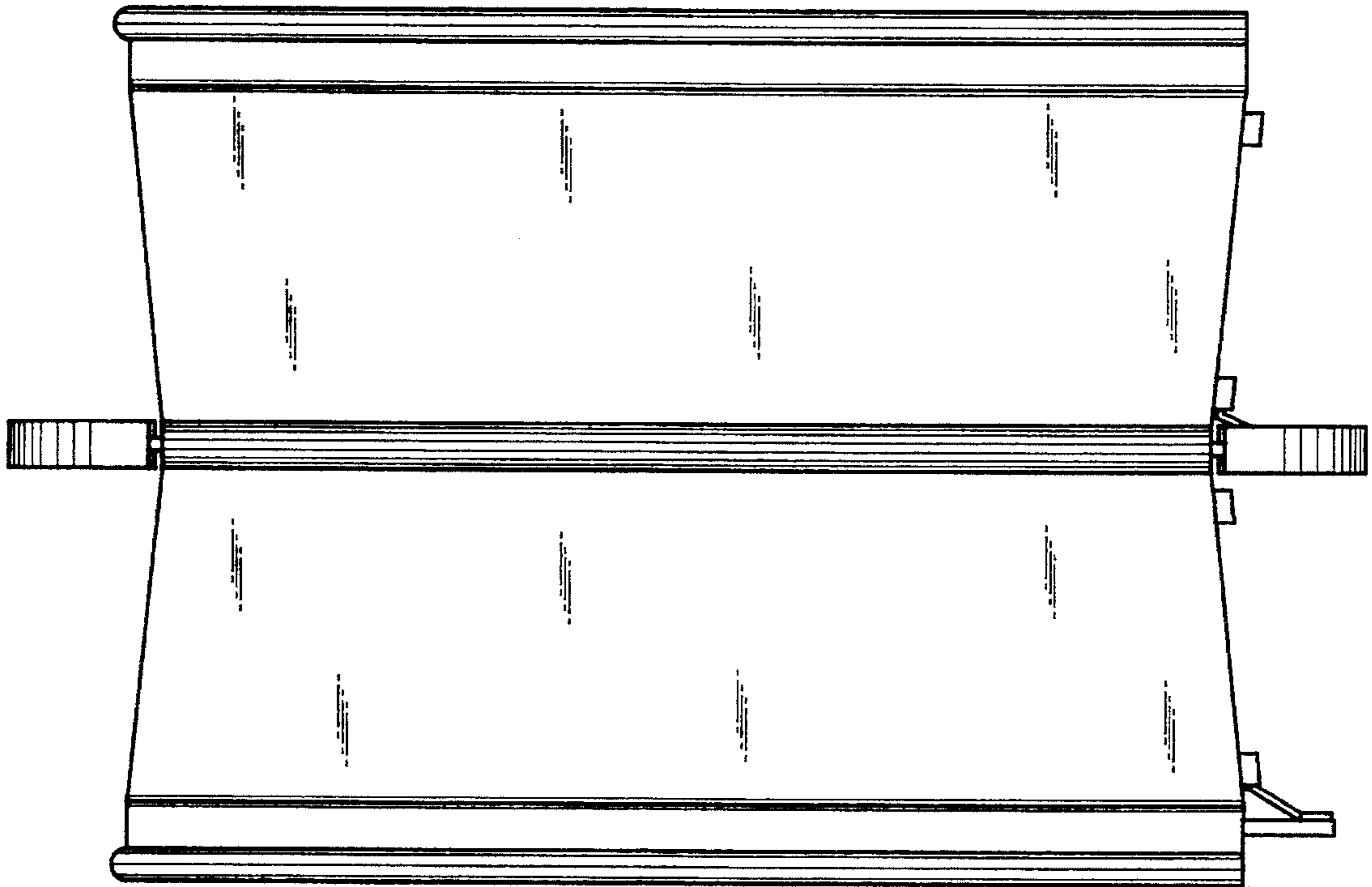


FIG-5

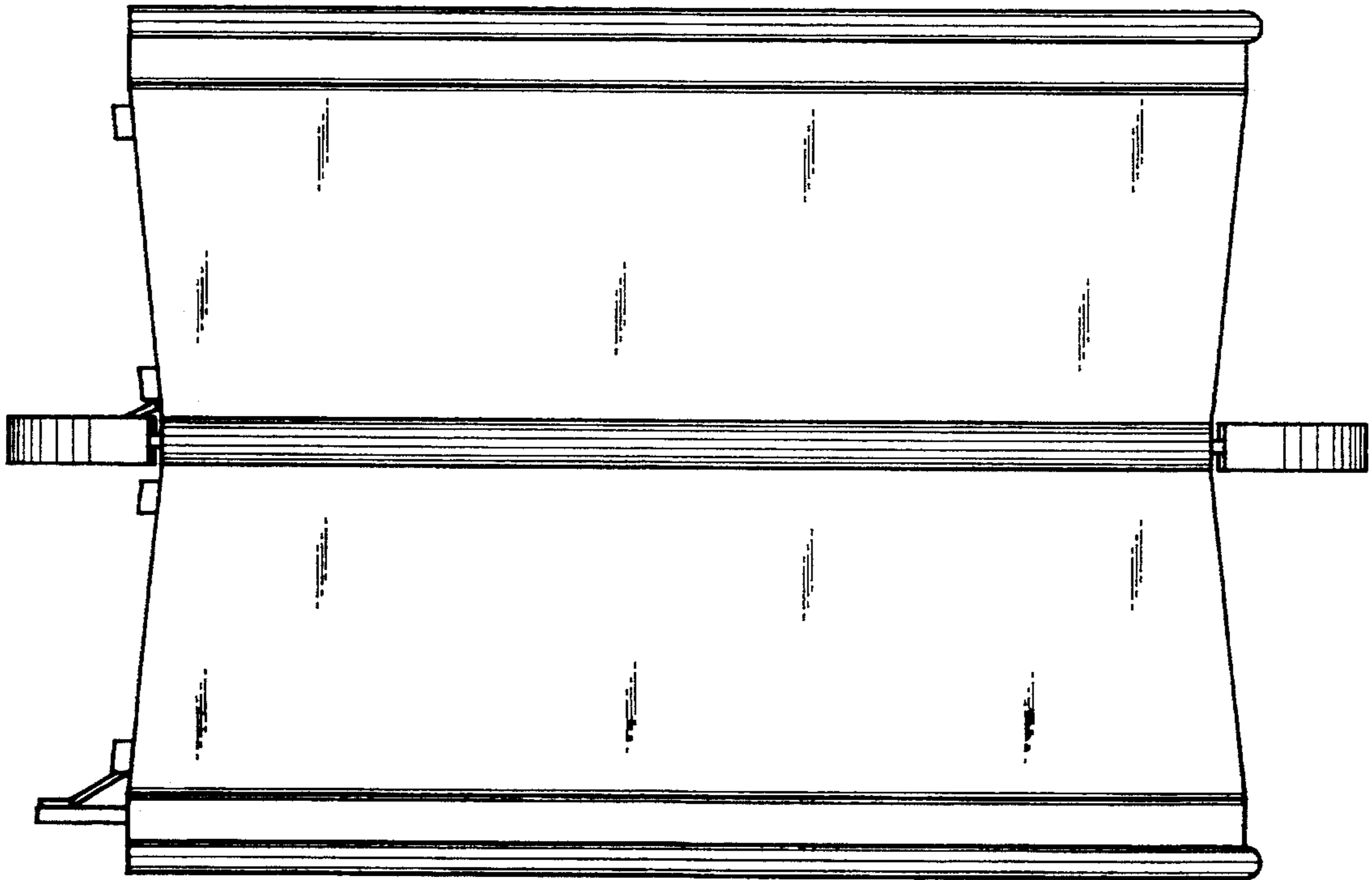


FIG-6

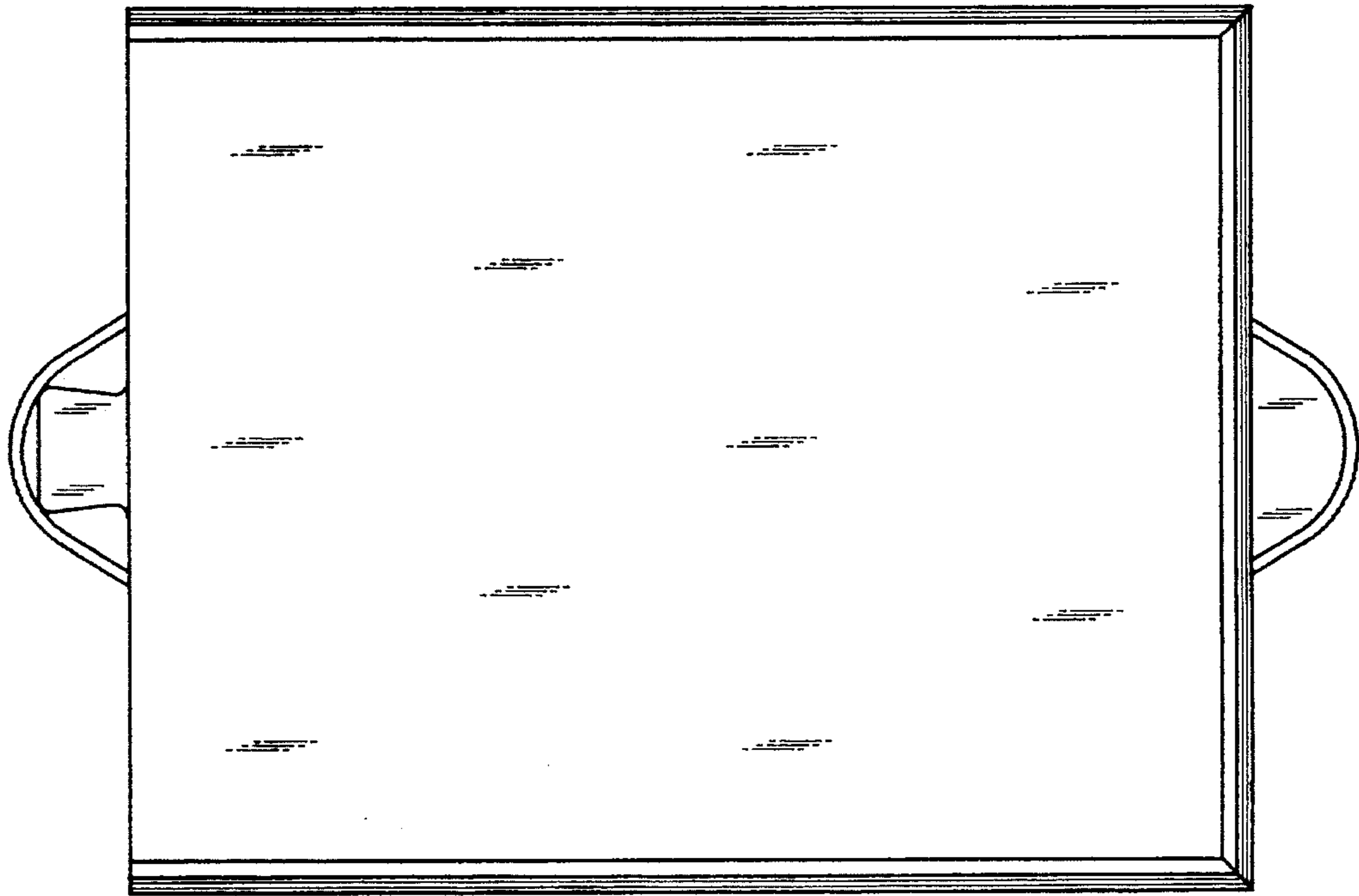


FIG-8

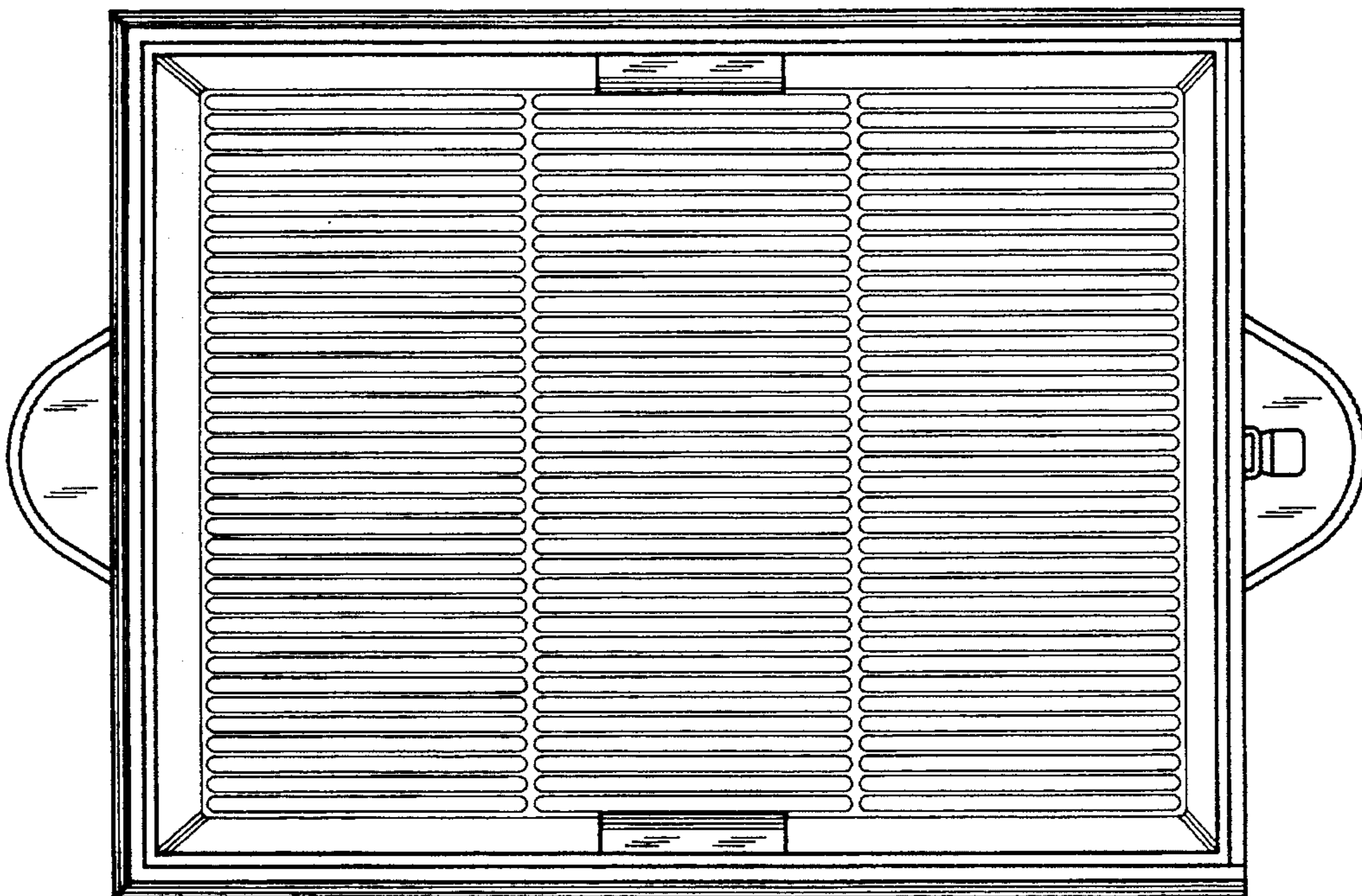


FIG-7

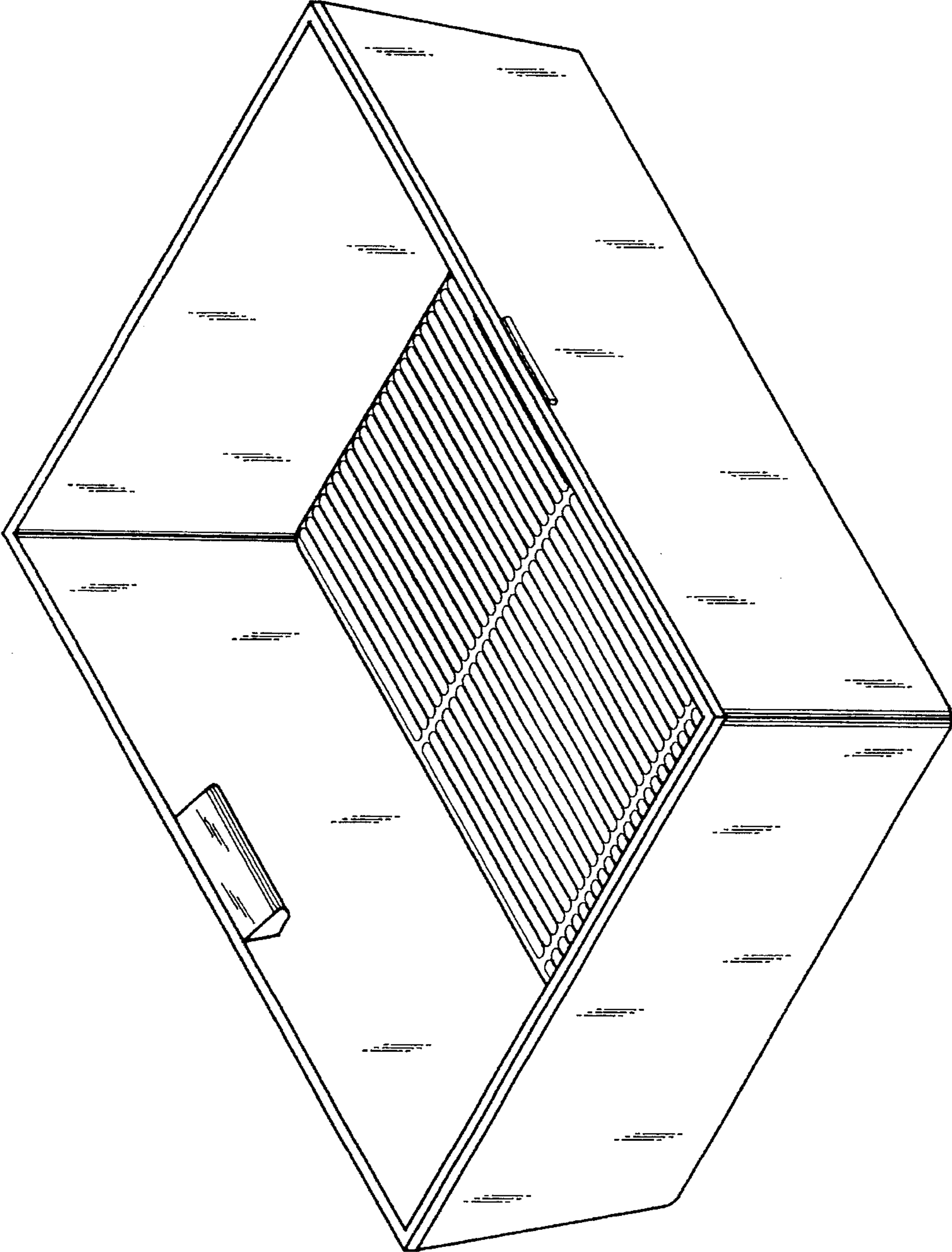


FIG-9

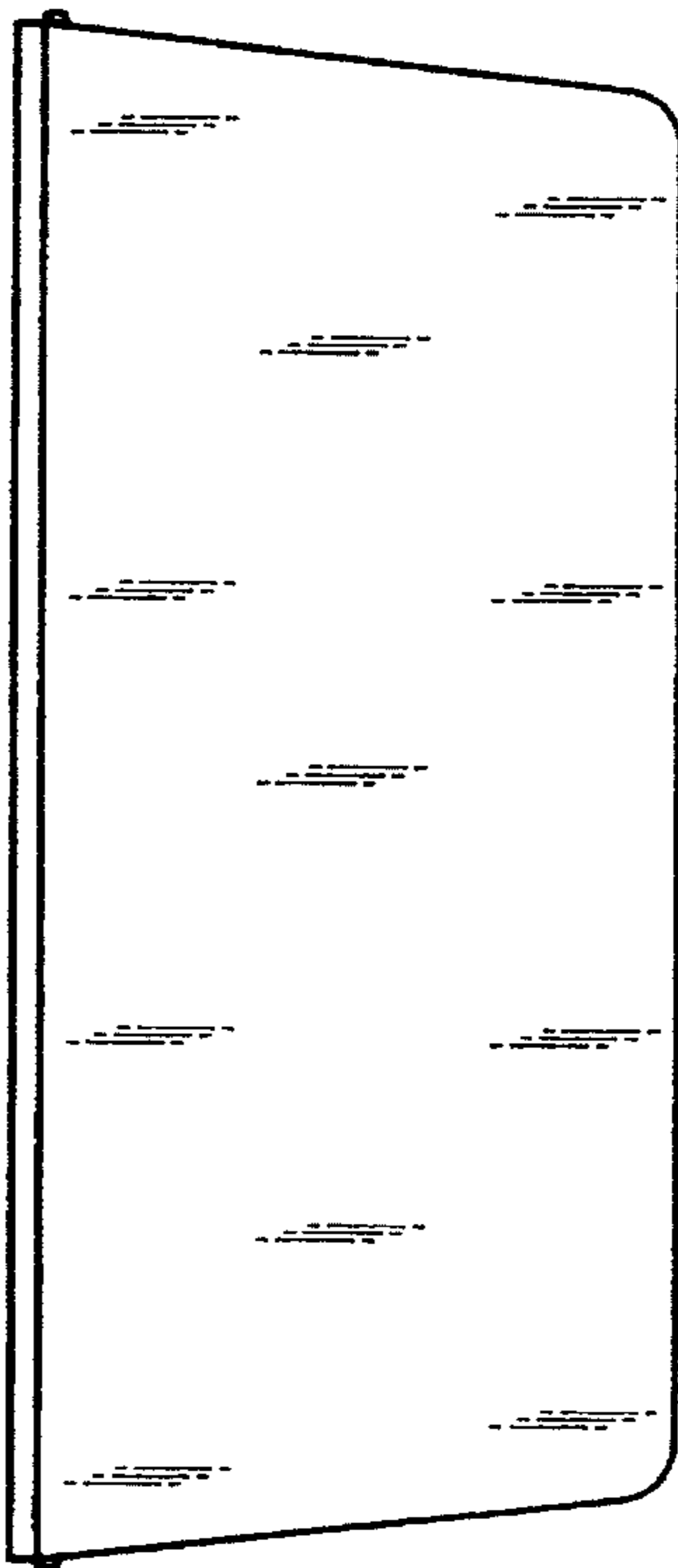
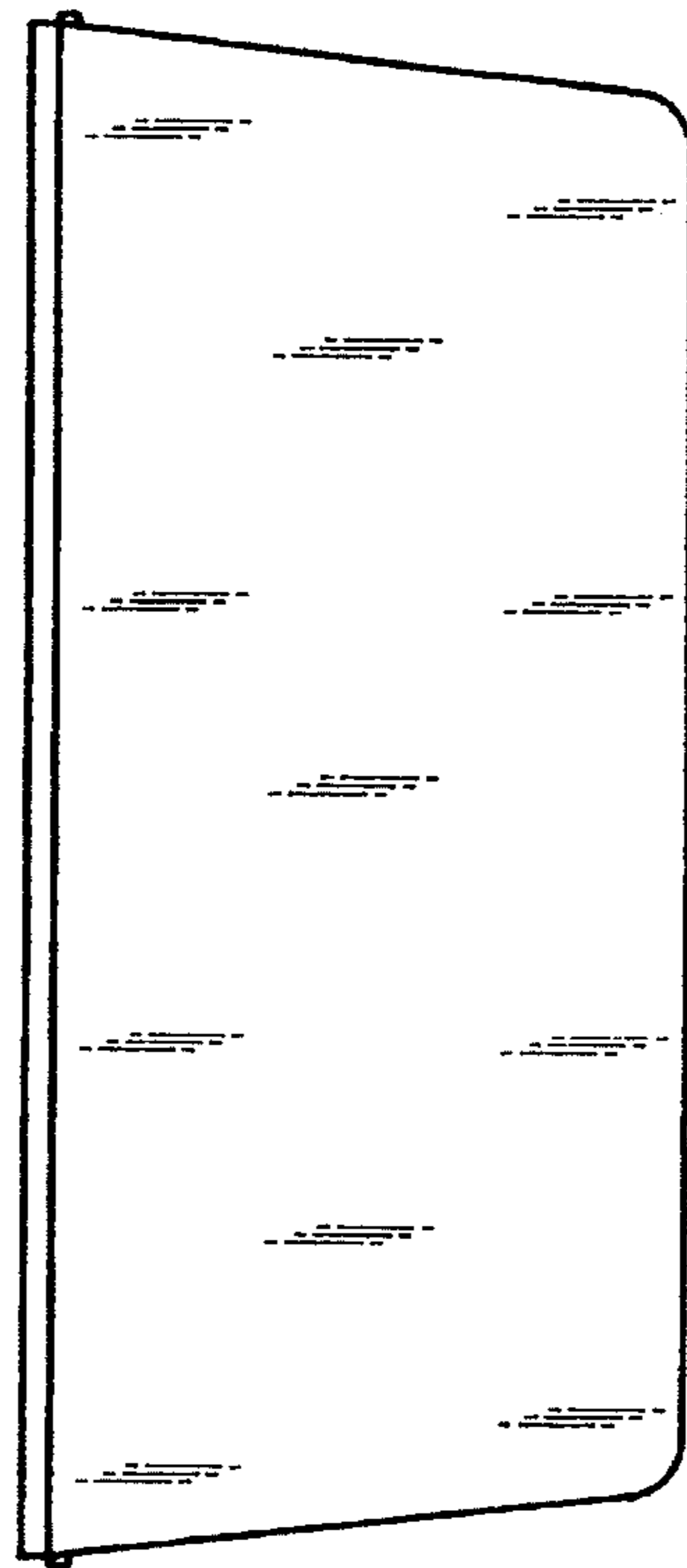


FIG-10

FIG-11



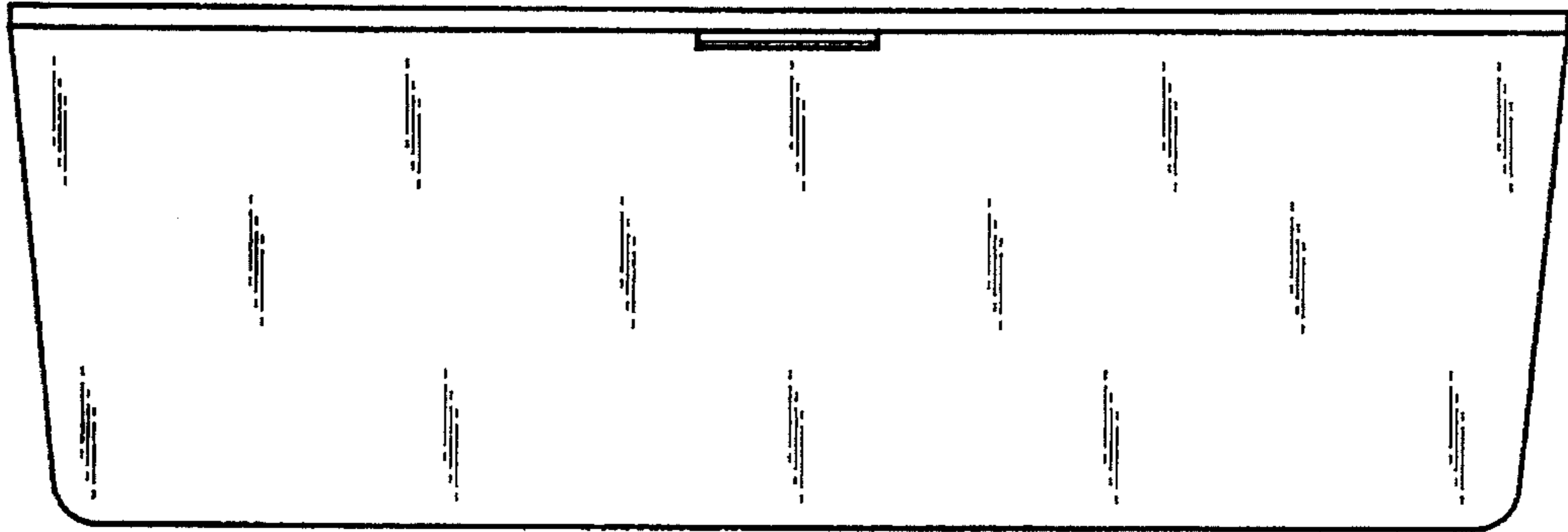


FIG-12

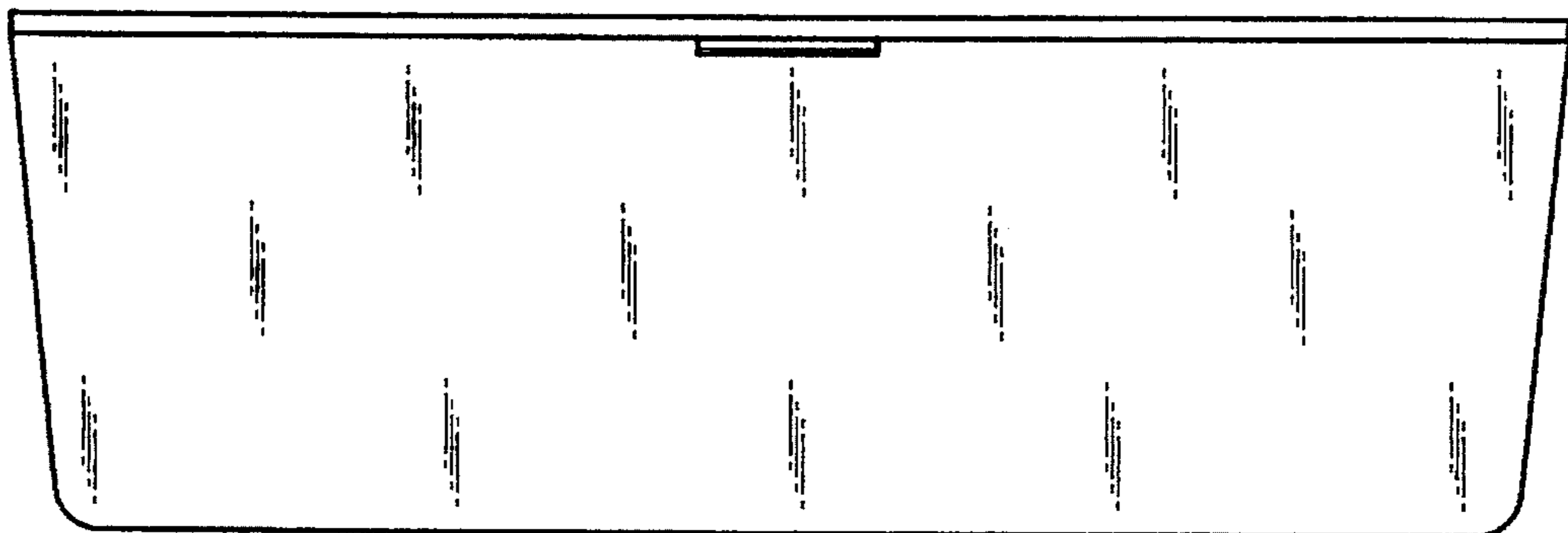


FIG-13

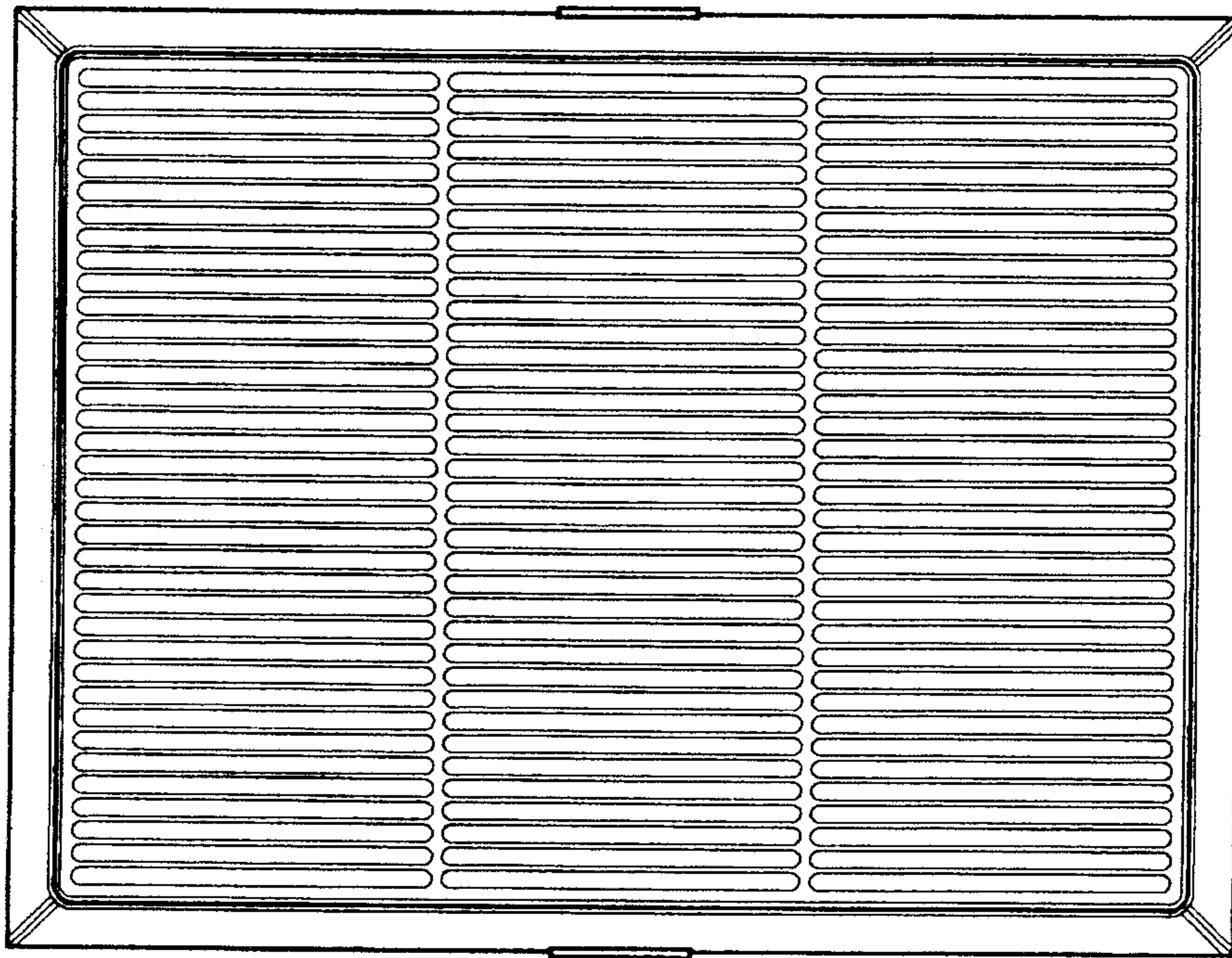


FIG-15

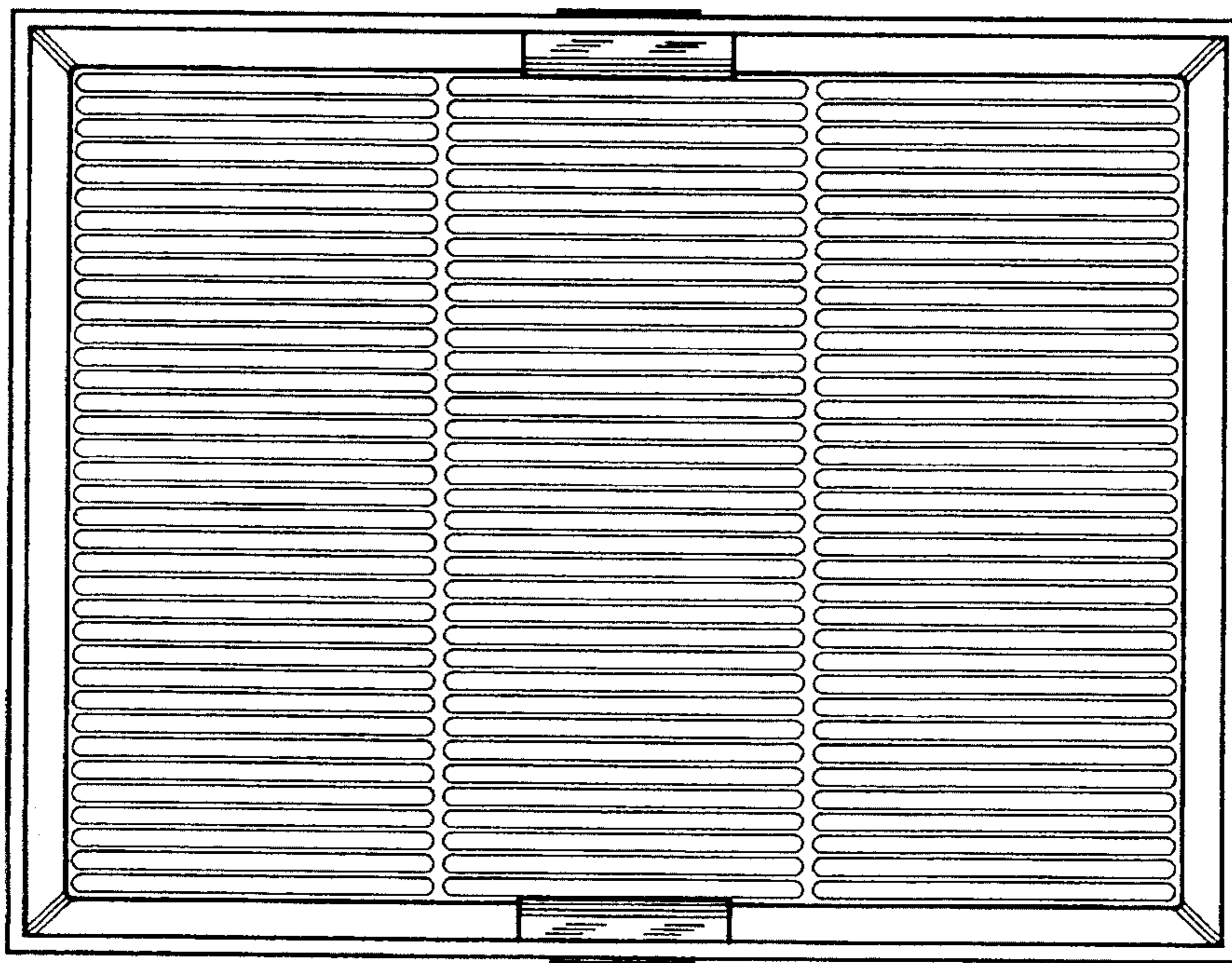


FIG-14