



US00D364943S

United States Patent [19]

[11] Patent Number: **Des. 364,943**

Valentine et al.

[45] Date of Patent: ****Dec. 5, 1995**

[54] **HOLDER FOR A PET WATER DISPENSER**

1662452	7/1991	U.S.S.R.	119/61
853966	11/1960	United Kingdom	119/61
2198928	6/1988	United Kingdom	119/61

[76] Inventors: **Al Valentine; Carol L. Pausa**, both of
69344 Saxon Dr., Romeo, Mich. 48065

OTHER PUBLICATIONS

[**] Term: **14 Years**

Oasis Pet Products, Division of Novalek, Inc. brochure
Cover photograph for Bottle Holdguard.

[21] Appl. No.: **24,752**

Oasis Corner Guard brochure by Novalek, Inc.; Aug. 24,
1993.

[22] Filed: **Jun. 17, 1994**

Hyde Bird Feeder Company Catalog p. 3; Fall 1991; Win-
dow Feeder.

[52] U.S. Cl. **D30/133**; D30/119; 248/121

[58] Field of Search 119/72, 18, 61,
119/77, 72.5; D6/469; D7/619, 601, 602,
701; 248/121, DIG. 2; 211/74, 75; D30/133,
119, 121, 122, 110, 111, 124-128

Primary Examiner—Cathy Anne MacCormac
Attorney, Agent, or Firm—Peter D. Keefe

[56] References Cited

[57] CLAIM

U.S. PATENT DOCUMENTS

The ornamental design for a holder for a pet water dispenser,
as shown.

D. 253,802	1/1980	Loud et al.	D6/469
D. 268,056	2/1983	Campbell-Kelly et al.	D30/121
D. 342,844	1/1994	Rittenberg	D6/469
D. 357,557	4/1995	Piper	D30/133
3,082,739	3/1963	Schloemer	119/61
3,589,338	6/1971	Lovitz	119/77
4,173,948	11/1979	Austin	119/72.5
4,348,989	9/1982	Vik	119/72
4,795,038	1/1989	Johnson	D6/469
4,976,223	12/1990	Pierce	119/61
5,255,803	10/1993	Parone et al.	248/121

DESCRIPTION

FIG. 1 is a perspective view of a holder for a pet water dispenser showing our new design, the broken lines are for purposes of illustration only and form no part of the claimed design;

FIG. 2 is a side elevational view thereof;

FIG. 3 is a front elevational view thereof;

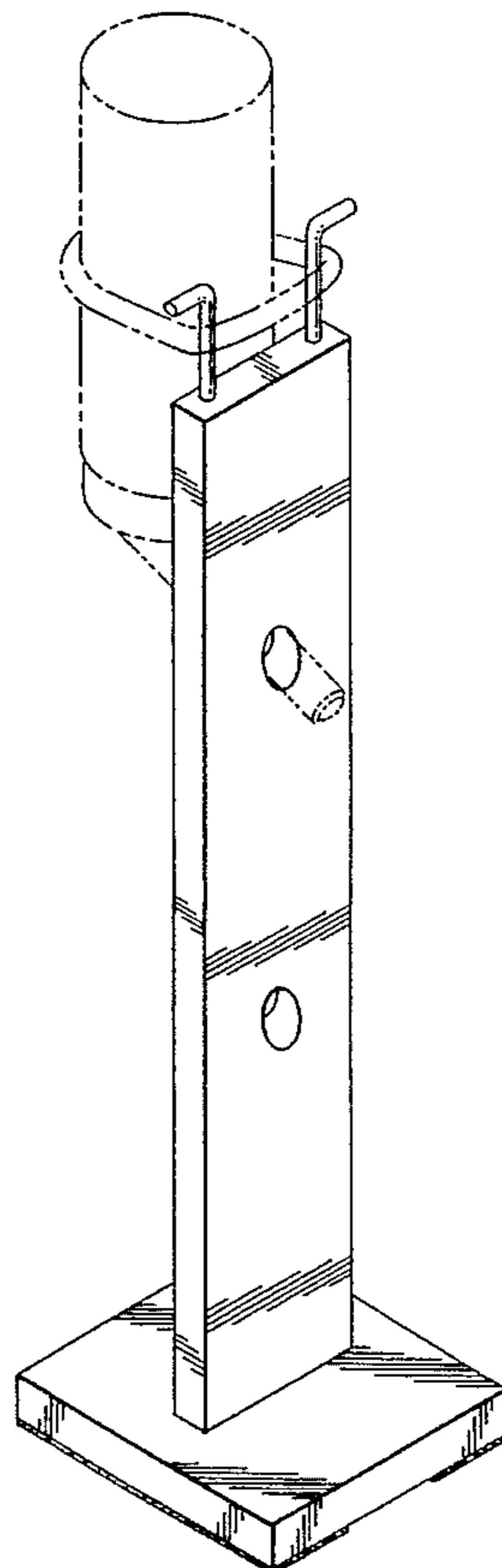
FIG. 4 is a bottom plan view thereof; and,

FIG. 5 is a top plan view thereof.

FOREIGN PATENT DOCUMENTS

2379269	10/1978	France	D6/469
---------	---------	--------------	--------

1 Claim, 1 Drawing Sheet



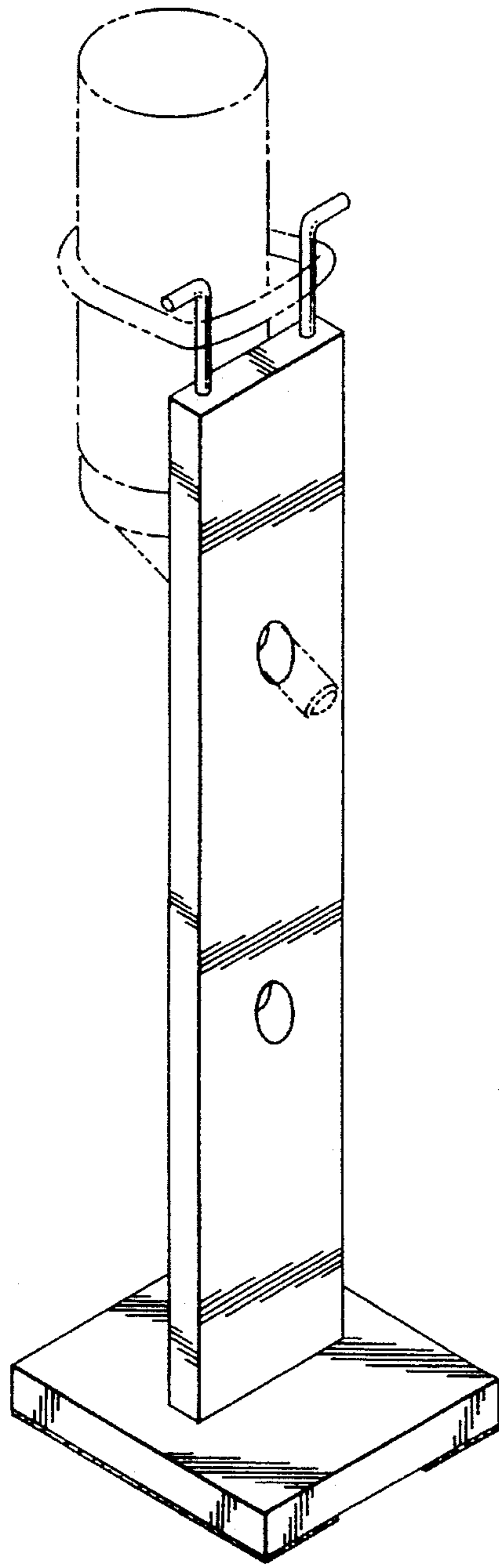


FIG. 1

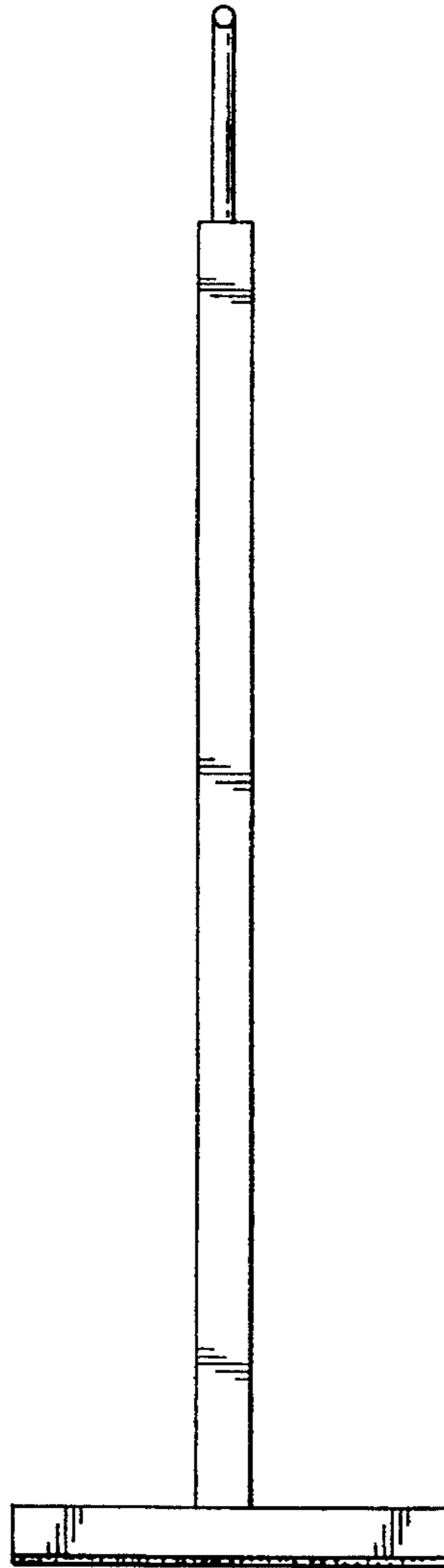


FIG. 2

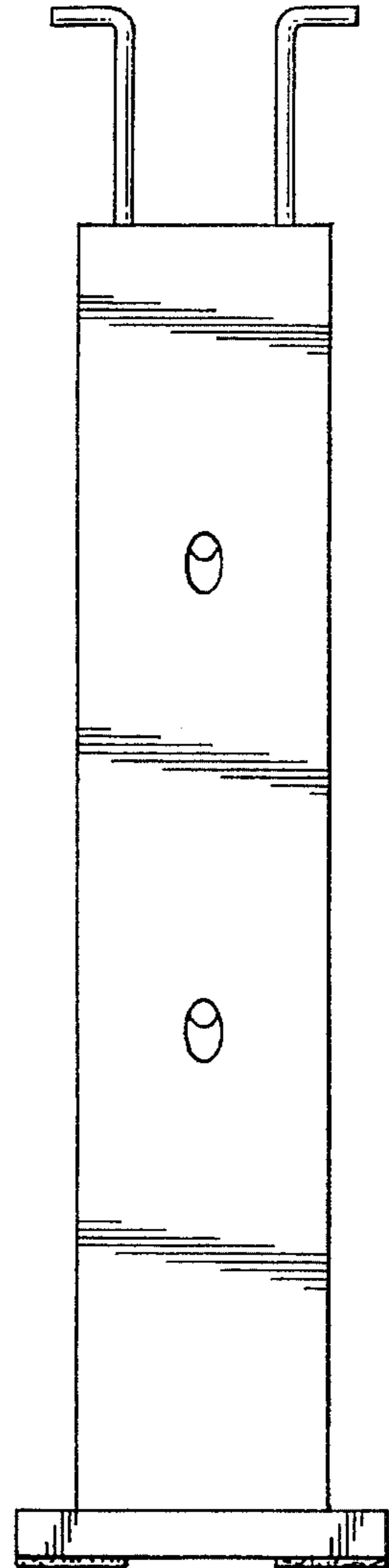


FIG. 3

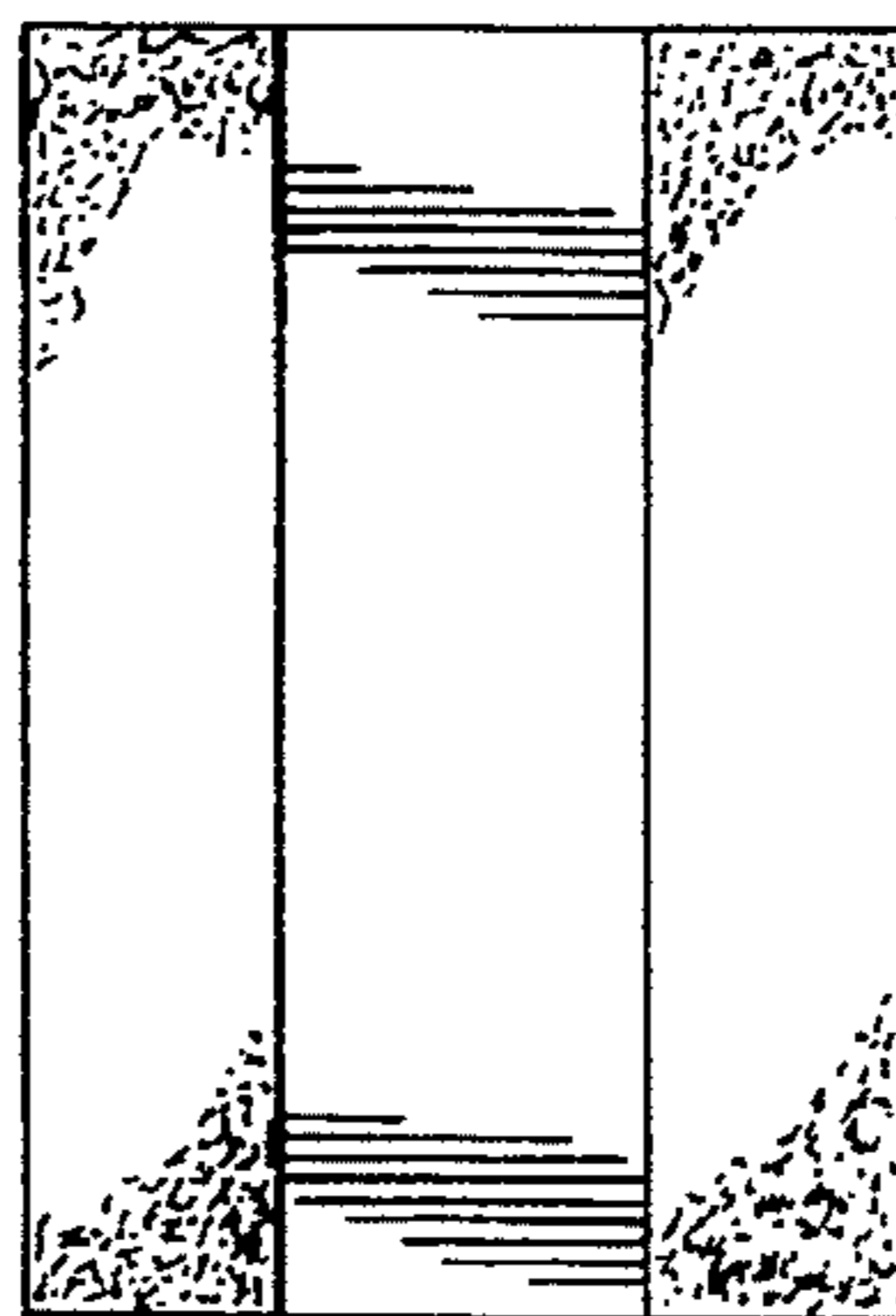


FIG. 4

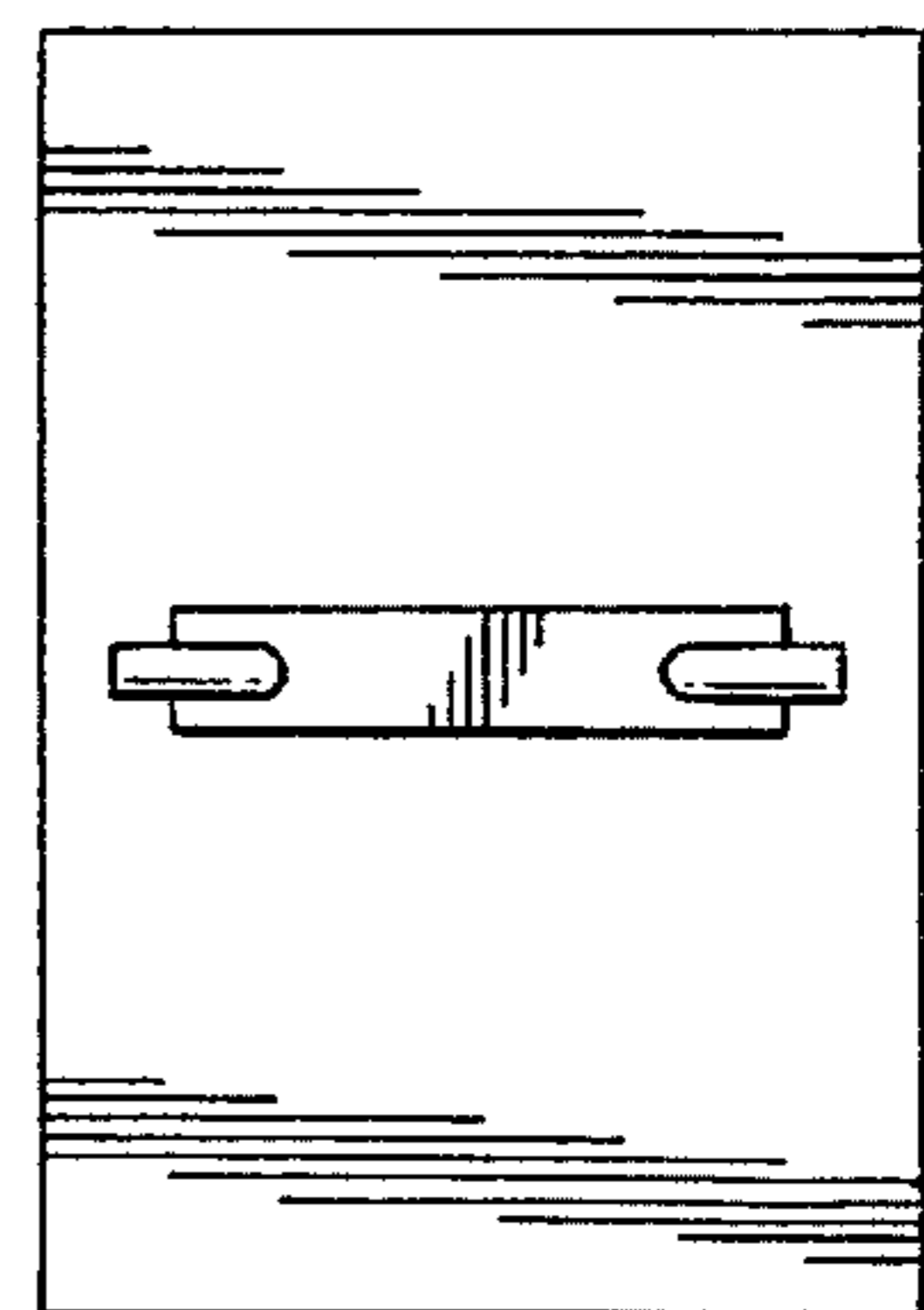


FIG. 5