



US00D364942S

# United States Patent [19]

VanSkiver et al.

[11] Patent Number: **Des. 364,942**

[45] Date of Patent: **\*\*Dec. 5, 1995**

[54] **PET FEEDER**

[75] Inventors: **Ralph VanSkiver; Doug Sharp**, both of Arlington, Tex.

[73] Assignee: **Doskocil Manufacturing Company, Inc.**, Arlington, Tex.

[\*\*] Term: **14 Years**

[21] Appl. No.: **23,454**

[22] Filed: **May 25, 1994**

[52] U.S. Cl. .... **D30/121; D30/132**

[58] Field of Search ..... D30/110-111, D30/124-128, 120-122, 132; 119/51.5, 52.1, 53, 54, 72, 77, 18, 51.12

[56] **References Cited**

**U.S. PATENT DOCUMENTS**

D. 330,098	10/1992	VanSkiver	.....	D30/121
D. 350,481	9/1994	VanSkiver	.....	D30/121
D. 351,689	10/1994	VanSkiver	.....	D30/121
3,720,184	3/1973	Pearce	.....	119/77
3,730,141	5/1973	Manning et al.	.....	119/51.5
4,303,039	12/1981	Thibault	.....	119/53
4,721,063	1/1988	Atchley	.....	119/52.1
4,735,171	4/1988	Essex	.....	119/51.12
4,840,143	6/1989	Simon	.....	119/72
5,353,739	10/1994	Chu	.....	119/54
5,365,879	11/1994	Ho Ying-Kuan	.....	119/18

**FOREIGN PATENT DOCUMENTS**

7316602 11/1974 France ..... 119/77

**OTHER PUBLICATIONS**

StarCrest of California Advertisement for Food Feeder #7-14120-3.

*Primary Examiner*—Cathy Anne MacCormac  
*Attorney, Agent, or Firm*—Andrew J. Dillon

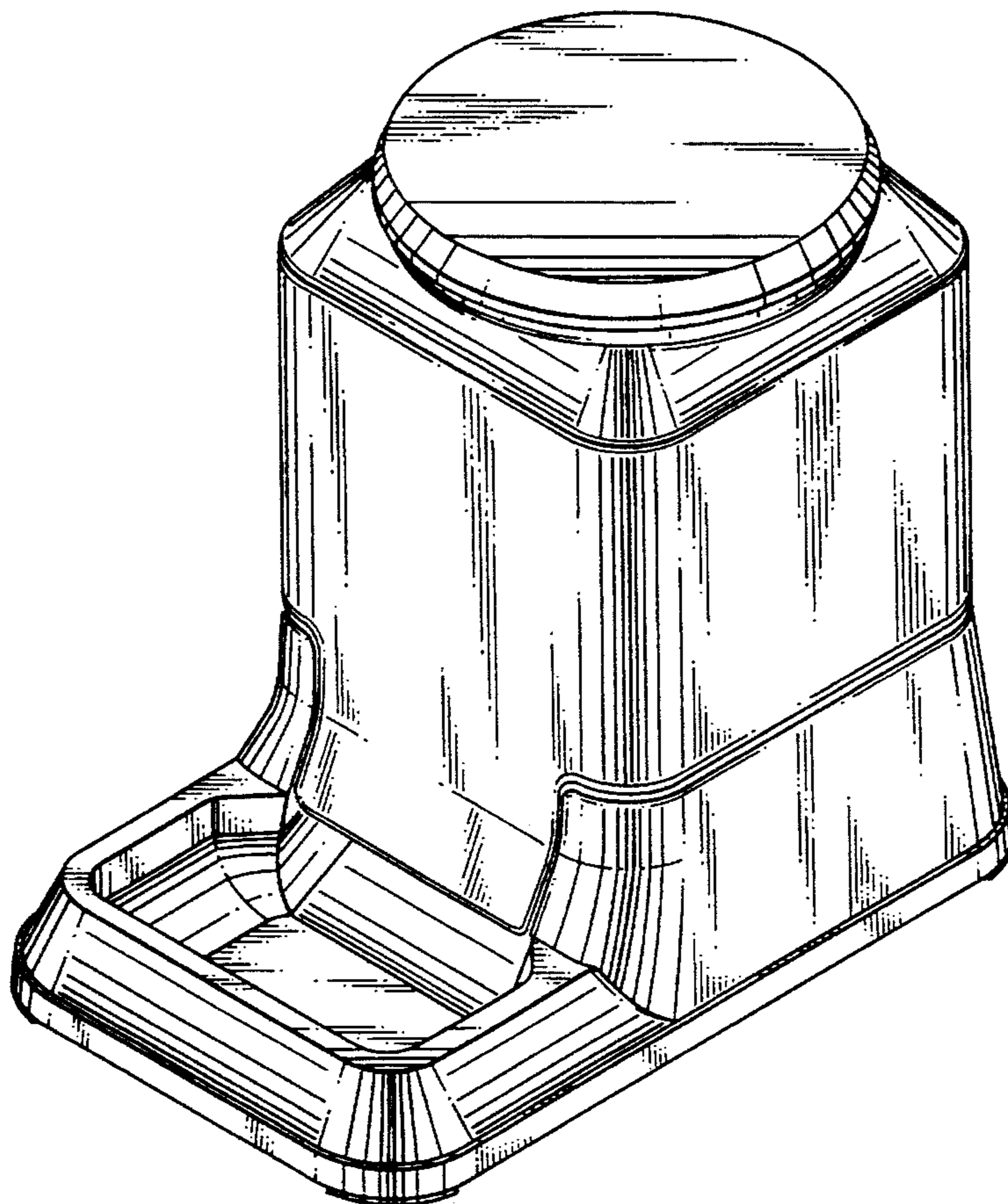
[57] **CLAIM**

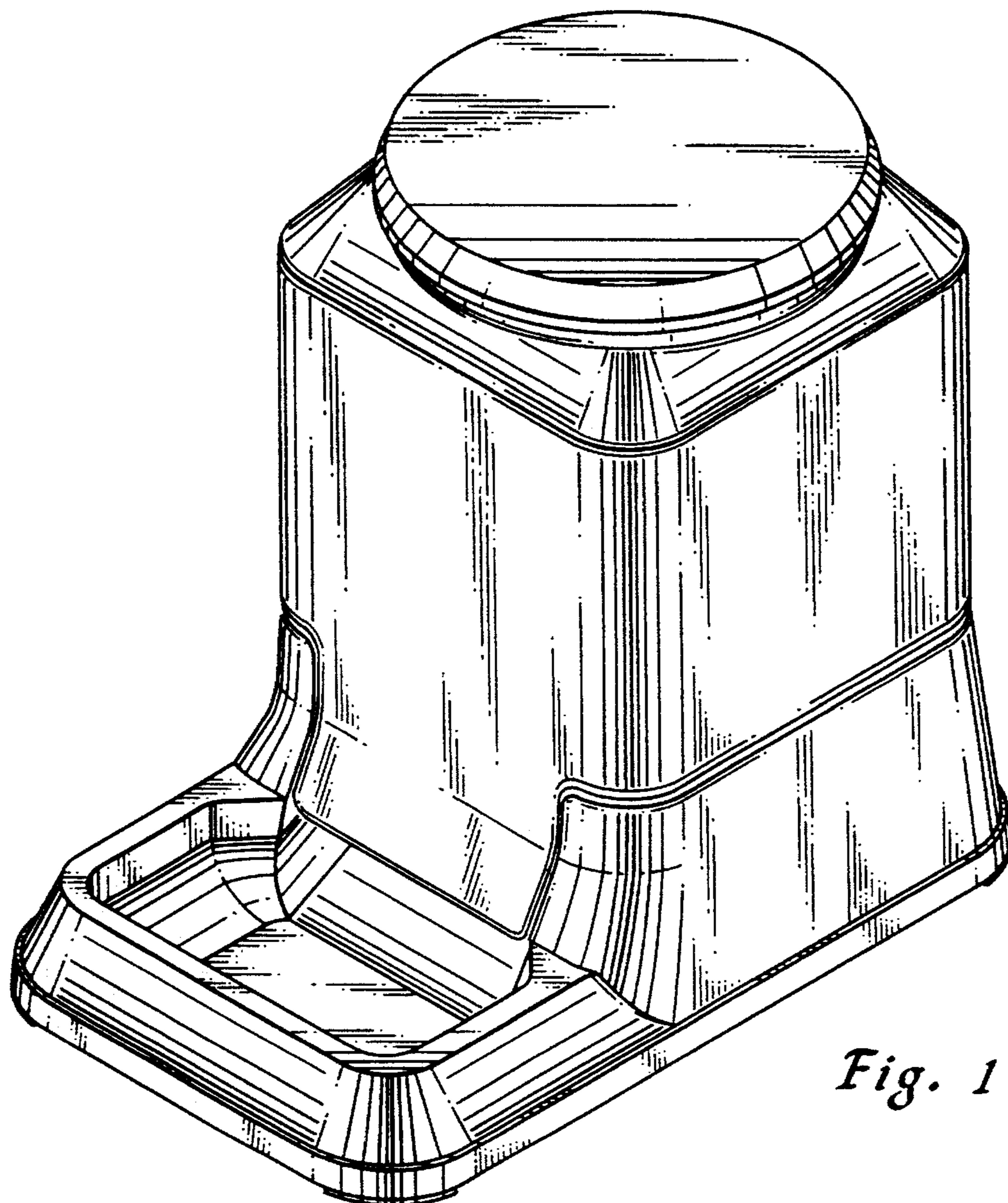
The ornamental design for a pet feeder, as shown and described.

**DESCRIPTION**

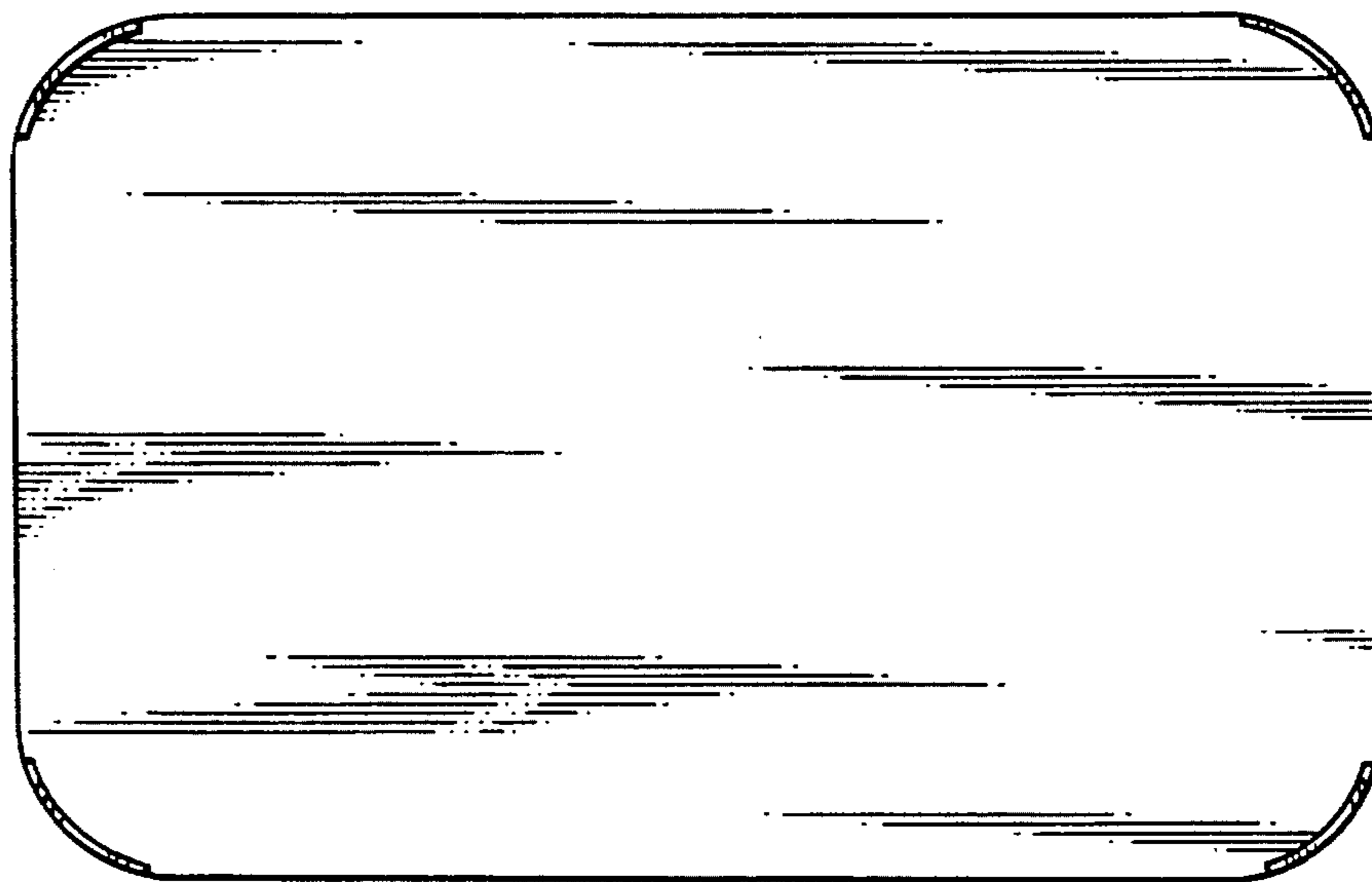
FIG. 1 is a perspective view of the pet feeder of the present invention;  
 FIG. 2 is a top view of the pet feeder of the present invention;  
 FIG. 3 is a side view of the pet feeder, the opposite side being a mirror image thereof, of the present invention;  
 FIG. 4 is a front view of the pet feeder of the present invention;  
 FIG. 5 is a back view of the pet feeder of the present invention; and,  
 FIG. 6 is a bottom view of the pet feeder of the present invention.

**1 Claim, 3 Drawing Sheets**



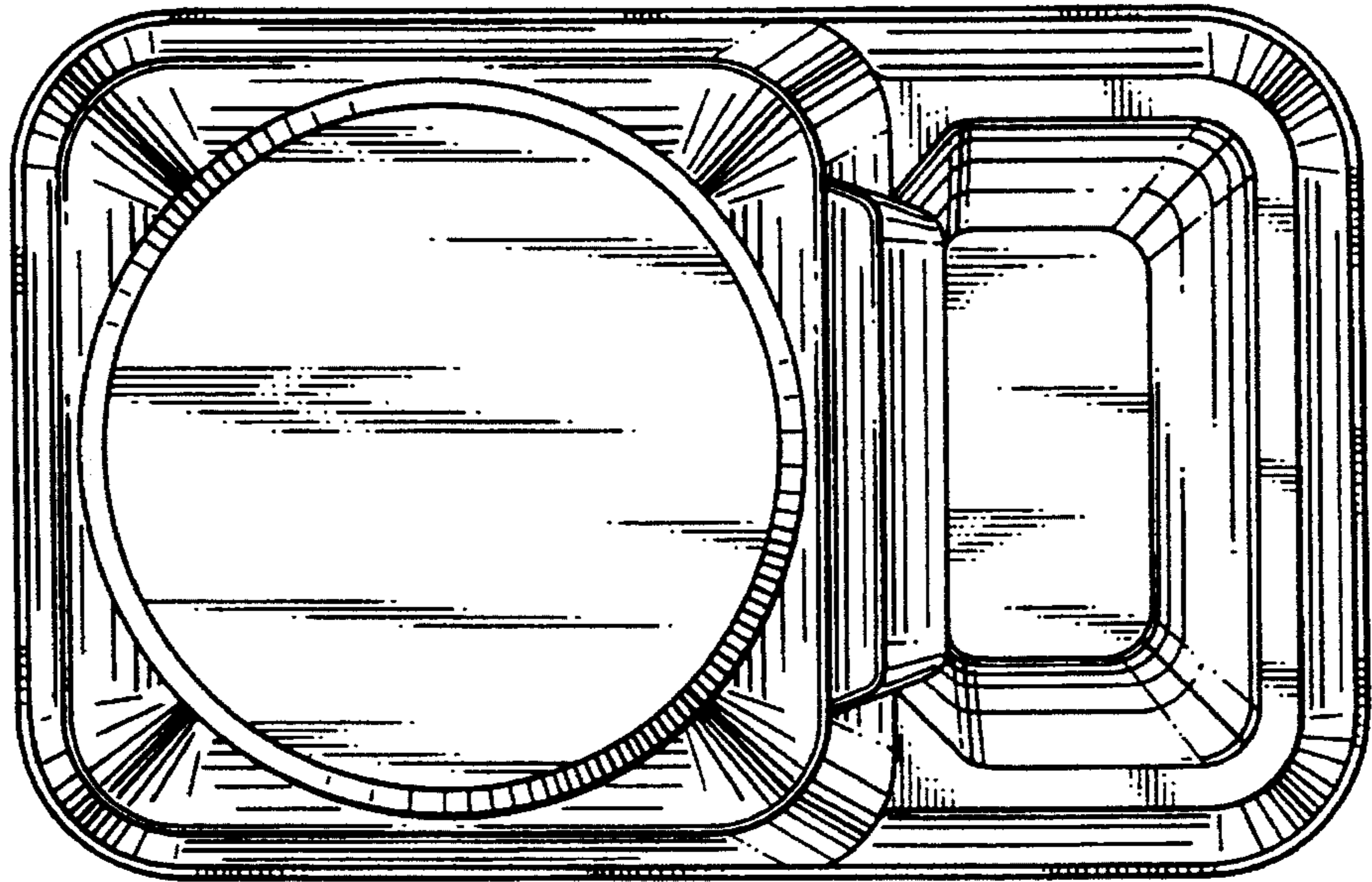


*Fig. 1*

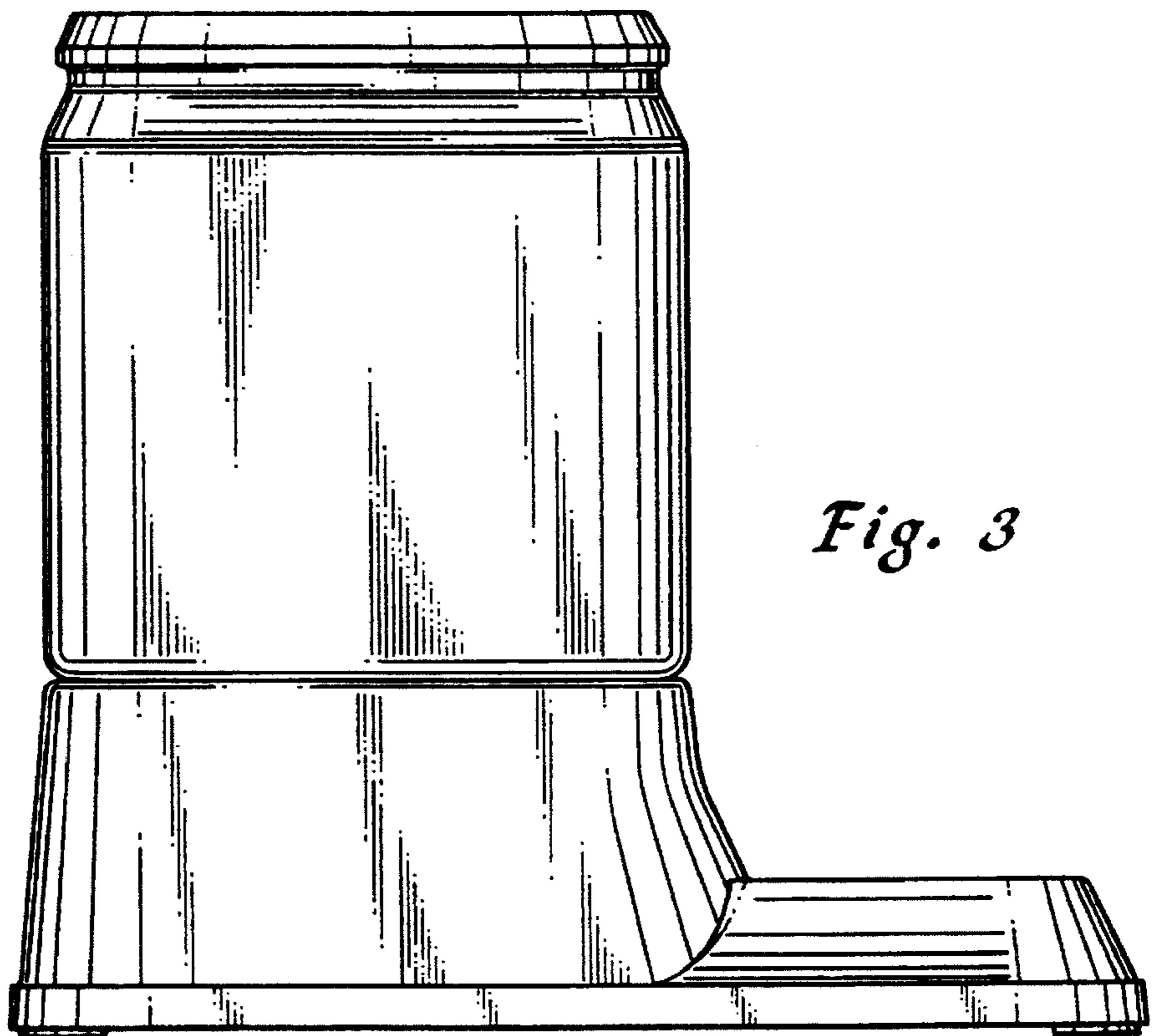


*Fig. 6*



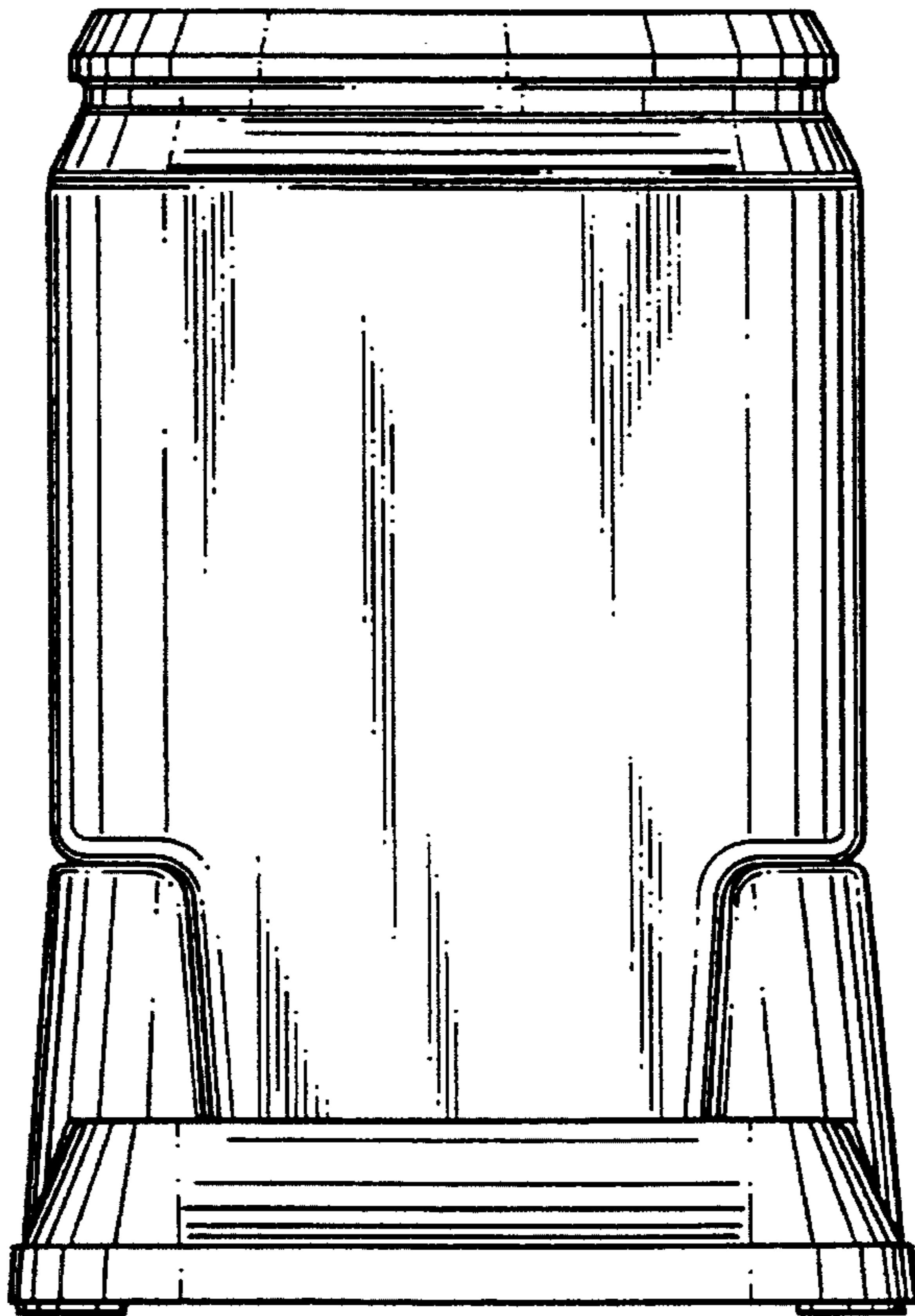


*Fig. 2*



*Fig. 3*

*Fig. 4*



*Fig. 5*

