



US00D364937S

United States Patent [19]

Suwalkowski et al.

[11] Patent Number: **Des. 364,937**

[45] Date of Patent: ****Dec. 5, 1995**

[54] **ADJUSTABLE LIGHT FOR TROPHIES AND FIGURINES**

4,258,413 3/1981 Mausser 362/269 X

Primary Examiner—Susan J. Lucas

[76] Inventors: **Theodore J. Suwalkowski; Ruth A. Suwalkowski**, both of 875 Kinney Rd., Memphis, Mich. 48041

[57] **CLAIM**

The ornamental design for adjustable light for trophies and figurines, as shown and described.

[**] Term: **14 Years**

DESCRIPTION

[21] Appl. No.: **22,134**

FIG. 1 is a front elevational view of the adjustable light for trophies and figurines shown my new design;

[22] Filed: **May 2, 1994**

FIG. 2 is a rear elevational view thereof;

[52] U.S. Cl. **D26/63; D11/131**

FIG. 3 is a left side elevational view thereof;

[58] **Field of Search** **D26/60, 61, 63,**

FIG. 4 is a right side elevational view thereof;

D26/65, 93, 110; 362/269, 275, 285, 418,

FIG. 5 is a top plan view thereof;

419, 427, 410, 411, 413, 414; D11/131

FIG. 6 is a bottom plan view thereof; and,

[56] **References Cited**

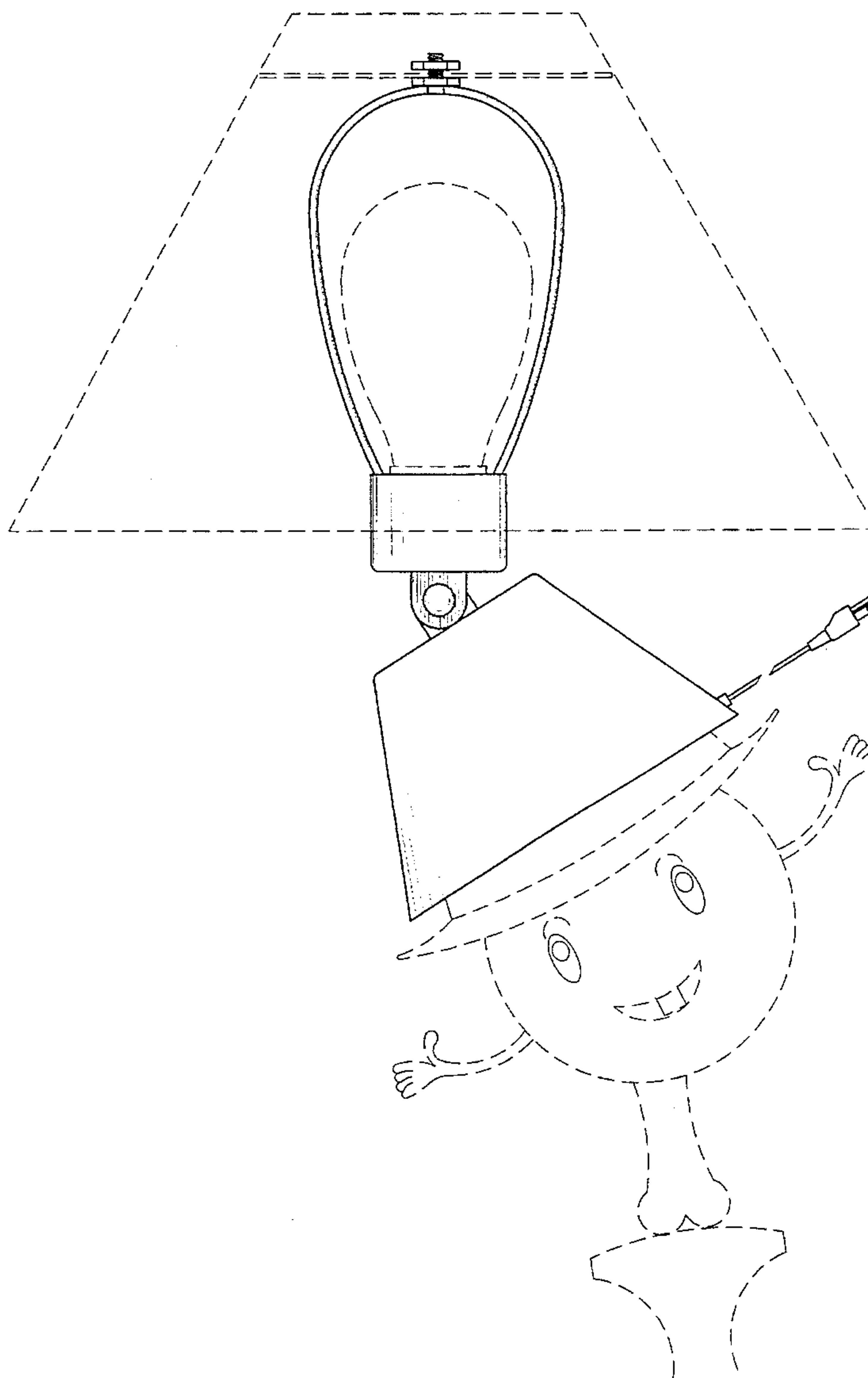
FIG. 7 is a front elevational view thereof with the lamp in an alternate position, with the bulb, shade, and figurine being shown in broken lines for illustrative purposes only.

U.S. PATENT DOCUMENTS

1,455,592 5/1923 Lent 362/413 X

1,686,551 10/1928 Carmichael 362/414 X

1 Claim, 4 Drawing Sheets



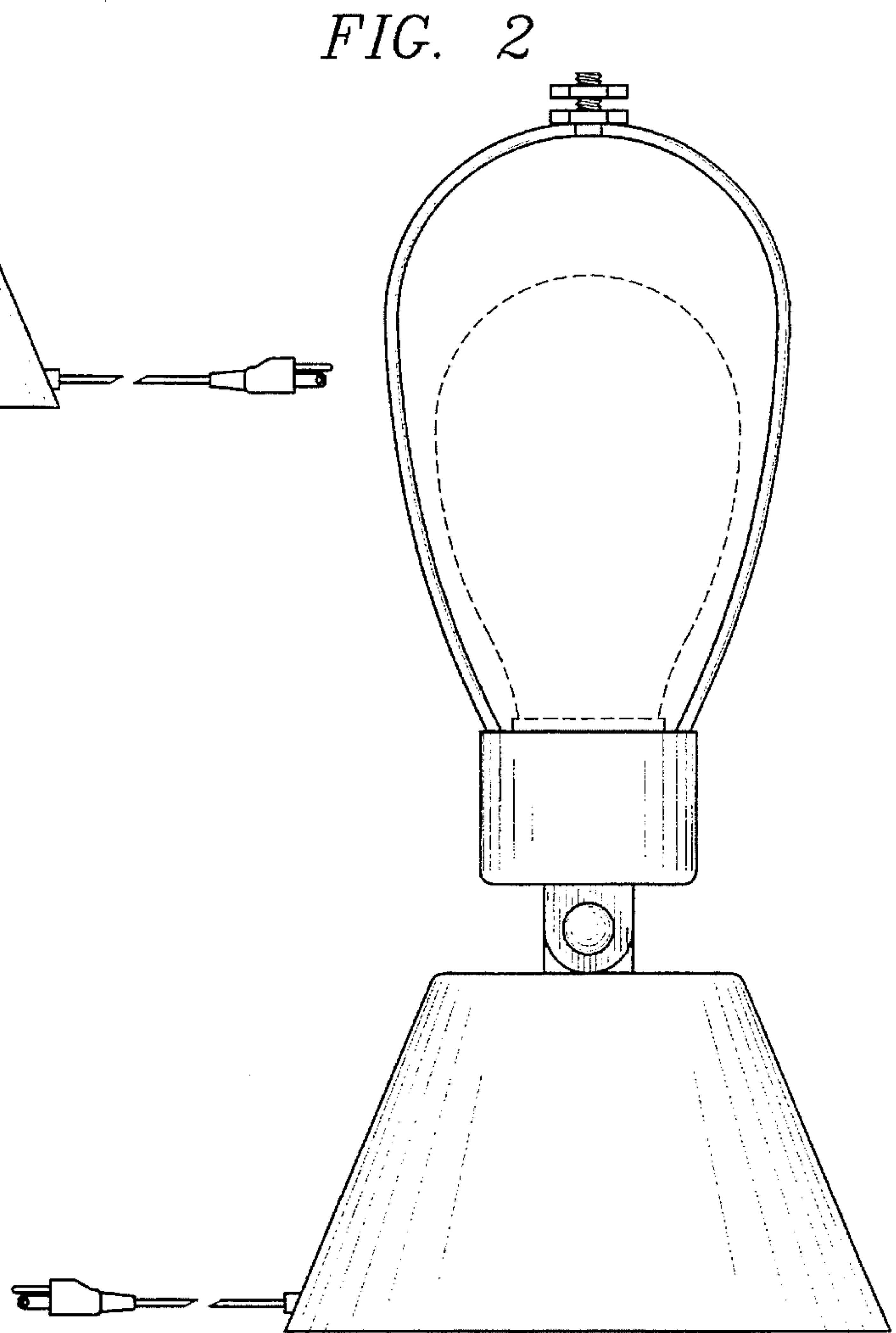
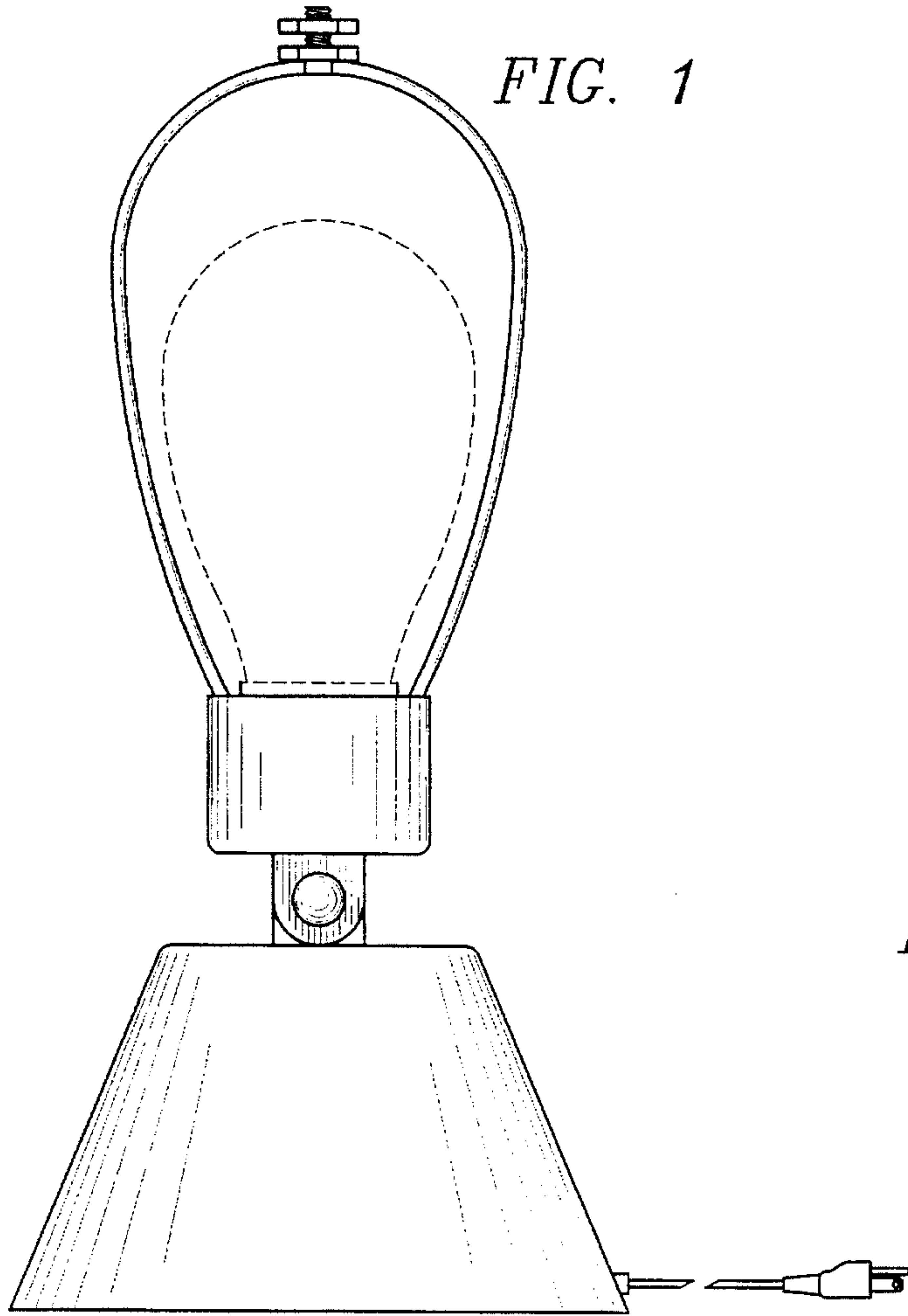


FIG. 3

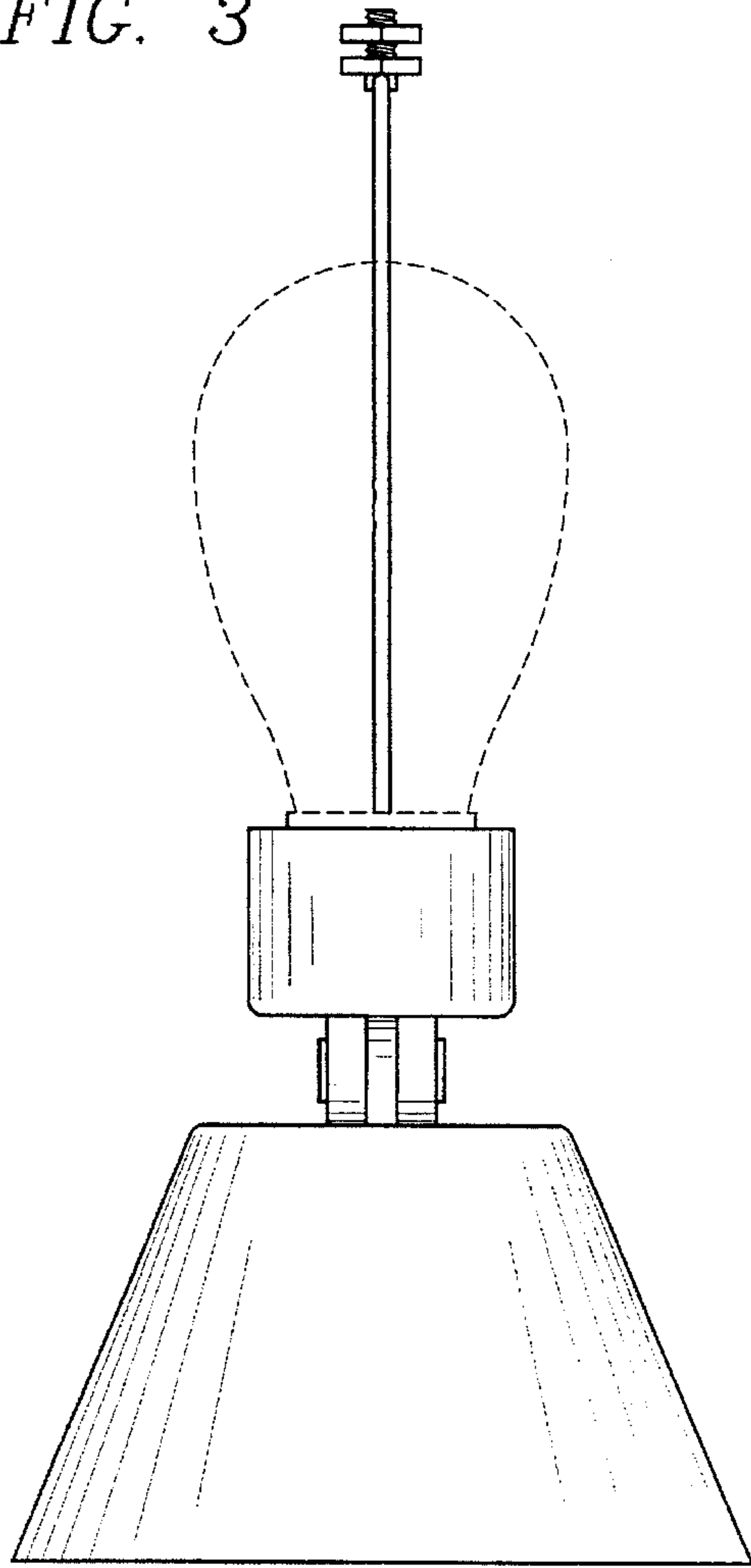


FIG. 4

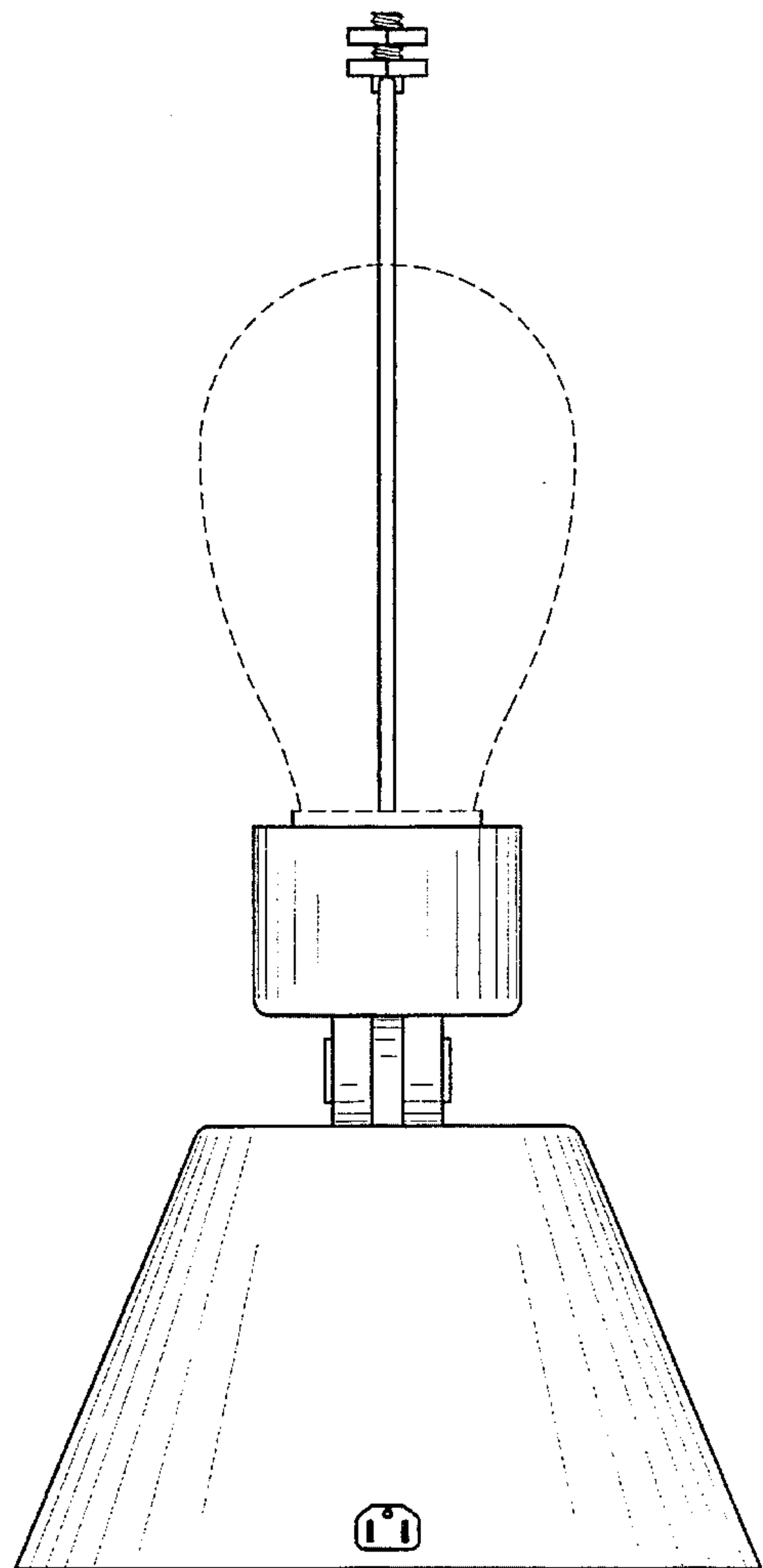


FIG. 5

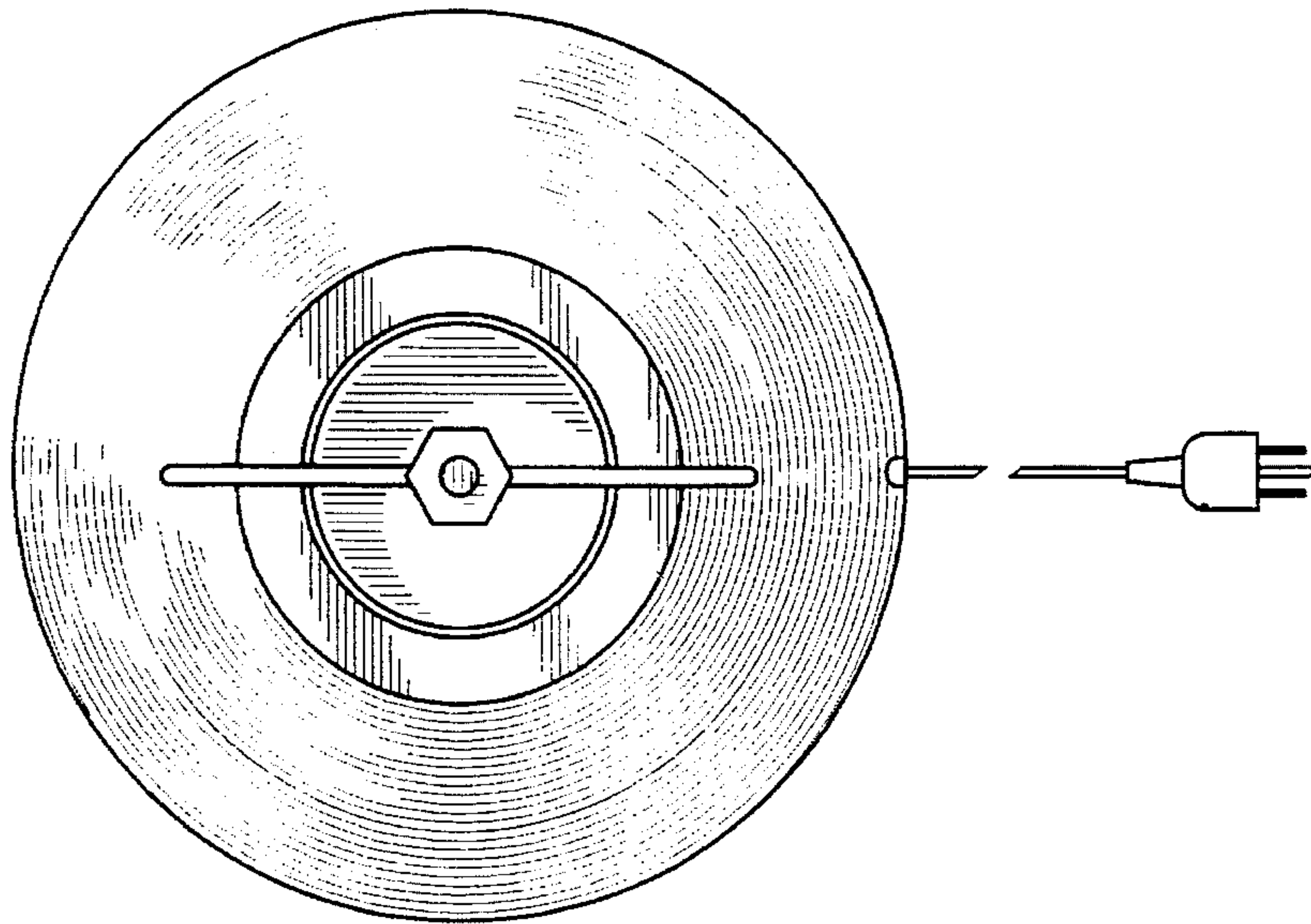


FIG. 6

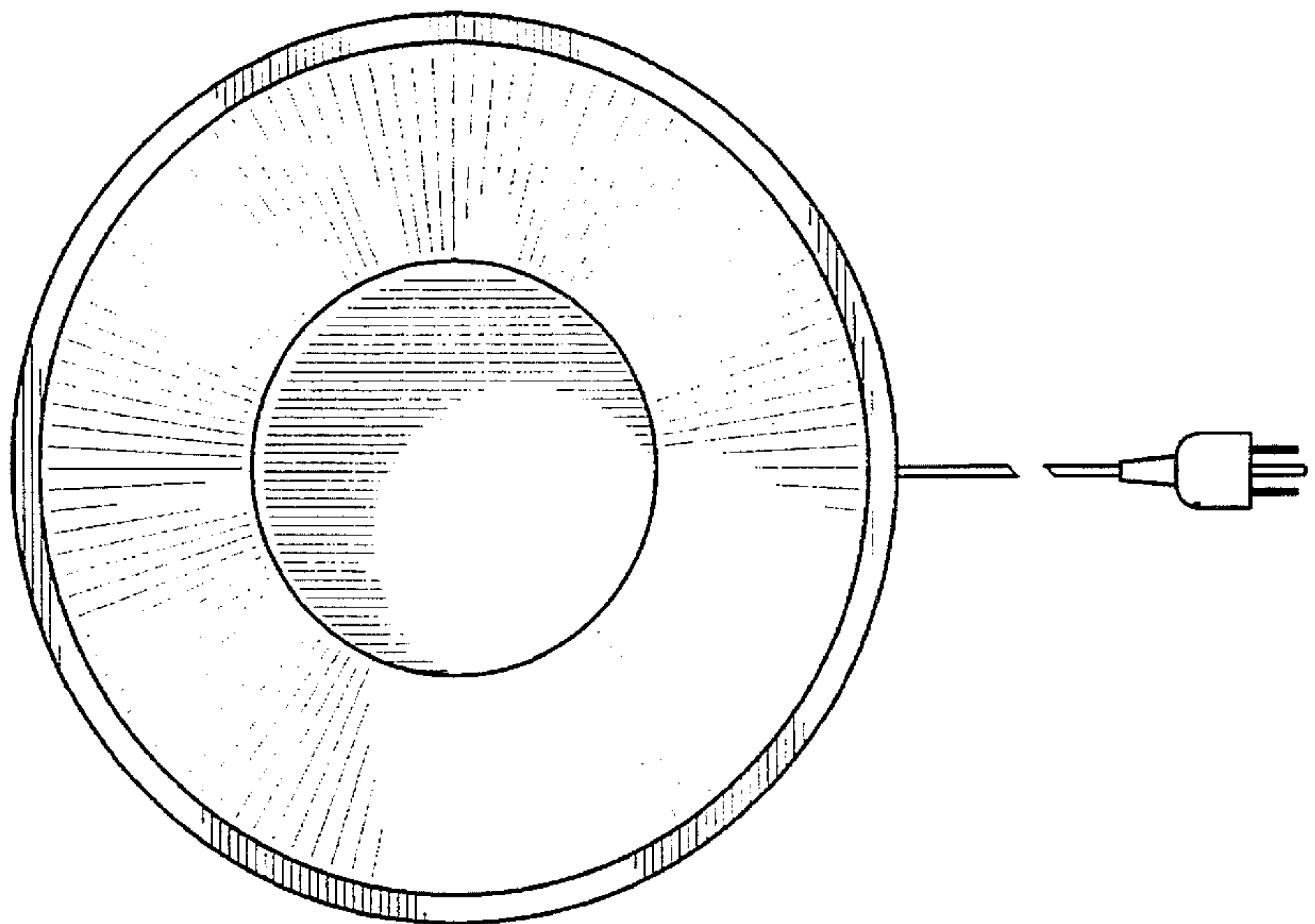


FIG. 7

