



US00D364936S

United States Patent [19]

Leung

[11] Patent Number: **Des. 364,936**

[45] Date of Patent: ****Dec. 5, 1995**

[54] **MULTIPURPOSE LANTERN WITH ADJUSTABLE SPOTLIGHT AND FLUORESCENT LIGHT**

[75] Inventor: **Chung-Kwan Leung, Wang Lung, Hong Kong**

[73] Assignee: **Foster Industries Co. Ltd., Hong Kong**

[**] Term: **14 Years**

[21] Appl. No.: **17,439**

[22] Filed: **Jan. 13, 1994**

[30] **Foreign Application Priority Data**

Jul. 16, 1993 [GB] United Kingdom 2032402

[52] U.S. Cl. **D26/44; D26/42**

[58] Field of Search D26/37-50; 362/157, 362/158, 183, 184, 187-191, 196-200, 202

[56] **References Cited**

U.S. PATENT DOCUMENTS

D. 297,372 8/1988 Poon D26/42 X

D. 316,455 4/1991 Krol D26/44
D. 328,144 7/1992 Yuen D26/44
D. 335,715 5/1993 Wan D26/44

Primary Examiner—Susan J. Lucas
Attorney, Agent, or Firm—Samuels, Gauthier & Stevens

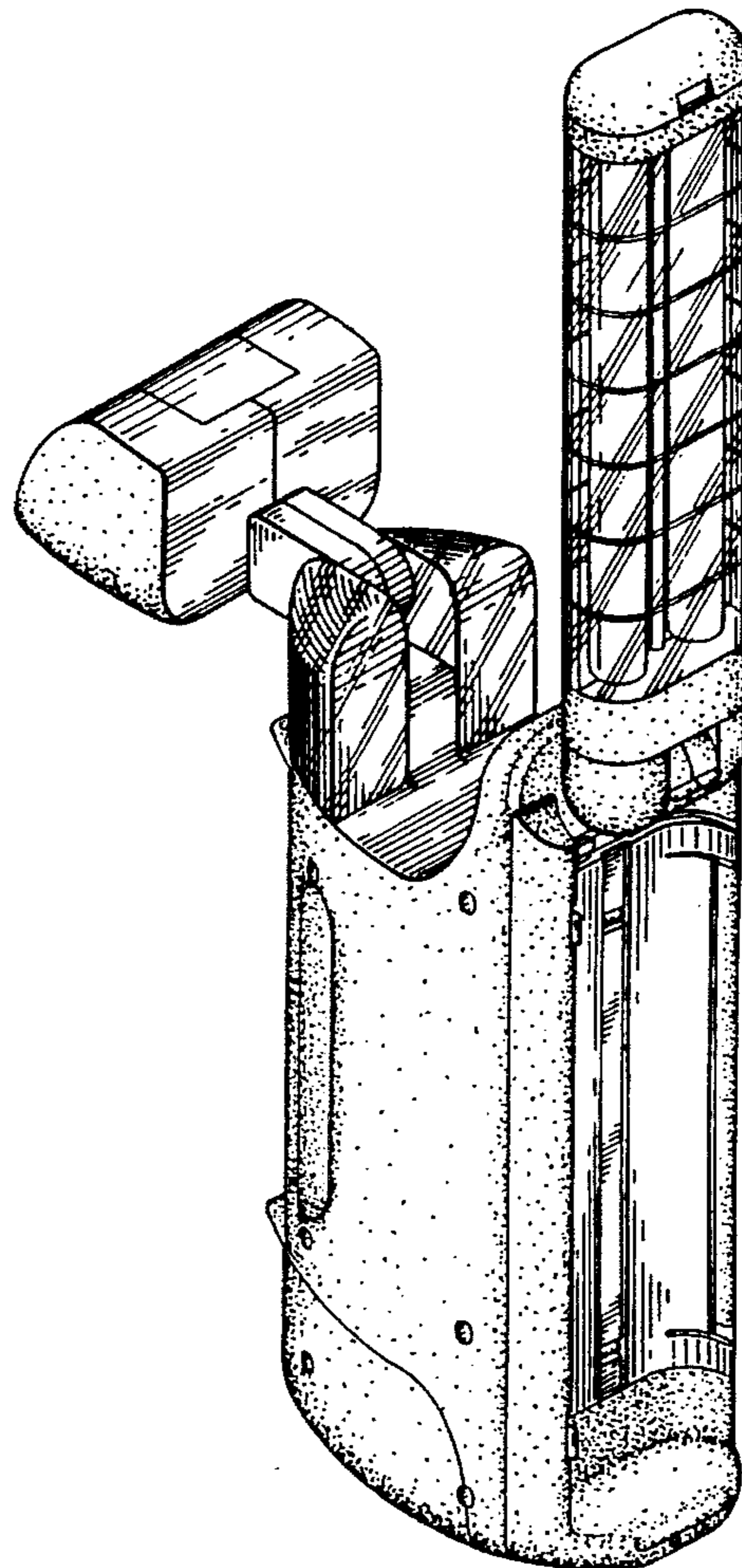
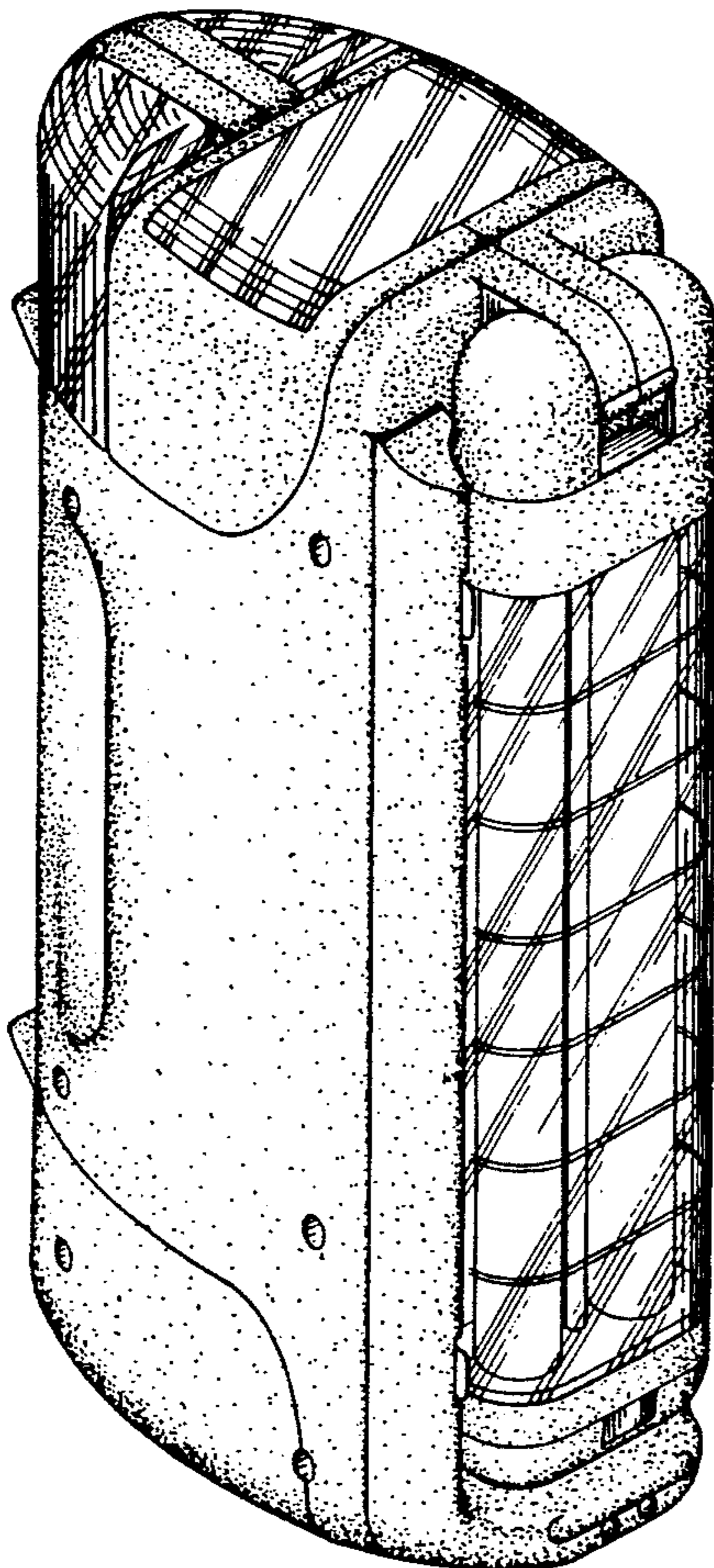
[57] **CLAIM**

The ornamental design for a multipurpose lantern with adjustable spotlight and fluorescent light, as shown and described.

DESCRIPTION

FIG. 1 is the front elevational view showing my new design; FIG. 2 is the rear elevational view thereof; FIG. 3 is the left side view thereof; FIG. 4 is the right side view thereof; FIG. 5 is the top plan view thereof; FIG. 6 is the bottom view thereof; FIG. 7 is the perspective view from left bottom and rear thereof; FIG. 8 is the perspective view from right top and front thereof; and, FIG. 9 is the perspective view from right, top and front with spotlight and fluorescent light tilted up 180 degree.

1 Claim, 6 Drawing Sheets



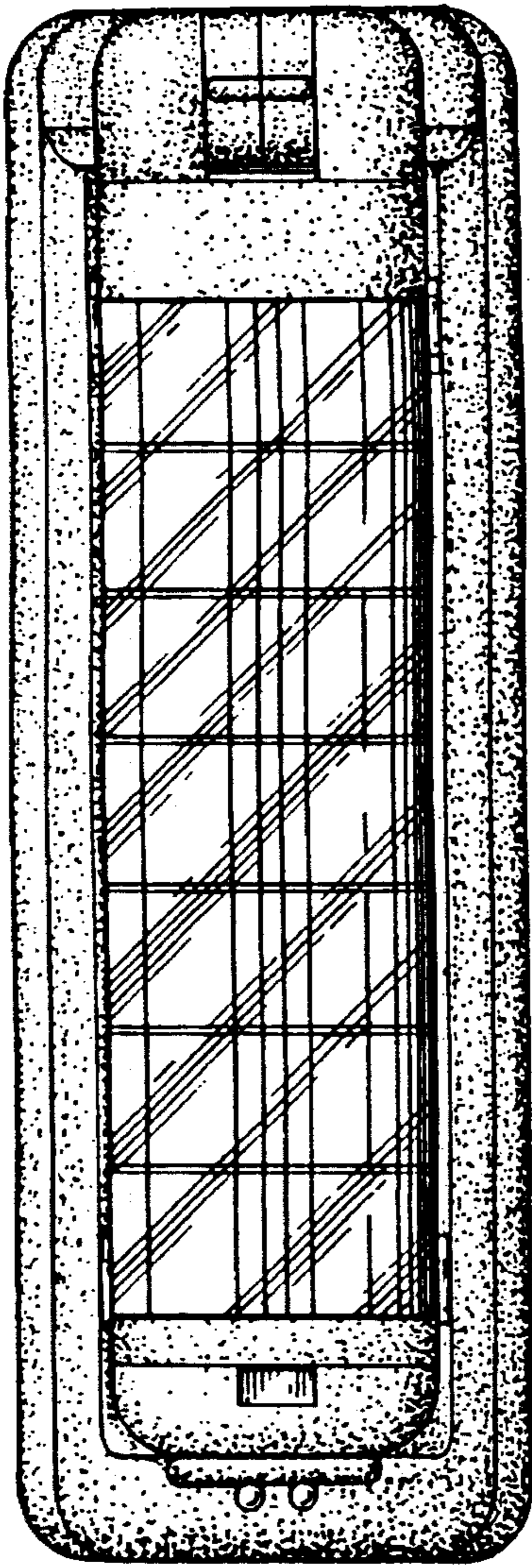


FIG. 1

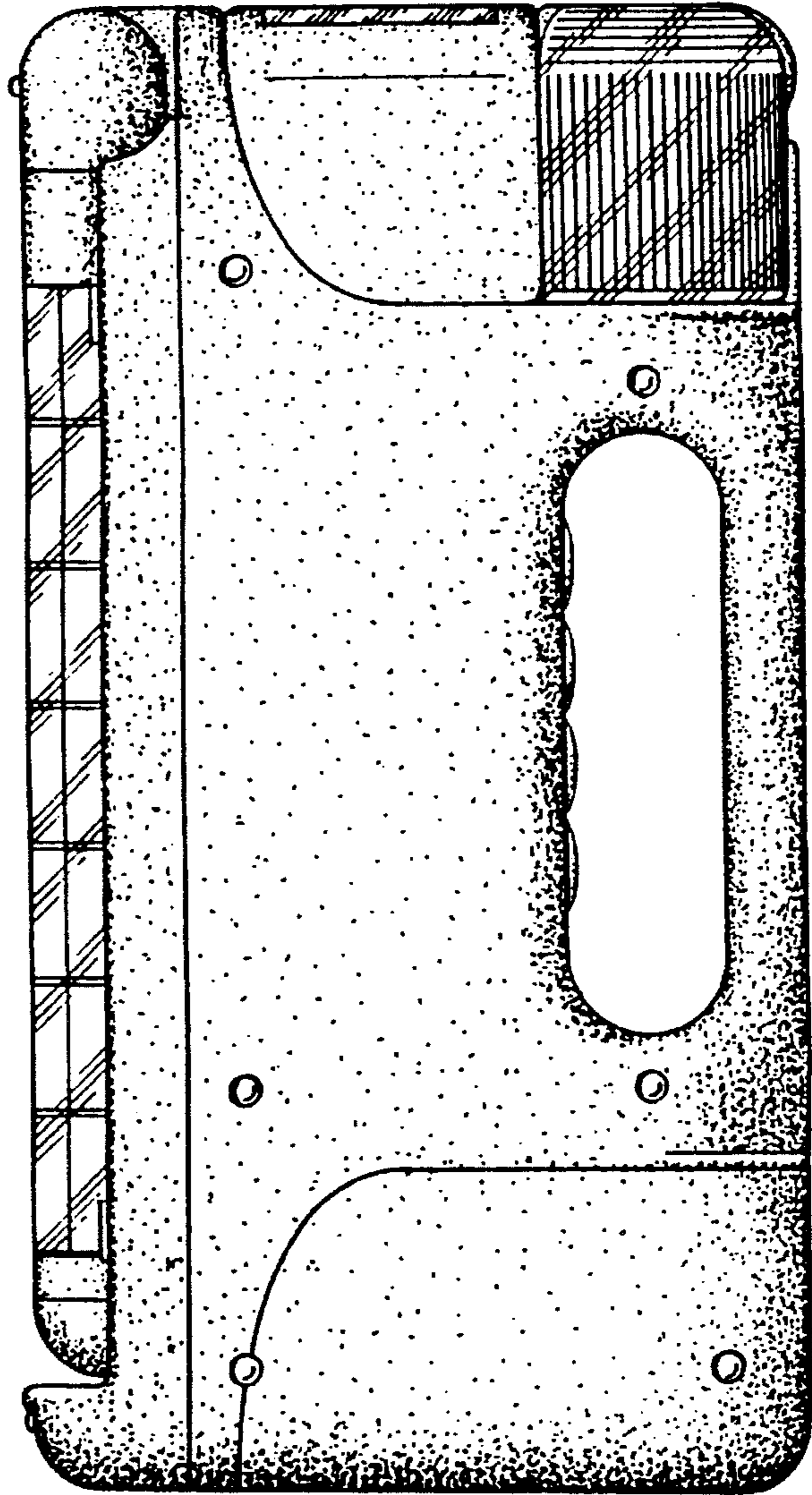


FIG. 4

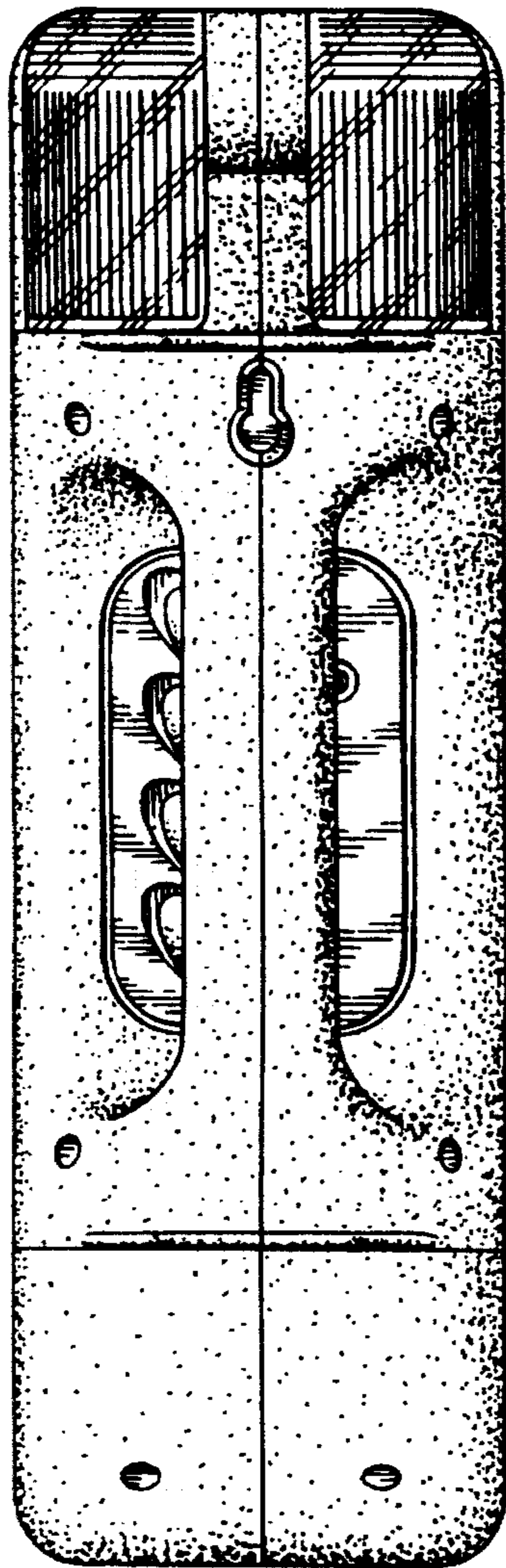


FIG. 2

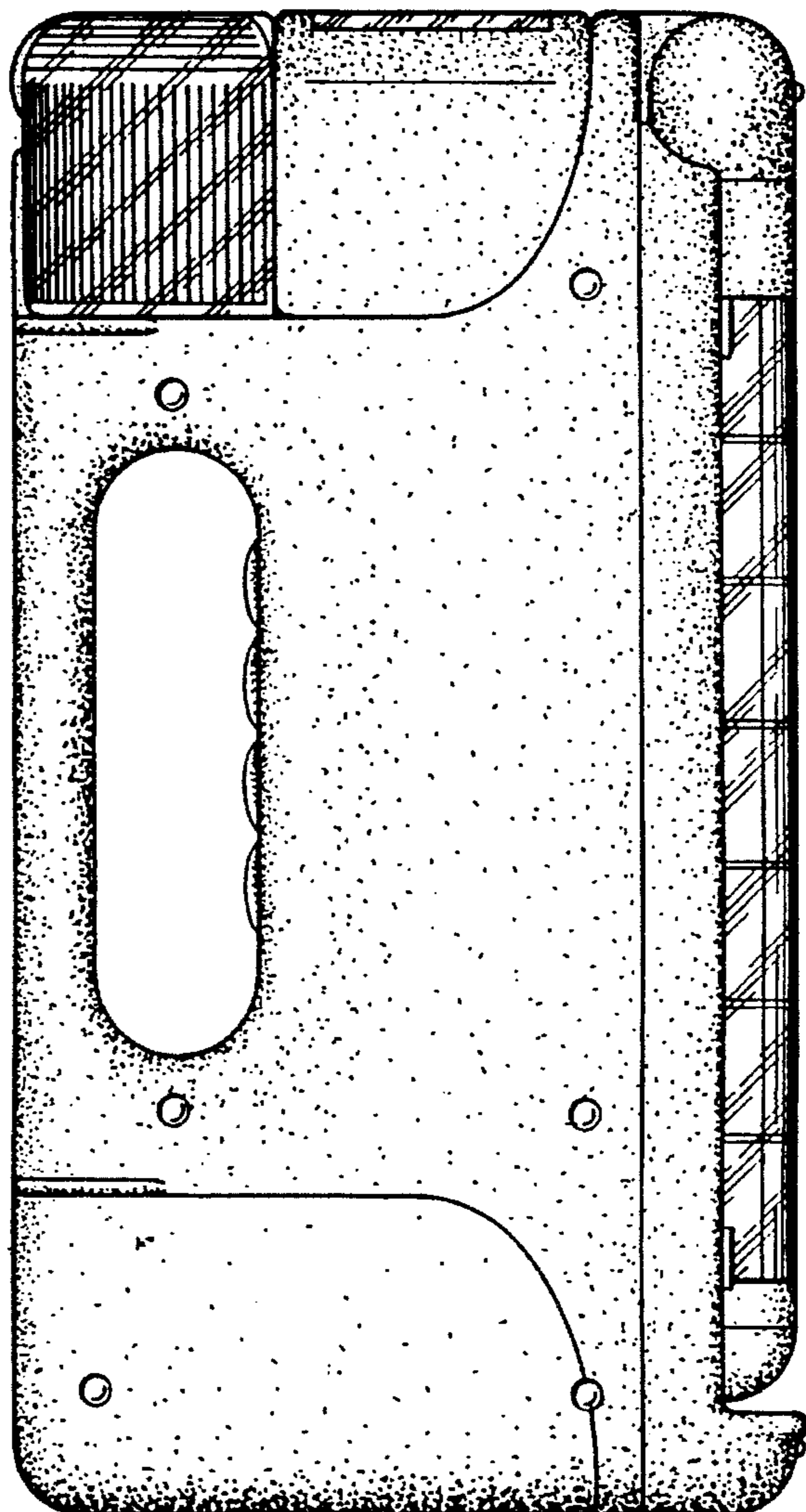


FIG. 3

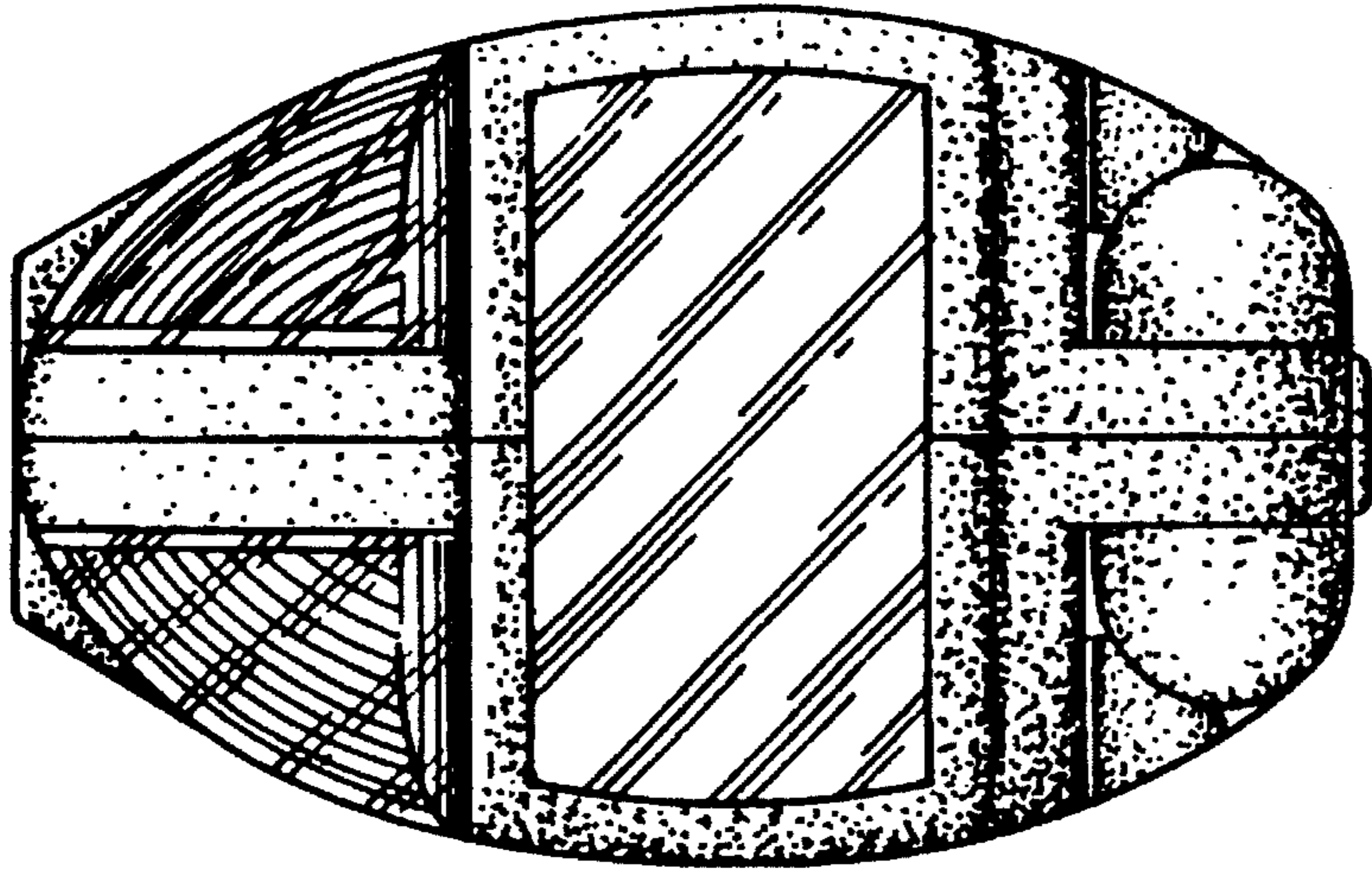


FIG. 5

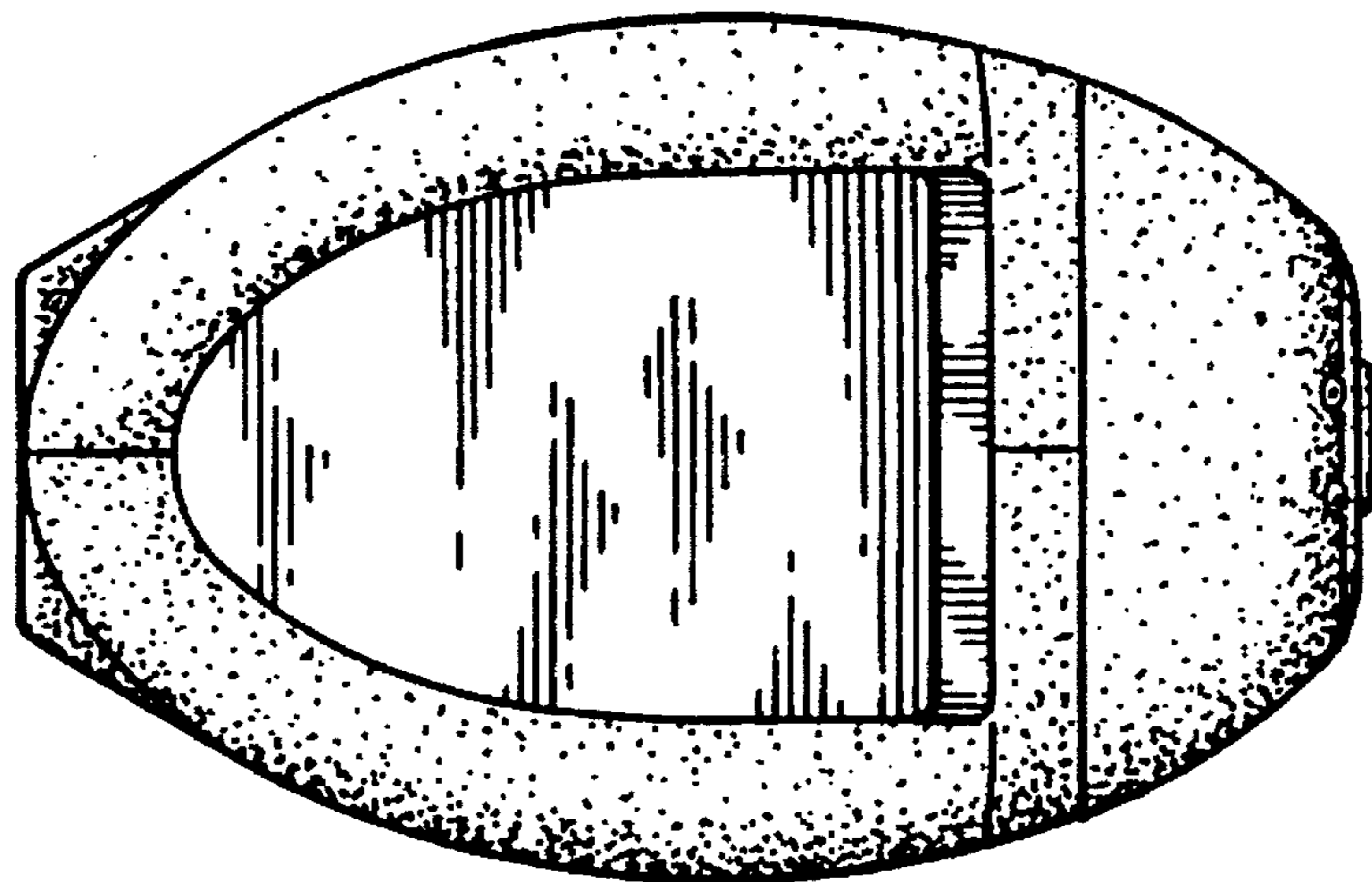


FIG. 6

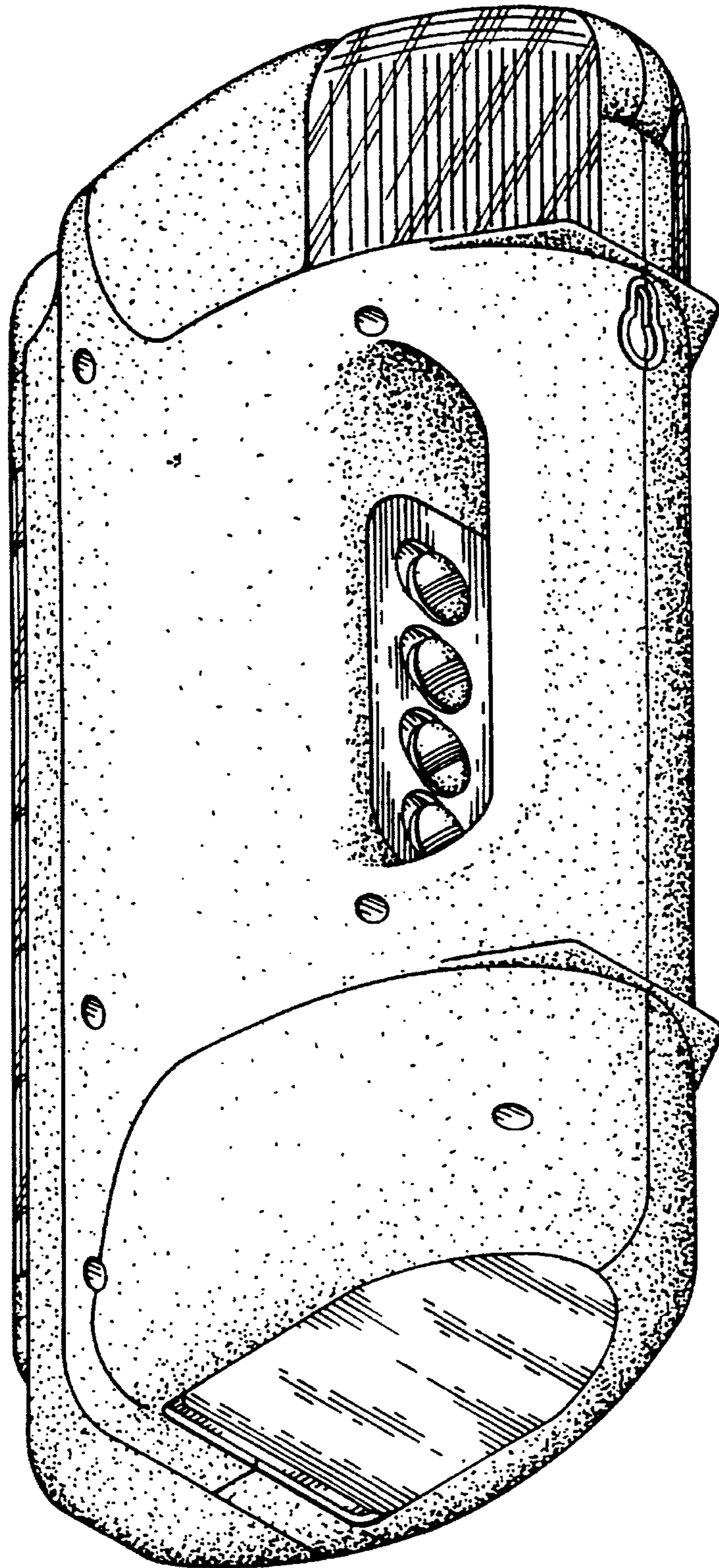


FIG. 7

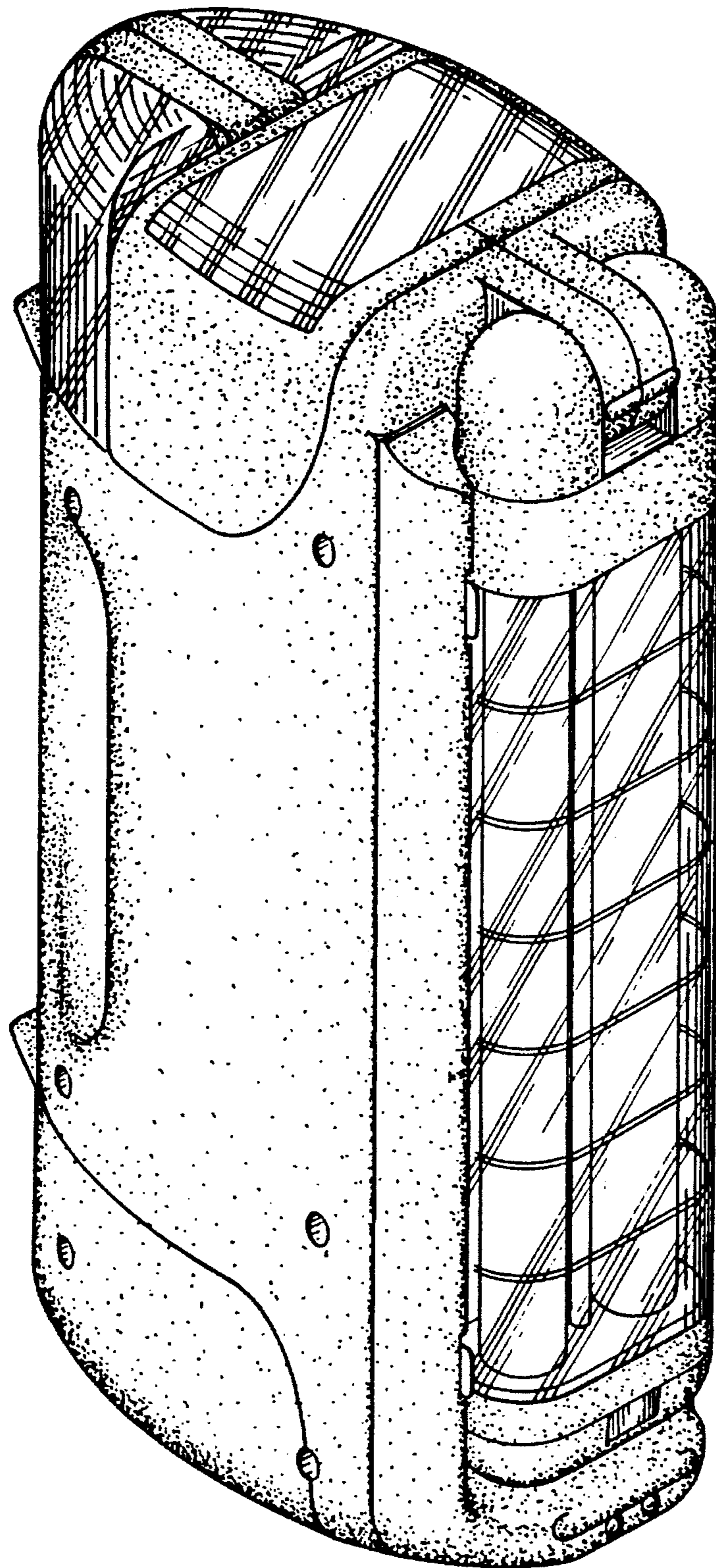


FIG. 8

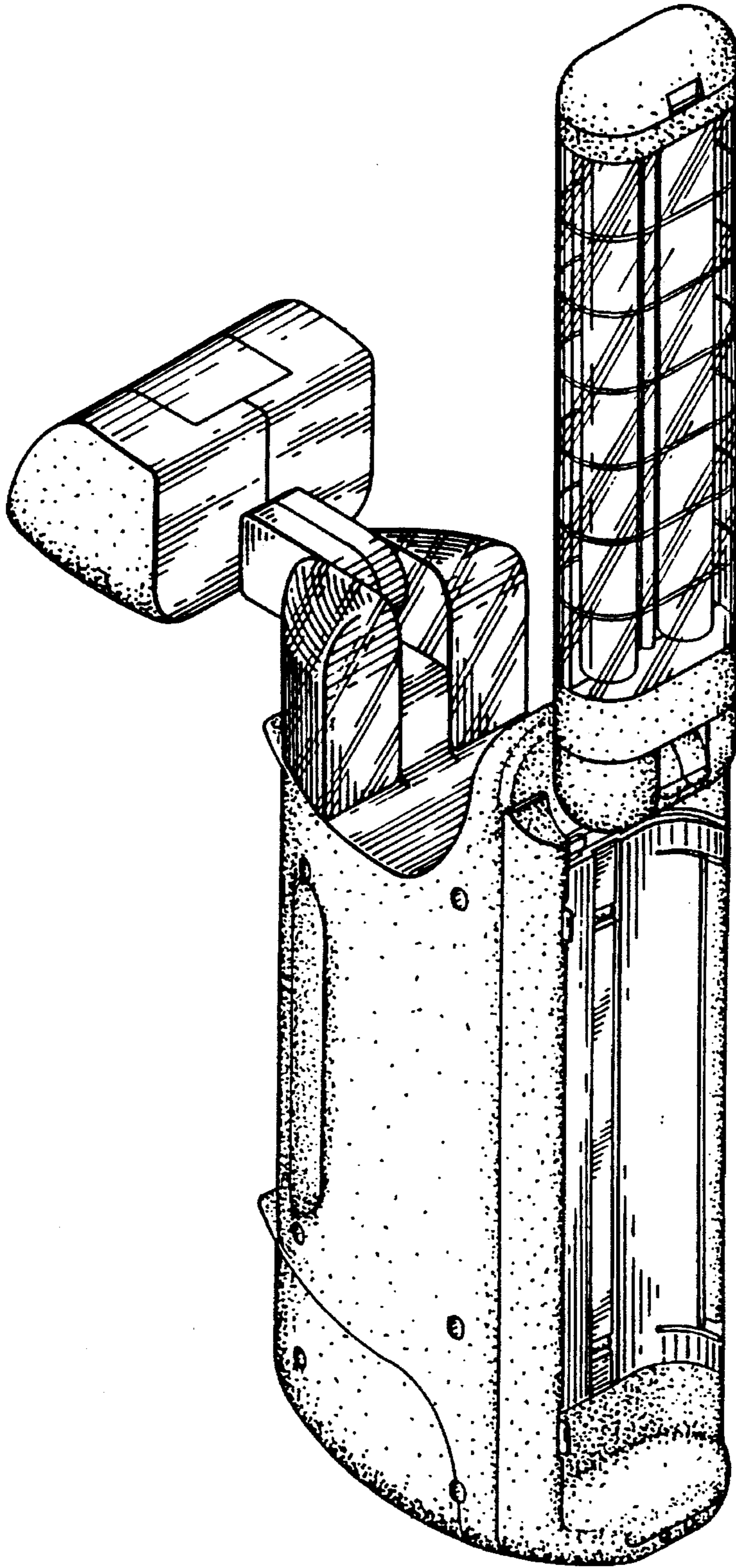


FIG. 9