



US00D364930S

United States Patent [19]

Burge et al.

[11] Patent Number: **Des. 364,930**

[45] Date of Patent: ****Dec. 5, 1995**

[54] LADDER EXTENSION

5,339,920 8/1994 Eriksson D25/64

[76] Inventors: **Arthur Burge**, 88 Jefferson Ave.,
Everett, Mass. 02149; **John Gray**, 53
Pine St., Mansfield, Mass. 02048

Primary Examiner—Doris Clark
Attorney, Agent, or Firm—Gary E. Lambert; Scott B. Gar-
rison

[**] Term: **14 Years**

[57] **CLAIM**

[21] Appl. No.: **32,694**

The ornamental design for a ladder extension, as shown and
described.

[22] Filed: **Dec. 23, 1994**

[52] U.S. Cl. **D25/68**

[58] Field of Search D25/64, 68; 182/201,
182/202, 203, 207, 208

DESCRIPTION

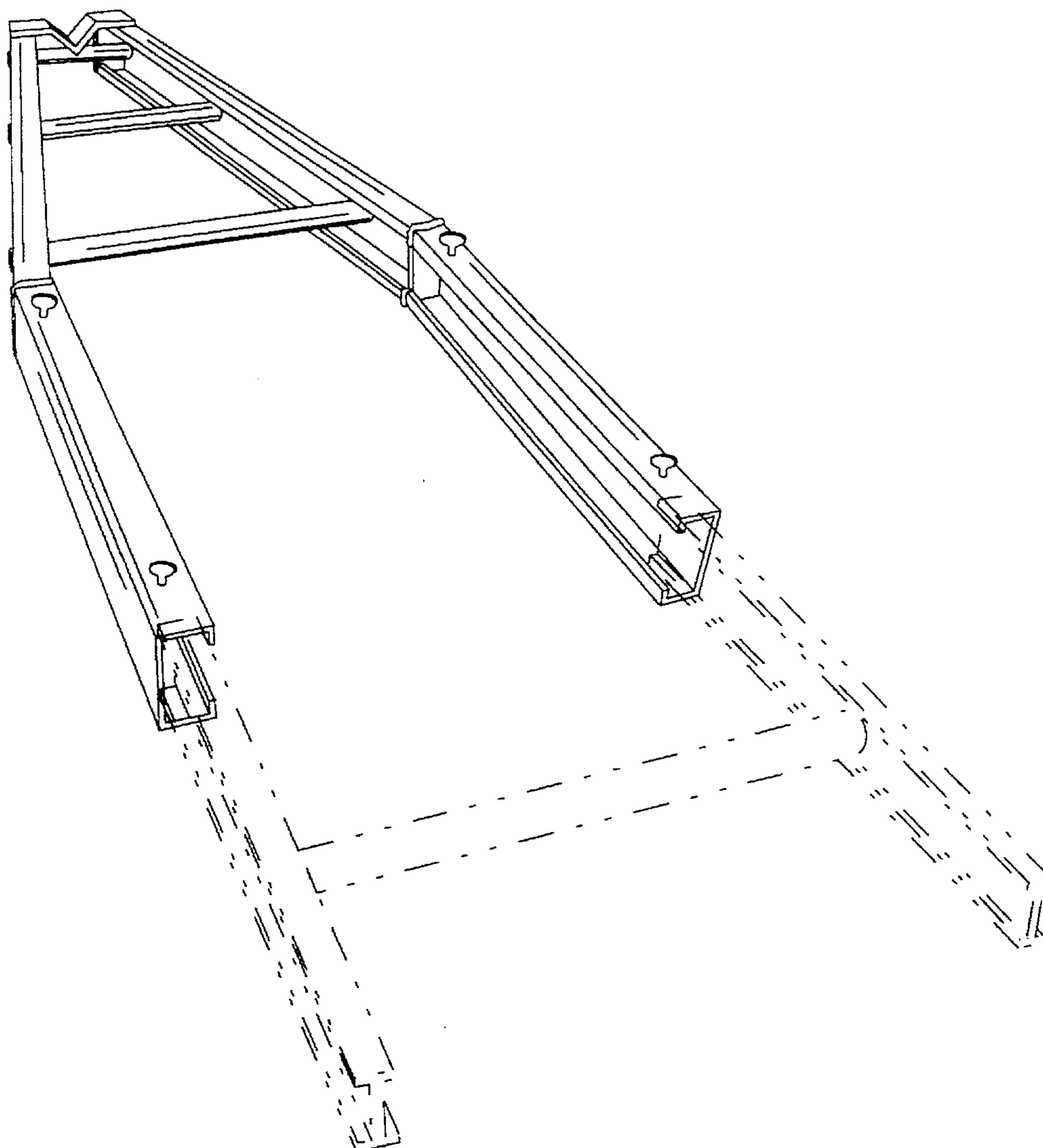
FIG. 1 is a front elevational view of a ladder extension, the
broken lines showing a ladder is for illustrative purposes
only and forms not part of the claimed design;
FIG. 2 is a top plan view thereof;
FIG. 3 is a right side view thereof;
FIG. 4 is a rear view thereof; and,
FIG. 5 is a front view thereof.

[56] References Cited

U.S. PATENT DOCUMENTS

2,503,626	4/1950	Mayberry	182/201
3,948,353	4/1976	Lane	182/107
5,027,923	7/1991	Derome	182/201

1 Claim, 1 Drawing Sheet



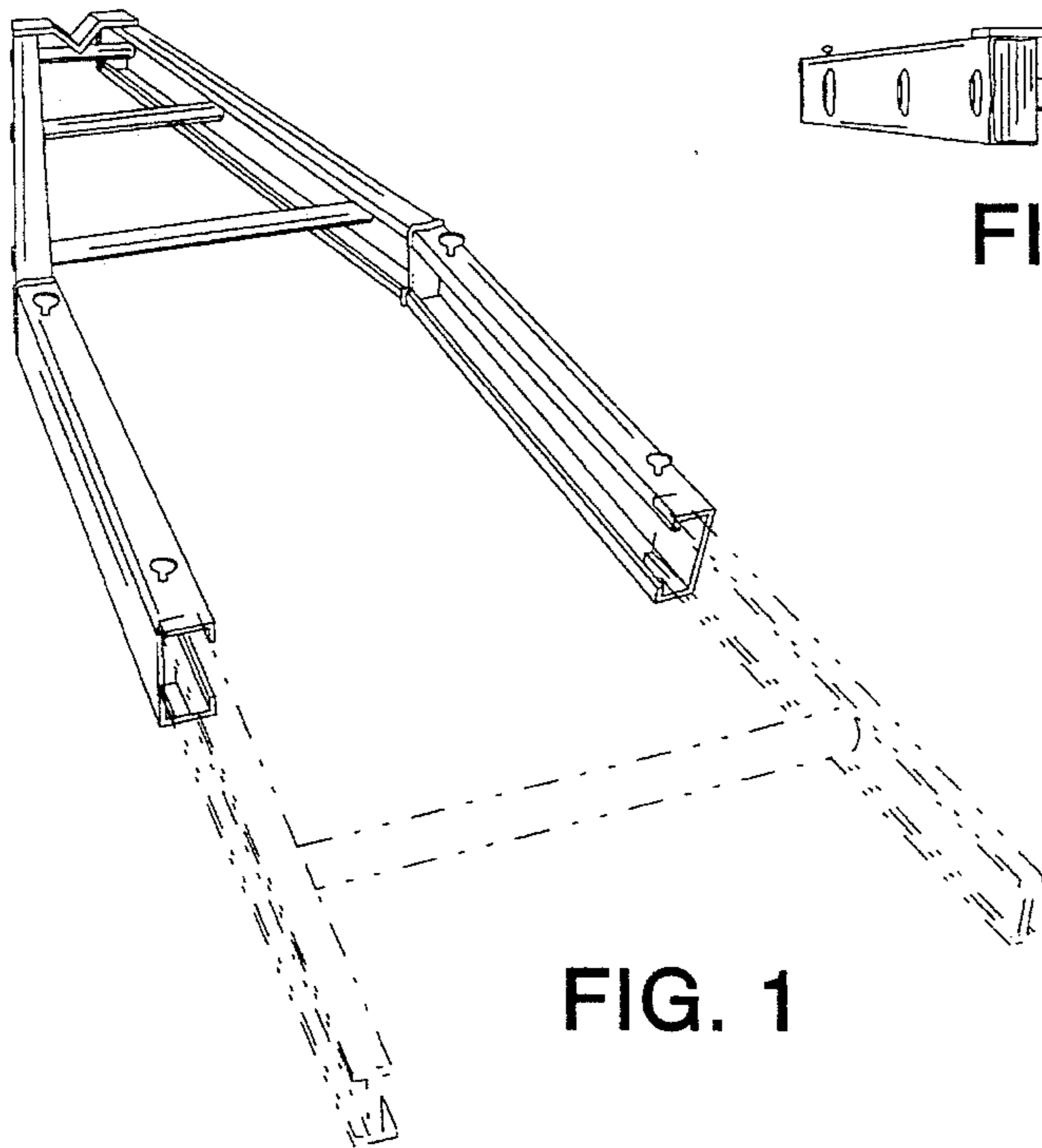


FIG. 1

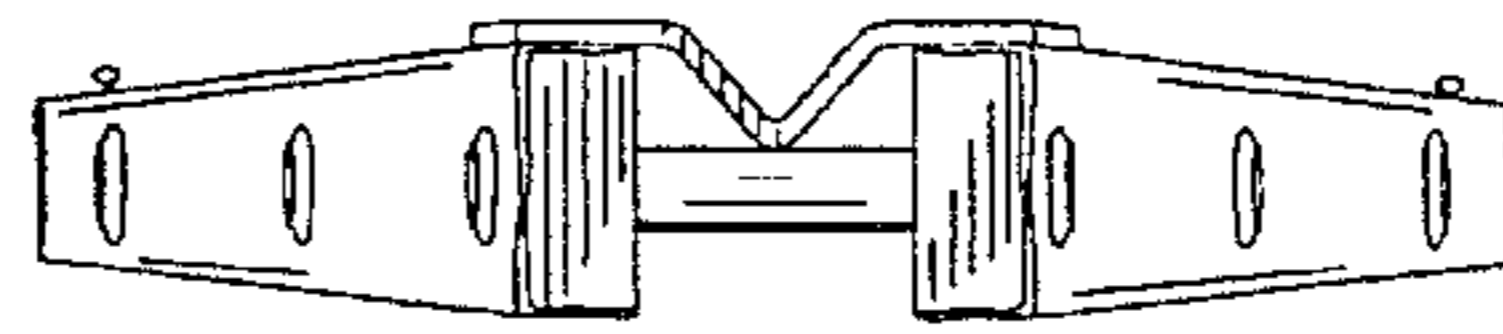


FIG. 2

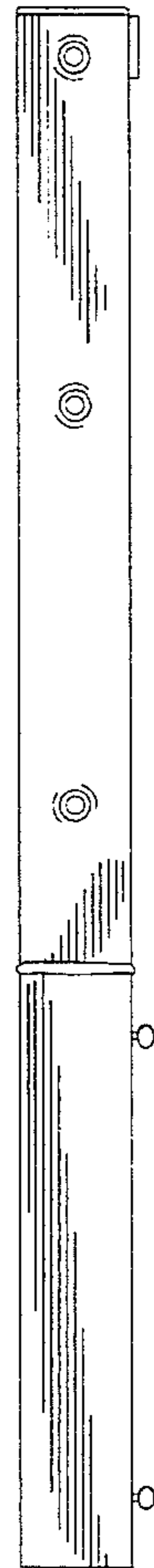


FIG. 3

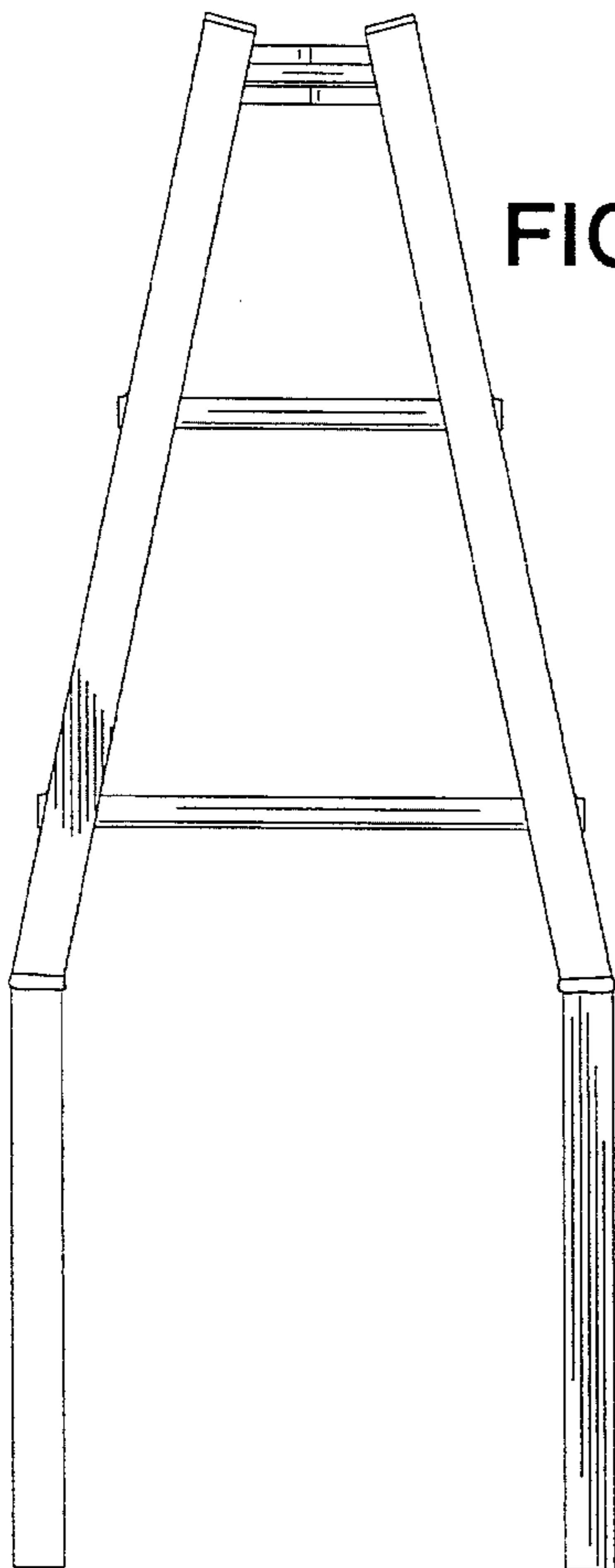


FIG. 4

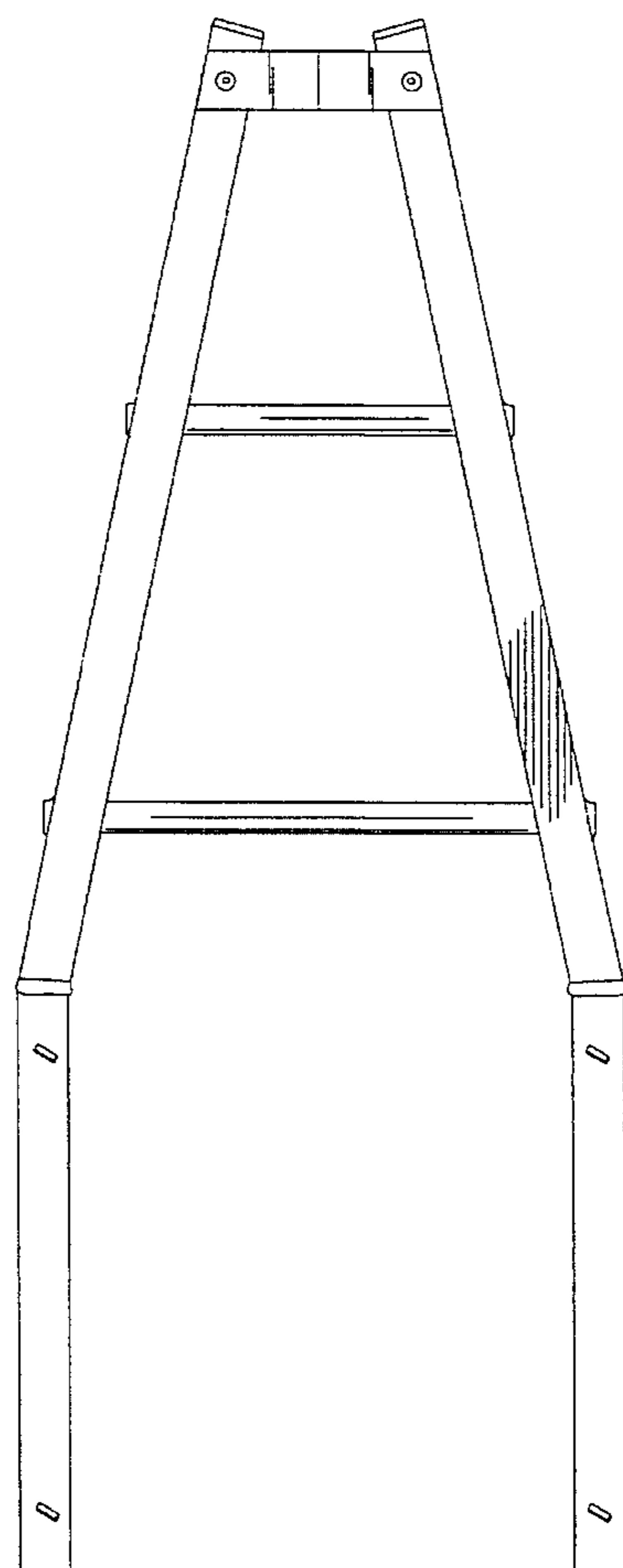


FIG. 5