



US00D364927S

United States Patent [19]

Murakami et al.

[11] Patent Number: **Des. 364,927**

[45] Date of Patent: ****Dec. 5, 1995**

[54] **GAMMA CAMERA**

843687 5/1993 Japan .

[75] Inventors: **Makoto Murakami; Takahisa Yoneyama**, both of Yokohama; **Tadashi Kurokawa**, Kawasaki, all of Japan

[73] Assignee: **Kabushiki Kaisha Toshiba**, Kawasaki, Japan

[**] Term: **14 Years**

[21] Appl. No.: **22,045**

[22] Filed: **Apr. 28, 1994**

[30] Foreign Application Priority Data

Oct. 27, 1993 [JP] Japan 5-32611

[52] U.S. Cl. **D24/159**

[58] Field of Search D24/158, 159; 378/4, 17, 19, 20

[56] References Cited

U.S. PATENT DOCUMENTS

D. 345,606	3/1994	Perusek	D24/159
D. 347,063	5/1994	Ariyoshi et al.	D24/159
D. 355,719	2/1995	Murakami et al.	D24/159
4,093,860	6/1978	Kelman et al.	D24/159 X
4,538,289	8/1985	Scheibengraber	378/20
4,916,718	4/1990	Manring	D24/159 X
5,097,131	3/1992	Plummer et al.	D24/159 X

FOREIGN PATENT DOCUMENTS

657204 7/1985 Japan .

OTHER PUBLICATIONS

Shimazu Catalog Prism-2000, Apr. 1993, p. 81.
Shimazu Catalog SNC-5100R, Apr. 1993, p. 79.
Hitachi Catalog RC-2600I, Apr. 1993, p. 84.

Primary Examiner—Stella Reid
Attorney, Agent, or Firm—Oblon, Spivak, McClelland, Maier, & Neustadt

[57] CLAIM

The ornamental design for a gamma camera, as shown and described.

DESCRIPTION

FIG. 1 is a front, top and left side perspective view of a gamma camera, showing our new design; FIG. 2 is a front elevational view thereof; FIG. 3 is a top plan view thereof; FIG. 4 is a left side elevational view thereof; FIG. 5 is a right side elevational view thereof; FIG. 6 is a rear elevational view thereof; FIG. 7 is a bottom plan view thereof; FIG. 8 is a left side elevational view showing the gamma camera with a detection surface set to the front side; and, FIG. 9 is a perspective view thereof, in use condition, the broken line showing is for illustrative purposes only and forms no part of the claimed design.

1 Claim, 4 Drawing Sheets

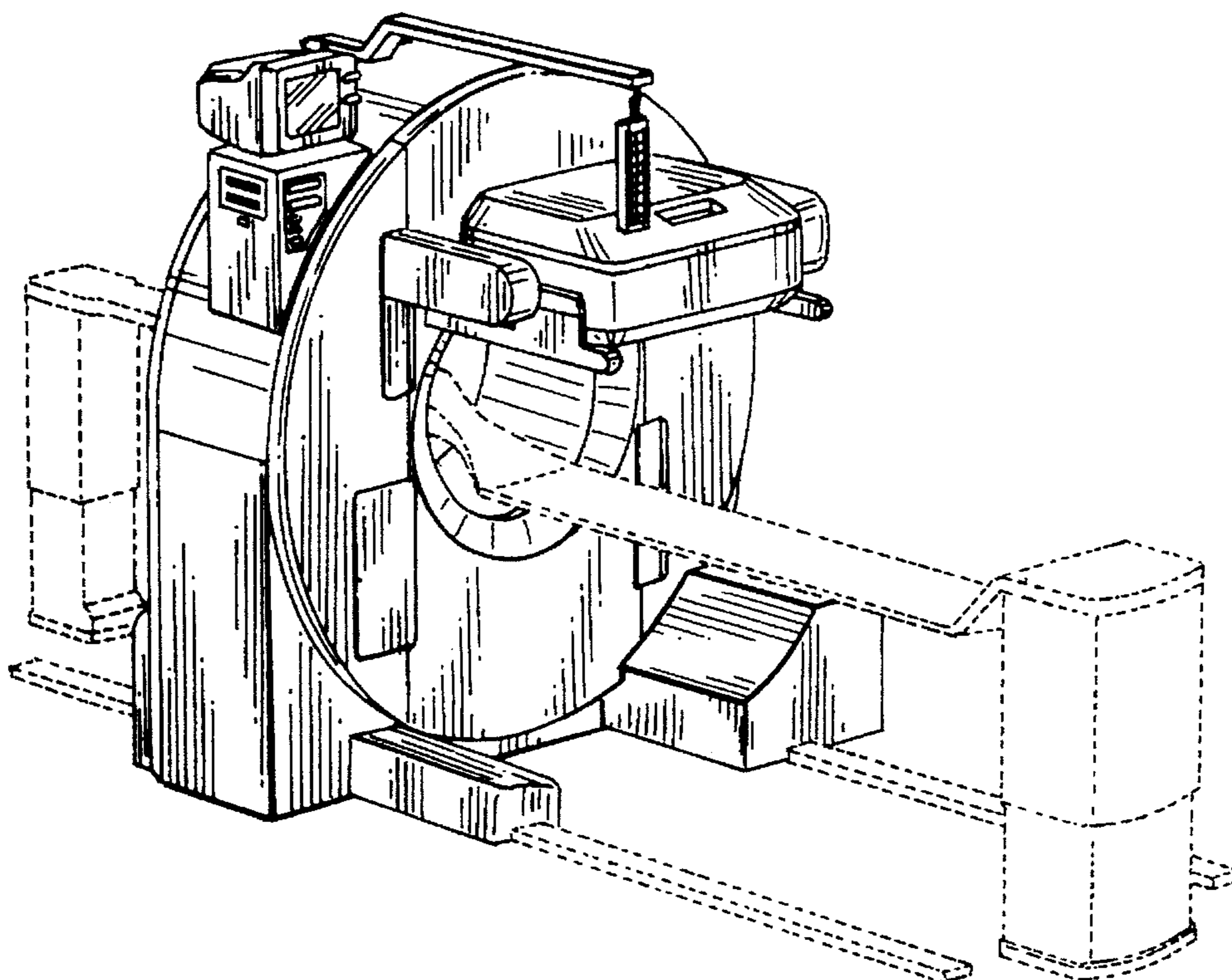


FIG. 1

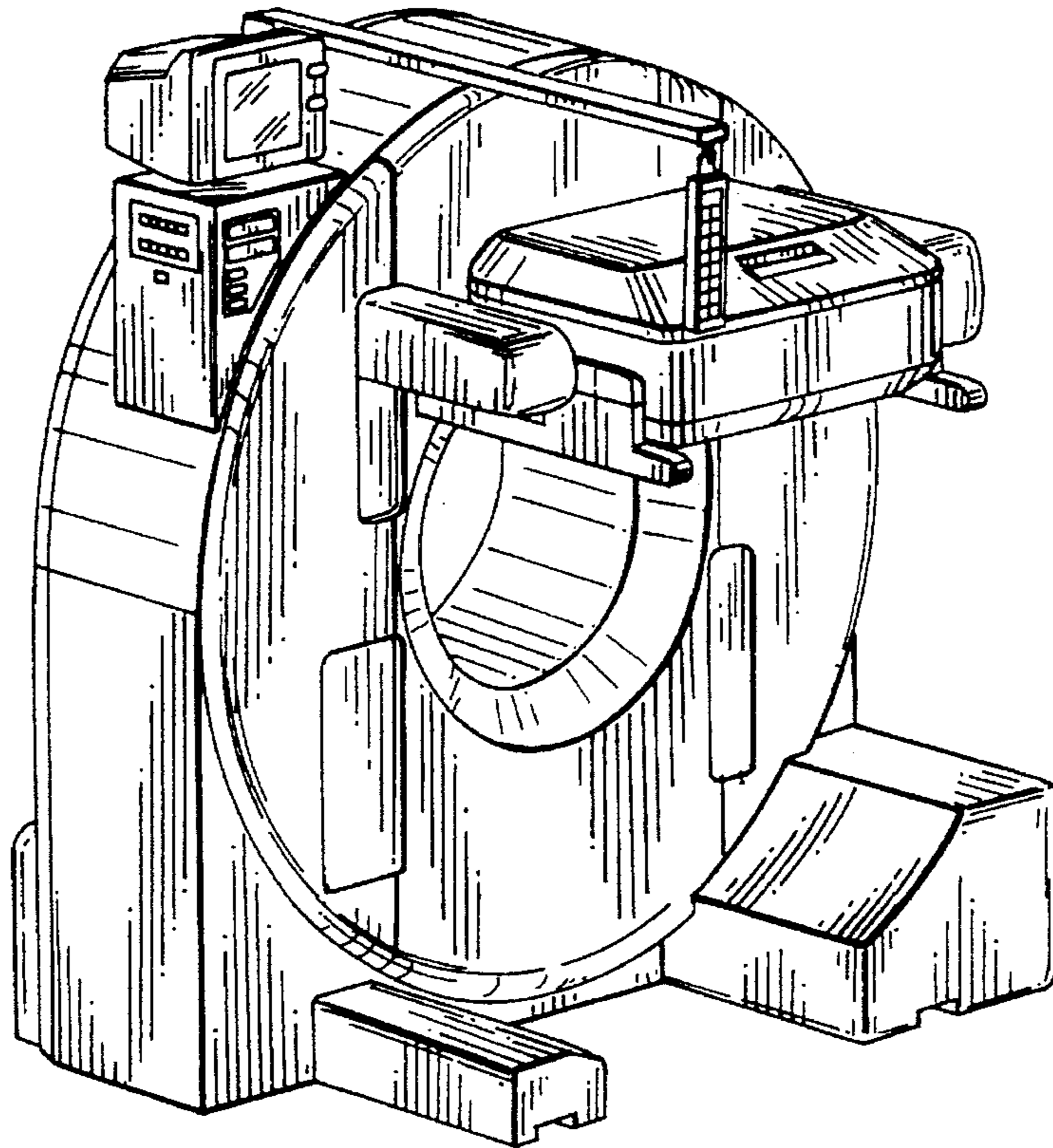


FIG. 2

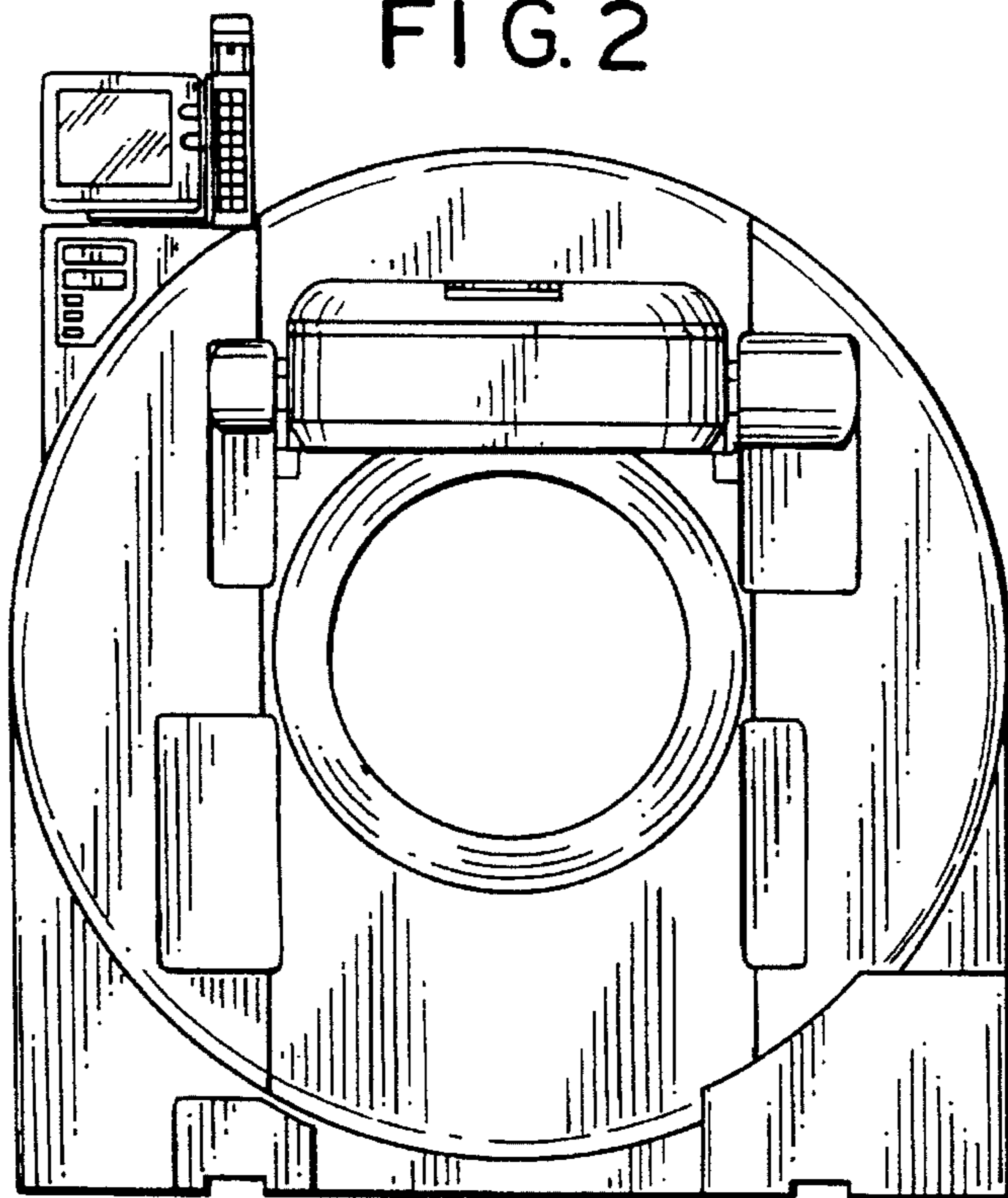


FIG. 3

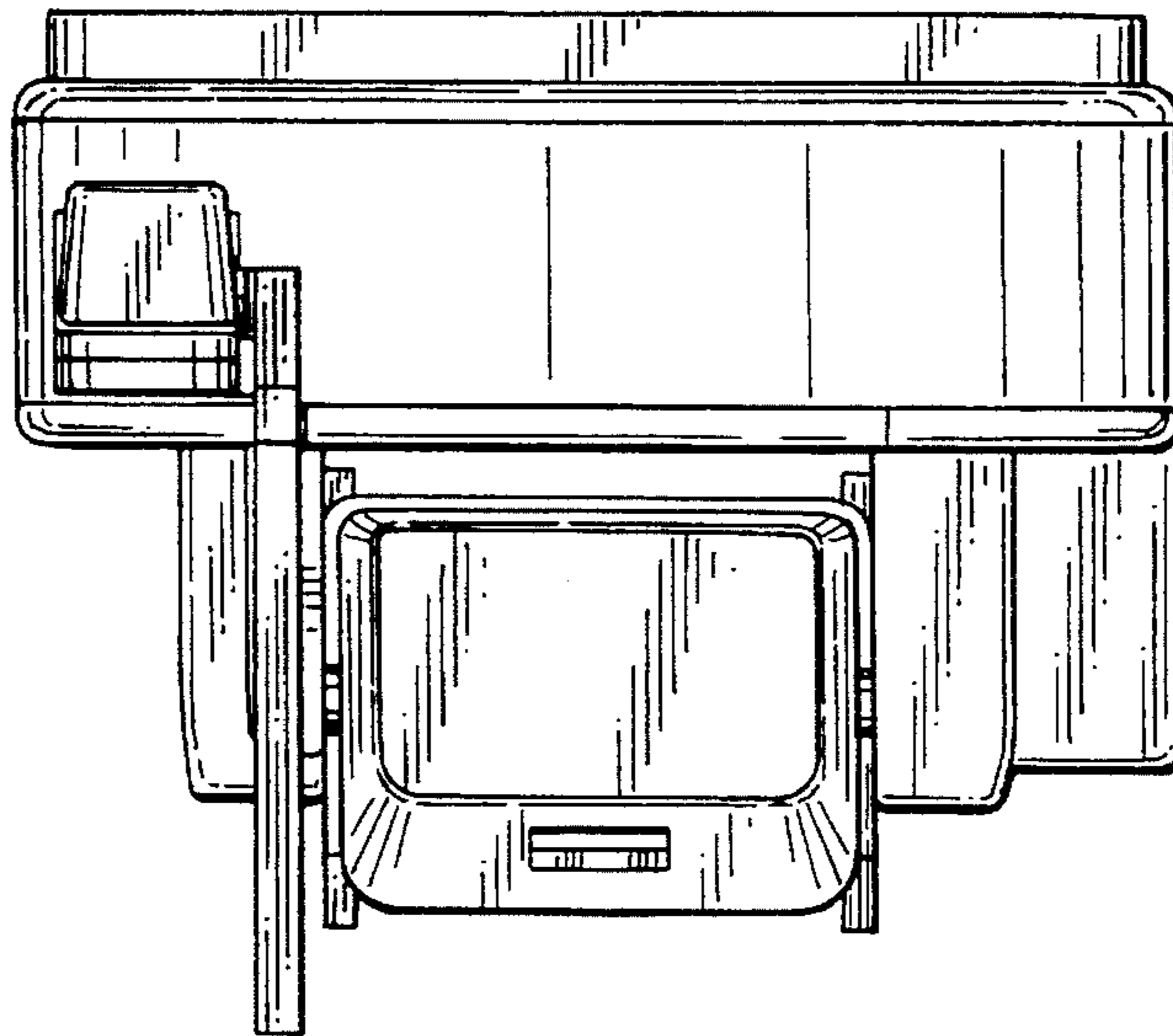


FIG. 4

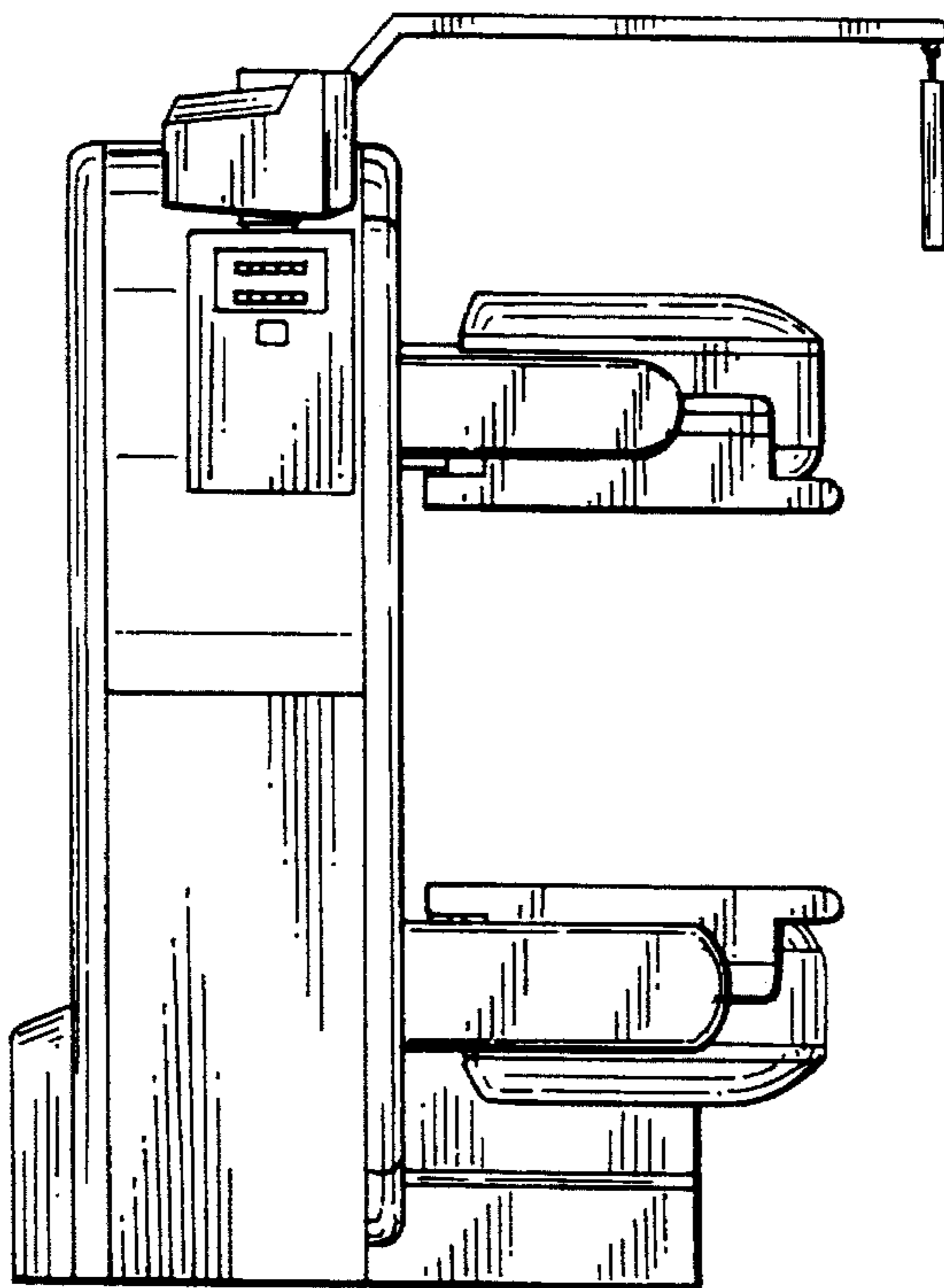


FIG. 5

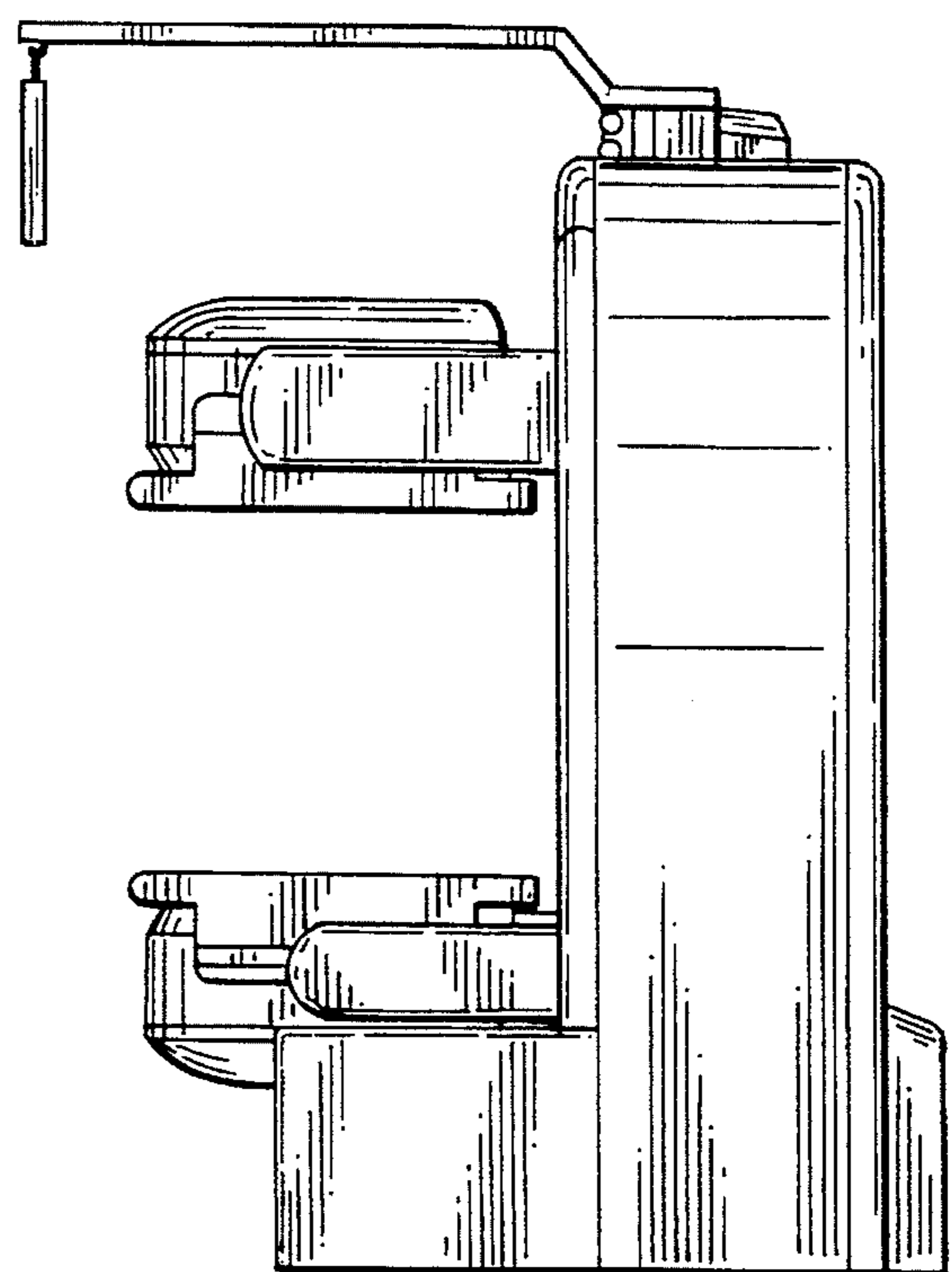


FIG. 6

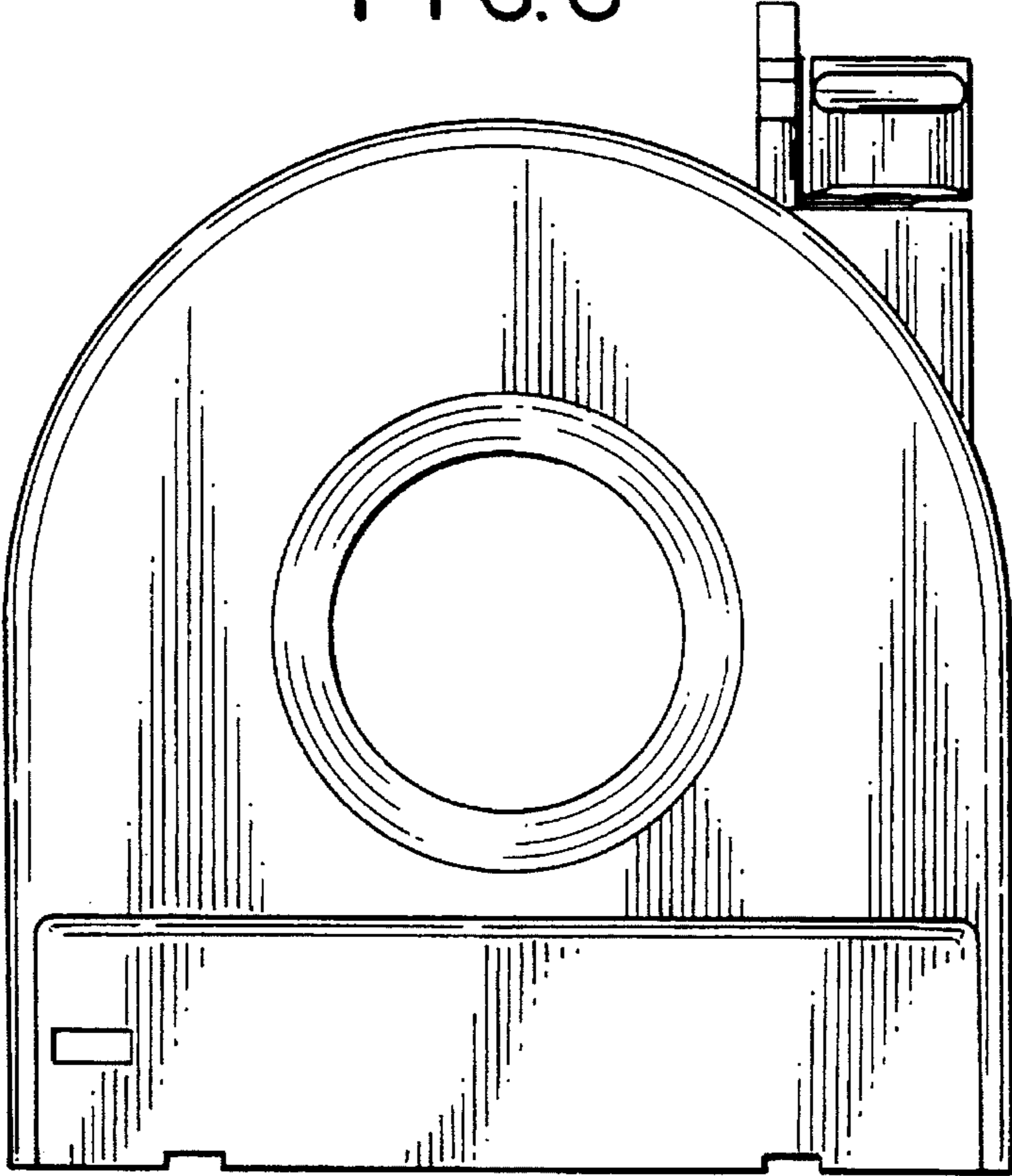


FIG. 7

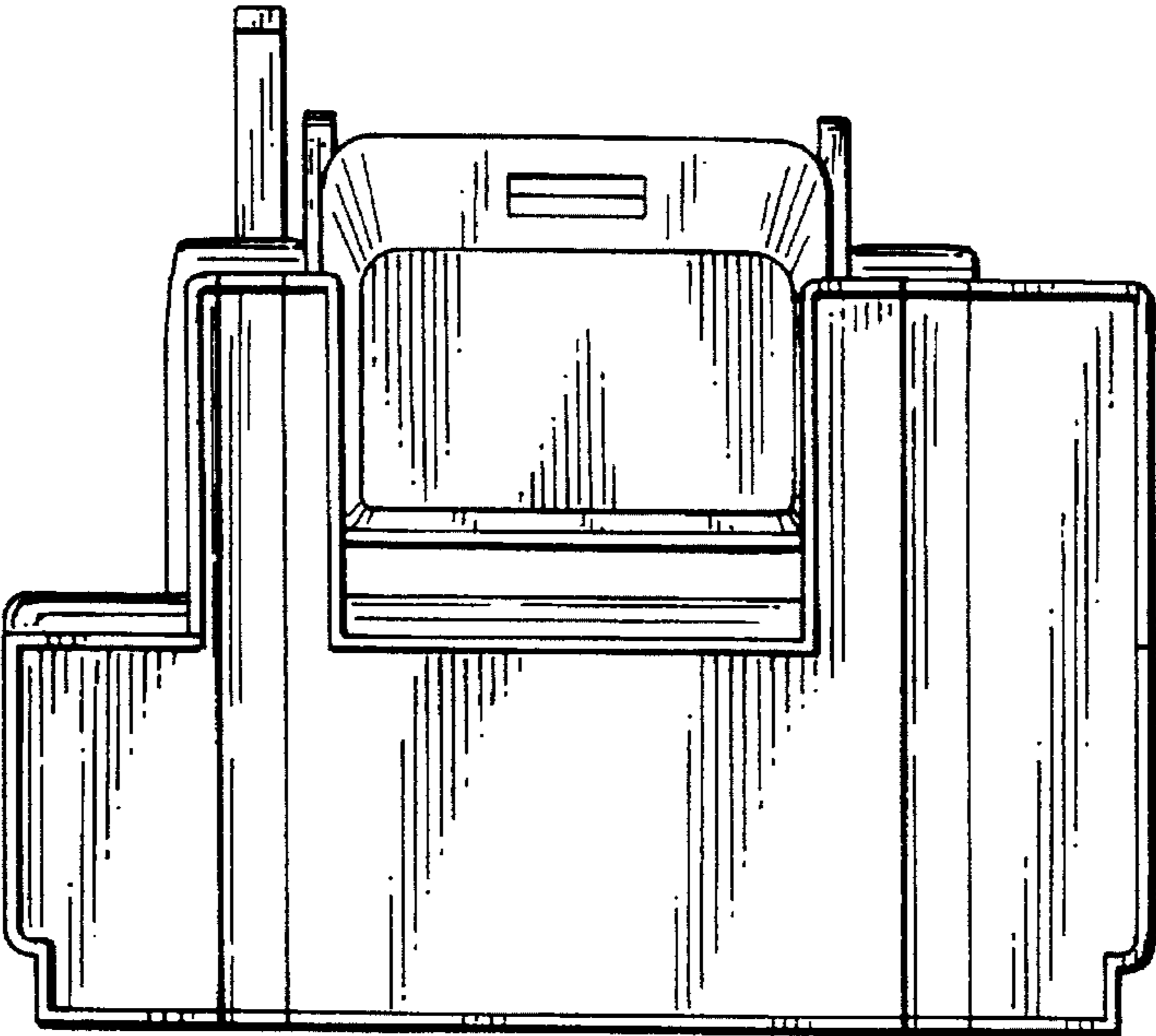


FIG. 8

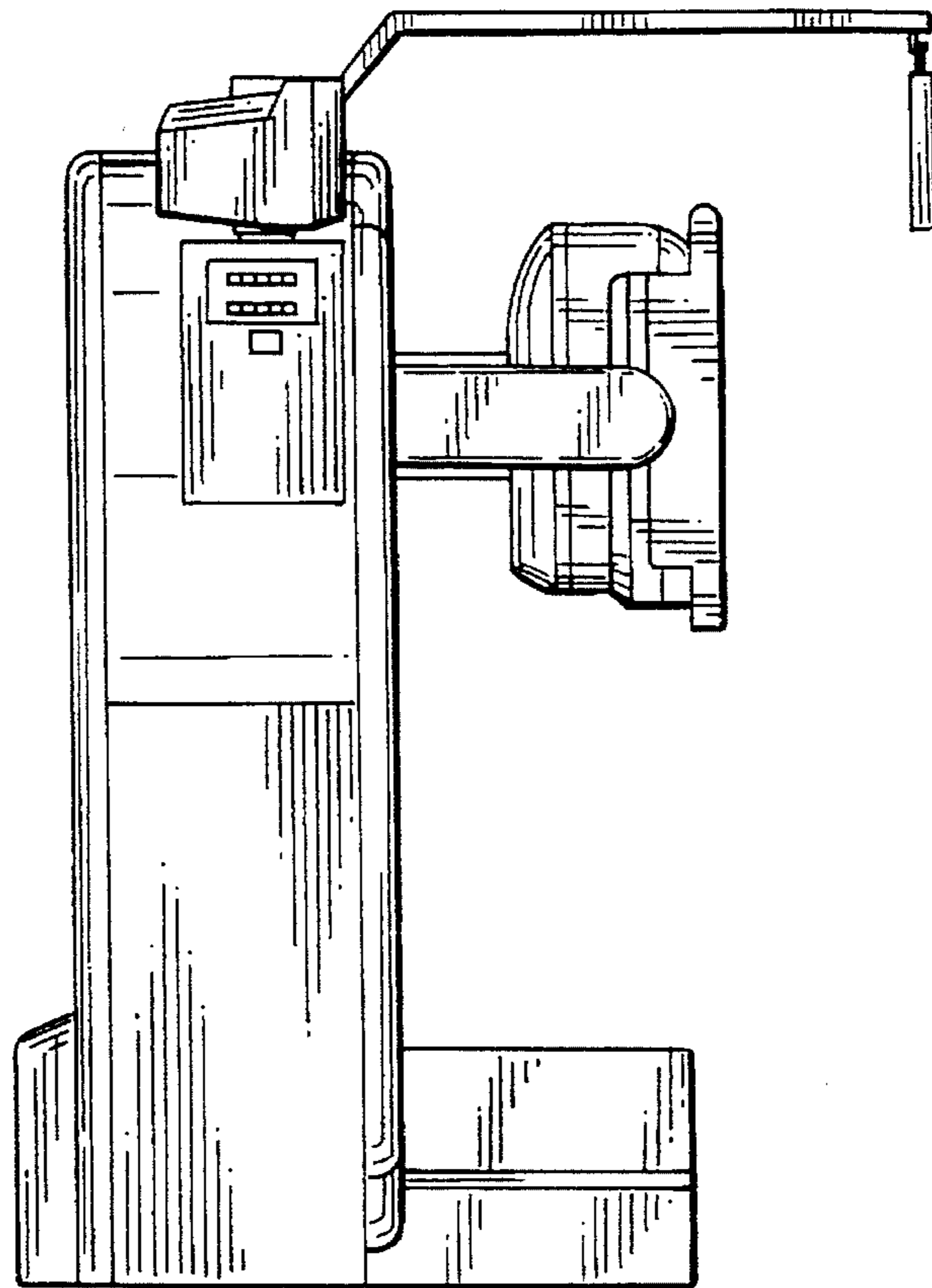


FIG. 9

