



US00D364921S

**United States Patent** [19]  
**DiPasquale**

[11] **Patent Number: Des. 364,921**  
[45] **Date of Patent: \*\*Dec. 5, 1995**

[54] **COMBINED CEILING FAN MOUNTING CANOPY, MOTOR AND SWITCH HOUSING AND BLADE IRONS UNIT**

D. 345,206	3/1994	DiPasquale	.....	D23/411
D. 346,651	5/1994	DiPasquale	.....	D23/377
D. 346,859	5/1994	DiPasquale	.....	D23/411
D. 347,685	6/1994	DiPasquale	.....	D23/411
D. 352,997	11/1994	DiPasquale	.....	D23/411

[75] Inventor: **Charles J. DiPasquale**, Carrollton, Tex.

[73] Assignee: **Smartel, Inc.**, Carrollton, Tex.

[\*\*] Term: **14 Years**

[21] Appl. No.: **34,114**

[22] Filed: **Jan. 27, 1995**

[52] U.S. Cl. .... **D23/411; D23/377; D23/379; D23/385**

[58] **Field of Search** ..... **D23/377, 379, D23/385, 411; 416/5; 392/364; D26/80, 81-86, 88, 51, 59, 72; 362/96**

[56] **References Cited**

**U.S. PATENT DOCUMENTS**

D. 312,305	11/1990	Weatherford	.....	D23/377
D. 312,689	12/1990	Weatherford	.....	D23/377
D. 328,638	8/1992	Hsieh	.....	D23/377
D. 339,191	9/1993	Vieyra	.....	D23/377
D. 345,205	3/1994	DiPasquale	.....	D23/411

*Primary Examiner*—Lisa P. Lichtenstein  
*Attorney, Agent, or Firm*—Dennis T. Griggs

[57] **CLAIM**

The ornamental design for a combined ceiling fan mounting canopy, motor and switch housing and blade irons unit, as shown and described.

**DESCRIPTION**

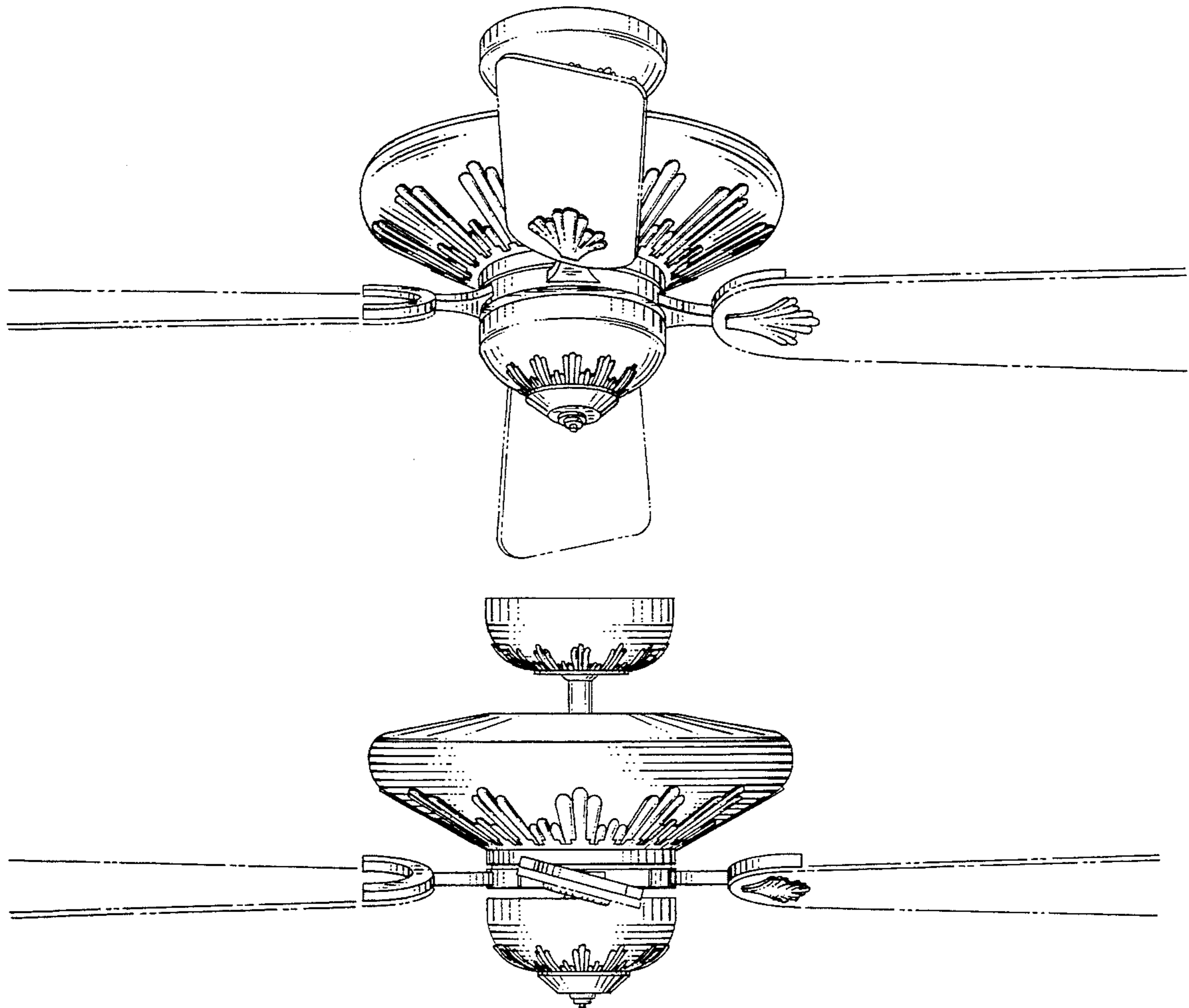
FIG. 1 is a perspective view of a combined ceiling fan mounting canopy, motor and switch housing and blade irons unit showing my new design, the broken lines showing fan blades being for illustrative purposes only and forming no part of the claimed design;

FIG. 2 is a side elevational view thereof, the opposite and adjacent sides being mirror images of that shown;

FIG. 3 is a top plan view thereof; and,

FIG. 4 is a bottom plan view thereof.

**1 Claim, 3 Drawing Sheets**



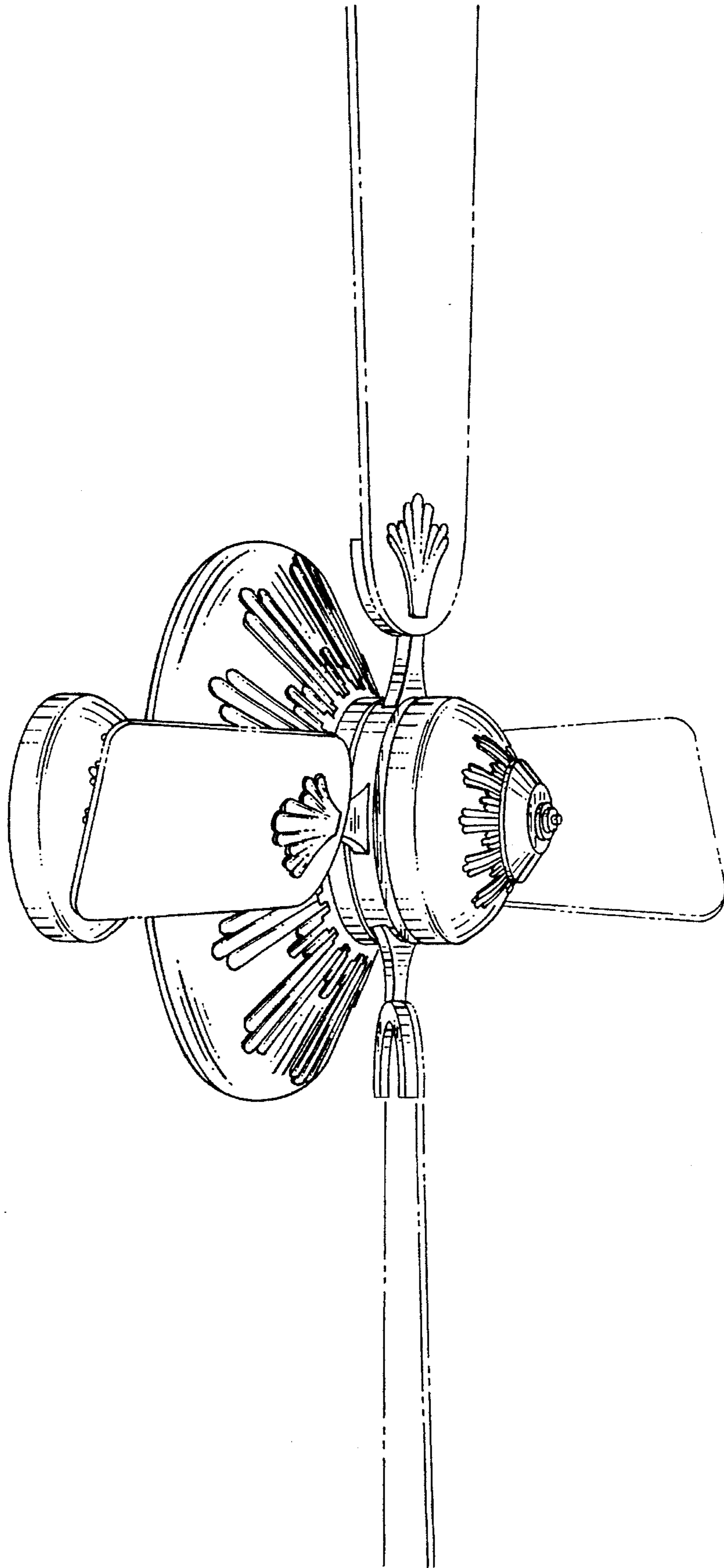


FIG. 1

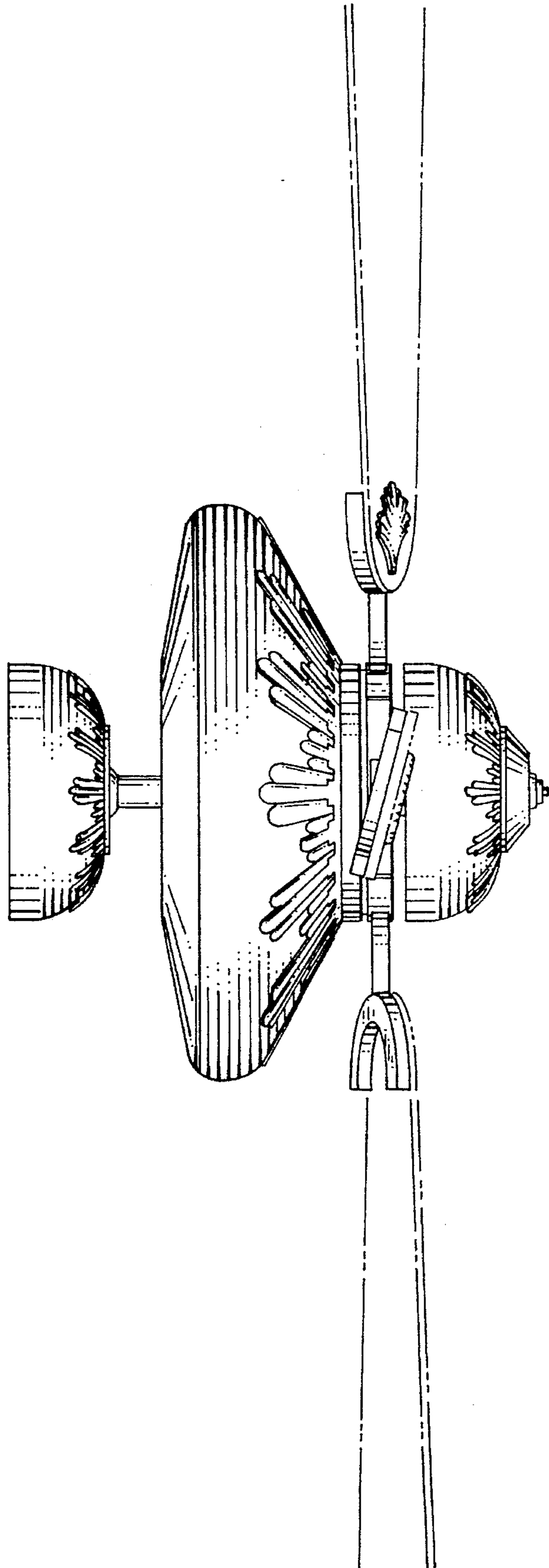


FIG. 2

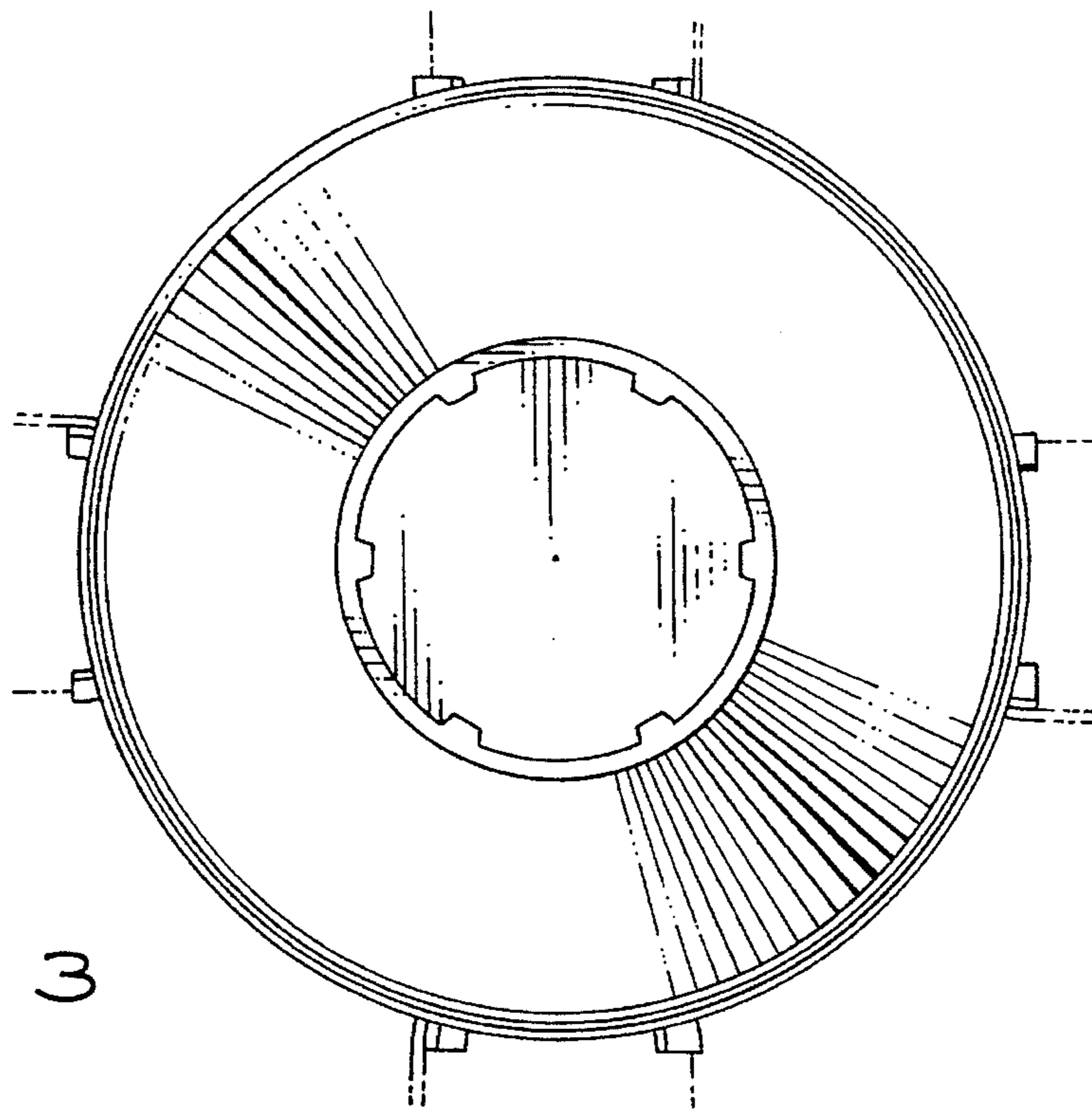


FIG. 3

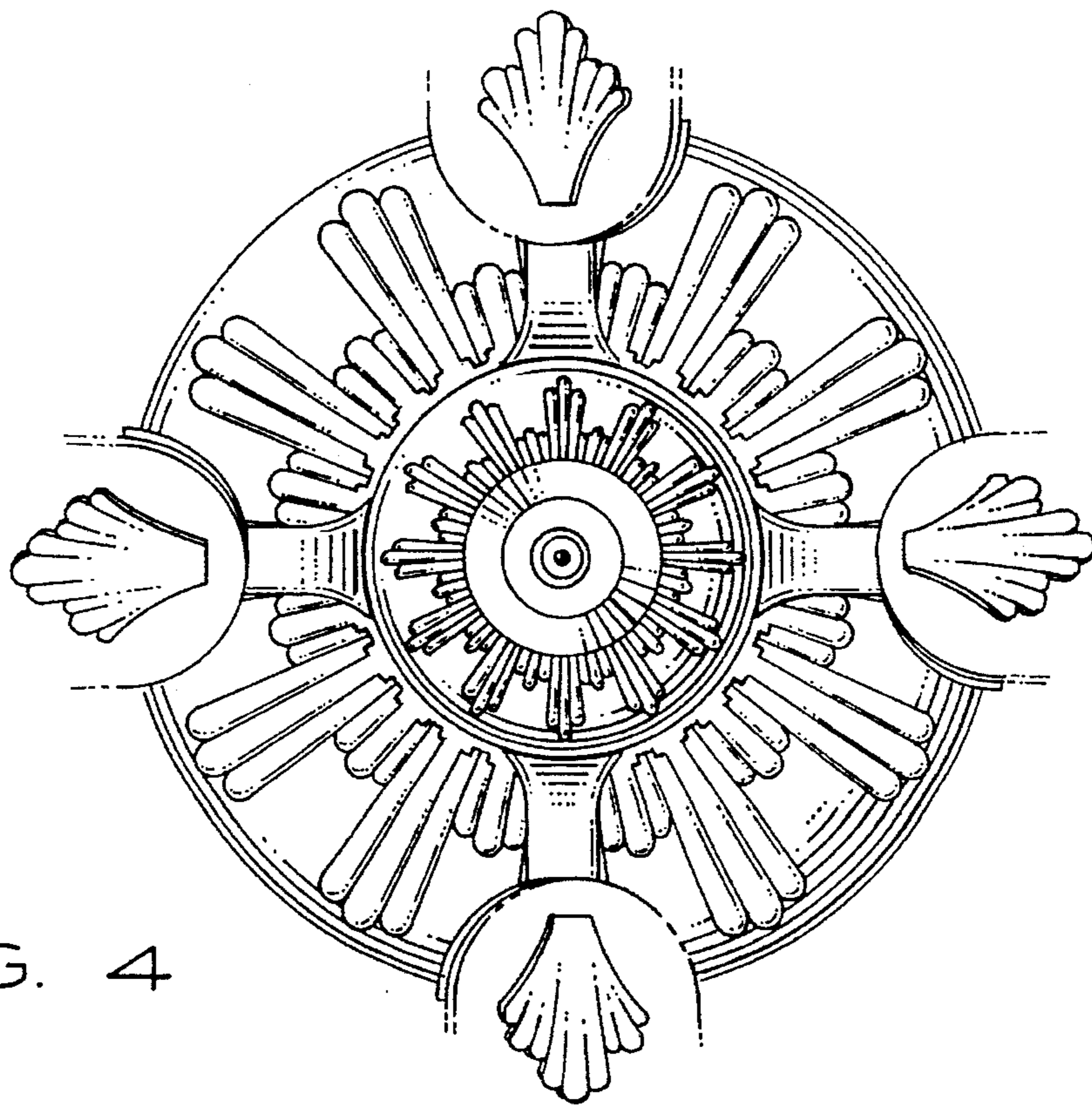


FIG. 4