



US00D364918S

**United States Patent** [19]  
**Hutchens**

[11] **Patent Number:** **Des. 364,918**  
[45] **Date of Patent:** **\*\*Dec. 5, 1995**

[54] **FLANGED PIPE COUPLER**

[76] Inventor: **Nathan P. Hutchens**, P.O. Box 1223,  
Kenai, Ak. 99611

[\*\*] Term: **14 Years**

[21] Appl. No.: **21,213**

[22] Filed: **Apr. 11, 1994**

[52] **U.S. Cl.** ..... **D23/262**

[58] **Field of Search** ..... D23/262, 263,  
D23/264, 265; 285/355, 390, 392

[56] **References Cited**

**U.S. PATENT DOCUMENTS**

497,990	5/1893	Simrell	.....	285/355	X
3,287,032	11/1966	Kraybill	.....	285/355	X
3,462,539	8/1969	Winston	.....	285/355	X
4,060,264	11/1977	Gajajiva	.....	285/390	X
4,568,113	2/1986	Axhoro et al.	.....	285/390	X

*Primary Examiner*—Stella Reid  
*Assistant Examiner*—Eric Watterson

[57] **CLAIM**

The ornamental design for a flanged pipe coupler, as shown and described.

**DESCRIPTION**

FIG. 1 is a front elevational view of the flanged pipe coupler showing my new design;  
FIG. 2 is a rear elevational view thereof;  
FIG. 3 is a left side exploded elevational view thereof;  
FIG. 4 is a right side exploded elevational view thereof;  
FIG. 5 is a top plan exploded view thereof;  
FIG. 6 is a bottom plan exploded view thereof; and,  
FIG. 7 is an isometric view showing a use thereof.

The broken line showing is for illustrative purposes only and forms no part of the claimed design.

**1 Claim, 4 Drawing Sheets**

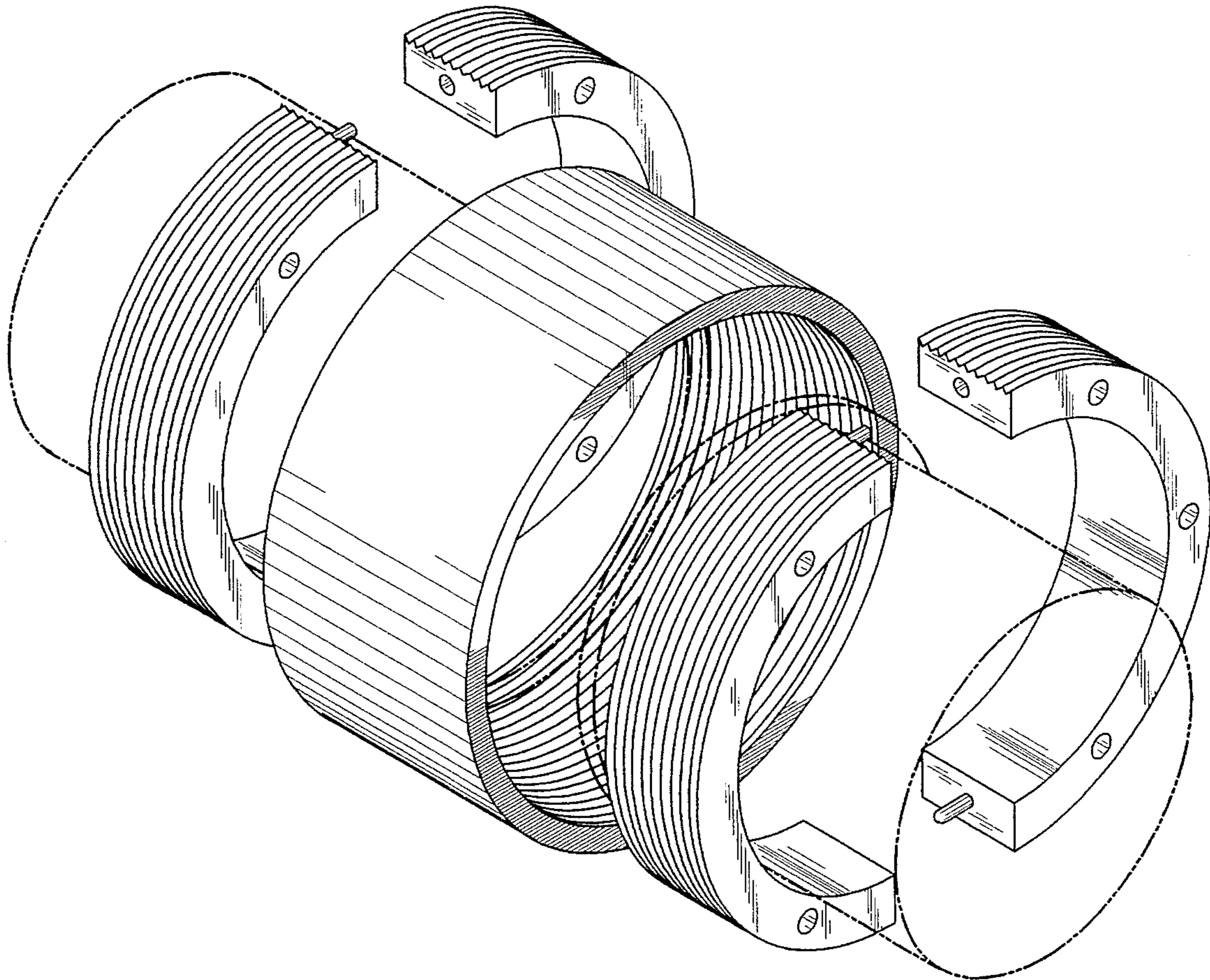


FIG. 1

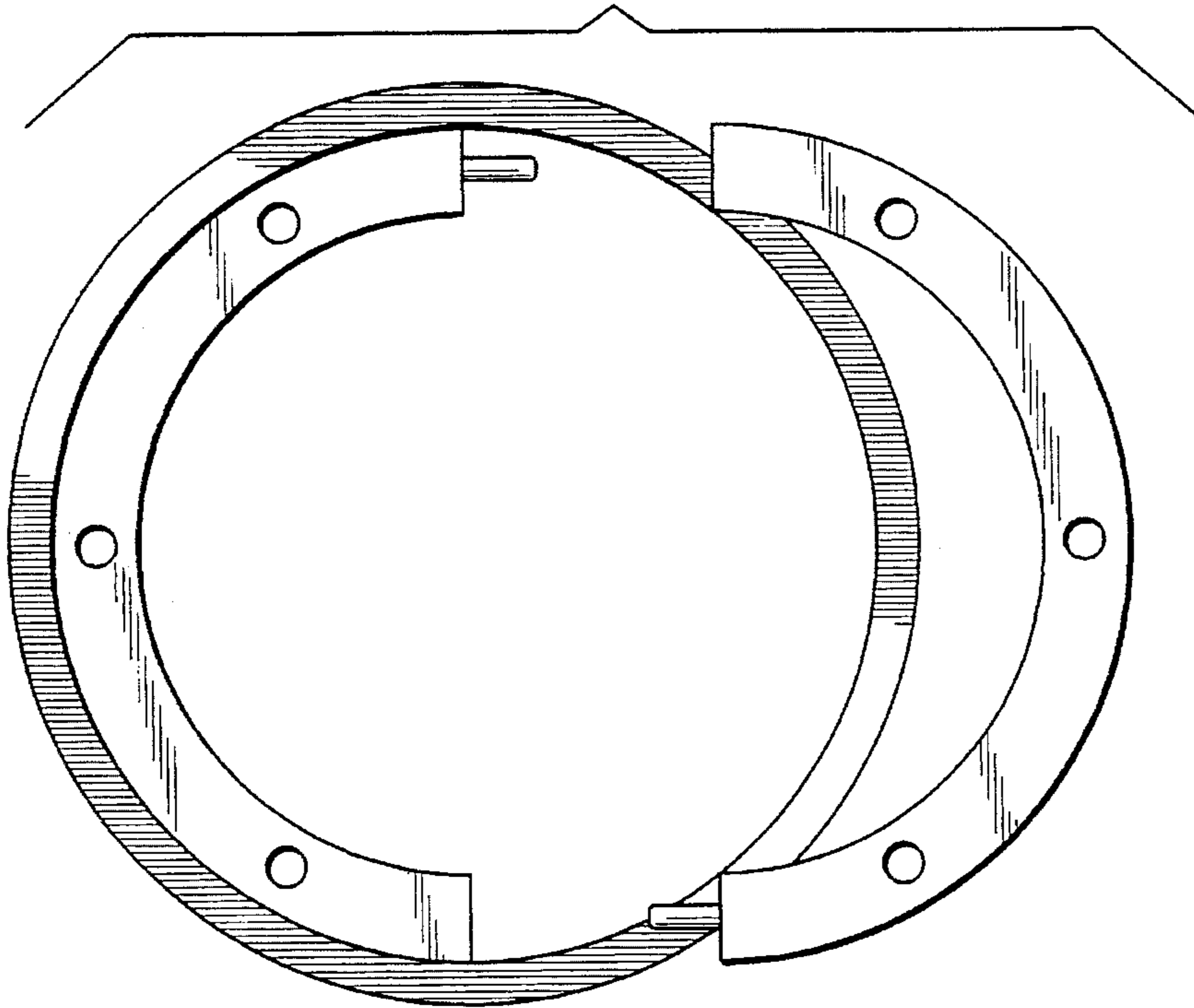


FIG. 2

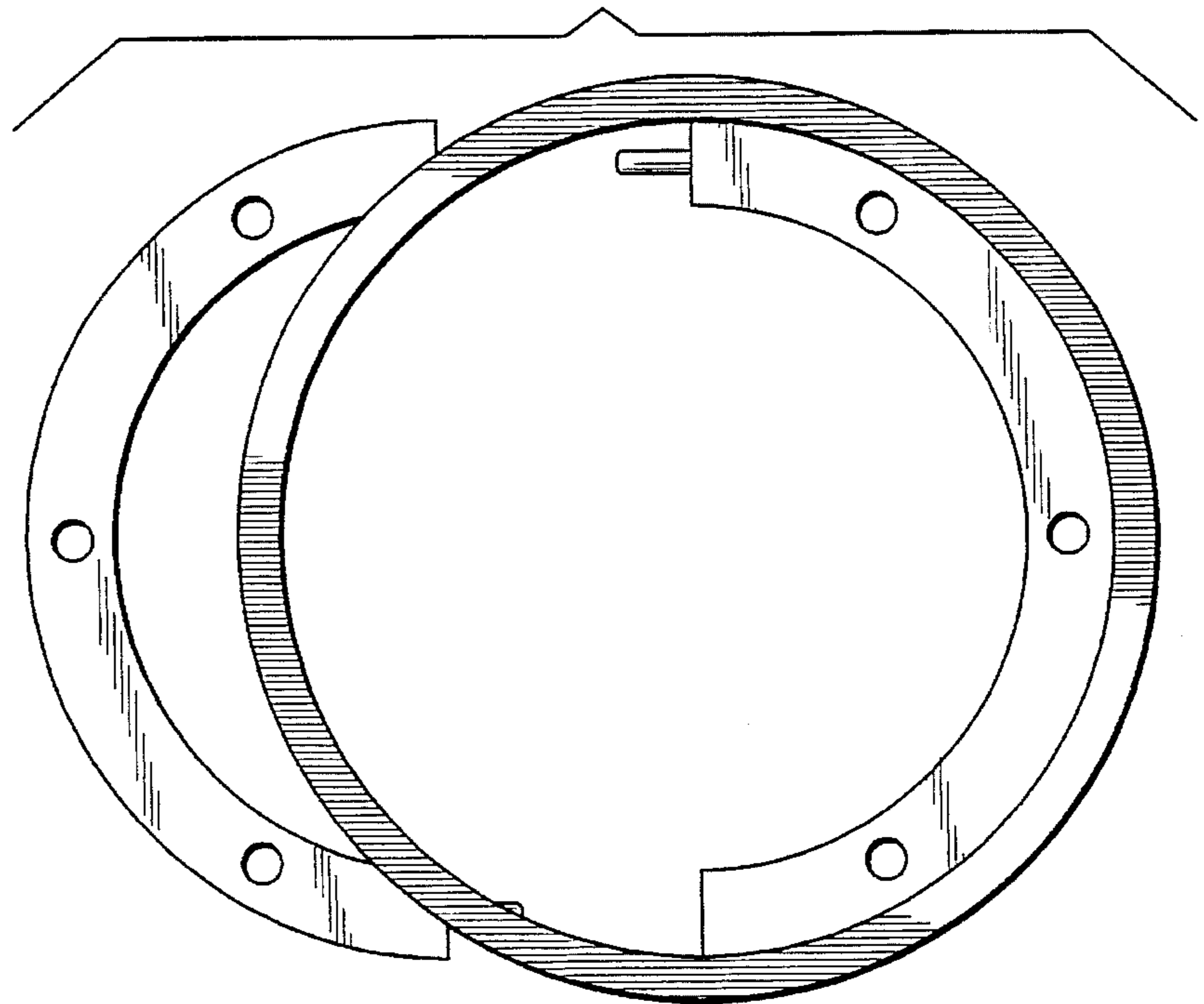


FIG. 3

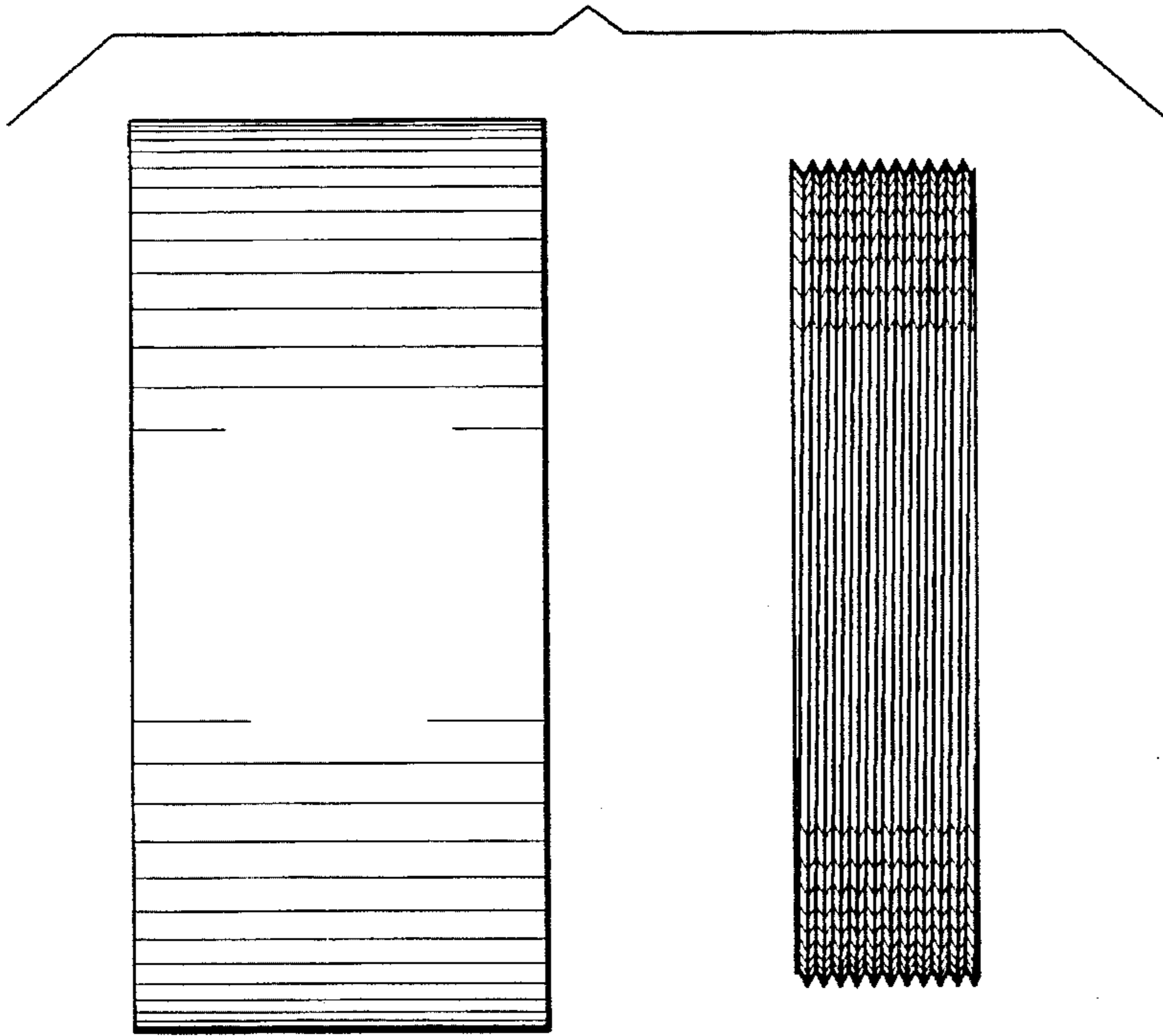


FIG. 4

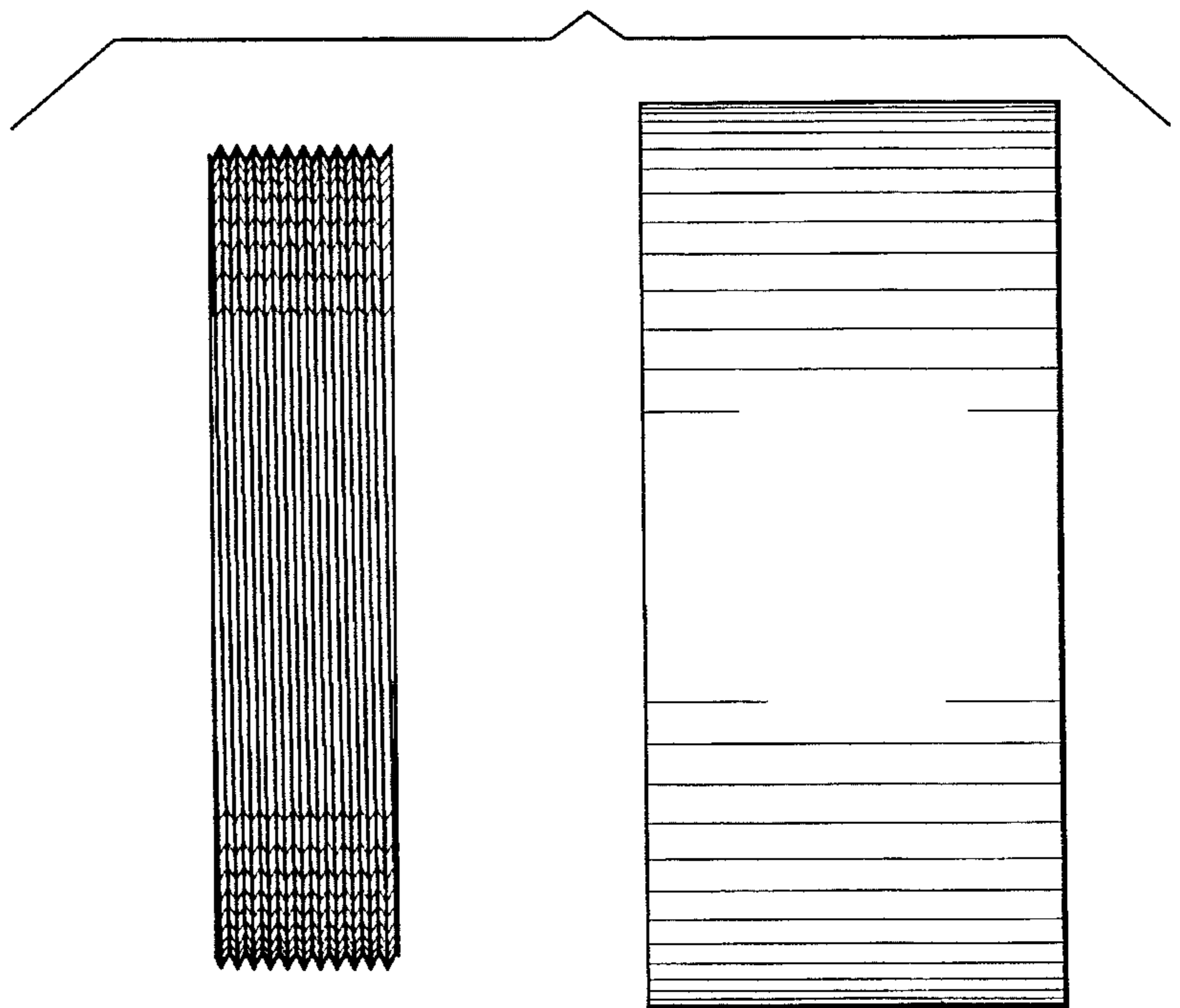


FIG. 5

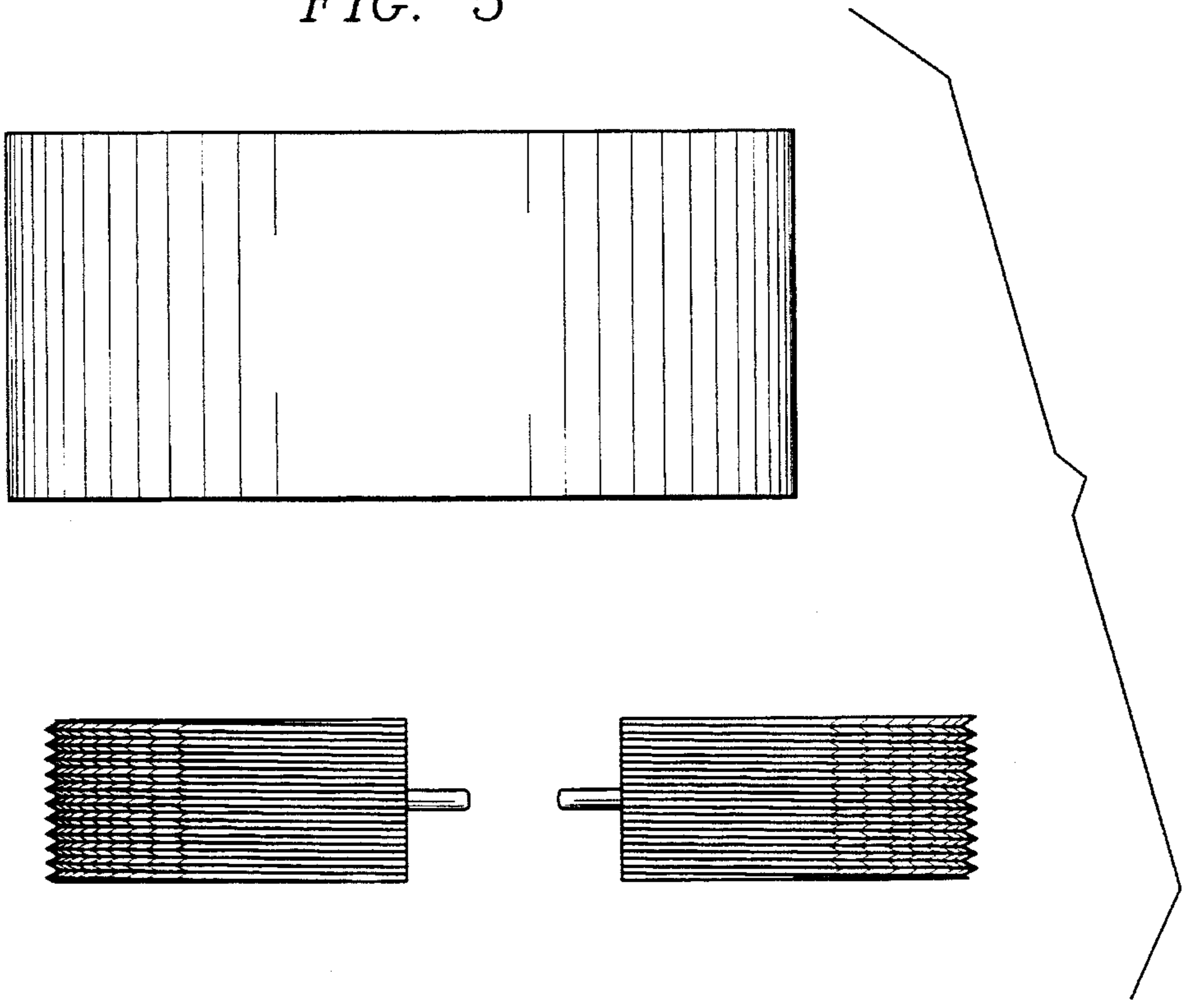


FIG. 6

