



US00D364915S

United States Patent [19]
Huang

[11] **Patent Number:** **Des. 364,915**
[45] **Date of Patent:** ****Dec. 5, 1995**

[54] **SHOWER HEAD**
[75] **Inventor:** **So-Mei Huang**, Taichung Hsien,
Taiwan
[73] **Assignee:** **Chien Chuen Plastic Co., Ltd.**,
Taichung Hsien, Taiwan
[**] **Term:** **14 Years**
[21] **Appl. No.:** **32,778**
[22] **Filed:** **Dec. 28, 1994**
[52] **U.S. Cl.** **D23/213**
[58] **Field of Search** **D23/213, 223-229;**
239/394, 390-391, 380-383, 456-460;
4/615, 567

D. 313,833 1/1991 Presman D23/213
D. 314,608 2/1991 Presman D23/213
D. 323,545 1/1992 Ward D23/213
3,647,145 3/1972 Nelson 239/460

Primary Examiner—A. Hugo Word
Assistant Examiner—Robin V. Taylor
Attorney, Agent, or Firm—Beveridge, DeGrandi, Weilacher
& Young

[57] **CLAIM**

The ornamental design for a shower head, as shown and described.

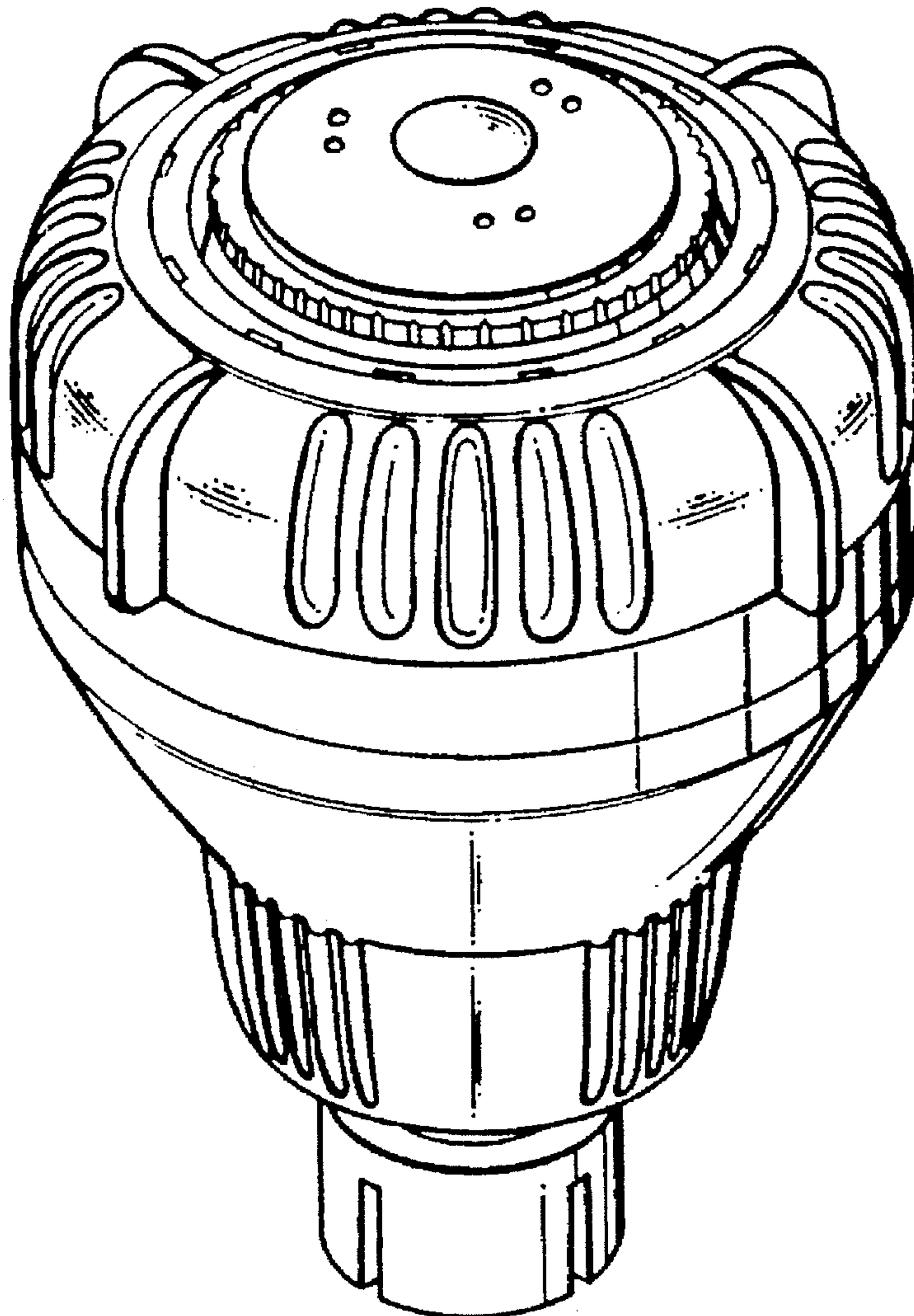
DESCRIPTION

FIG. 1 is a side view of a shower head showing my new design, the other side views being a mirror image;
FIG. 2 is a top view thereof;
FIG. 3 is a bottom view thereof; and,
FIG. 4 is a perspective view thereof.

[56] **References Cited**
U.S. PATENT DOCUMENTS

D. 313,456 1/1991 Presman D23/213

1 Claim, 2 Drawing Sheets



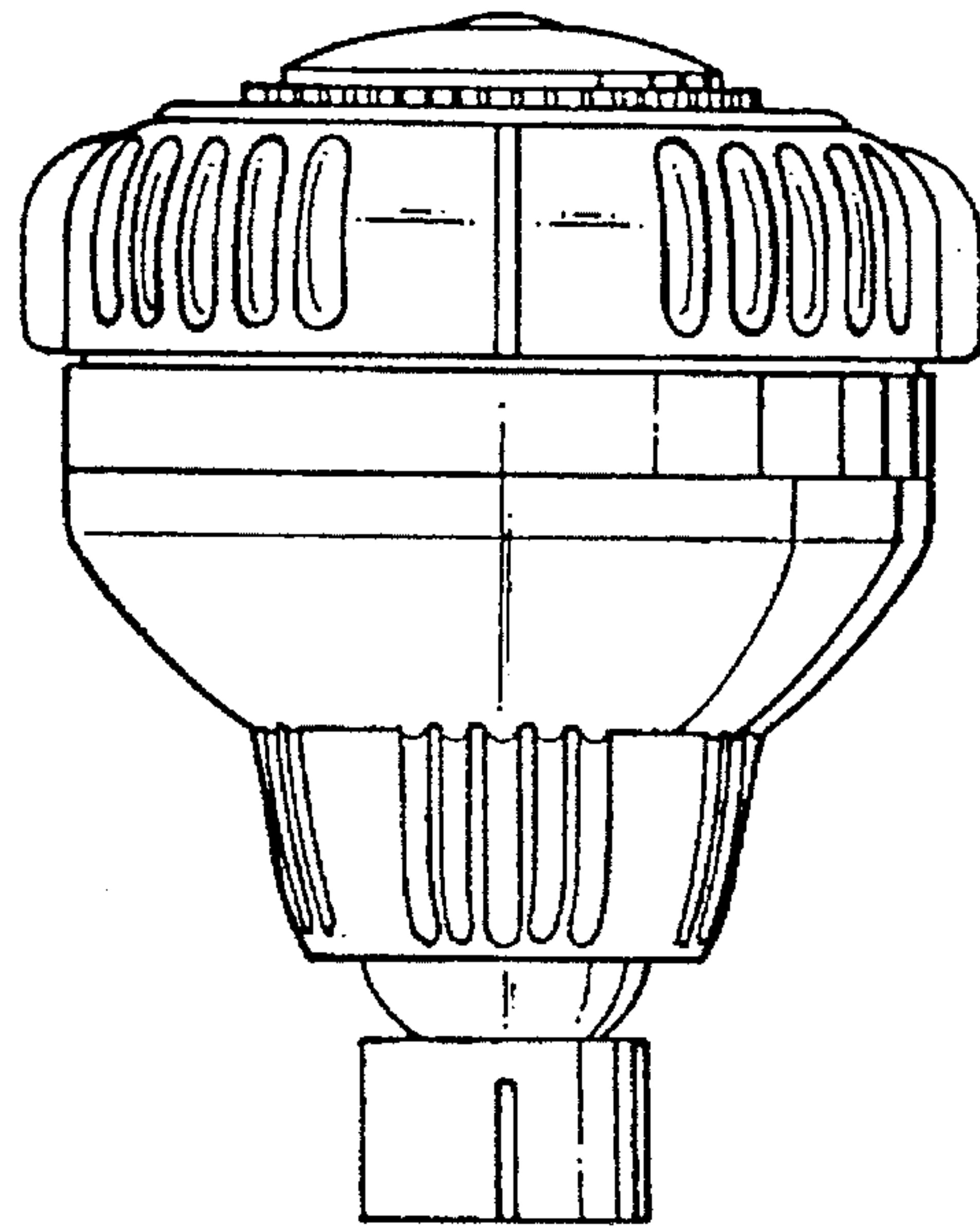


FIG. 1

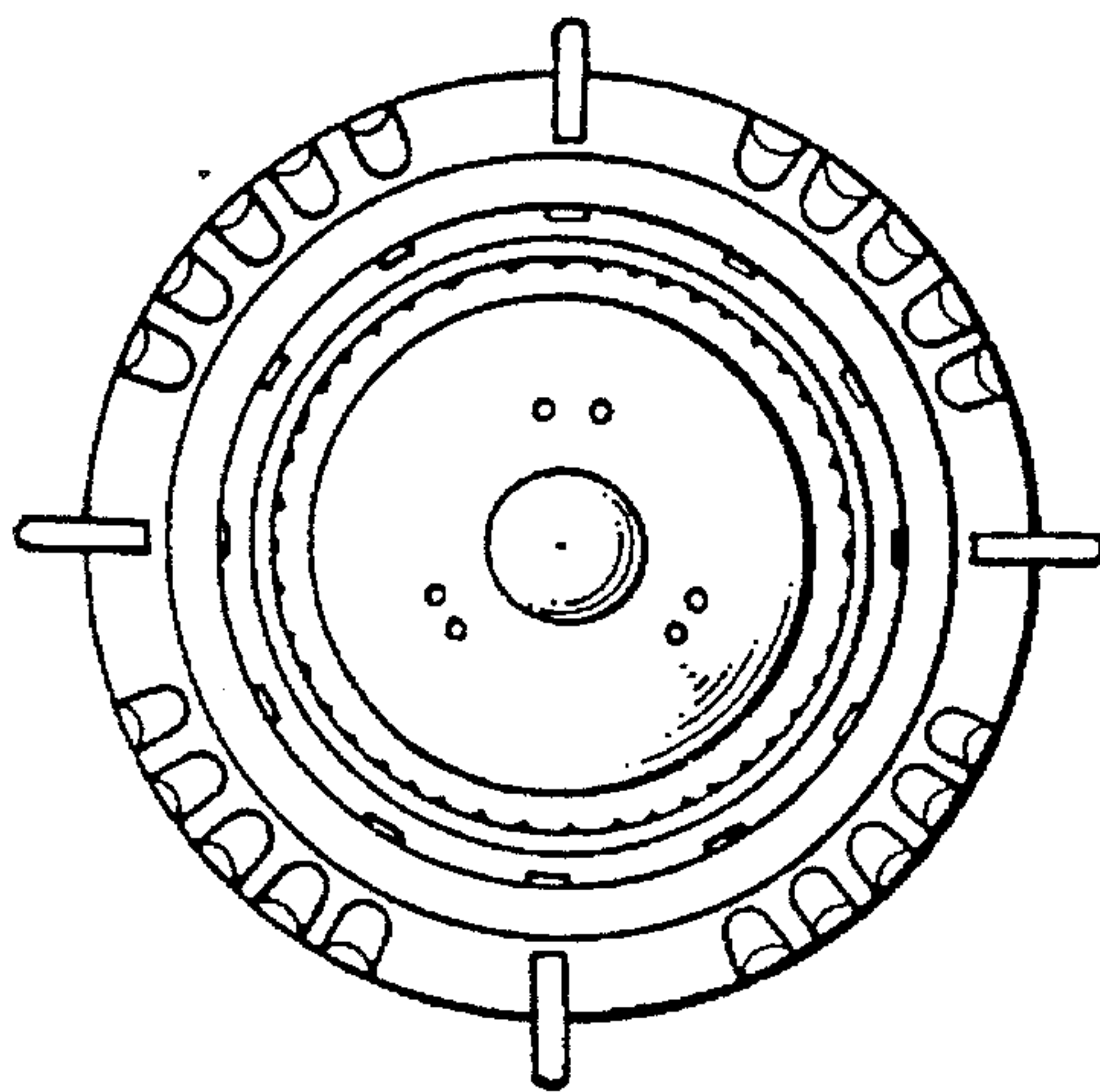


FIG. 2

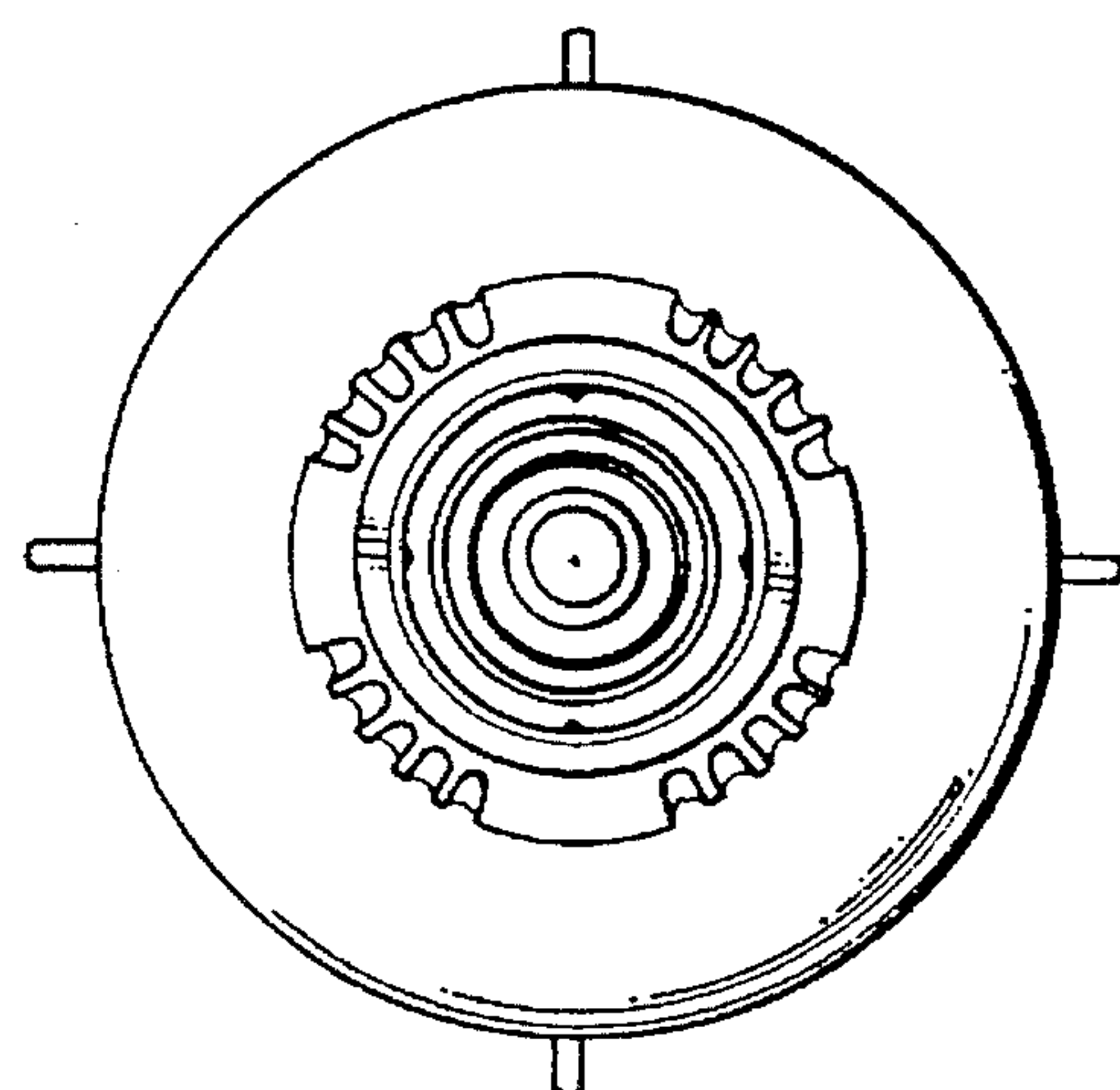


FIG. 3

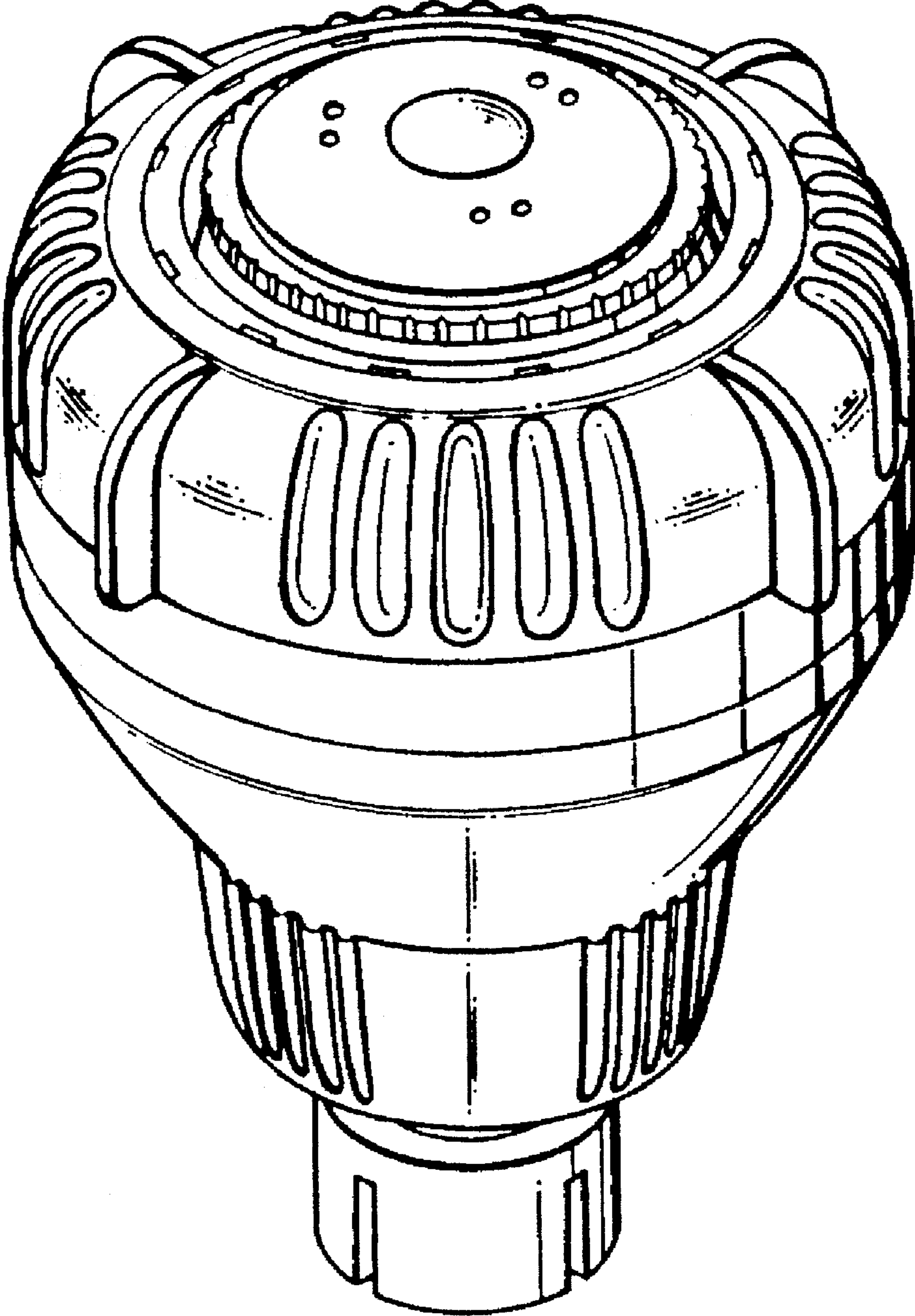


FIG. 4