



US00D364913S

United States Patent [19]

Daffern

[11] Patent Number: Des. 364,913

[45] Date of Patent: **Dec. 5, 1995

[54] FISHING TROTLINE REEL

[76] Inventor: **Johnny R. Daffern**, 552 Arizona,
Texarkana, Tex. 75501

[**] Term: **14 Years**

[21] Appl. No.: **9,582**

[22] Filed: **Jun. 18, 1993**

[52] U.S. Cl. **D22/137; D22/134**

[58] Field of Search D22/137, 134,
D22/140; 43/57.3, 57.2, 57.1, 27.4; 242/125.1,
125

4,453,843 6/1984 Martyniuk 43/57.3
 4,525,949 7/1985 Pike 43/57.3
 4,685,243 8/1987 Pugh 43/57.3

Primary Examiner—Doris V. Coles
Attorney, Agent, or Firm—Terry M. Gernstein

[57] CLAIM

The ornamental design for a fishing trotline reel, as shown and described.

DESCRIPTION

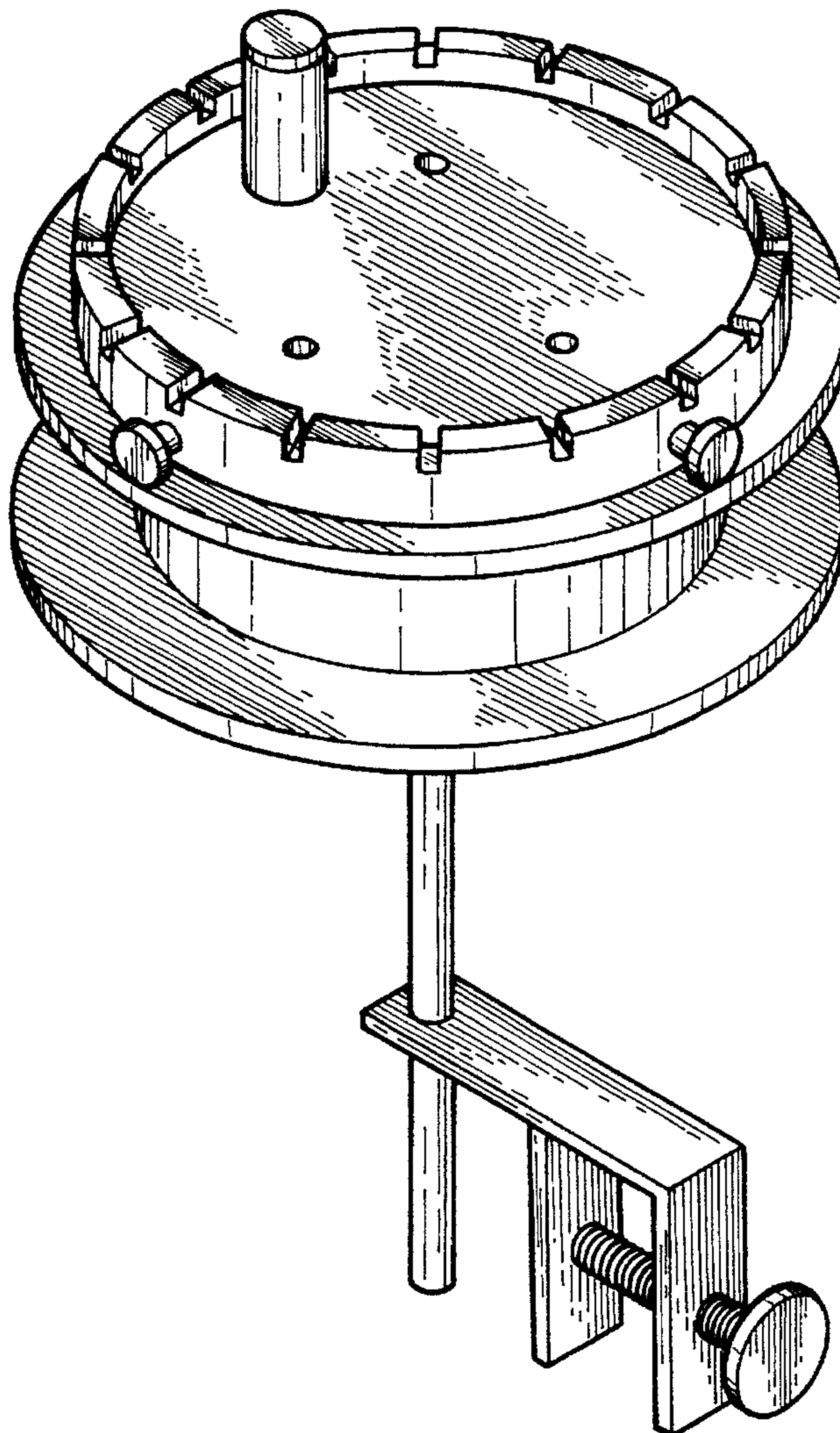
FIG. 1 is a front, top and side perspective view of the fishing trotline reel showing my new design;
 FIG. 2 is a front elevational view thereof;
 FIG. 3 is a rear elevational view thereof;
 FIG. 4 is a side elevational view thereof, the side opposite being a mirror image of the side shown in FIG. 4;
 FIG. 5 is a top plan view thereof; and,
 FIG. 6 is a bottom plan view thereof.

[56] References Cited

U.S. PATENT DOCUMENTS

D. 312,294	11/1990	Doskocil et al.	D22/137
2,531,816	11/1950	Homoky	43/27.4 X
3,660,924	5/1972	McGee, Jr.	43/57.3
3,775,894	12/1973	Goddard	43/57.3
4,091,559	5/1978	Easley	43/57.3

1 Claim, 3 Drawing Sheets



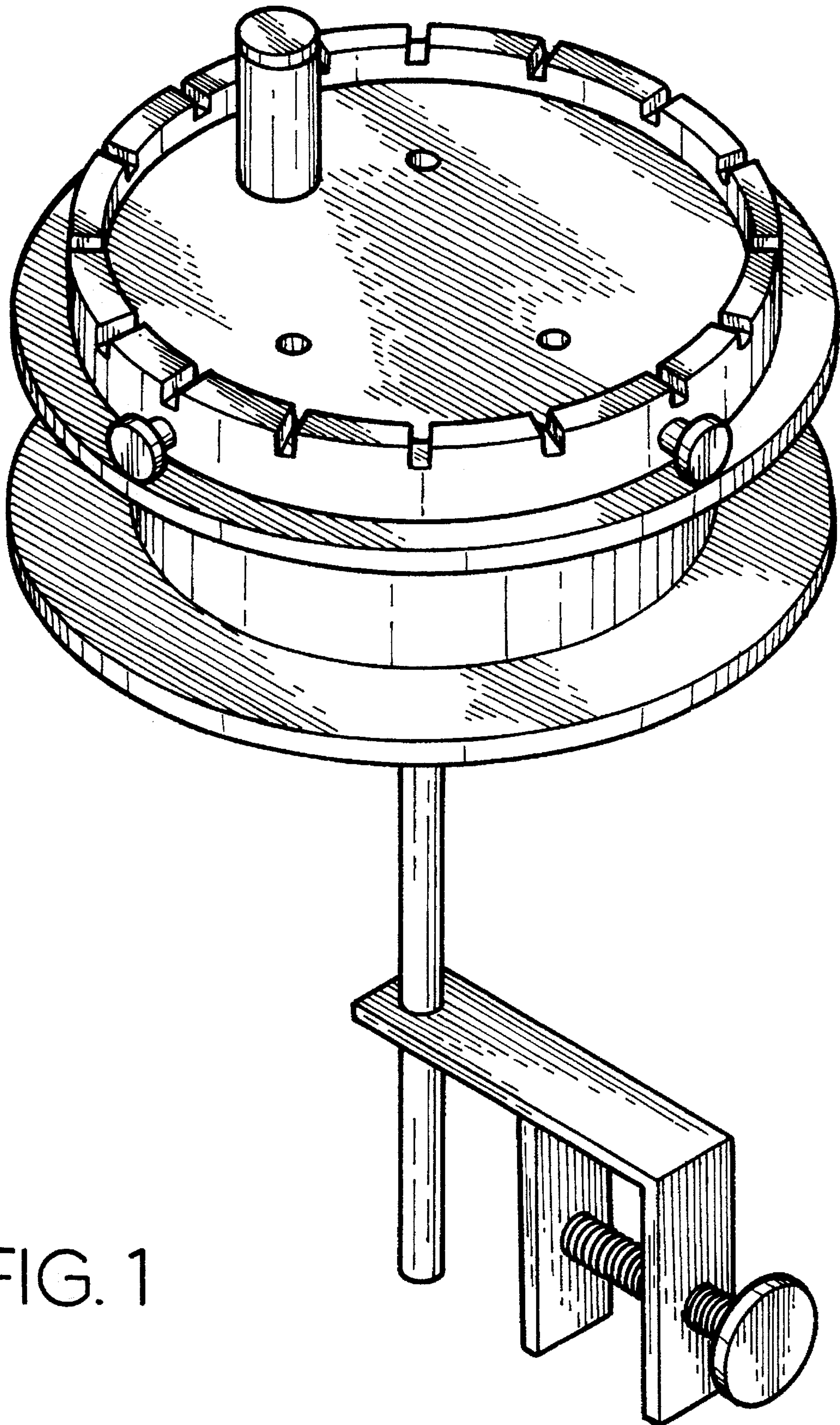


FIG. 1

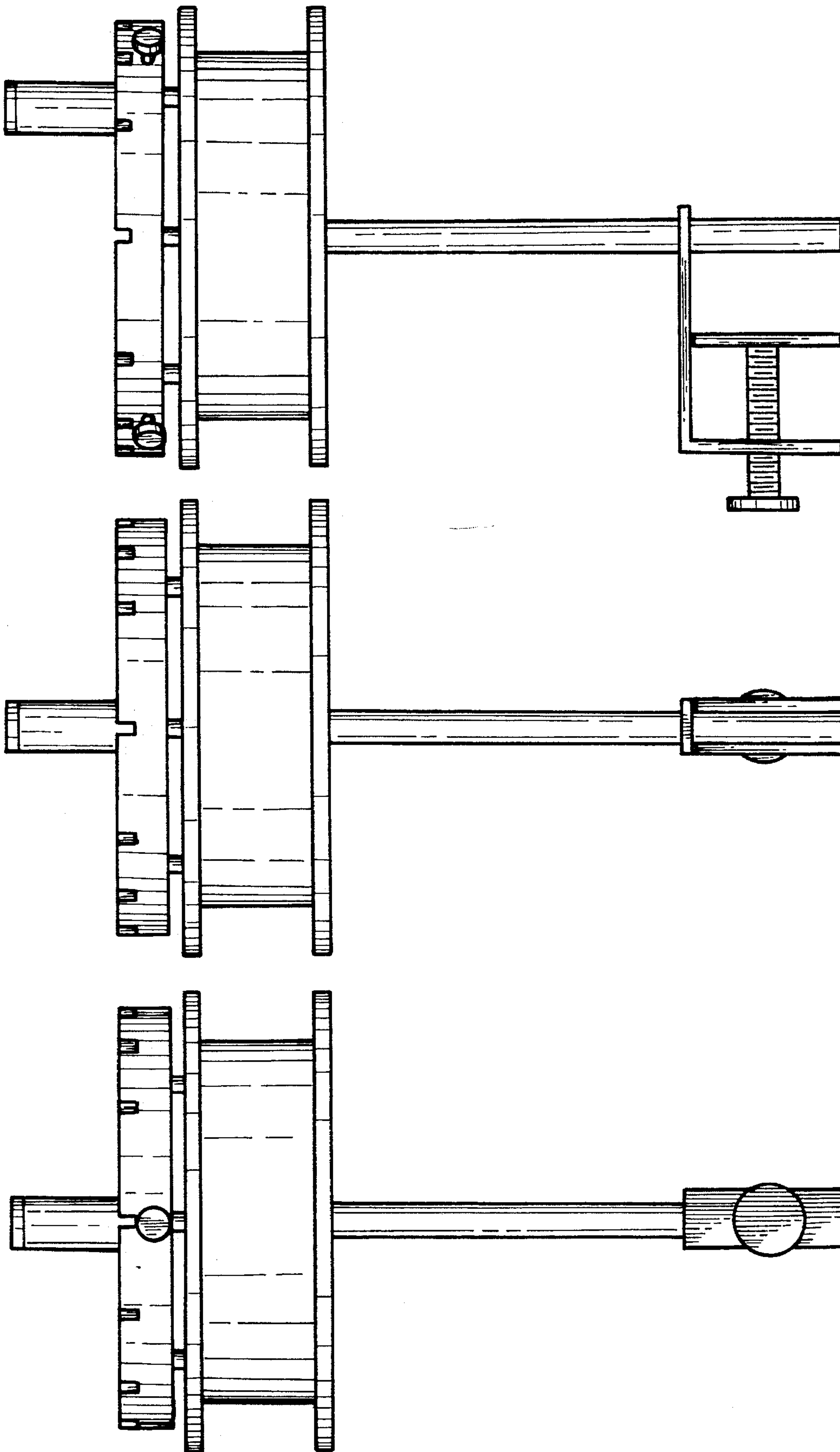


FIG. 4

FIG. 3

FIG. 2

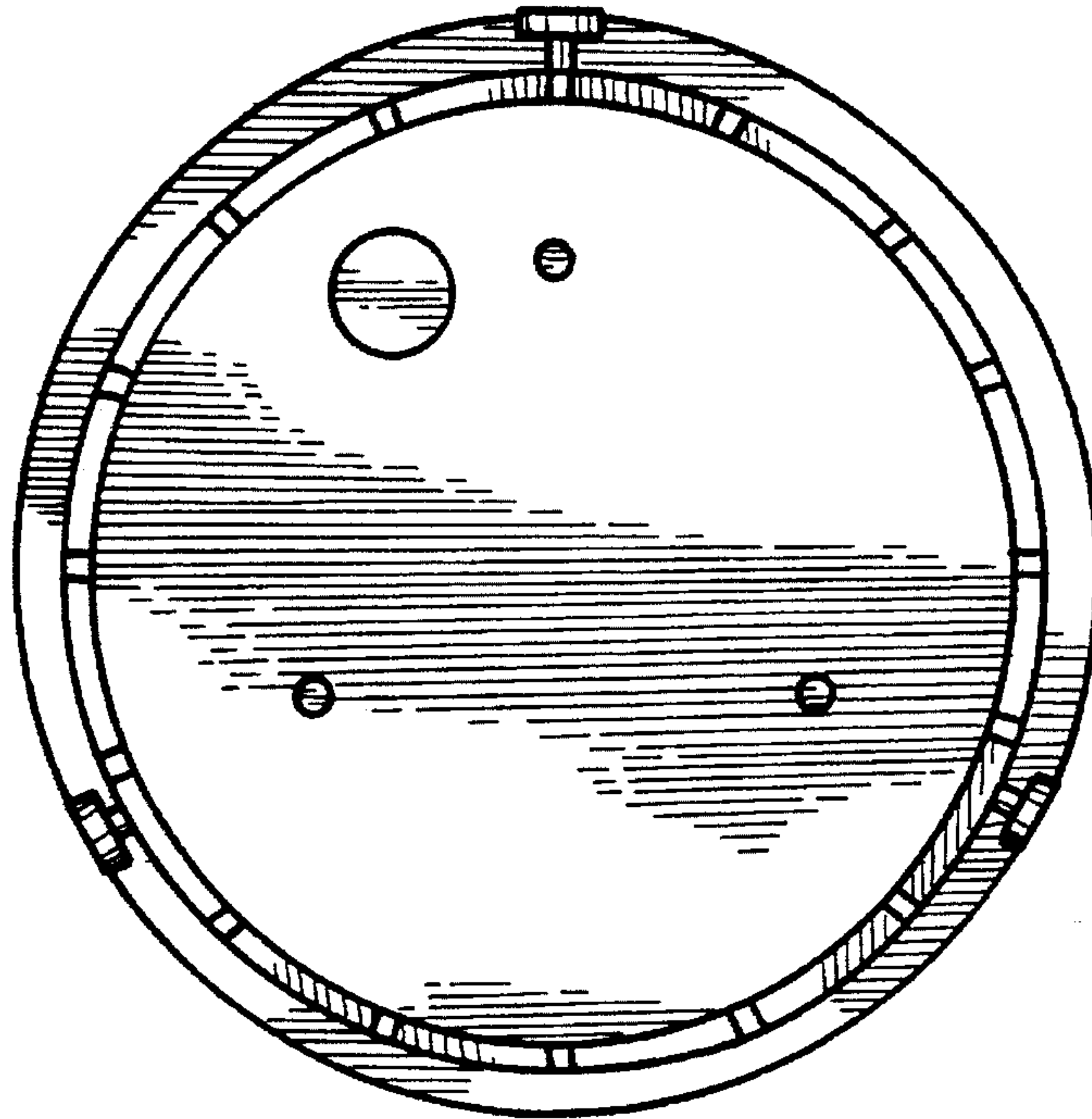


FIG. 5

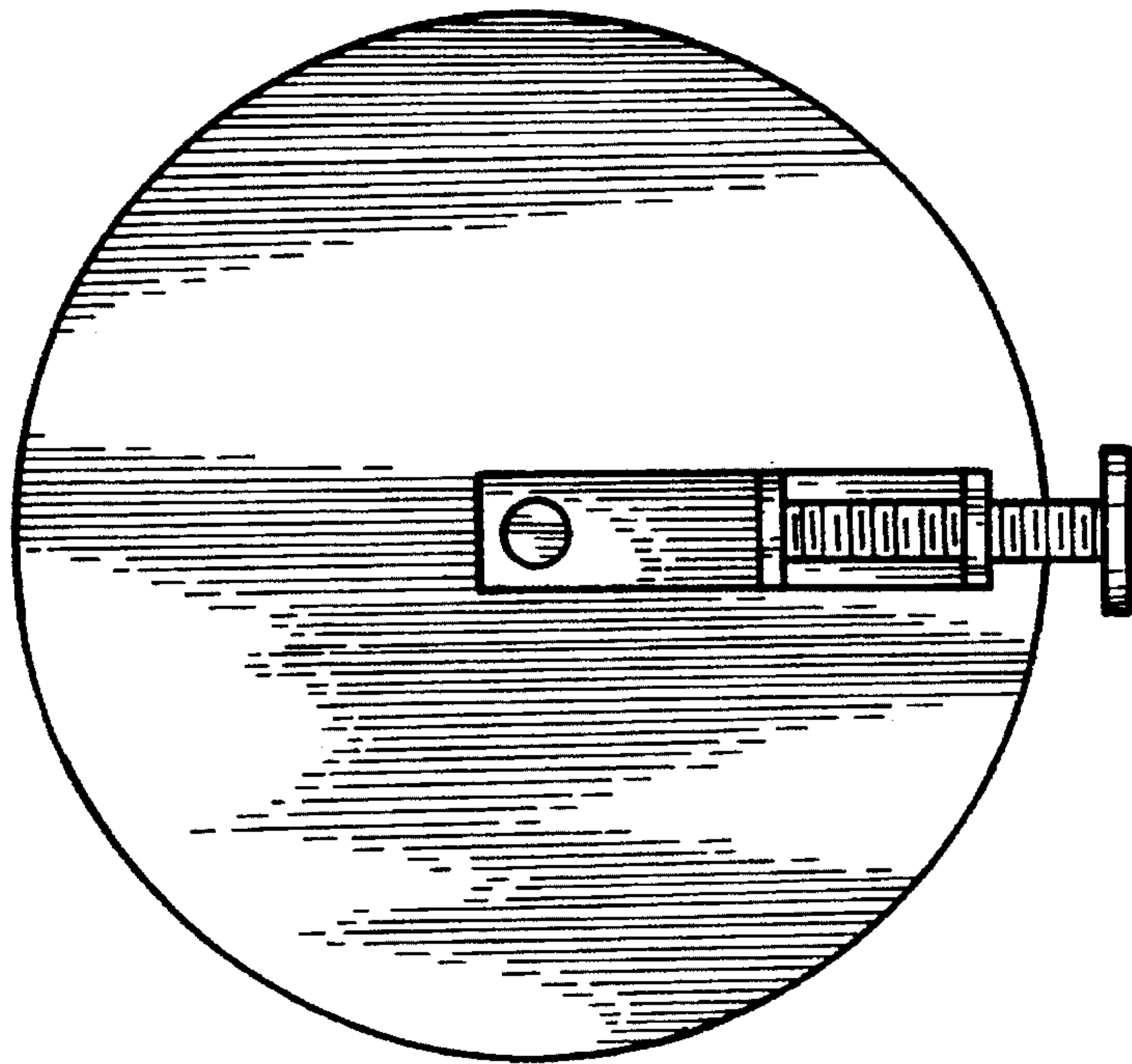


FIG. 6