



US00D364910S

**United States Patent** [19]

[11] **Patent Number: Des. 364,910**

**Shovek**

[45] **Date of Patent: \*\*Dec. 5, 1995**

[54] **POOL CHALK WITH CLOTHES ATTACHING ELEMENT**

FOREIGN PATENT DOCUMENTS

[76] Inventor: **Robert M. Shovek**, 37988 Bloomfield Dr., Livonia, Mich. 48154

799542 1/1936 France ..... 473/35  
2174311 11/1986 United Kingdom ..... 473/35

[\*\*] Term: **14 Years**

*Primary Examiner*—Prabhakar G. Deshmukh  
*Attorney, Agent, or Firm*—Terry M. Gernstein

[21] Appl. No.: **19,854**

[57] **CLAIM**

[22] Filed: **Mar. 14, 1994**

The ornamental design for a pool chalk with clothes attaching element, as shown and described.

[52] **U.S. Cl.** ..... **D21/232**

**DESCRIPTION**

[58] **Field of Search** ..... D21/232; 473/35-39

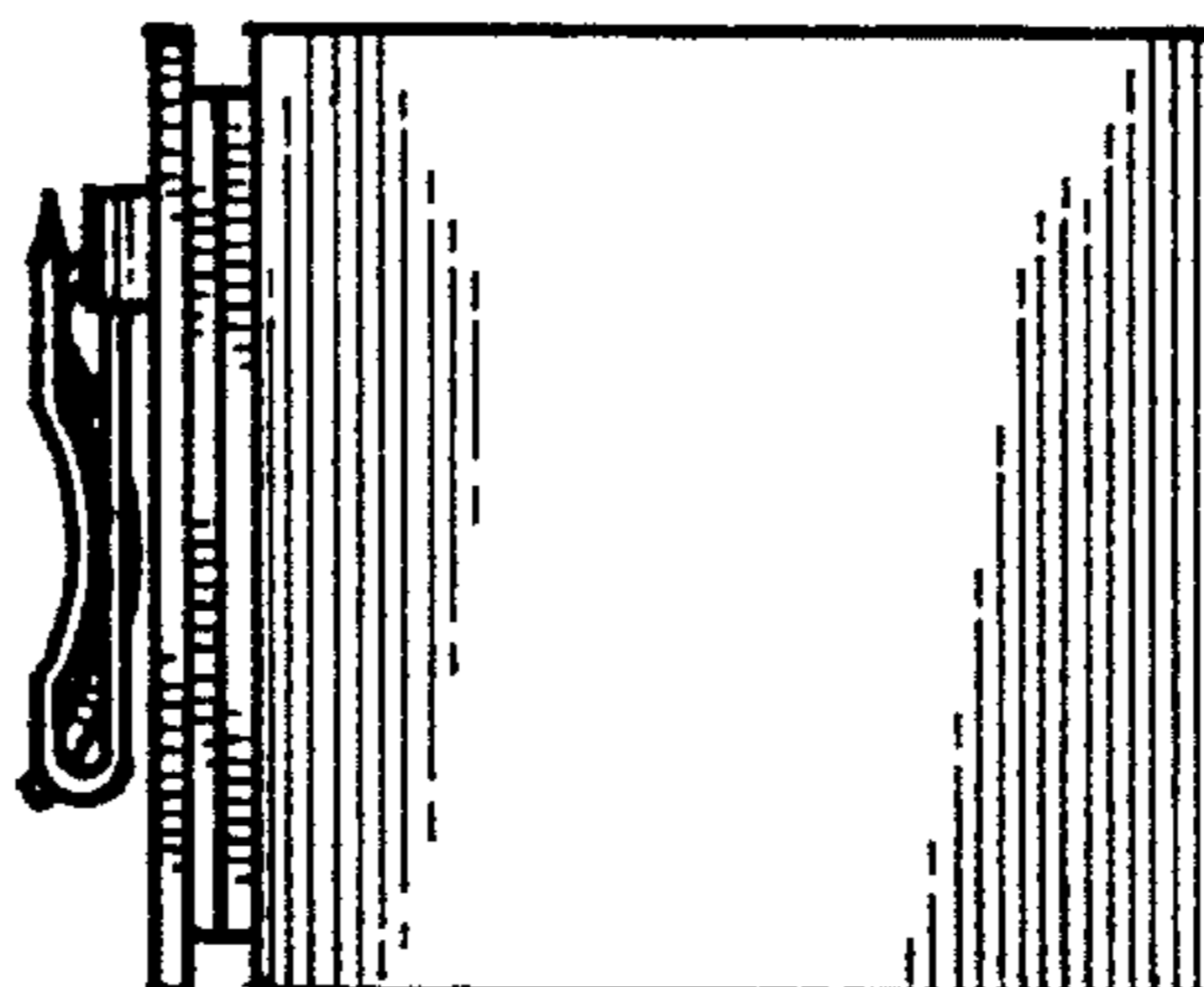
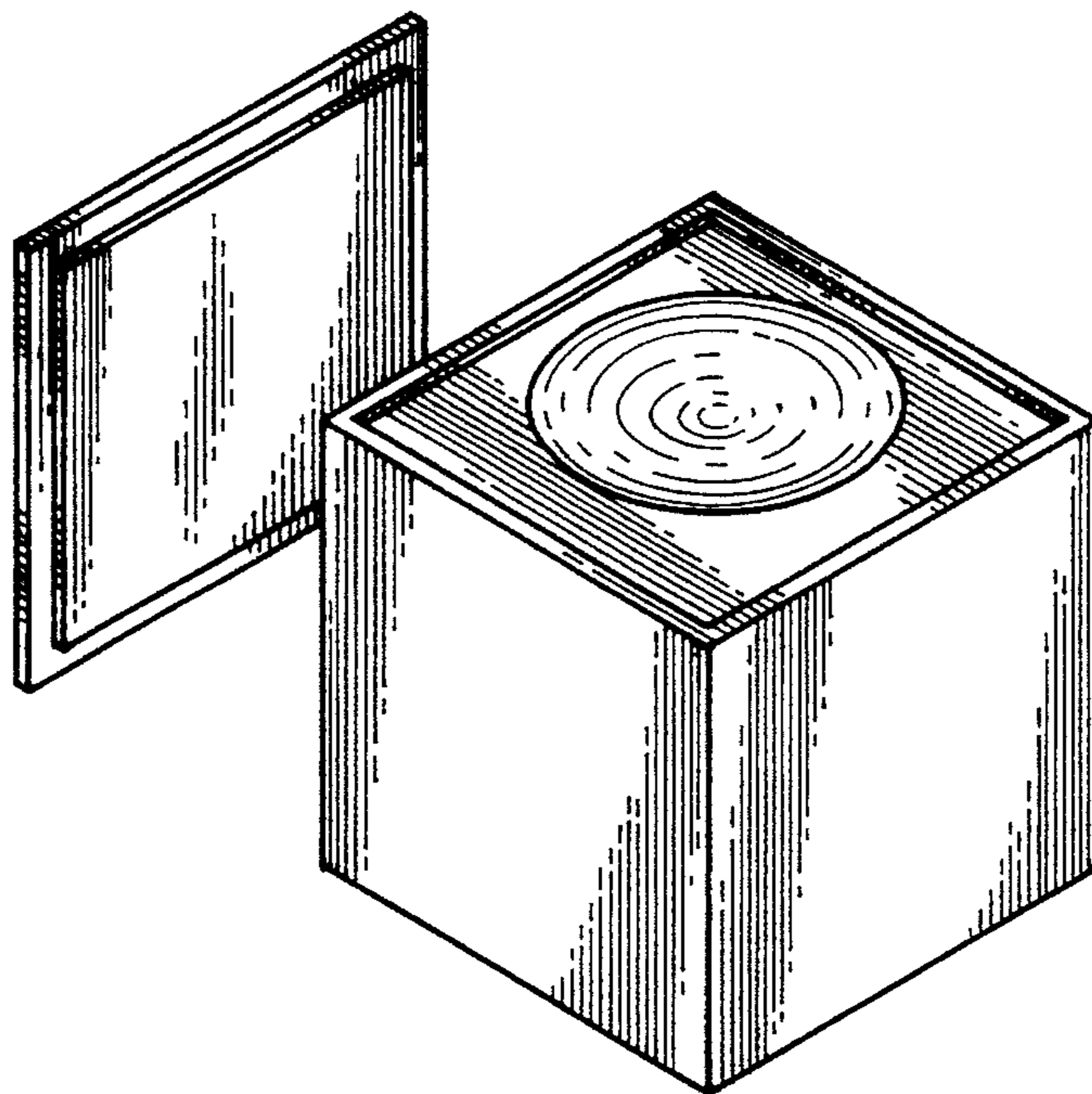
[56] **References Cited**

U.S. PATENT DOCUMENTS

|            |         |               |       |         |
|------------|---------|---------------|-------|---------|
| D. 334,961 | 4/1993  | Allen         | ..... | D21/232 |
| 636,199    | 10/1899 | Davies        | ..... | 473/35  |
| 1,556,064  | 10/1925 | Becker et al. | ..... | 473/36  |
| 1,957,549  | 5/1934  | Matteson      | ..... | 473/36  |
| 4,060,243  | 11/1977 | Langan        | .     |         |
| 4,403,366  | 9/1983  | Lucke         | .     |         |
| 4,953,770  | 9/1990  | Bond          | ..... | 224/250 |
| 5,046,728  | 9/1991  | Haddock       | ..... | 473/36  |
| 5,328,411  | 7/1994  | Thornton, II  | ..... | 473/36  |

FIG. 1 is a front, top and side perspective view of the pool chalk with clothes attaching element showing my new design;  
FIG. 2 is a front elevational view thereof in the assembled condition;  
FIG. 3 is a rear elevational view thereof;  
FIG. 4 is a side elevational view thereof, the side opposite being a mirror image of the side shown in FIG. 4;  
FIG. 5 is a top plan view thereof; and,  
FIG. 6 is a bottom plan view thereof.

**1 Claim, 3 Drawing Sheets**



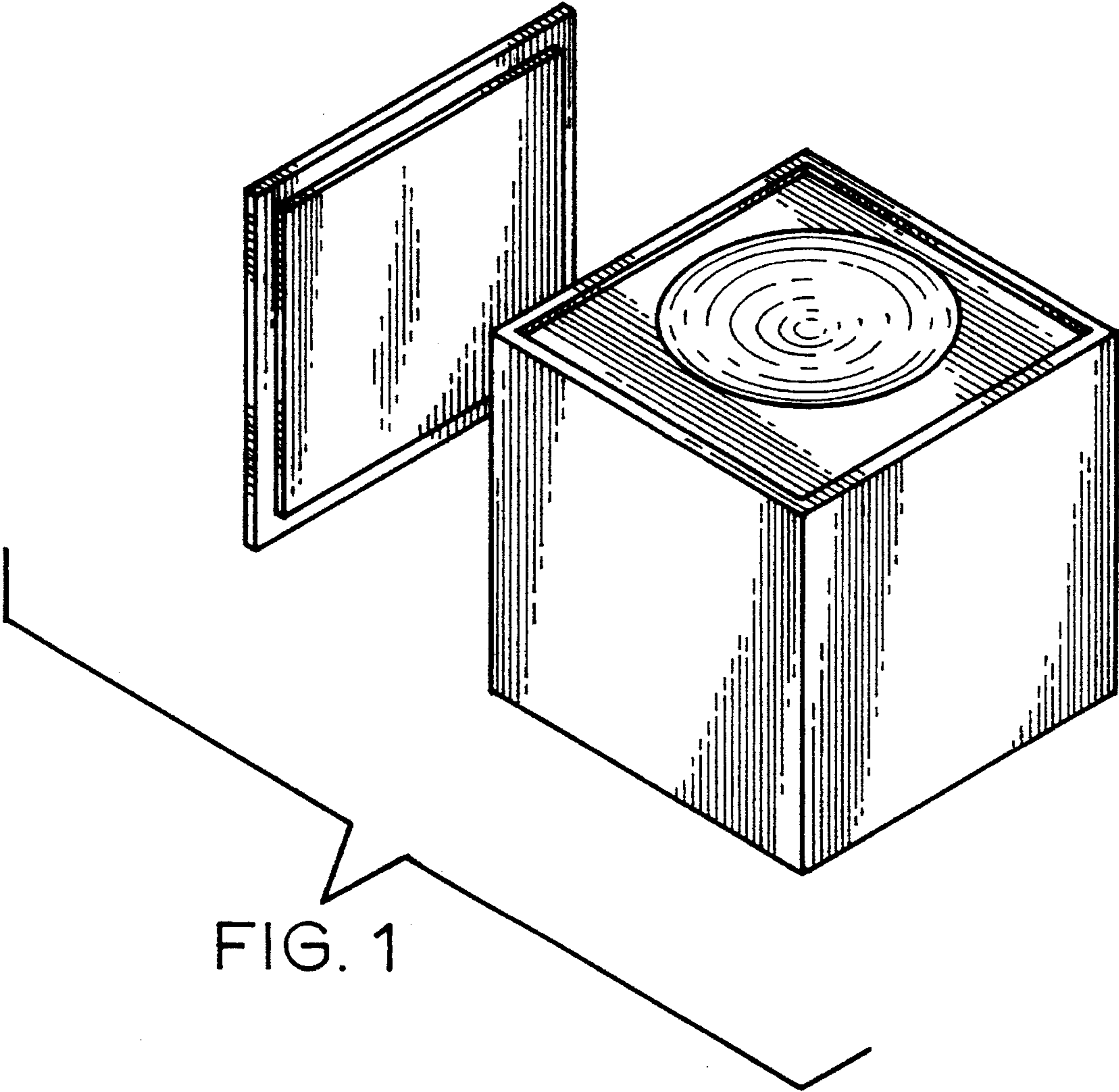


FIG. 1

FIG. 2

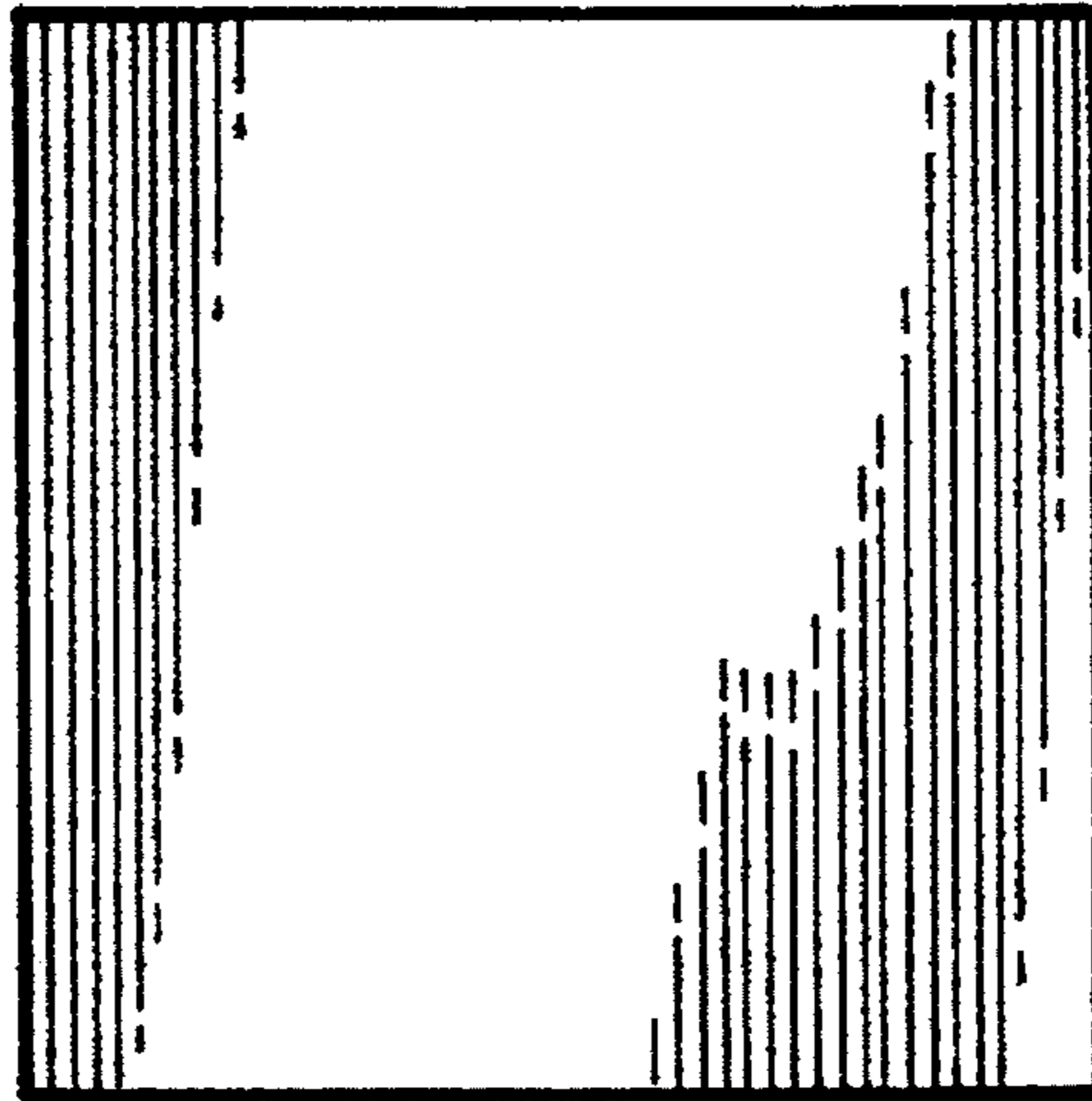
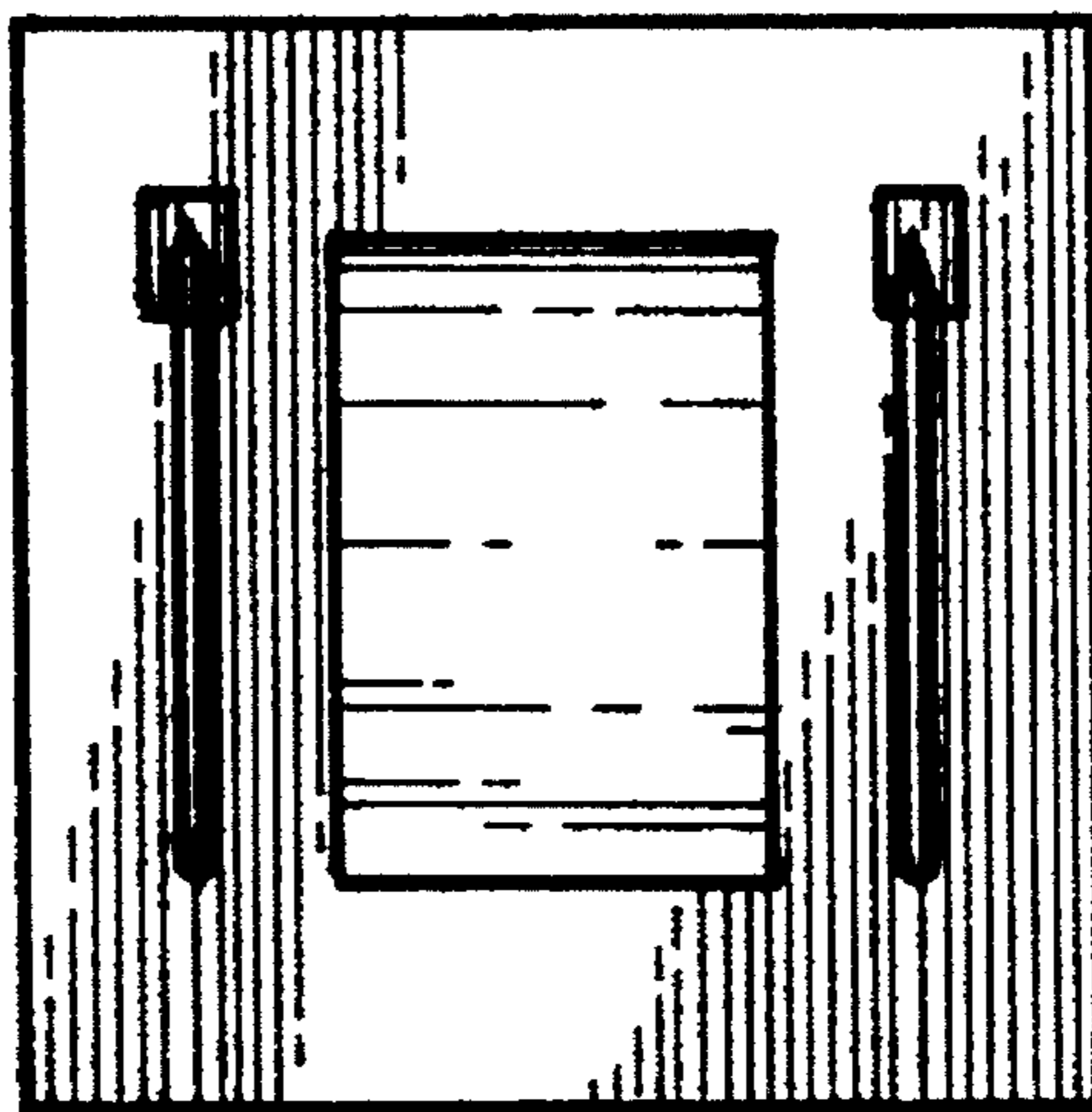


FIG. 3



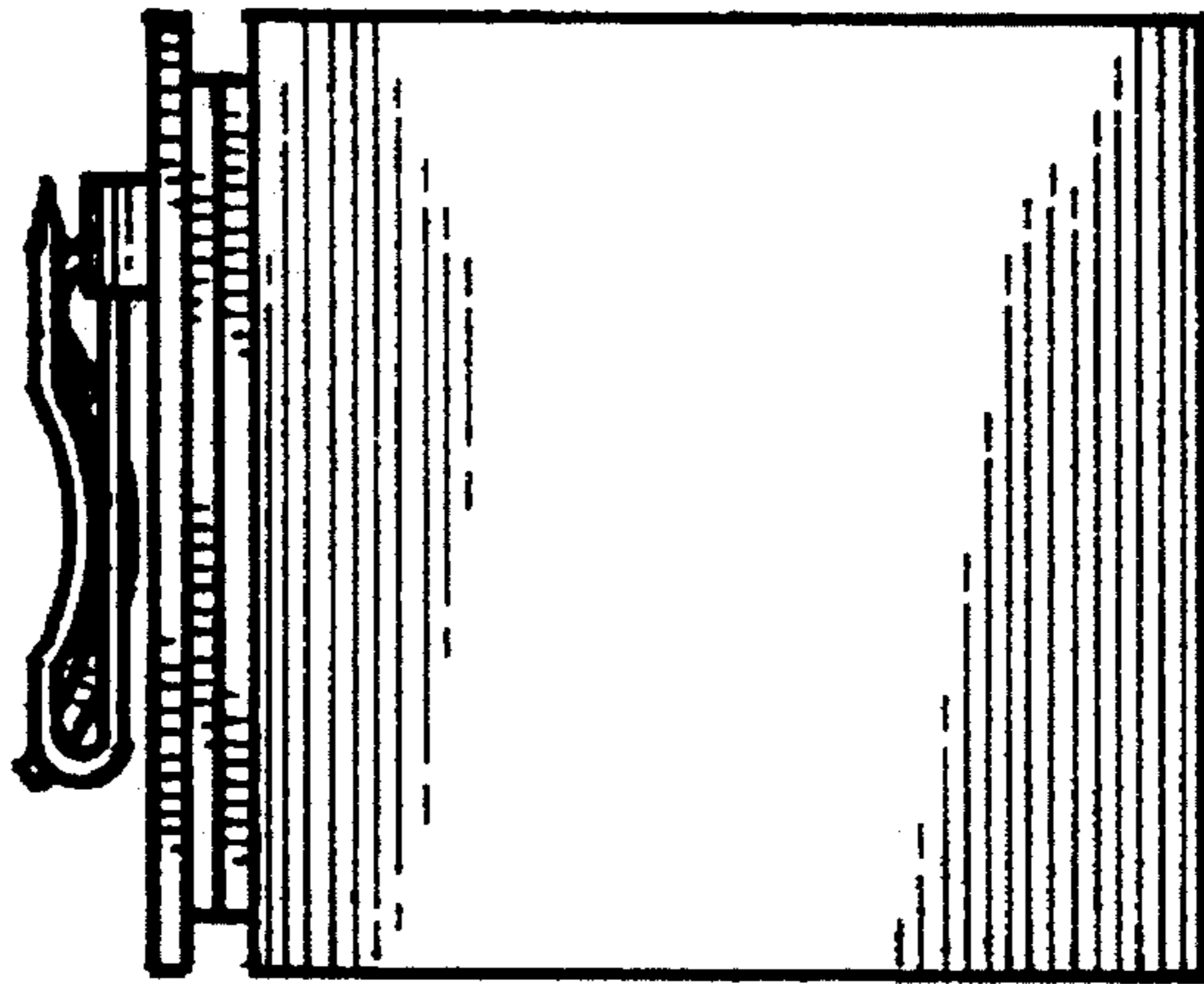


FIG. 4

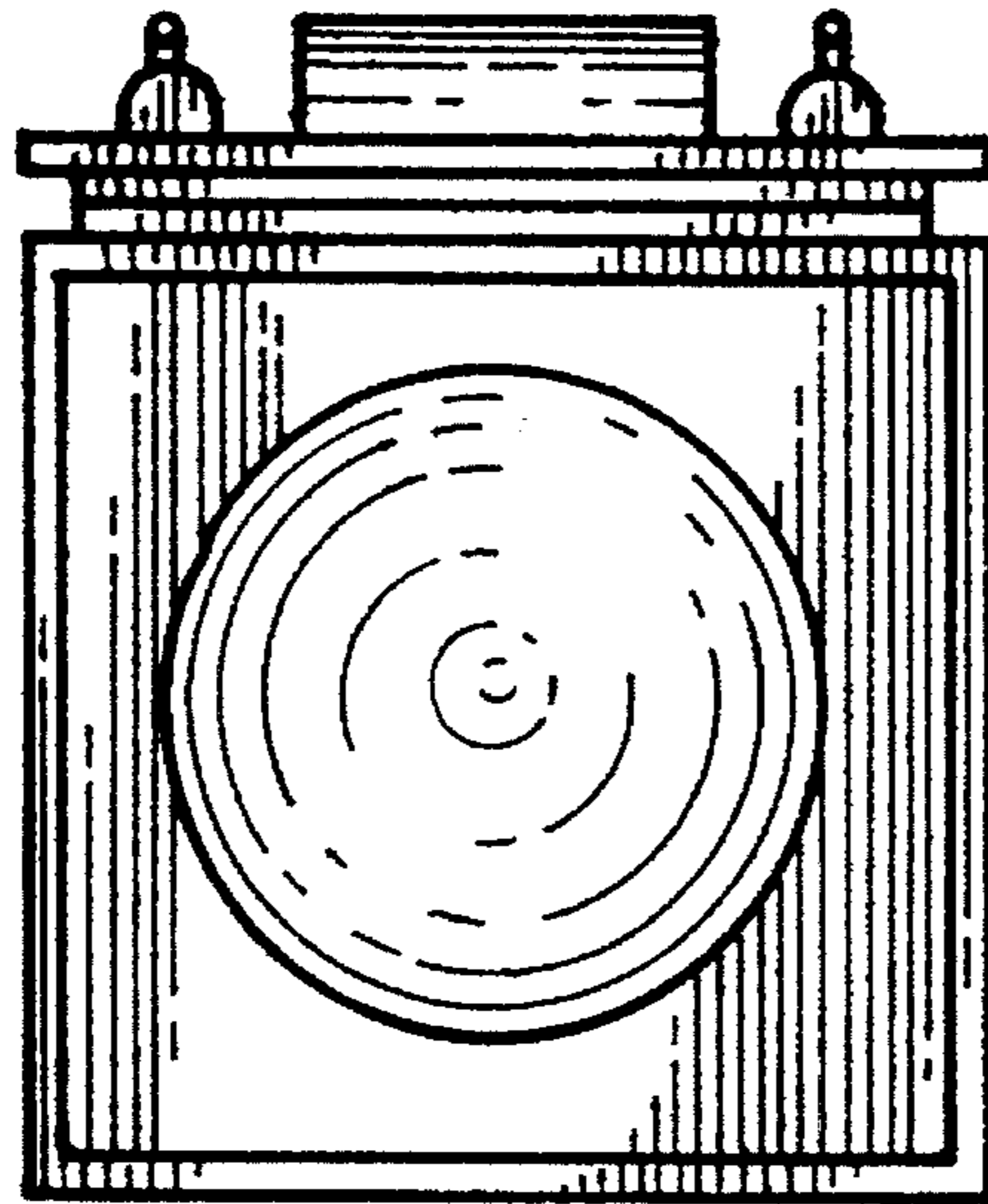


FIG. 5

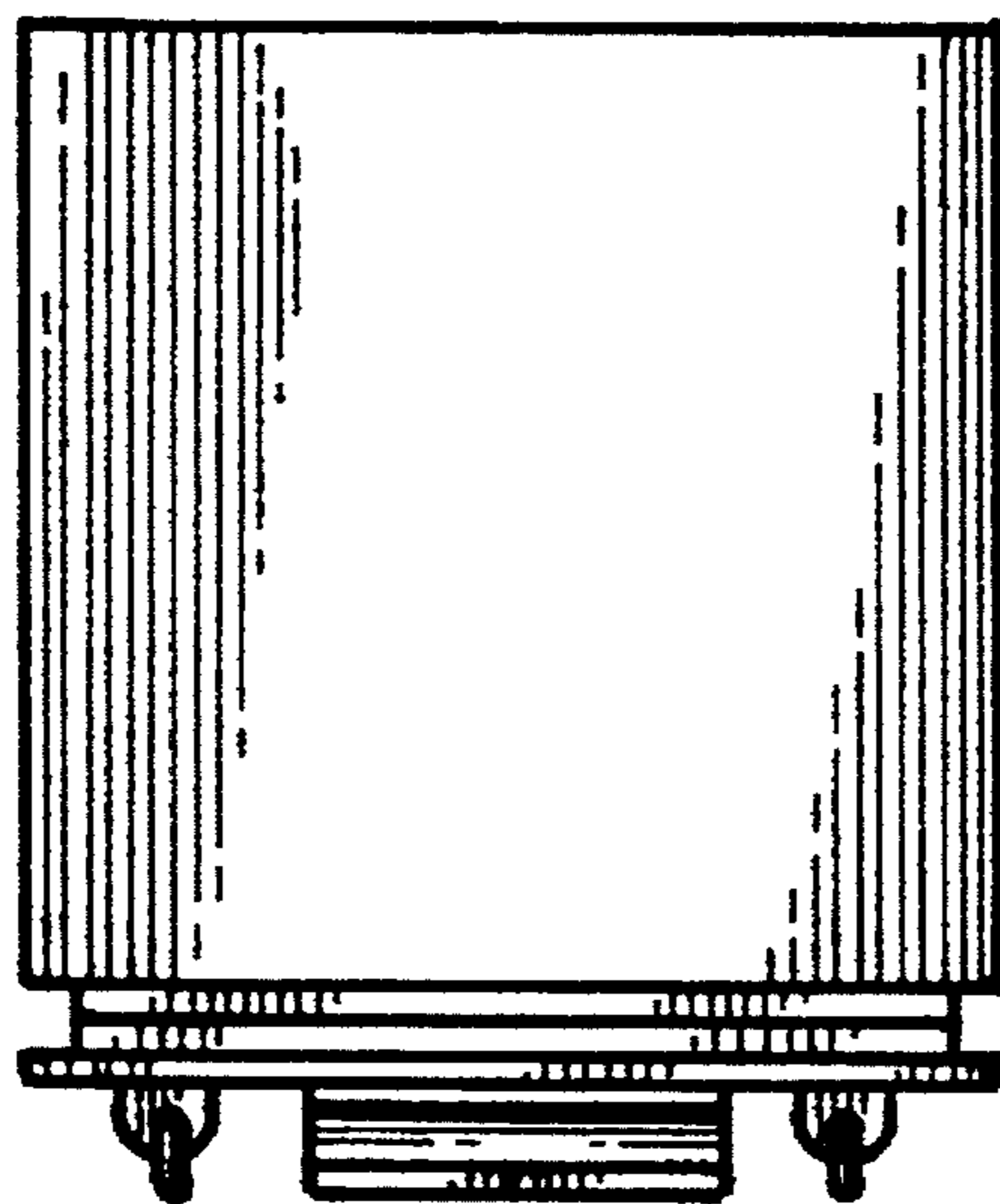


FIG. 6