



US00D364907S

# United States Patent [19]

Estridge et al.

[11] Patent Number: **Des. 364,907**

[45] Date of Patent: **\*\*Dec. 5, 1995**

[54] **GOLF PUTTER**

[75] Inventors: **Robert G. Estridge; David E. Beaudry**, both of Matthews, N.C.

[73] Assignee: **American Zigzag Corporation**, Monroe, N.C.

[\*\*] Term: **14 Years**

[21] Appl. No.: **22,314**

[22] Filed: **May 3, 1994**

[52] U.S. Cl. .... **D21/219**

[58] Field of Search ..... **D21/217-219; 273/167-175**

[56] **References Cited**

**U.S. PATENT DOCUMENTS**

D. 220,274	3/1971	Rango	.....	D21/219
D. 234,962	4/1975	Swash	.....	D21/217
D. 257,869	1/1981	MacDougall	.....	D21/219
D. 268,691	4/1983	Collins	.....	D21/217
D. 320,638	10/1991	Mermillod	.....	D21/219

D. 349,319	8/1994	Bayer	.....	D21/217
2,954,231	9/1960	MacIntyre	.....	273/167 G
2,957,696	10/1960	Warpotas	.....	273/167 G
5,082,277	1/1992	Gingold	.....	273/167 F X

*Primary Examiner*—Terry A. Wallace  
*Assistant Examiner*—Mitchell I. Siegel  
*Attorney, Agent, or Firm*—Shefte, Pinckney & Sawyer

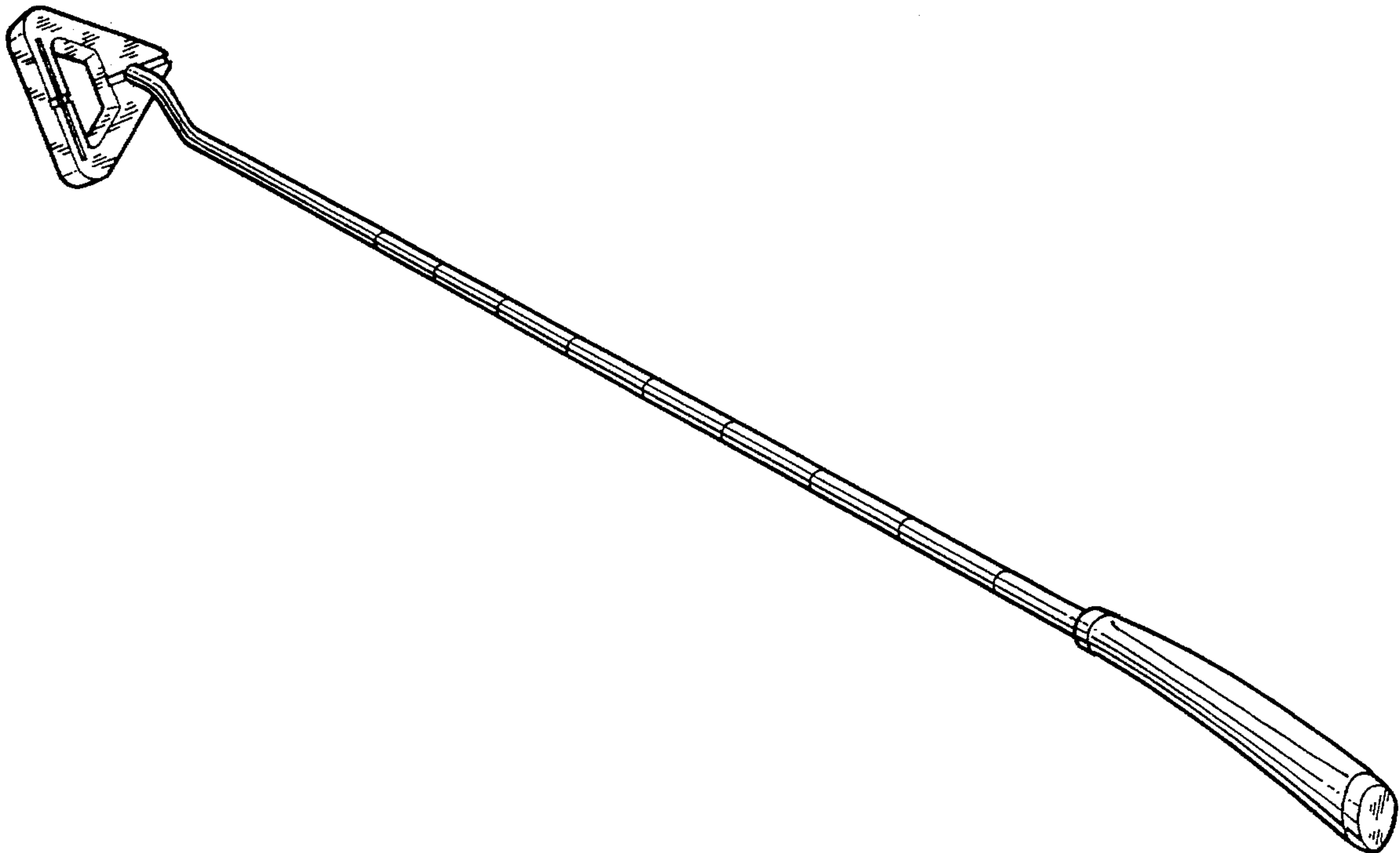
[57] **CLAIM**

The ornamental design for a golf putter, as shown and described.

**DESCRIPTION**

FIG. 1 is a perspective view of a golf putter showing our new design;  
FIG. 2 is a top plan view thereof, the shaft is fragmentarily shown for ease of illustration;  
FIG. 3 is a bottom plan view of FIG. 2;  
FIG. 4 is a front elevational view of FIG. 2;  
FIG. 5 is a right side elevational view of FIG. 2, the undisclosed opposite side being a mirror image; and,  
FIG. 6 is a rear elevational view of FIG. 2.

**1 Claim, 3 Drawing Sheets**



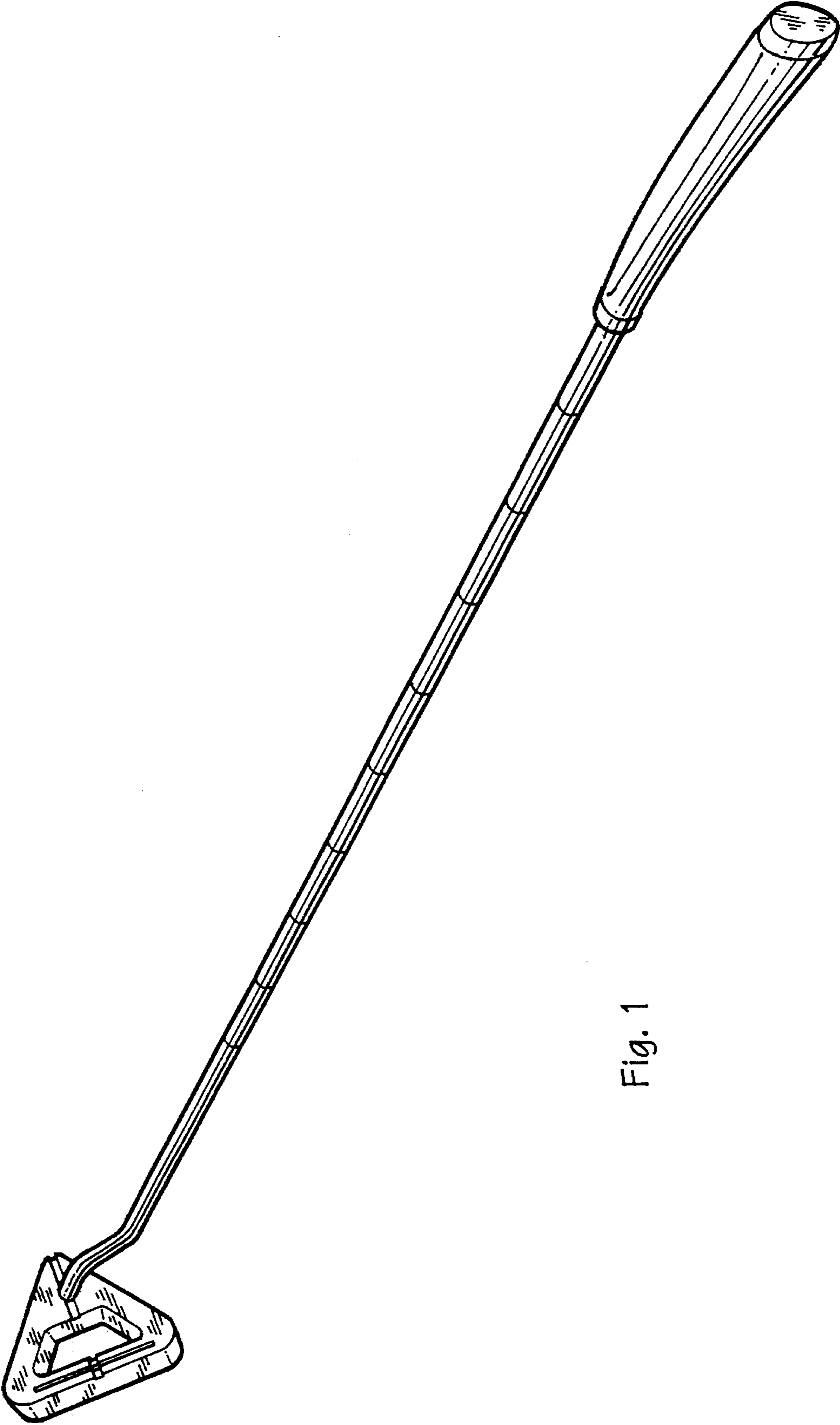


Fig. 1

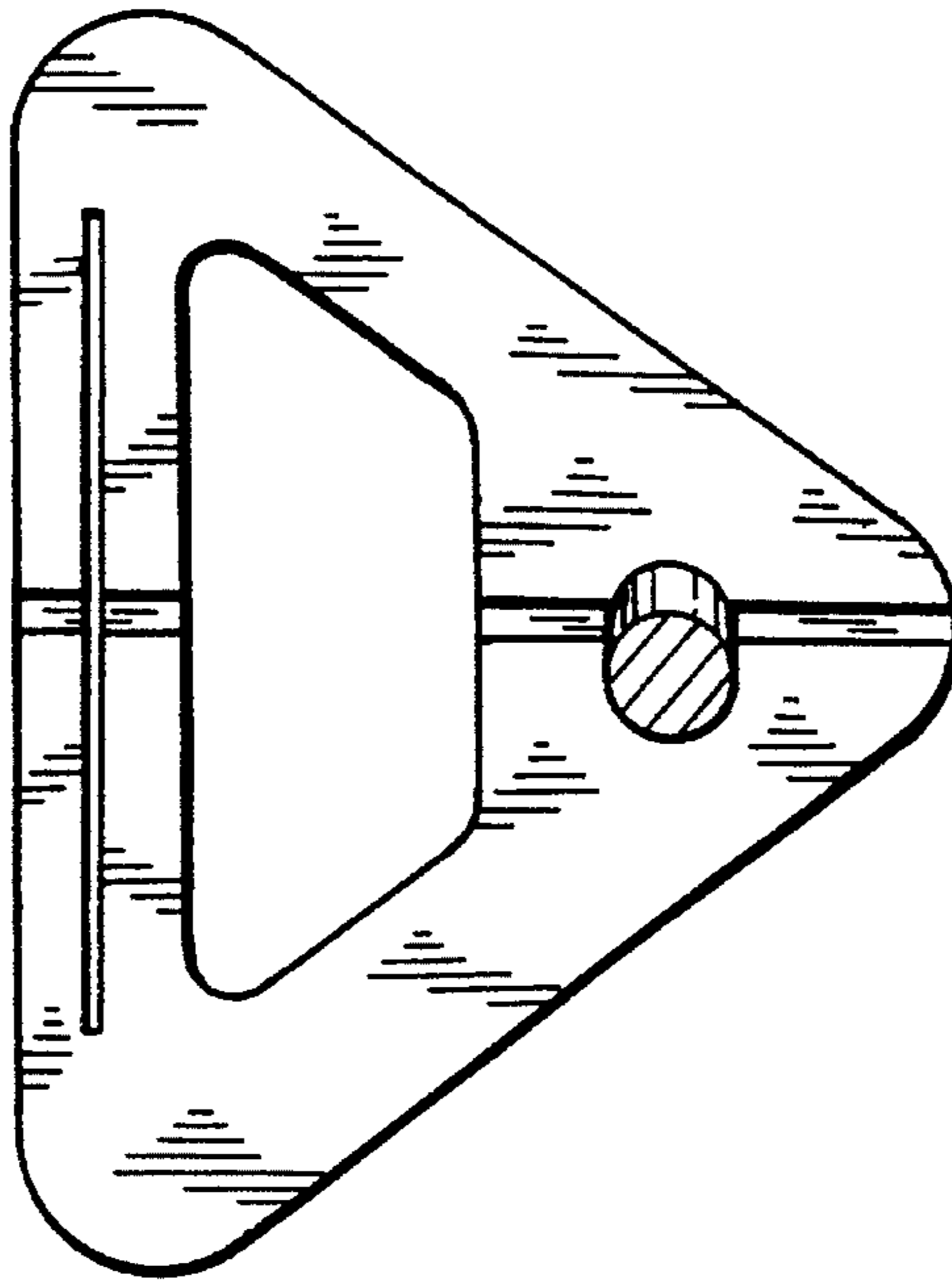


Fig. 2

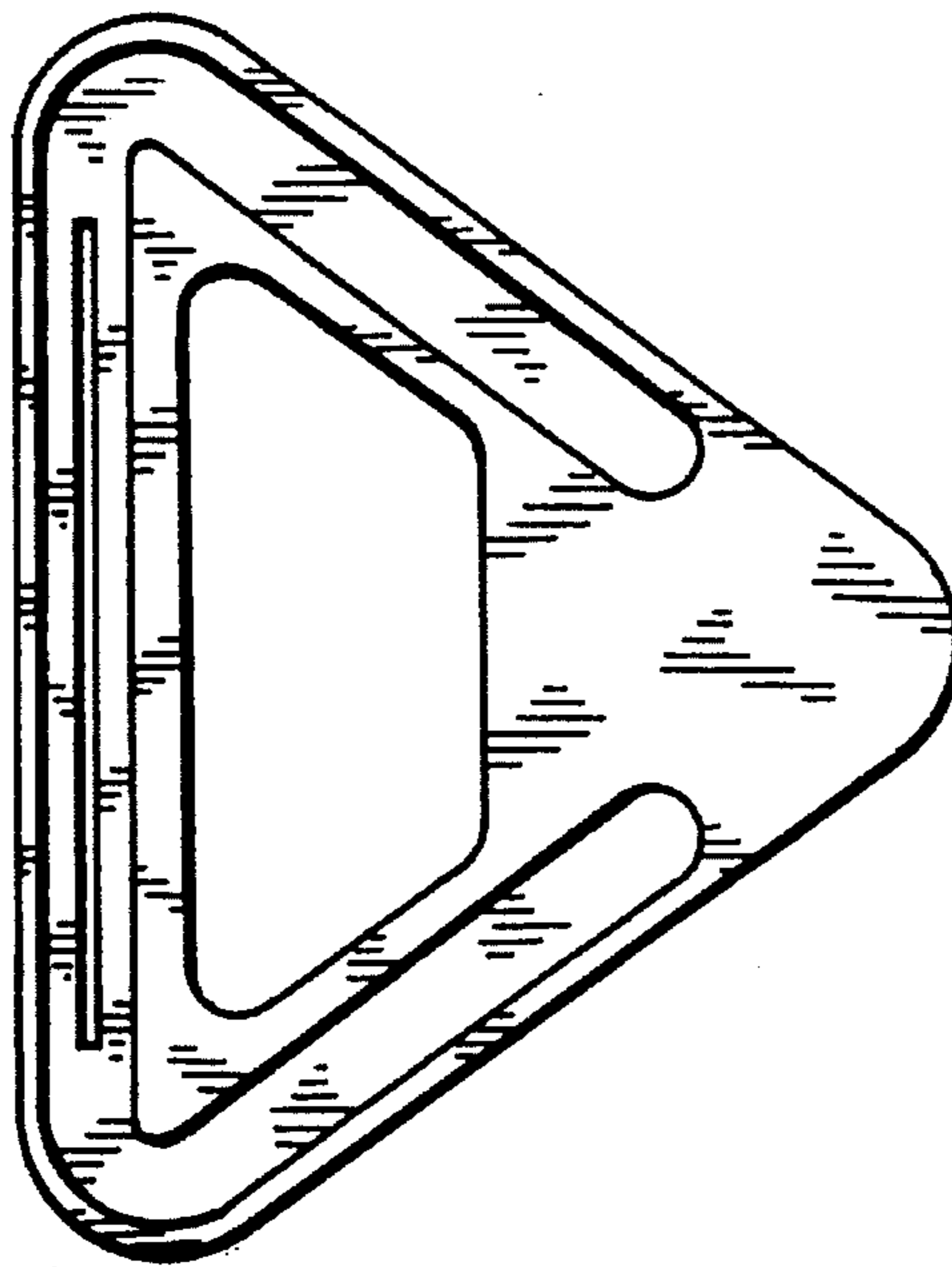


Fig. 3

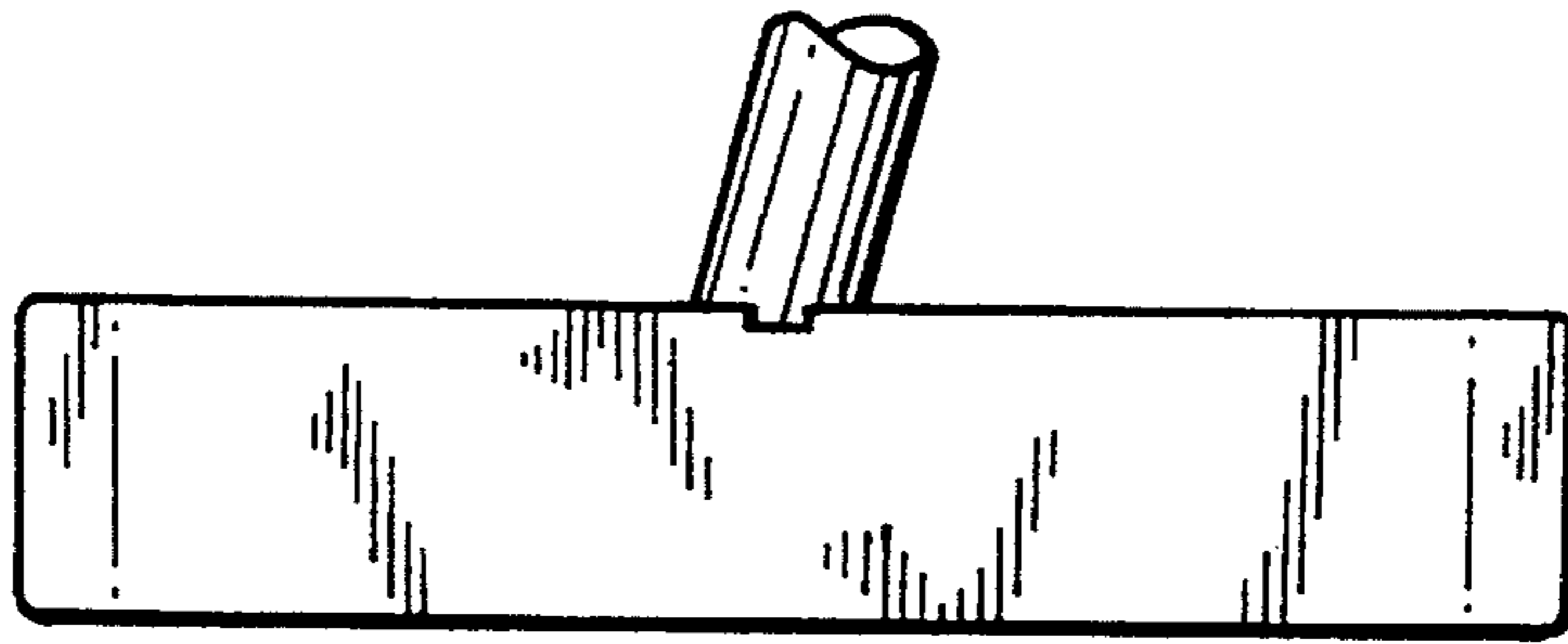


Fig. 4

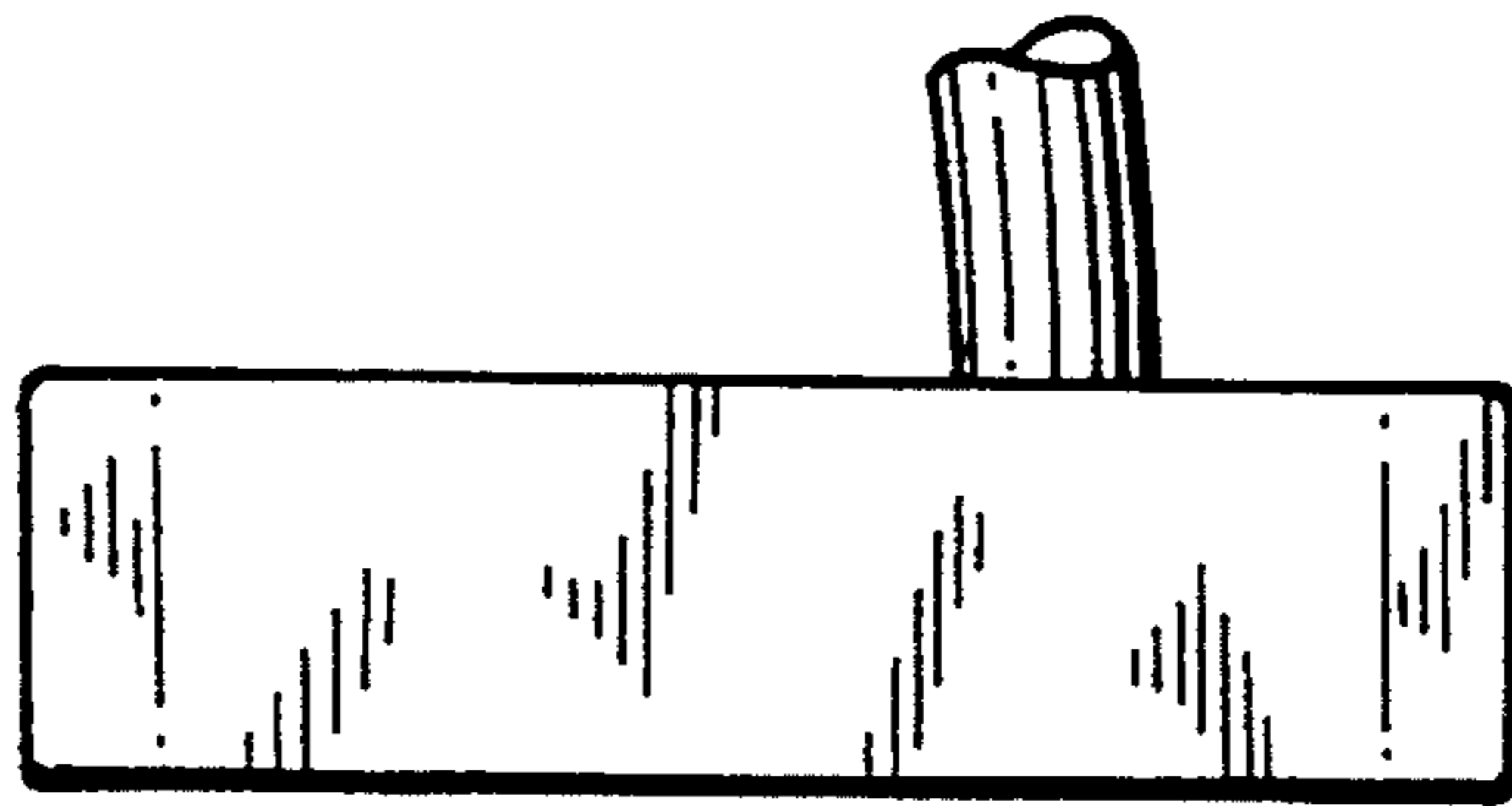


Fig. 5

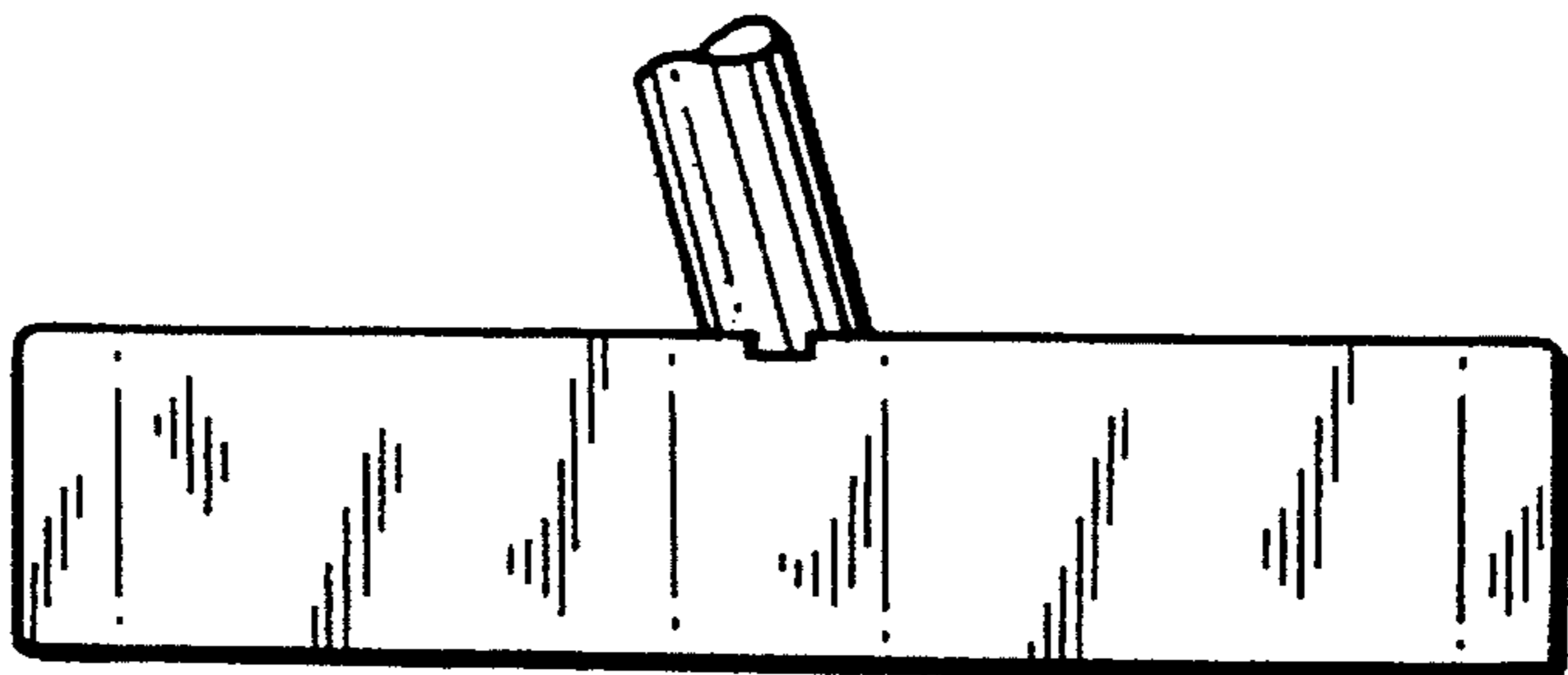


Fig. 6