



US00D364905S

# United States Patent [19]

[11] Patent Number: **Des. 364,905**

**Krottner**

[45] Date of Patent: **\*\*Dec. 5, 1995**

[54] **BOWLING AID DEVICE**

[76] Inventor: **Victor F. Krottner**, 5330 N. Lieb Ave.,  
Chicago, Ill. 60630

[\*\*] Term: **14 Years**

[21] Appl. No.: **21,530**

[22] Filed: **Apr. 19, 1994**

[52] U.S. Cl. .... **D21/210**

[58] Field of Search ..... **D21/210, 233;**  
**273/129 L, 129 M; 473/56, 106, 107**

2,490,802	12/1949	Haniff .	
3,003,766	10/1961	Stanton .....	D21/210 X
3,014,726	12/1961	Angelier .	
3,029,517	4/1962	Frey .	
3,079,153	2/1963	McElhaney .	
3,149,840	9/1964	Swanson .....	273/129 L
3,342,489	9/1967	Waldo .	
4,185,827	1/1980	Allen .	
4,290,606	9/1981	Maxwell .	
5,271,619	12/1993	Caminiti .	

*Primary Examiner*—Ted Shooman  
*Assistant Examiner*—Mitchell I. Siegel

[57] **CLAIM**

The ornamental design for a bowling aid device, as shown and described.

**DESCRIPTION**

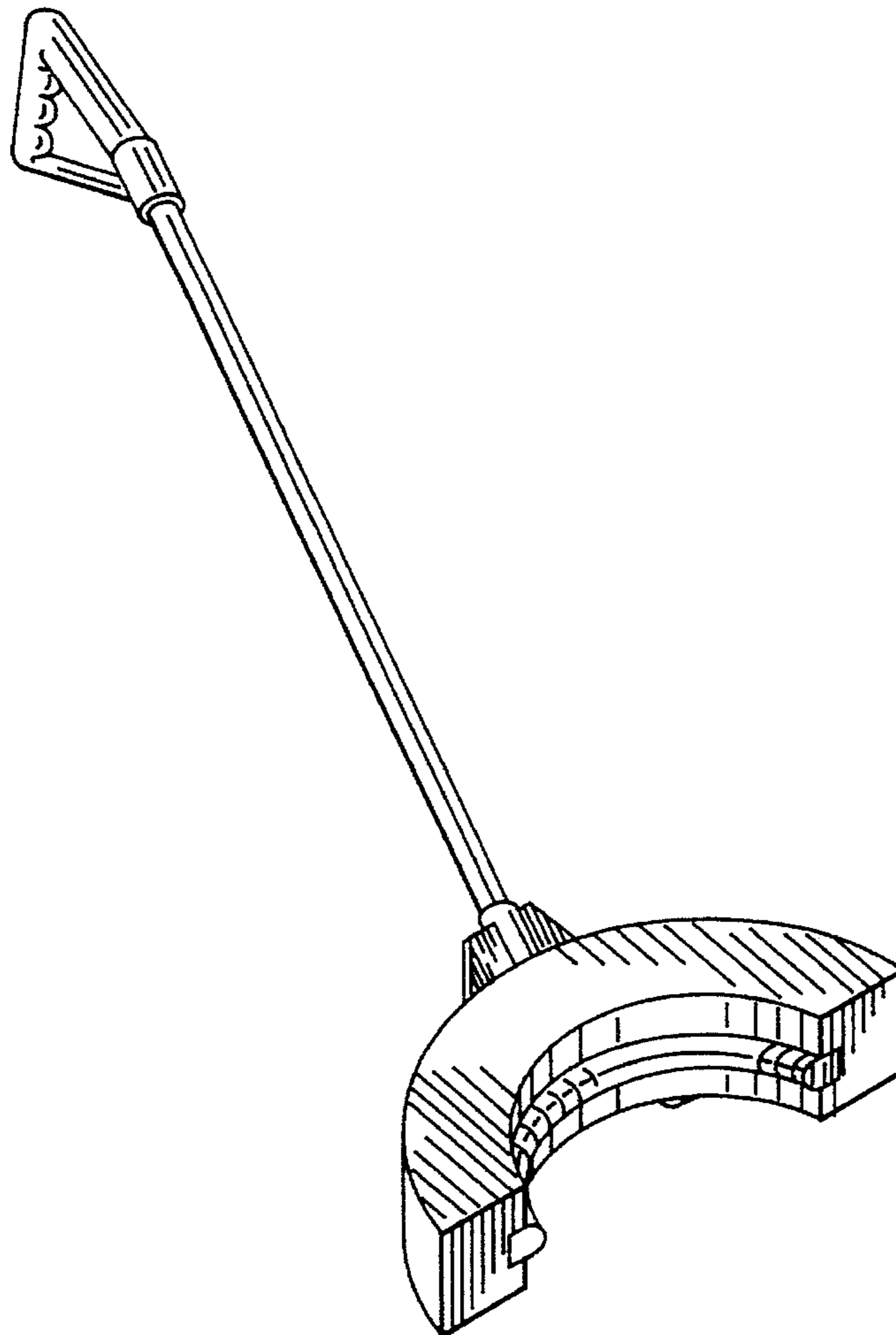
FIG. 1 is a front perspective view showing my new design; FIG. 2 is a front elevation view thereof; FIG. 3 is a left side elevation view thereof; FIG. 4 is a rear elevation view thereof; FIG. 5 is a top plan view thereof; and, FIG. 6 is a bottom plan view thereof.

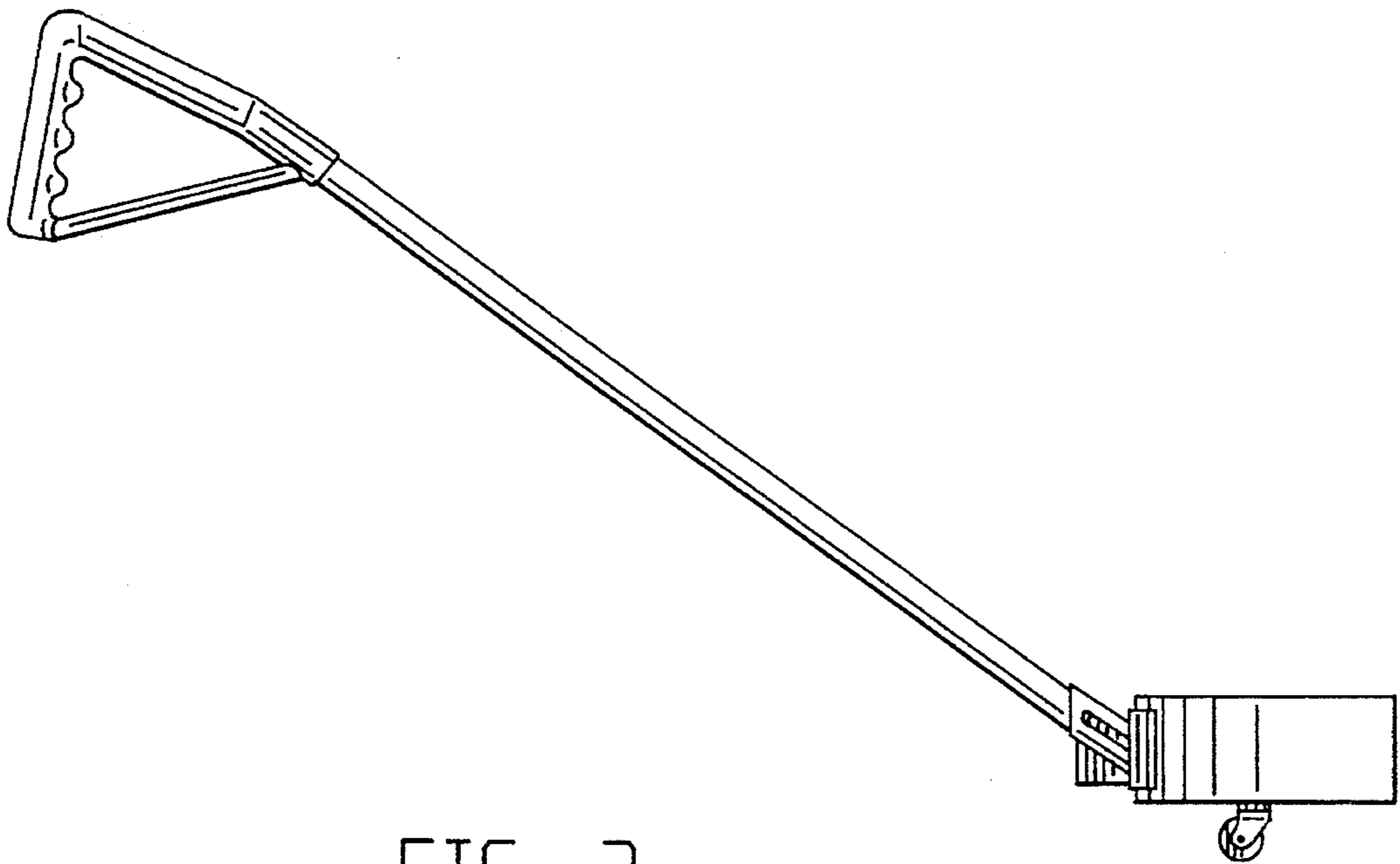
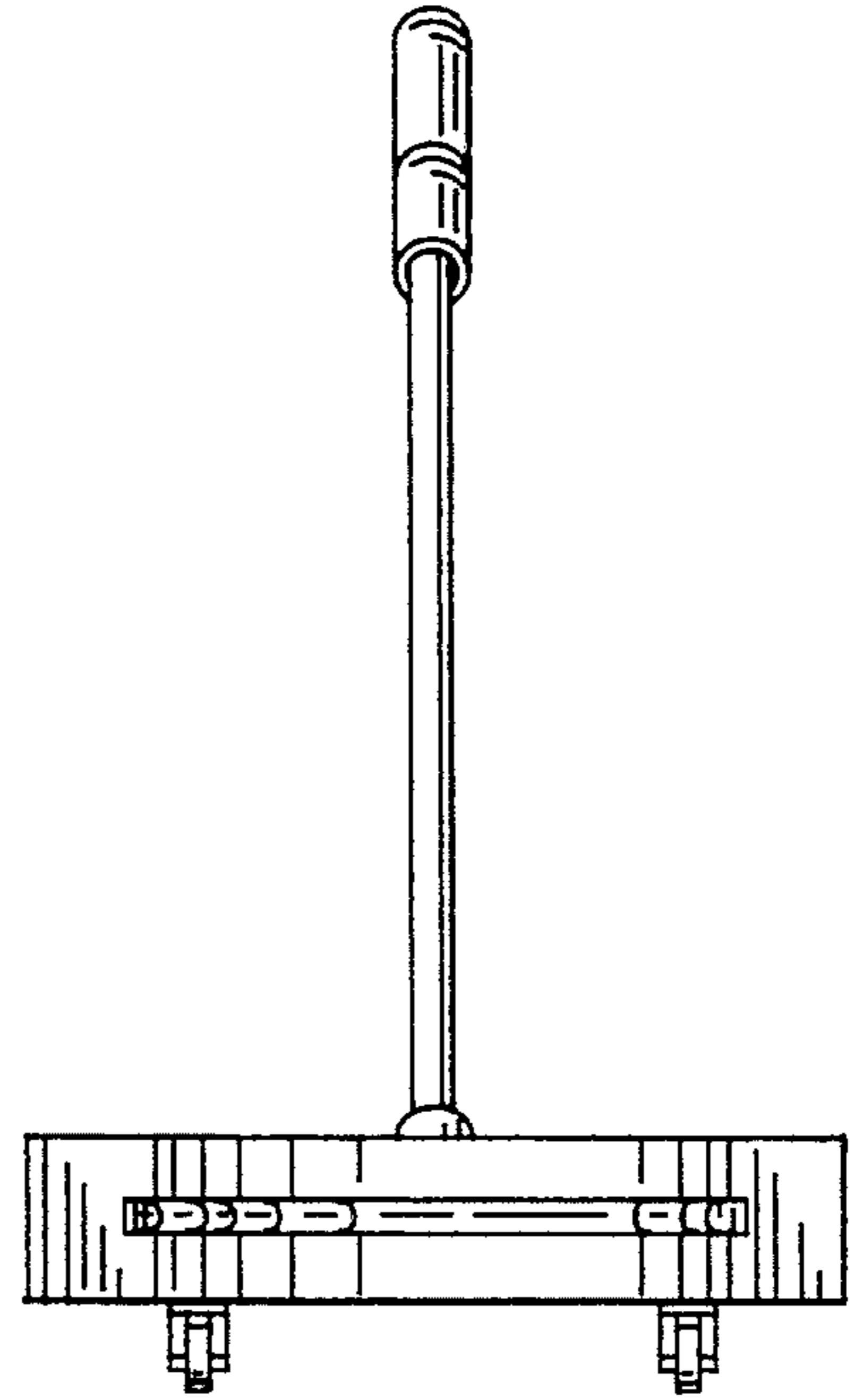
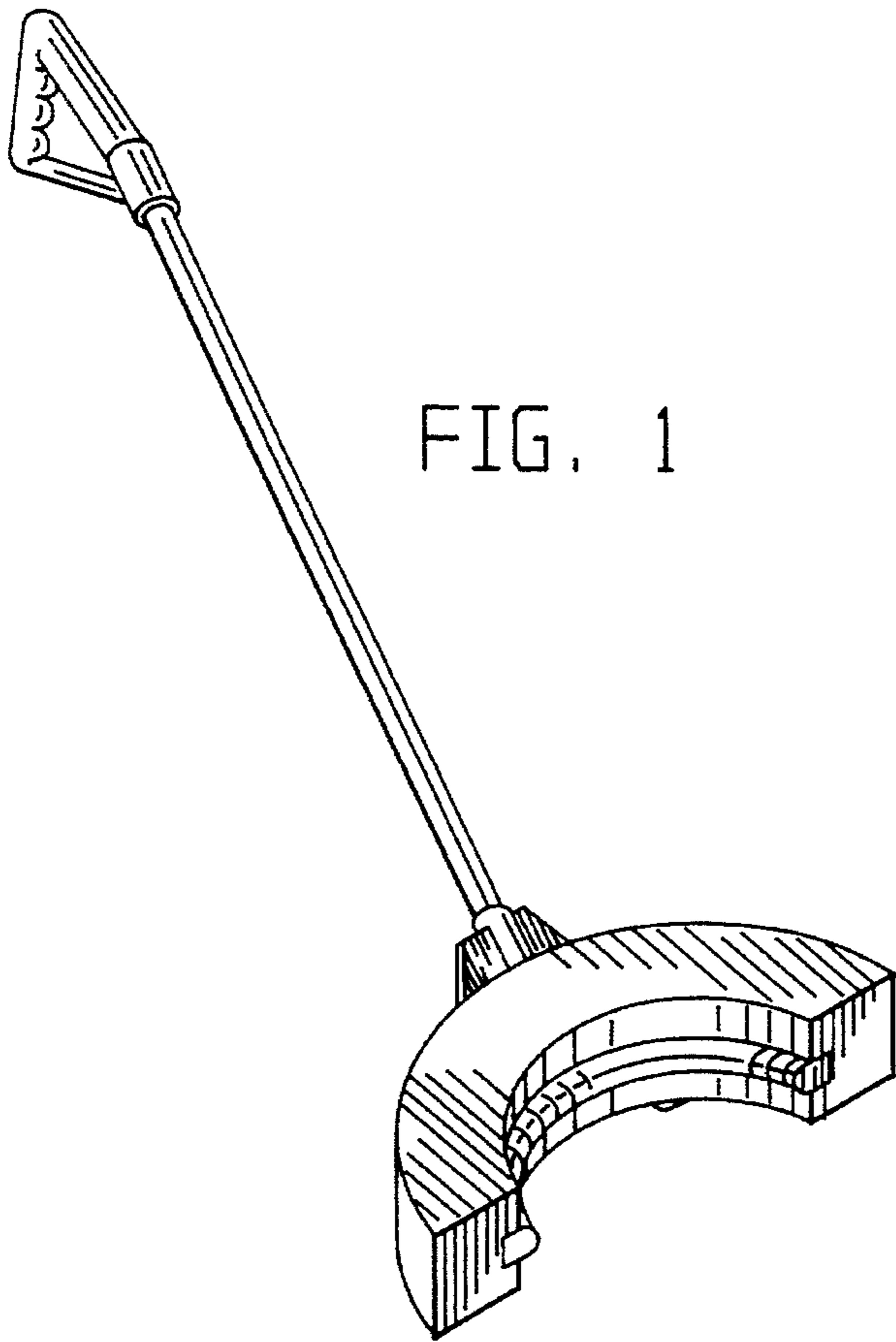
**1 Claim, 2 Drawing Sheets**

[56] **References Cited**

**U.S. PATENT DOCUMENTS**

D. 137,064	1/1944	Roberts .....	D21/210
D. 275,982	10/1984	Heijligers .....	D21/233
D. 281,990	12/1985	McGuire .....	D21/210
1,891,130	12/1932	Wilson .	
1,959,825	5/1934	Hess .	
2,239,391	4/1941	Krause .	
2,263,602	11/1941	Whittle .	
2,280,331	4/1942	Whittle .	
2,433,496	12/1944	Von Pein .	
2,435,855	1/1945	Von Pein .	





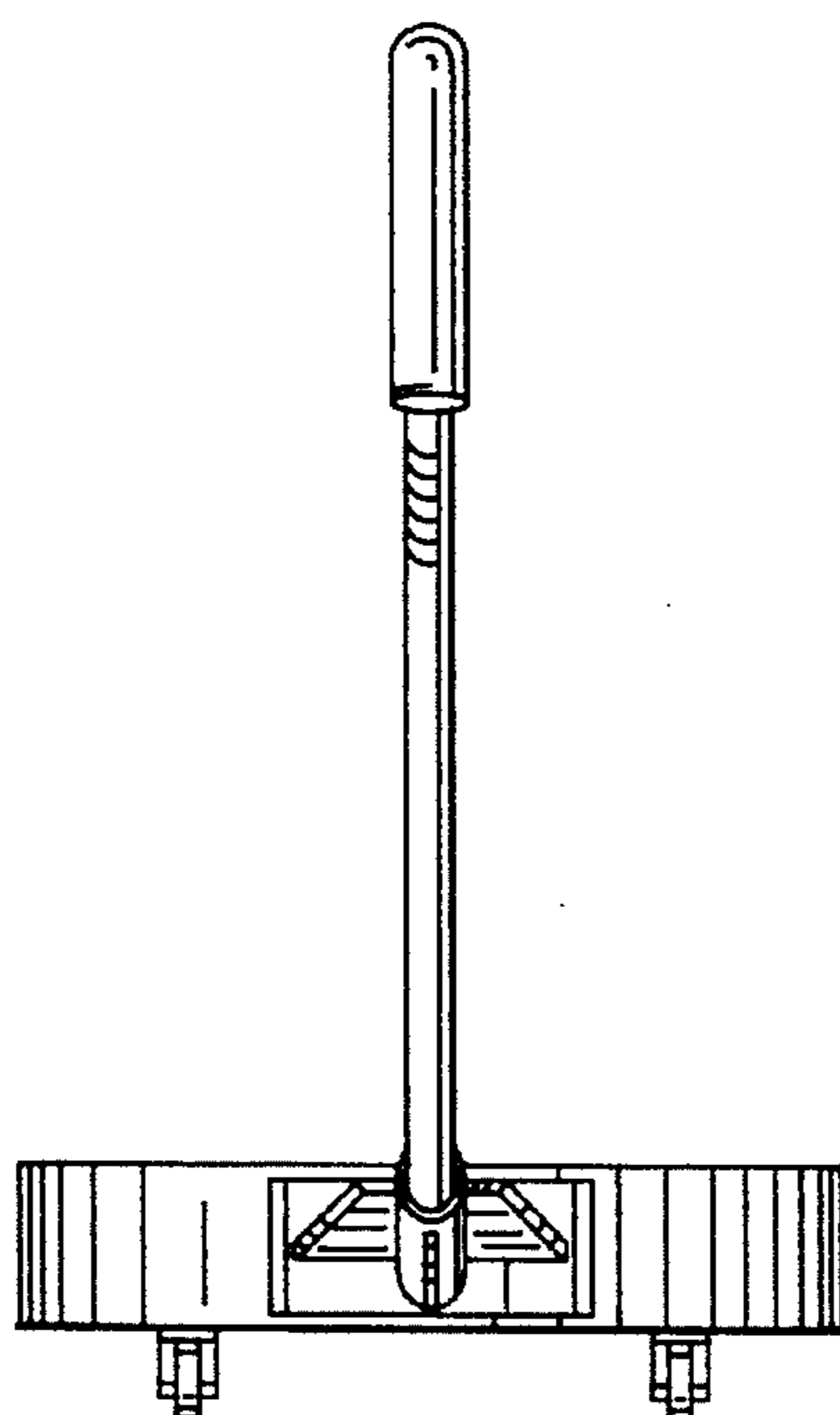


FIG. 4



FIG. 5

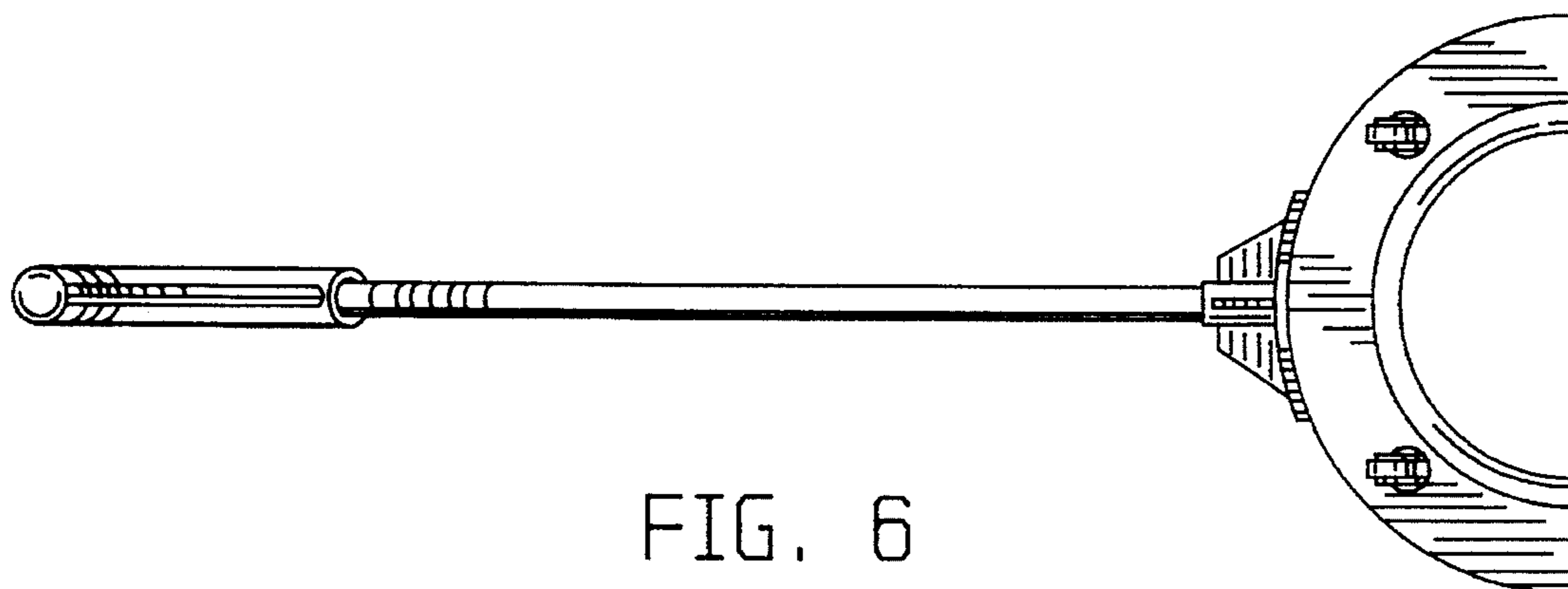


FIG. 6