



US00D364902S

United States Patent [19] Fleming

[11] **Patent Number:** **Des. 364,902**
[45] **Date of Patent:** ****Dec. 5, 1995**

[54] **EXERCISE SUPPORT**

[76] Inventor: **John P. Fleming**, Packard Way,
Brockton, Mass. 02401

[**] Term: **14 Years**

[21] Appl. No.: **29,198**

[22] Filed: **Sep. 30, 1994**

[52] U.S. Cl. **D21/198**

[58] Field of Search D21/191, 198,
D21/196, 197; D8/45, 107; 482/91, 141,
100, 49, 115

[56] **References Cited**

U.S. PATENT DOCUMENTS

D. 269,691	7/1983	Ornstein et al.	D21/191
D. 277,927	3/1985	Zieglmeier	D8/45
D. 278,966	5/1985	Anaya	D8/45
D. 289,882	5/1987	Gringer	D8/45
D. 332,981	2/1993	Poli	D21/198
D. 354,100	1/1995	Tsay et al.	D21/191
2,817,347	12/1957	Hilt, Sr.	482/141
3,115,338	12/1963	Acs et al.	482/141
3,686,703	8/1972	Ray	15/235.4
4,327,907	5/1982	DeVries	482/141

4,768,778	9/1988	Thomas, Jr.	482/141
5,181,897	1/1993	Agan	482/141
5,193,244	3/1993	Meyers	15/235.4
5,205,802	4/1993	Swisher	482/141

FOREIGN PATENT DOCUMENTS

383394	1/1908	France	15/235.4
--------	--------	--------------	----------

Primary Examiner—Ted Shooman
Assistant Examiner—Philip Hyder
Attorney, Agent, or Firm—Donald Brown

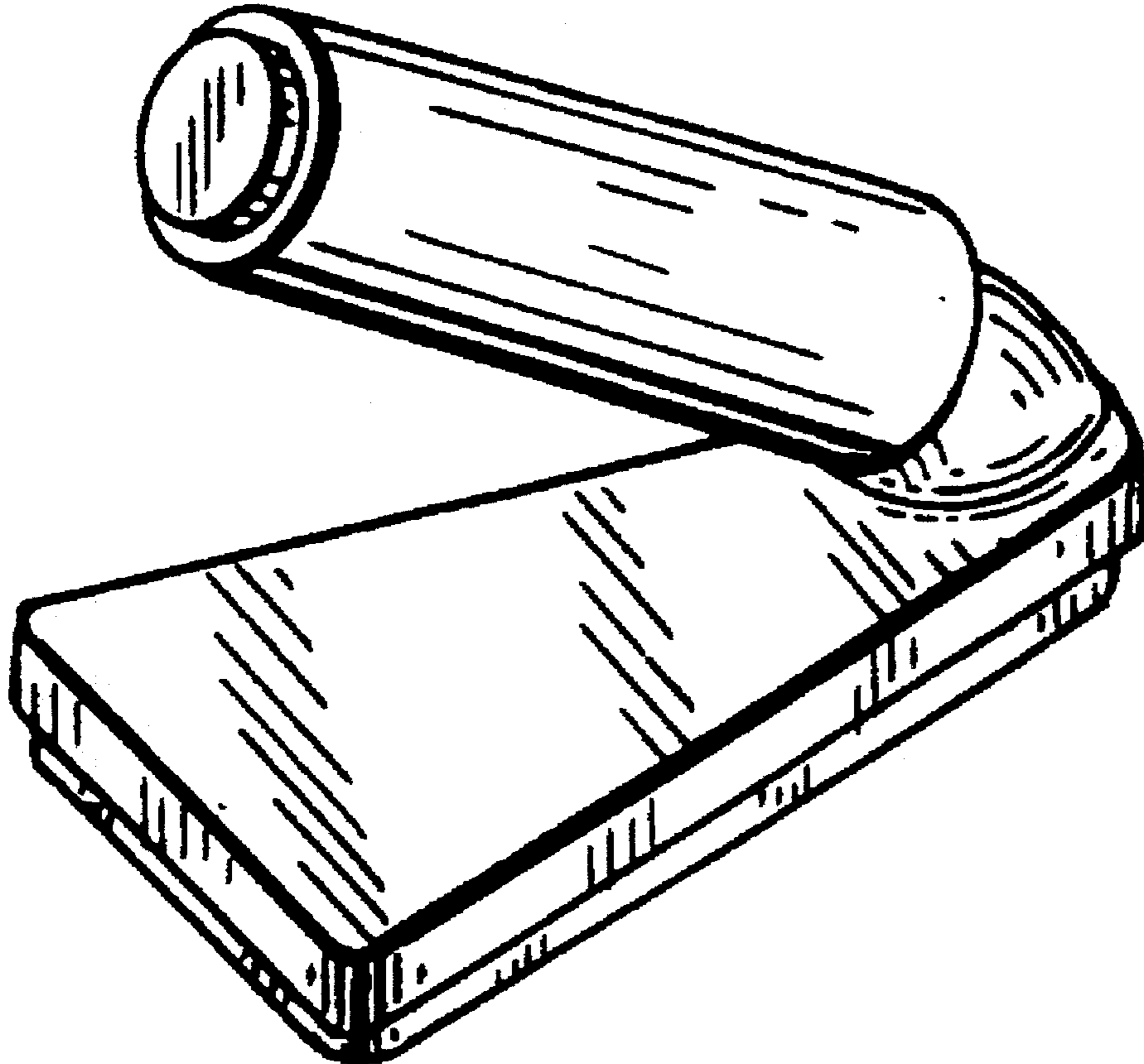
[57] CLAIM

The ornamental design for an exercise support, as shown and described.

DESCRIPTION

FIG. 1 is a perspective of the exercise support showing my new design;
FIG. 2 is a top plan view thereof;
FIG. 3 is a front elevational view thereof, the rear view being a mirror image;
FIG. 4 is a left side elevational view thereof;
FIG. 5 is a right side elevational view thereof; and,
FIG. 6 is a bottom view thereof.

1 Claim, 1 Drawing Sheet



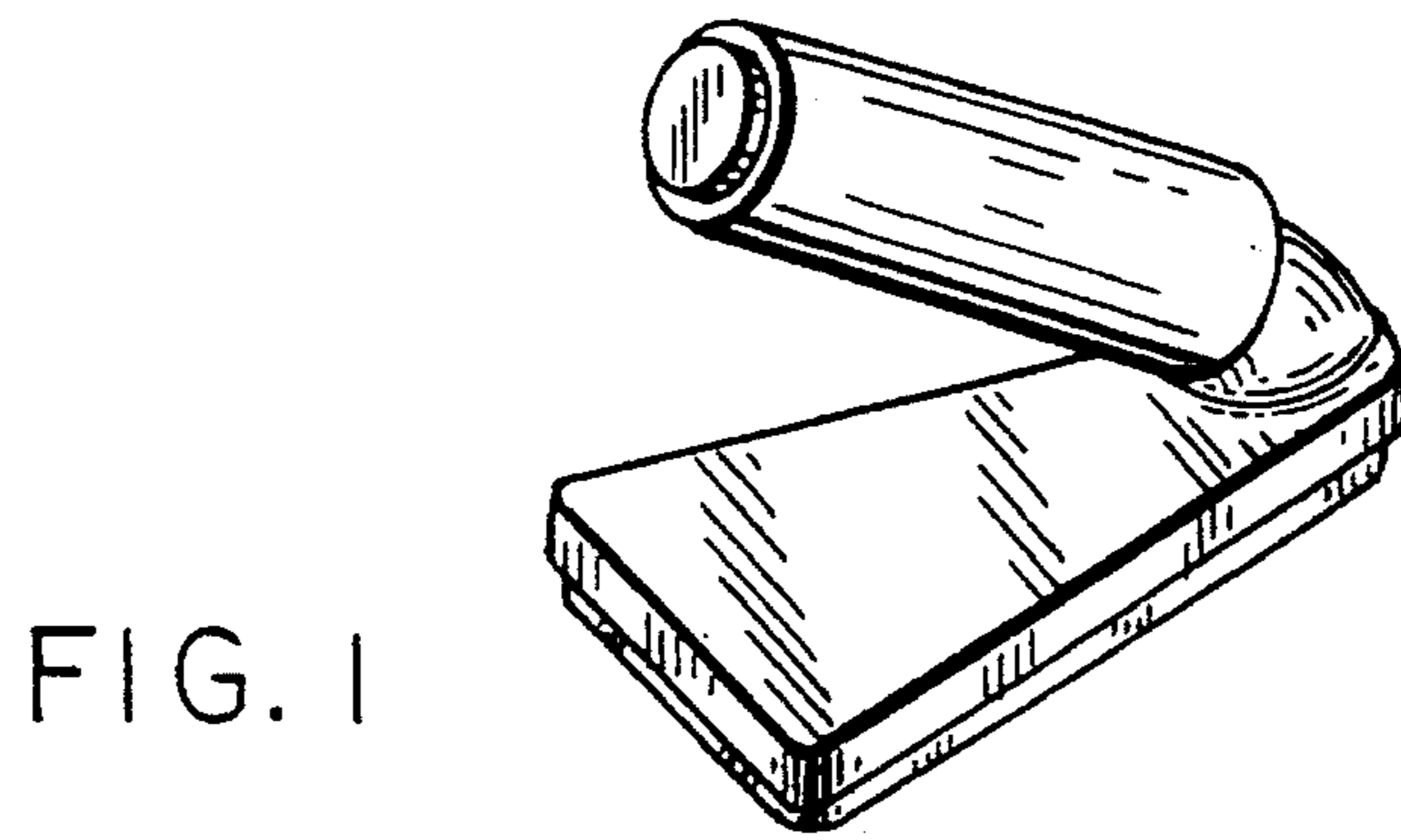


FIG. 1

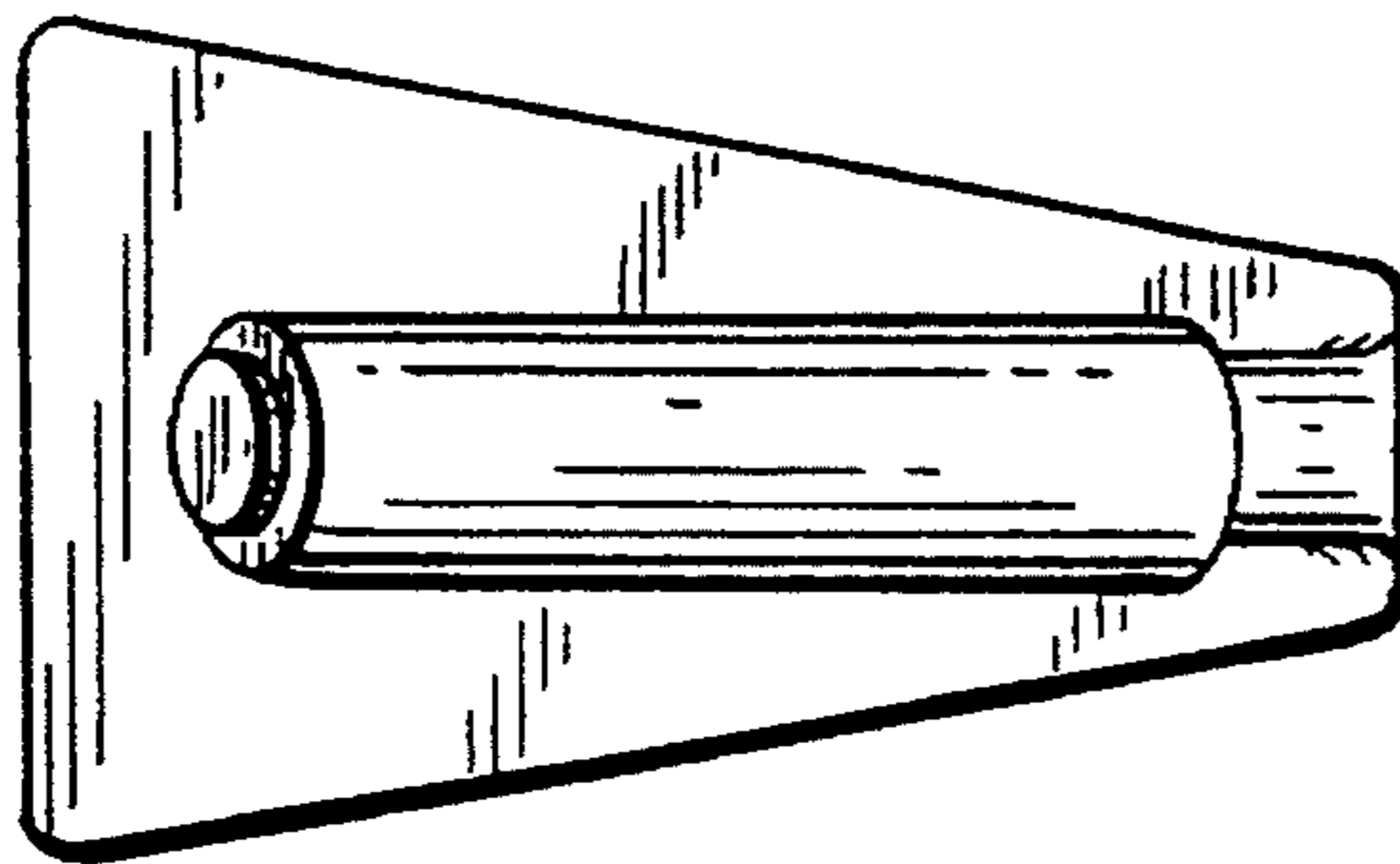


FIG. 2

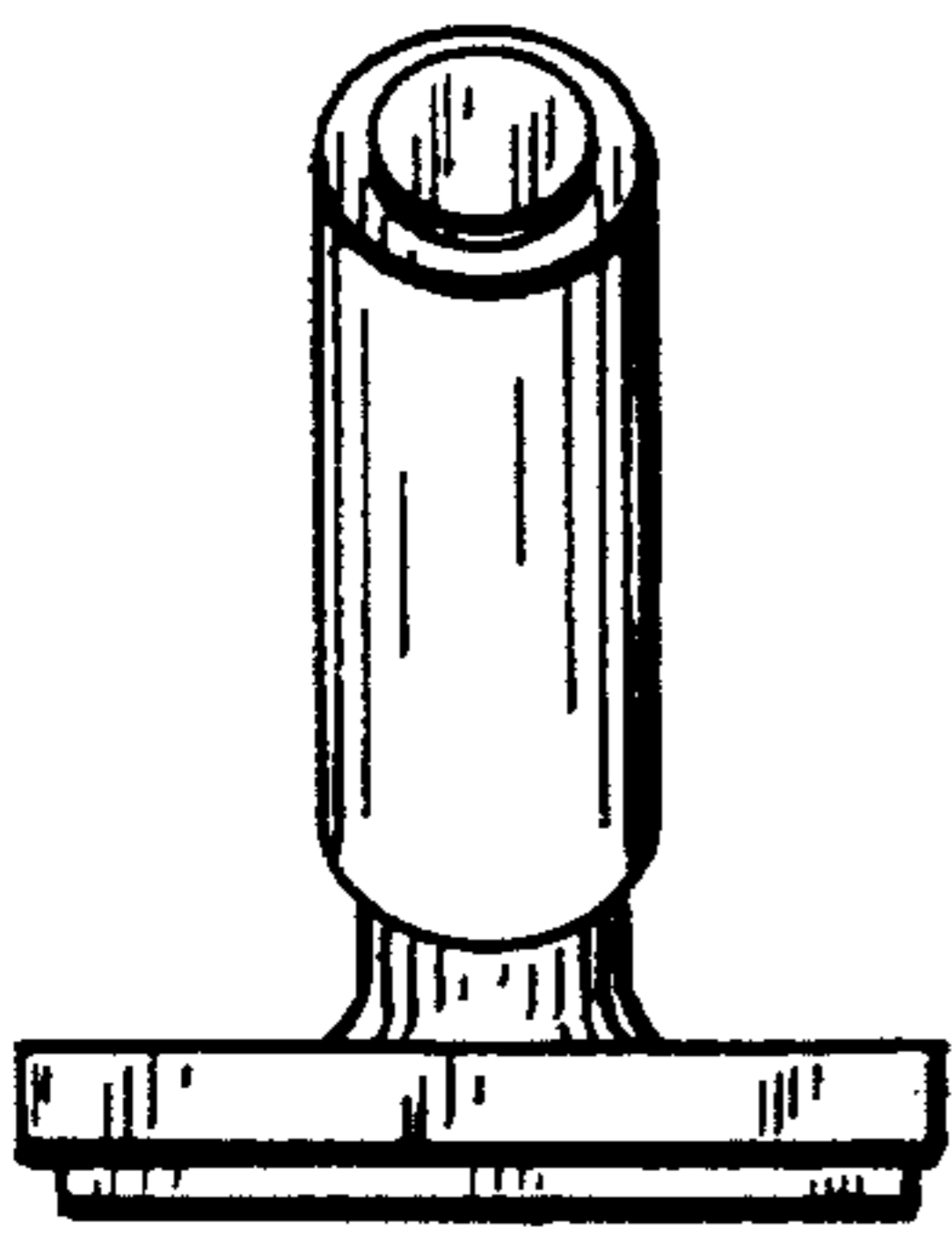


FIG. 4

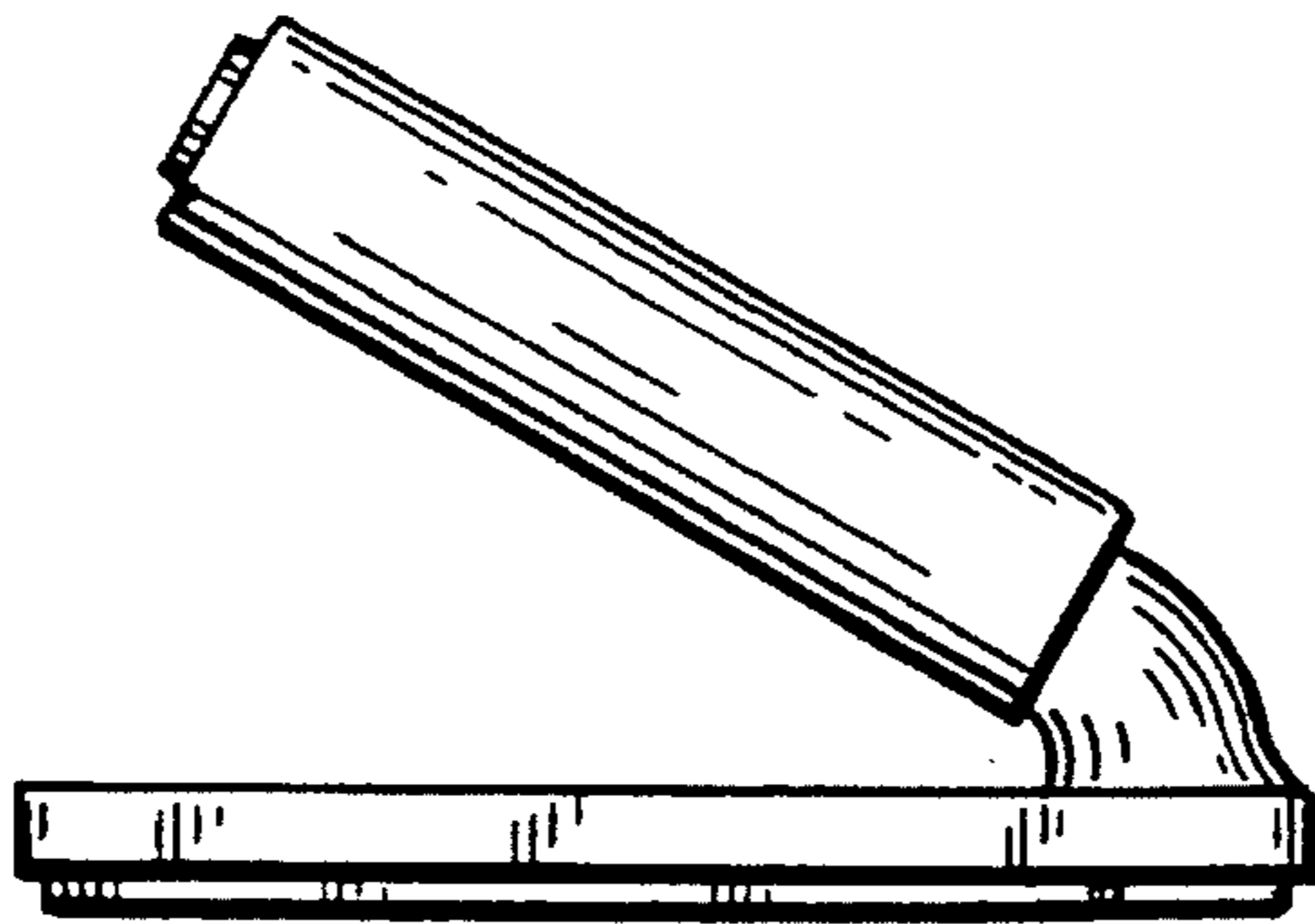


FIG. 3

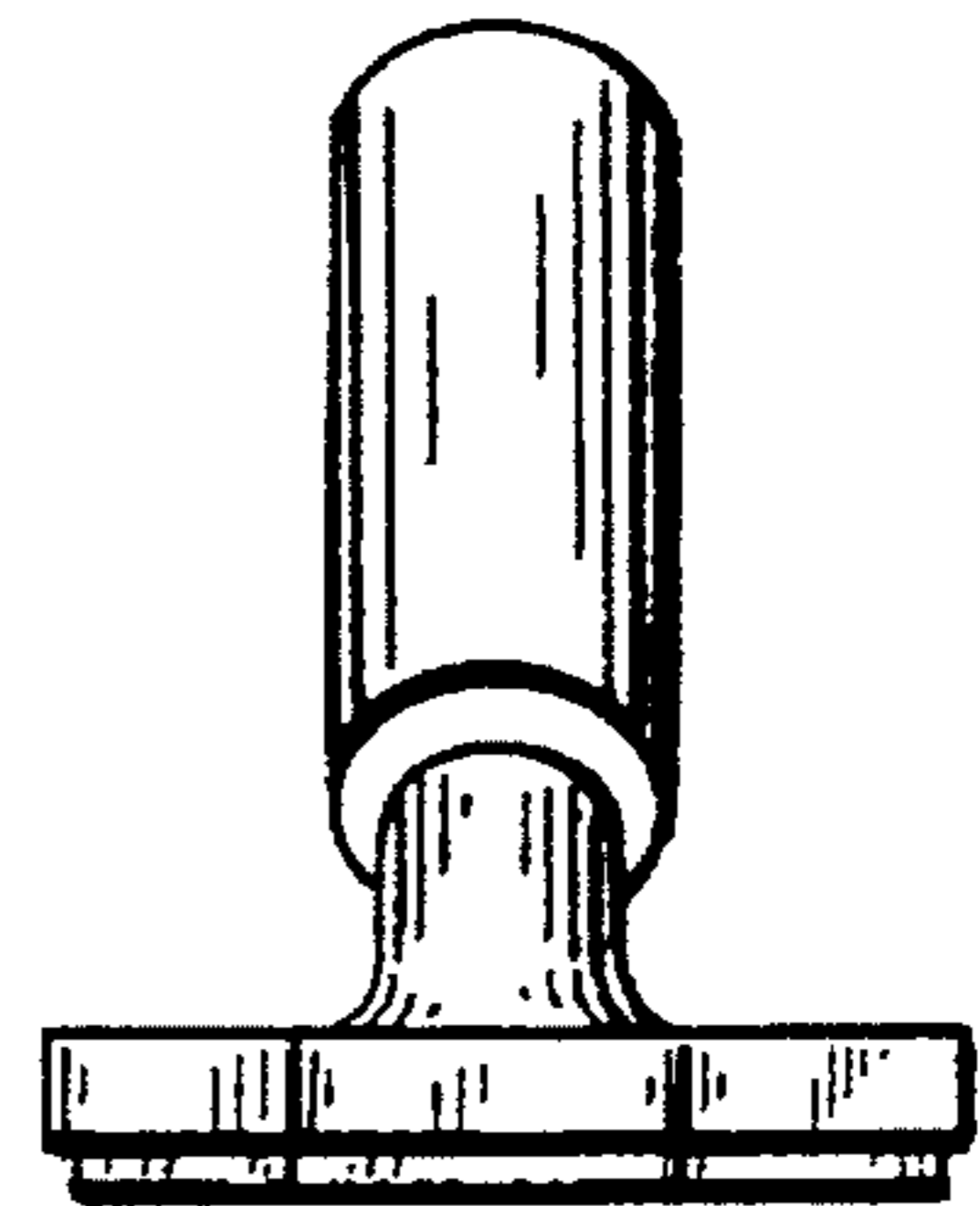


FIG. 5

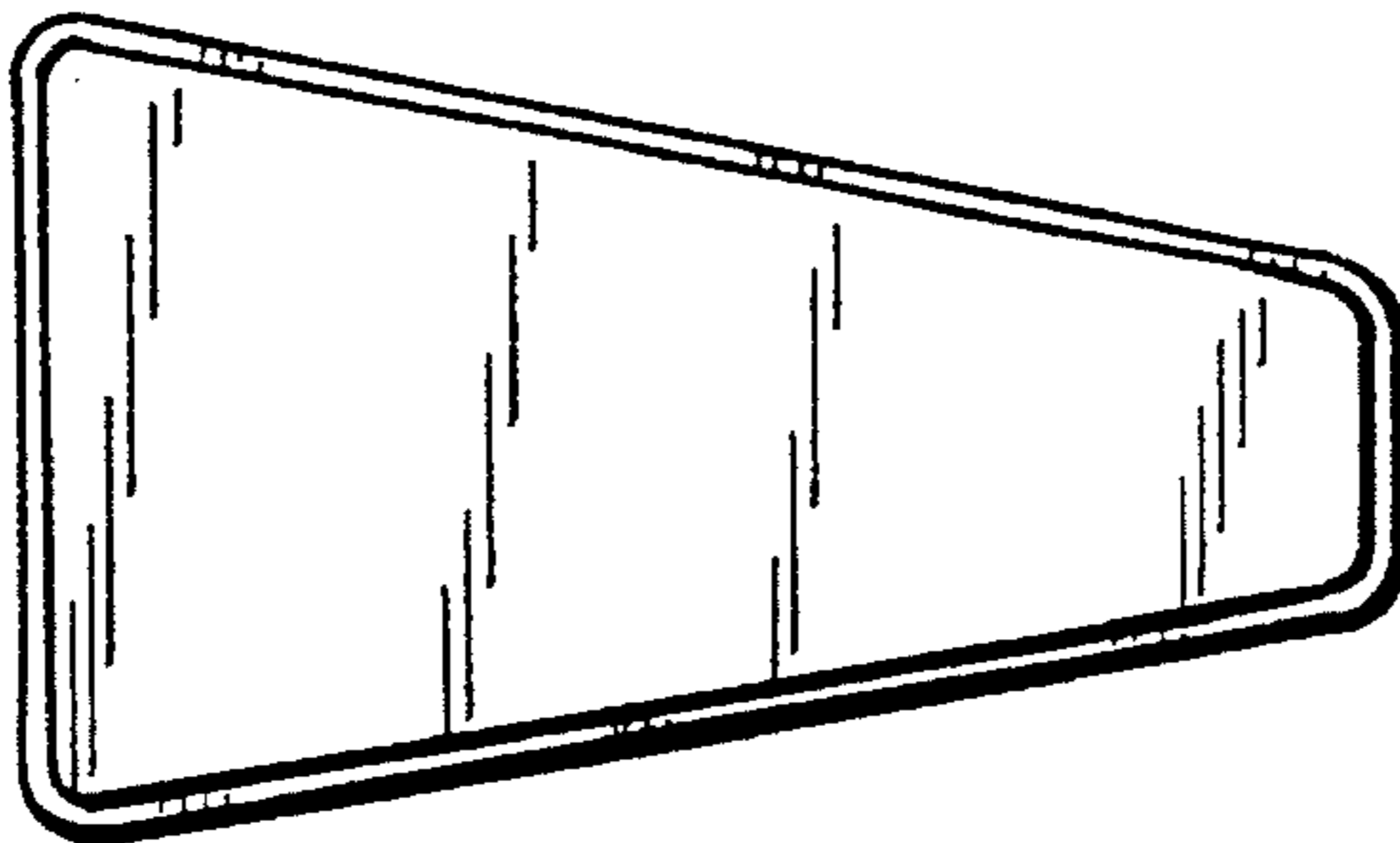


FIG. 6