



US00D364899S

United States Patent [19]

[11] **Patent Number: Des. 364,899**

Molenaar et al.

[45] **Date of Patent: **Dec. 5, 1995**

[54] **TOY TOP**

1,319,123	10/1919	Simon	446/256 X
1,349,226	10/1920	Sauter	446/259
1,872,203	8/1932	Wily	446/262
3,083,498	4/1963	Kelley	446/256 X

[75] Inventors: **Steven L. Molenaar; Allan J. Molenaar**, both of Willmar, Minn.

[73] Assignee: **Molenaar, Inc.**, Willmar, Minn.

Primary Examiner—Dominic Simone
Attorney, Agent, or Firm—Burd, Bartz & Gutenkauf

[**] Term: **14 Years**

[57] **CLAIM**

[21] Appl. No.: **25,756**

The ornamental design for a toy top, as shown and described.

[22] Filed: **Jul. 11, 1994**

[52] U.S. Cl. **D21/95; D21/92**

DESCRIPTION

[58] Field of Search **D21/92, 95, 95; 446/256, 266**

FIG. 1 is a top plan view of a toy top showing our new design;

[56] **References Cited**

FIG. 2 is a side elevational view thereof, the opposite side being a mirror image thereof;

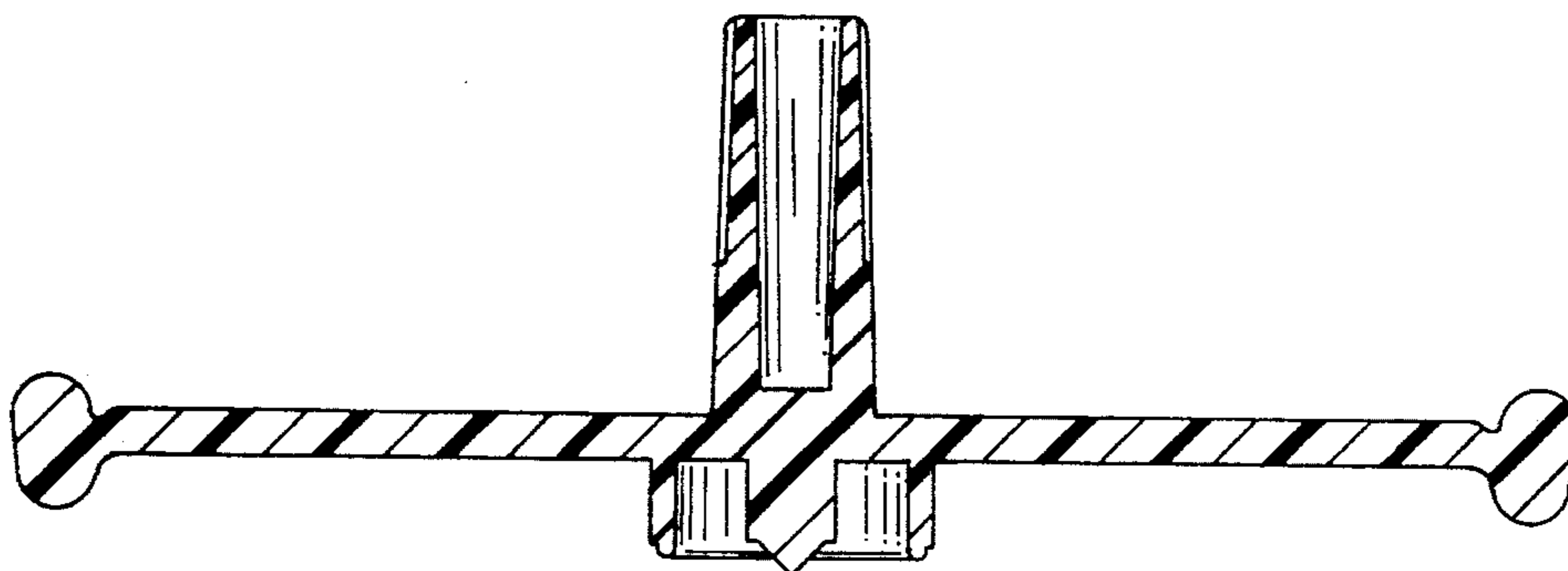
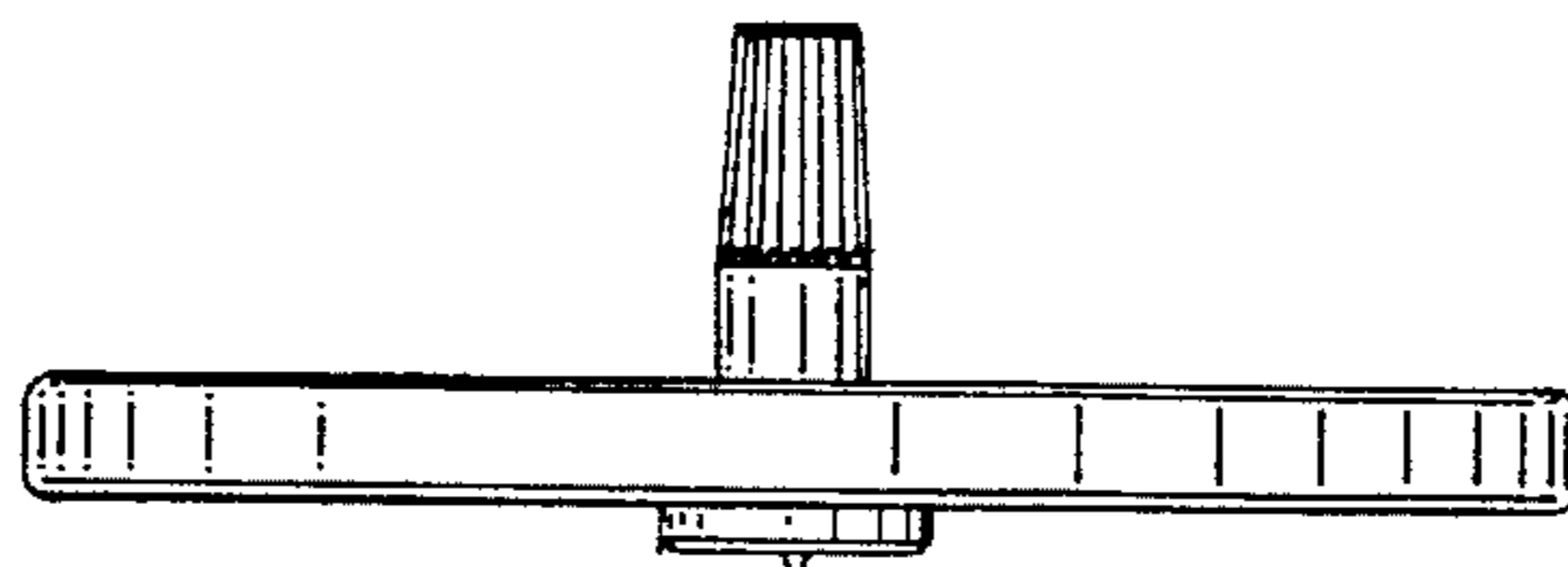
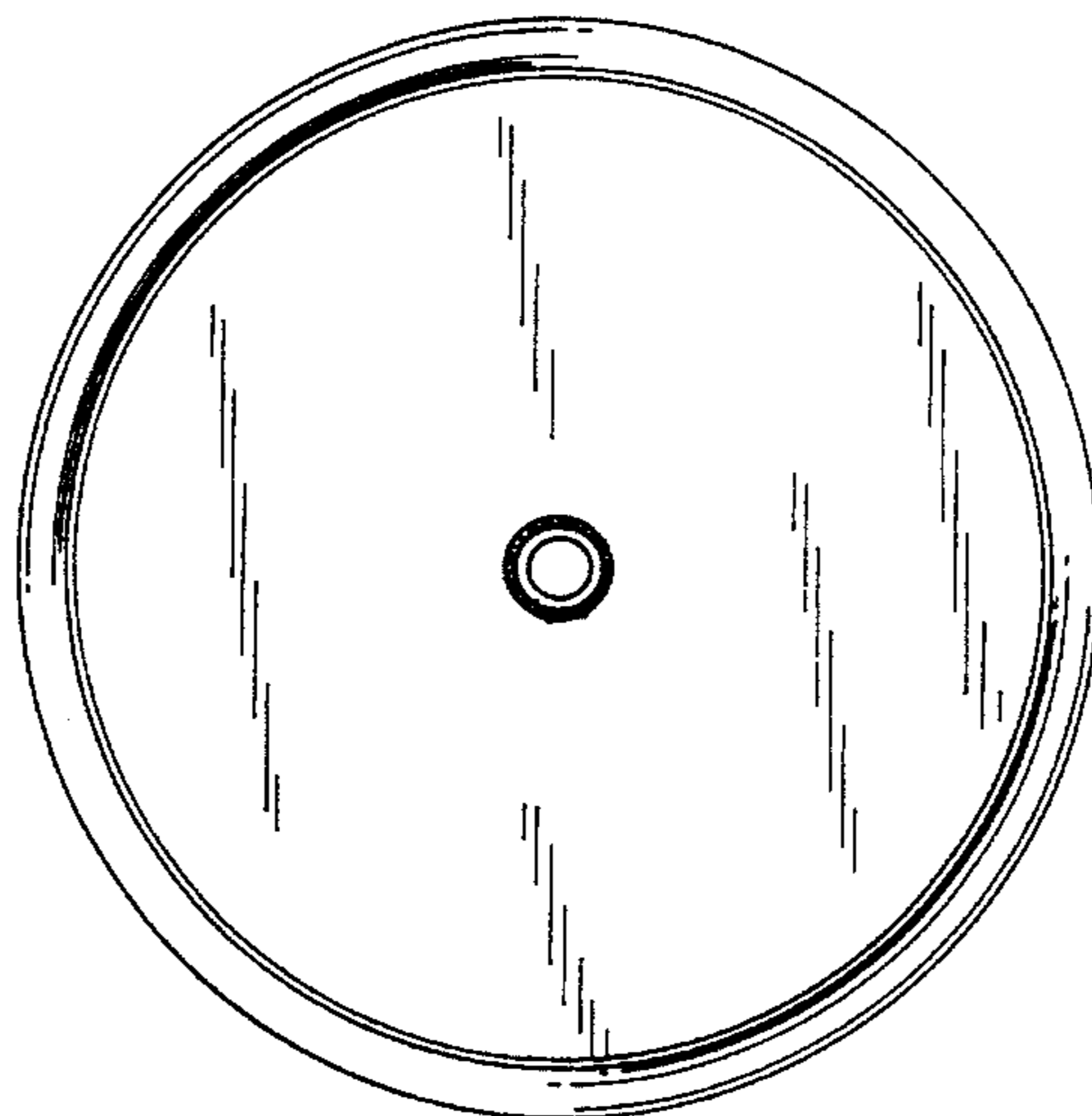
U.S. PATENT DOCUMENTS

FIG. 3 is a bottom plan view thereof; and,

- D. 224,743 9/1972 Harzmann D21/95
- D. 301,258 5/1989 Olney .
- 1,139,119 5/1915 Heidenreich .
- 1,262,061 4/1918 Kristofek .

FIG. 4 is an enlarged sectional view taken along the line 4—4 of FIG. 3.

1 Claim, 2 Drawing Sheets



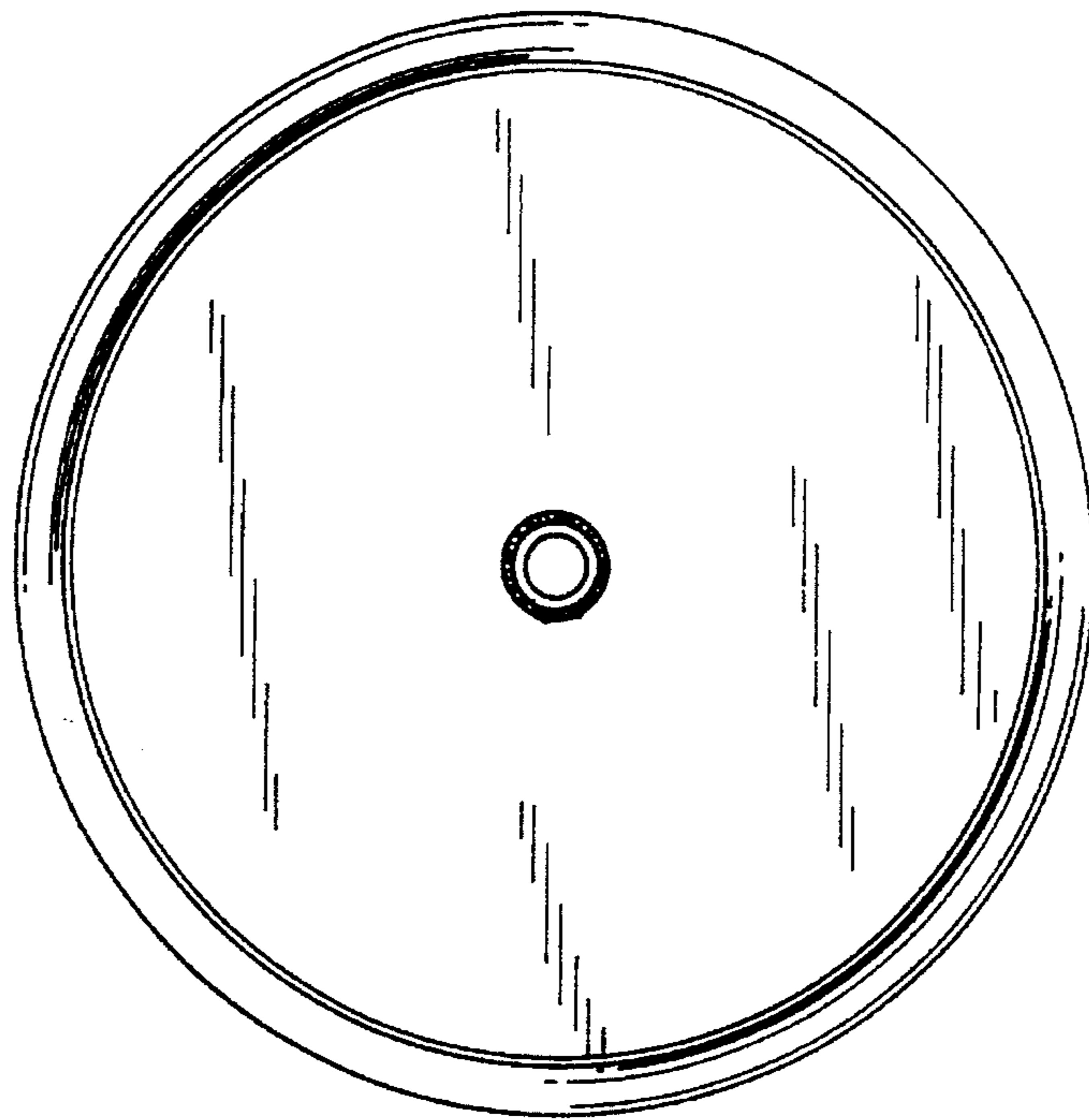


Fig. 1

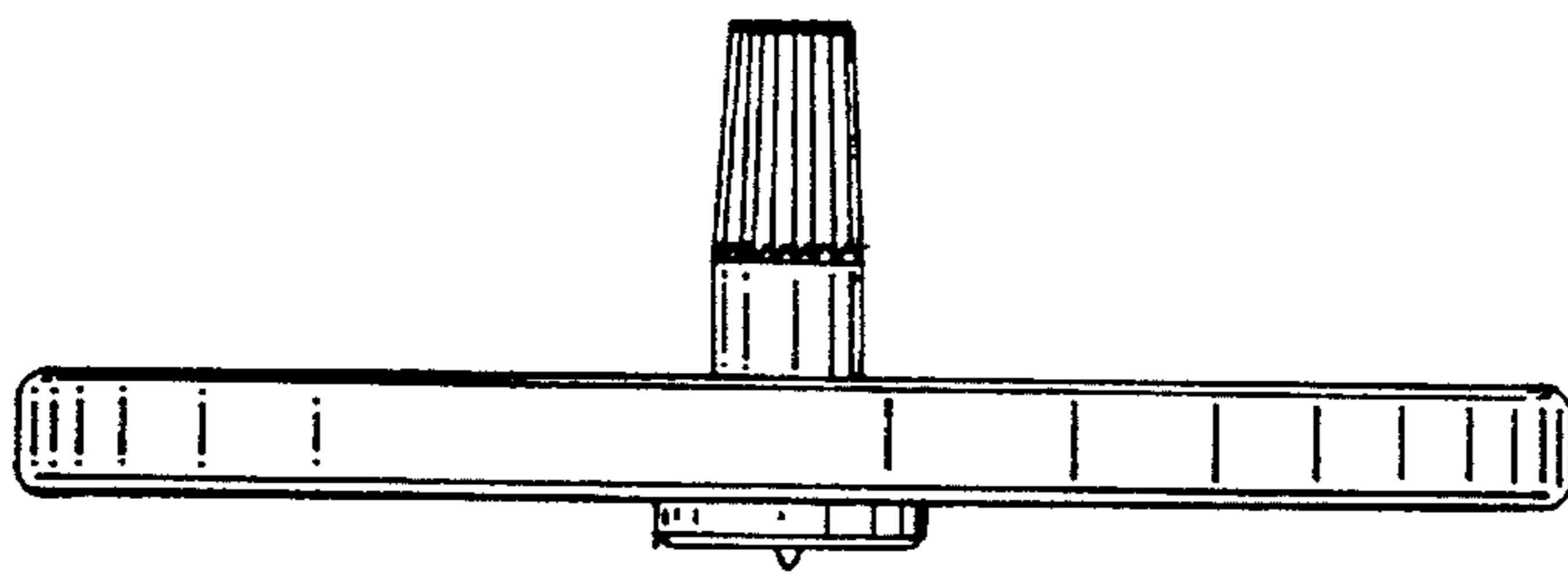


Fig. 2

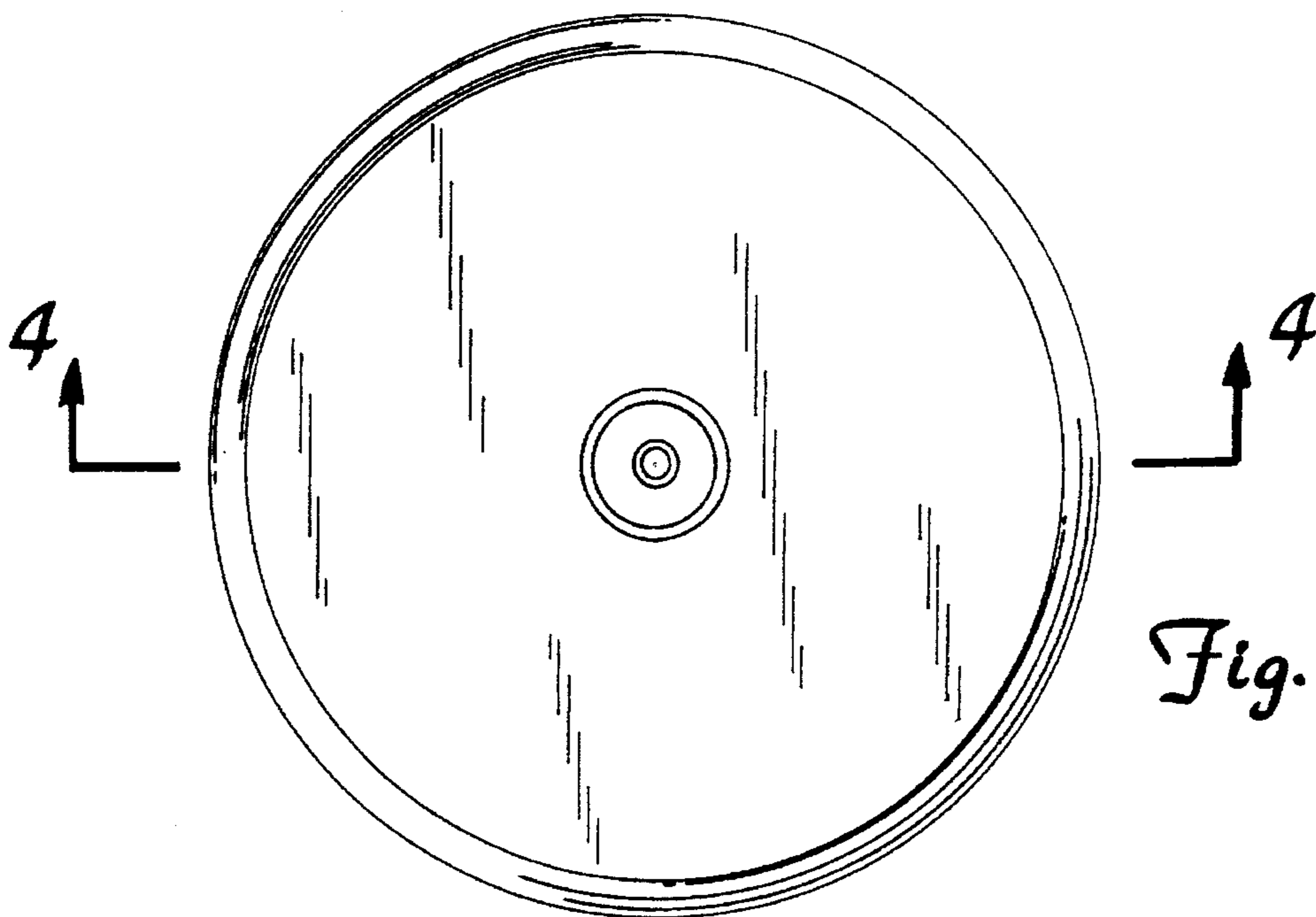


Fig. 3

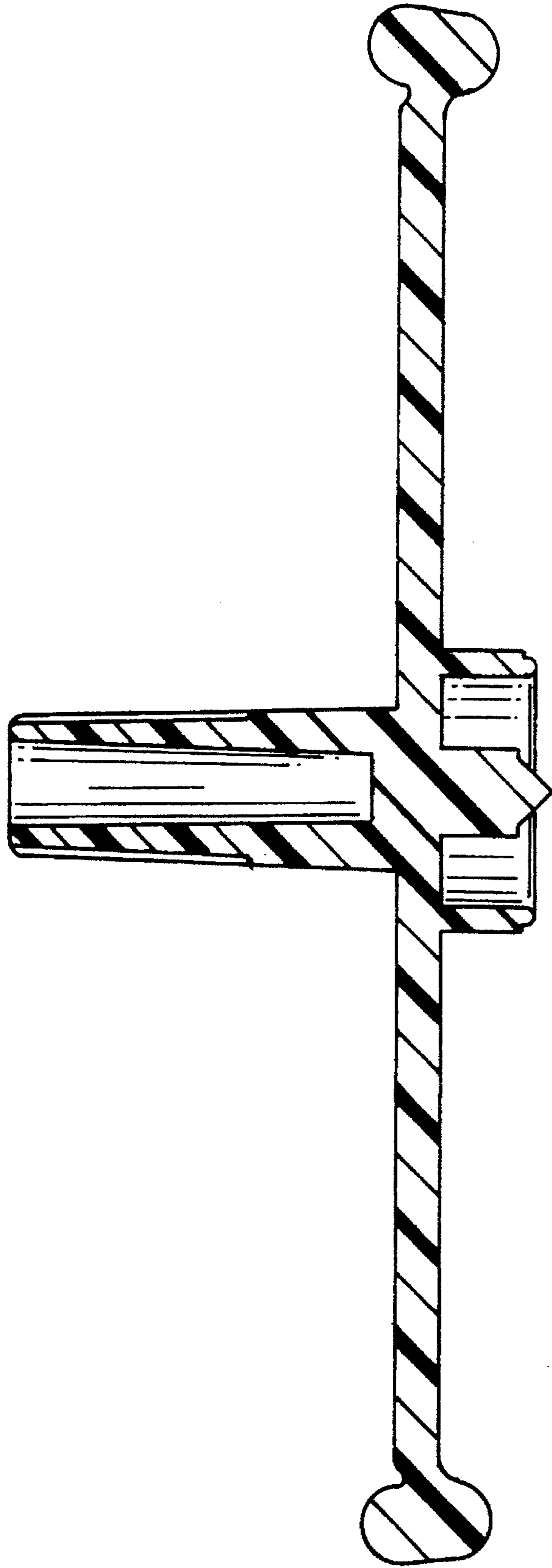


Fig. 4