



US00D364898S

United States Patent [19]
Davidson

[11] **Patent Number: Des. 364,898**
[45] **Date of Patent: **Dec. 5, 1995**

[54] **TOY**

4,781,642 11/1988 Stanzel 446/38
5,083,799 1/1992 Thill .

[76] Inventor: **Frankie G. Davidson**, 3703 E. Monroe,
Springfield, Mo. 65809

FOREIGN PATENT DOCUMENTS

[**] Term: **14 Years**

33106 of 1924 Denmark .
63981 of 1955 France .
5-228265 of 1993 Japan .
11016 of 1904 United Kingdom .

[21] Appl. No.: **30,294**

[22] Filed: **Oct. 26, 1994**

[52] **U.S. Cl.** **D21/82; D21/59; D21/85**

[58] **Field of Search** **D21/59, 82, 85;**
446/35, 36, 38, 39, 41, 43

Primary Examiner—Dominic Simone
Attorney, Agent, or Firm—Armstrong, Teasdale, Schlafly &
Davis

[57] **CLAIM**

The ornamental design for a toy, as shown and described.

[56] **References Cited**

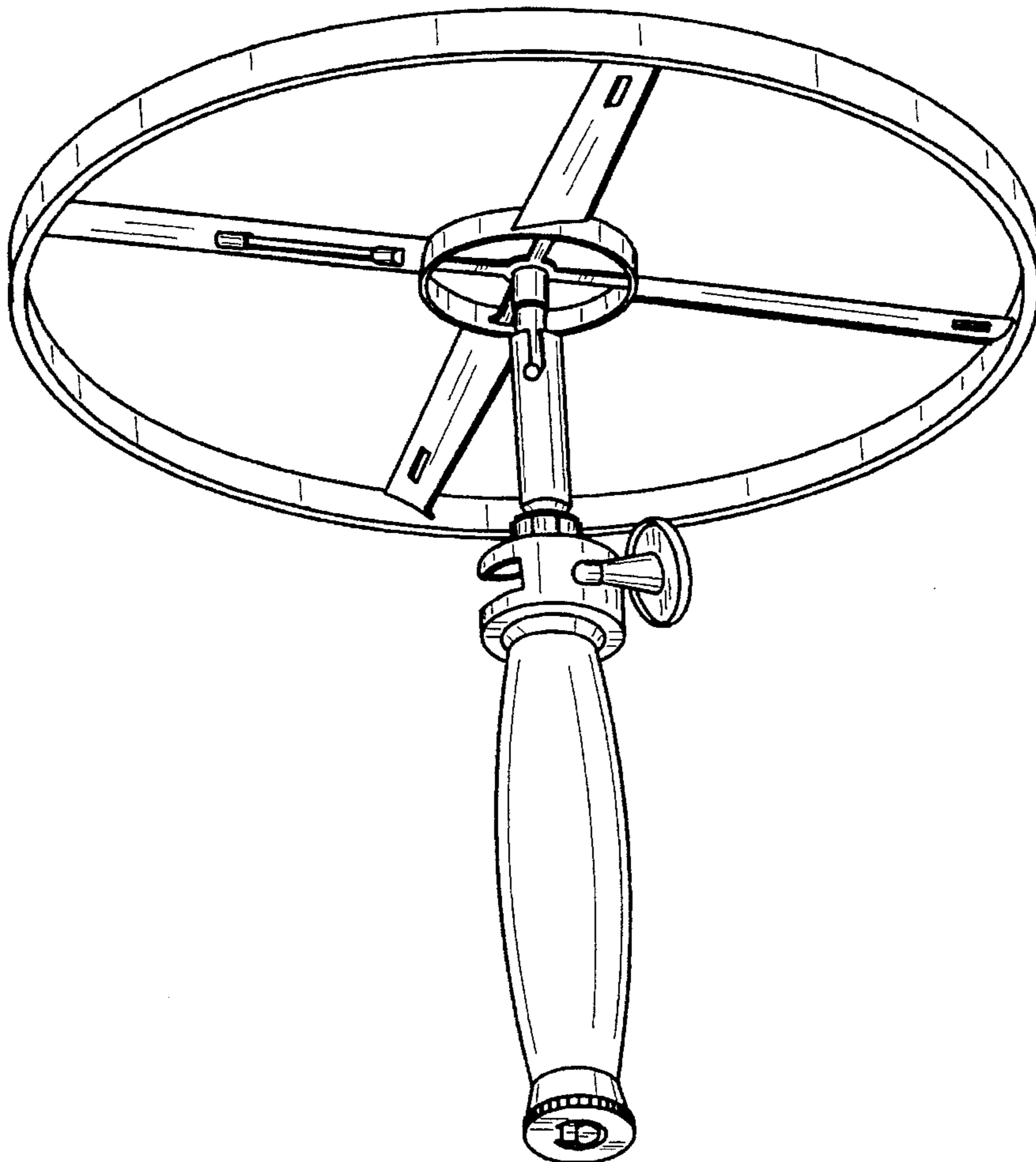
U.S. PATENT DOCUMENTS

D. 151,412 10/1948 Ruczynski D21/85
D. 210,791 4/1968 Tally et al. D21/85
D. 336,318 6/1993 Clark D21/90
811,784 2/1906 Matteson .
1,573,527 2/1926 Simonek 446/41
2,938,300 5/1960 Newbert et al. 446/41
3,704,540 12/1972 Montagu .
4,086,723 5/1978 Strawick .
4,204,359 5/1980 Plo .
4,207,702 6/1980 Boatman et al. .
4,254,575 3/1981 Gould .

DESCRIPTION

FIG. 1 is a perspective view of a toy incorporating my design;
FIG. 2 is a top plan view thereof;
FIG. 3 is a front elevation view thereof;
FIG. 4 is a right side elevation view thereof;
FIG. 5 is a left side elevation view thereof;
FIG. 6 is a rear elevation view thereof; and,
FIG. 7 is a bottom plan view thereof.

1 Claim, 4 Drawing Sheets



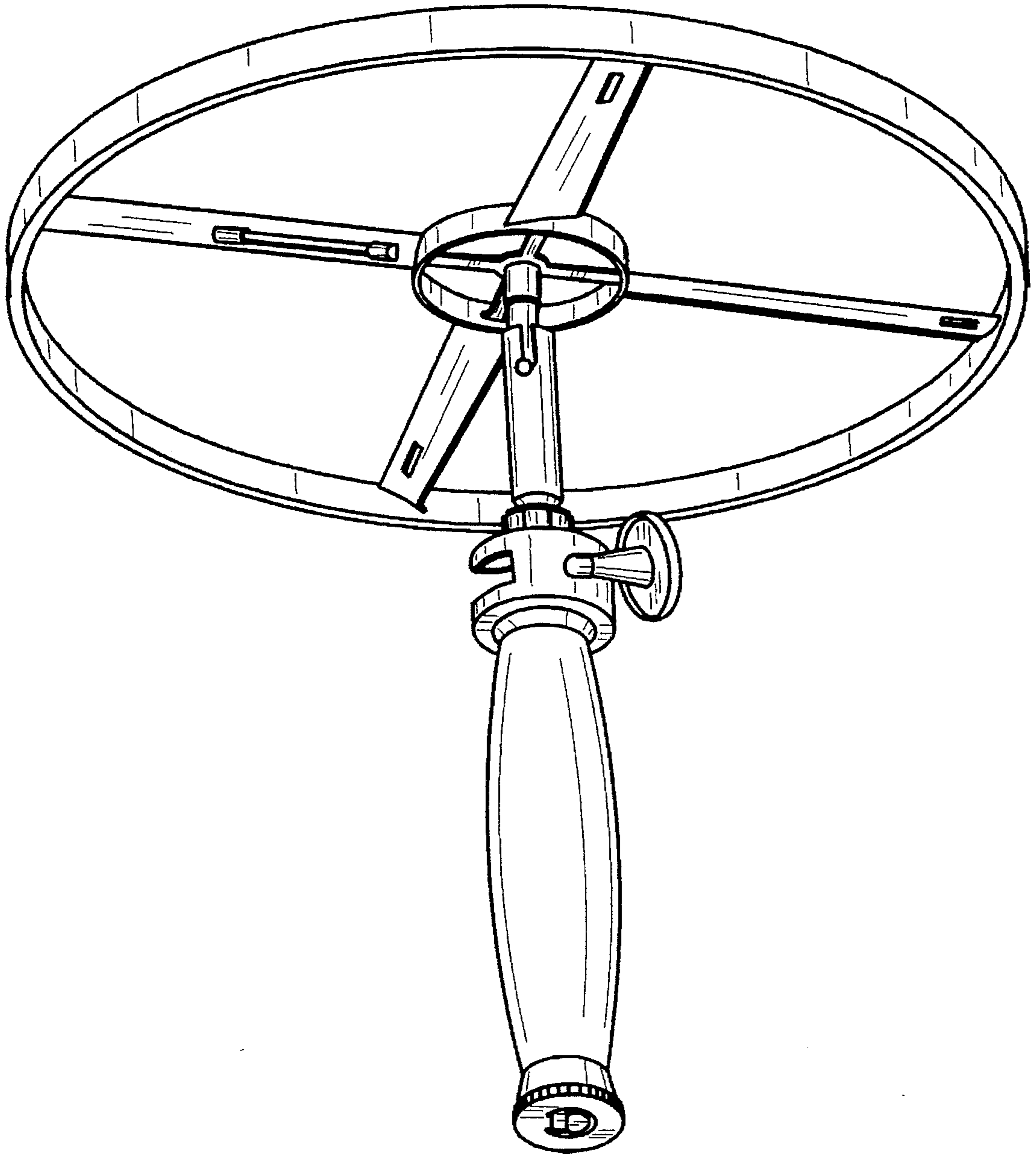


FIG. 1

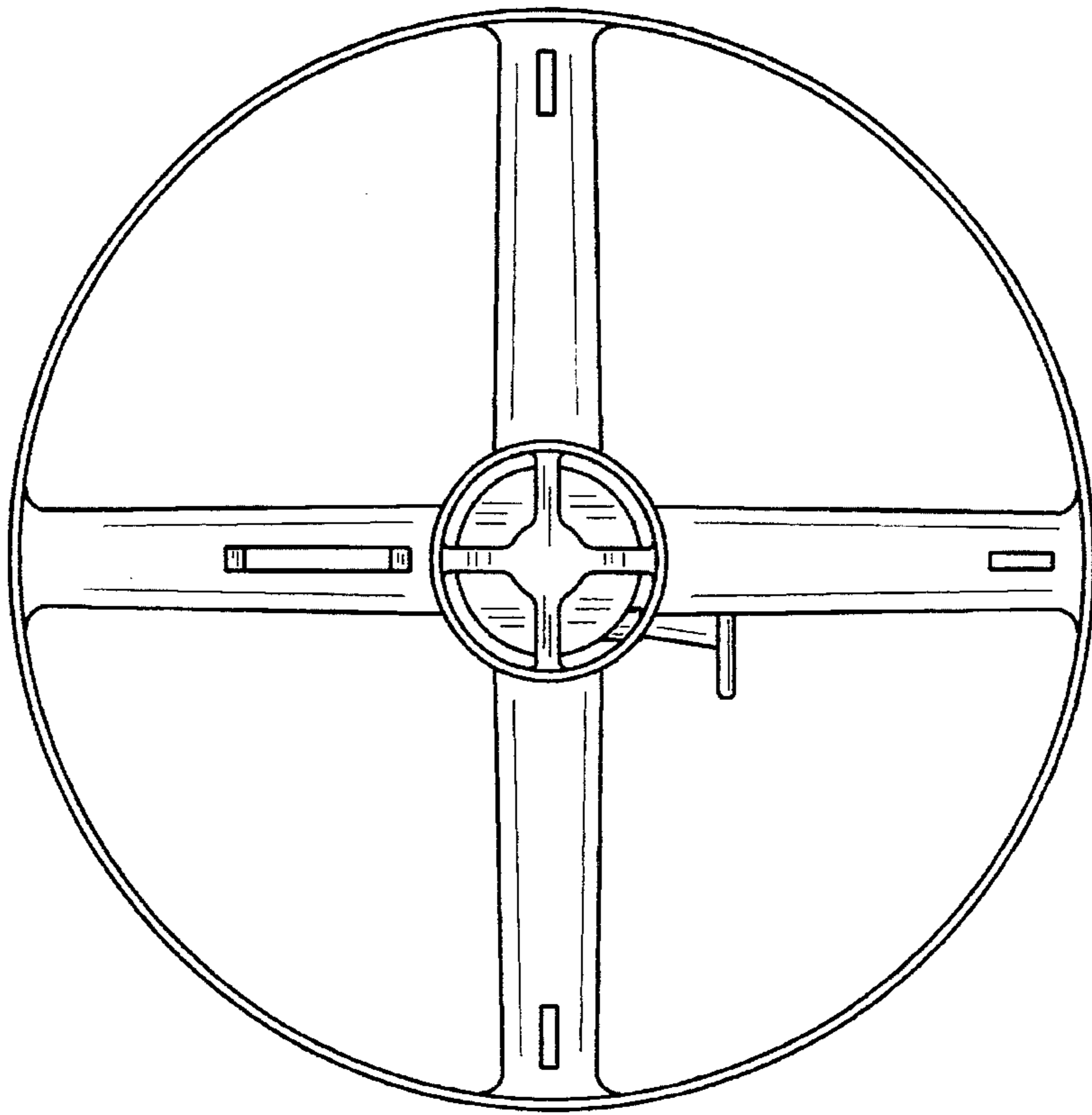


FIG. 2

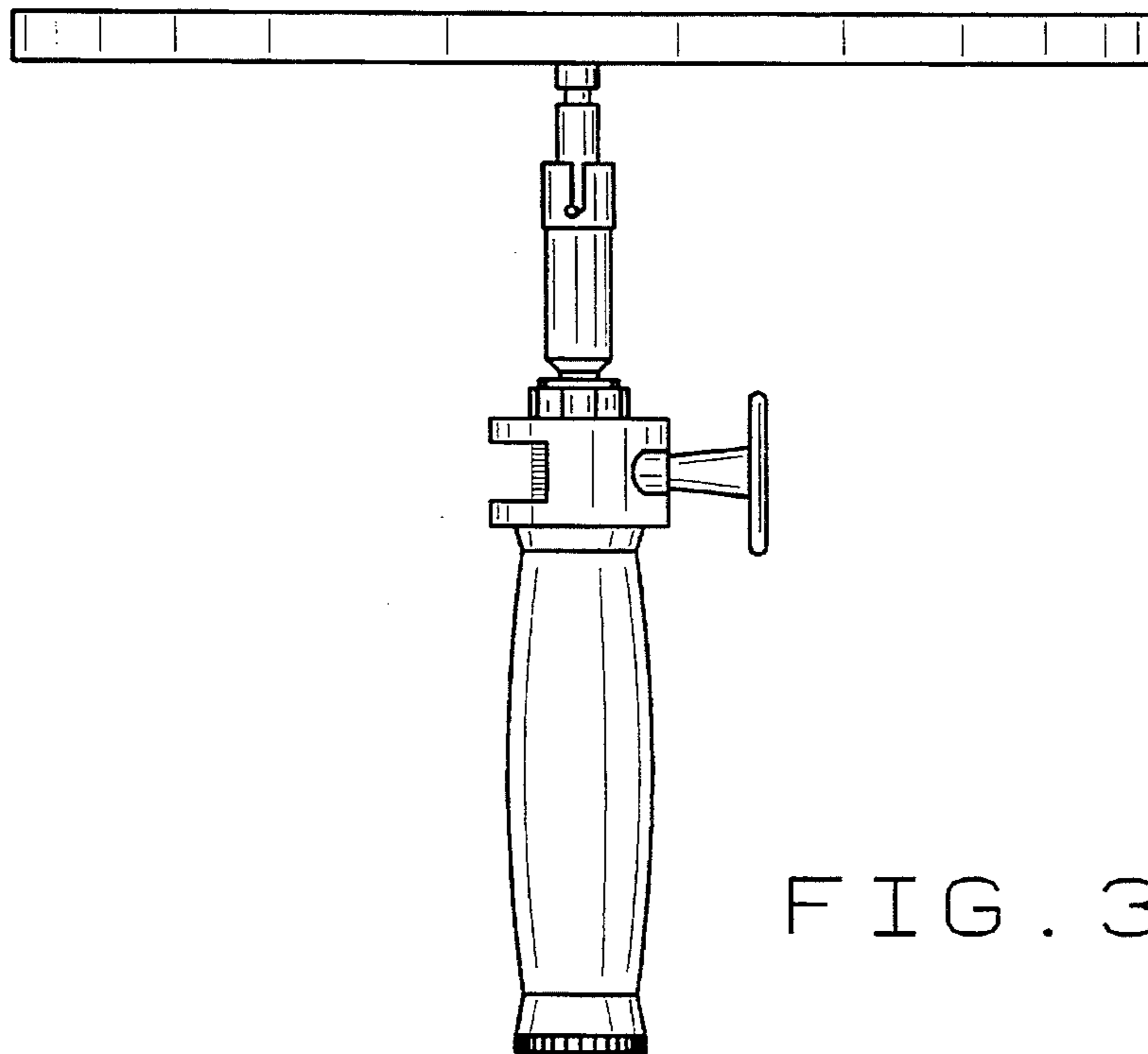


FIG. 3

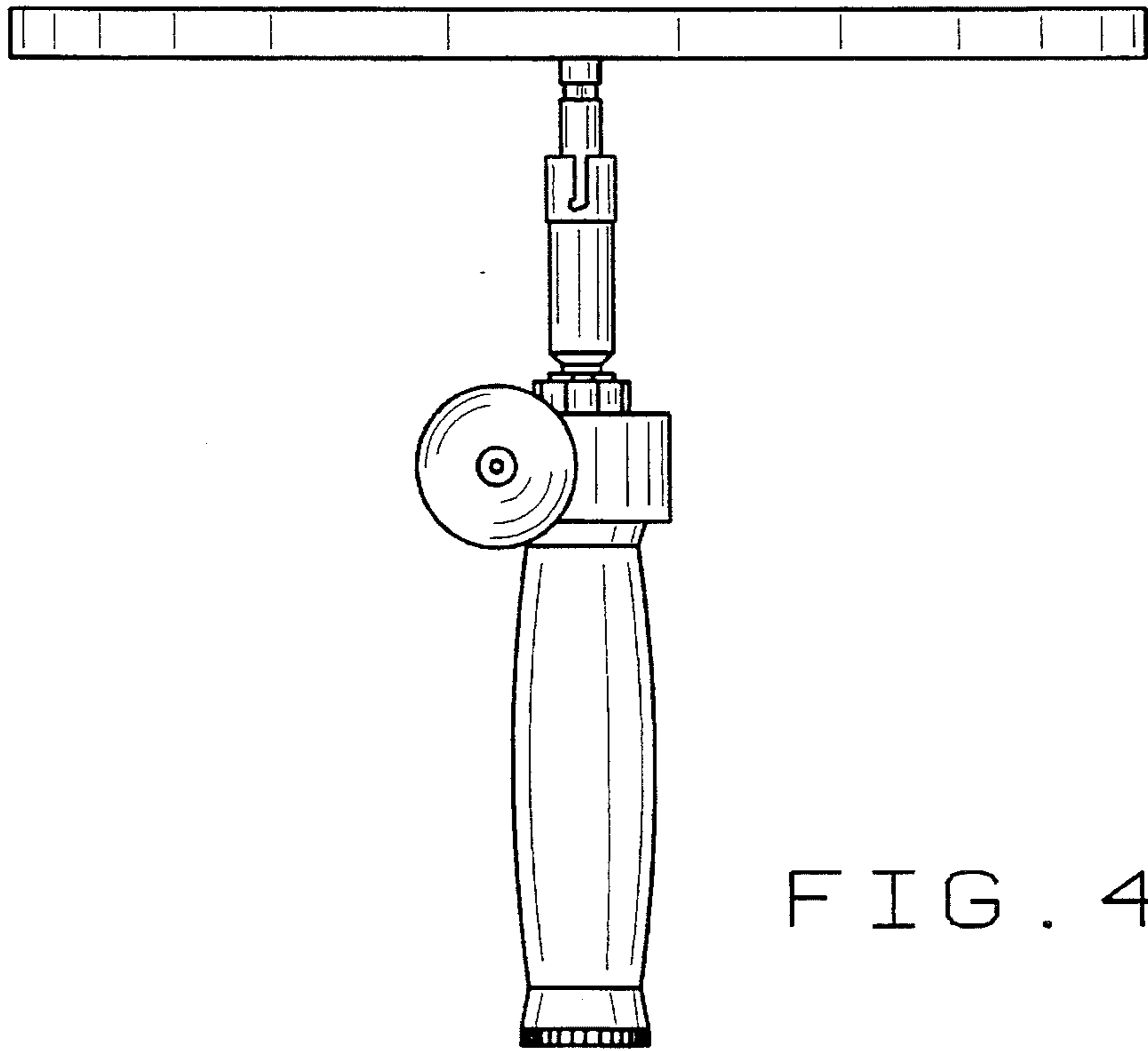


FIG. 4

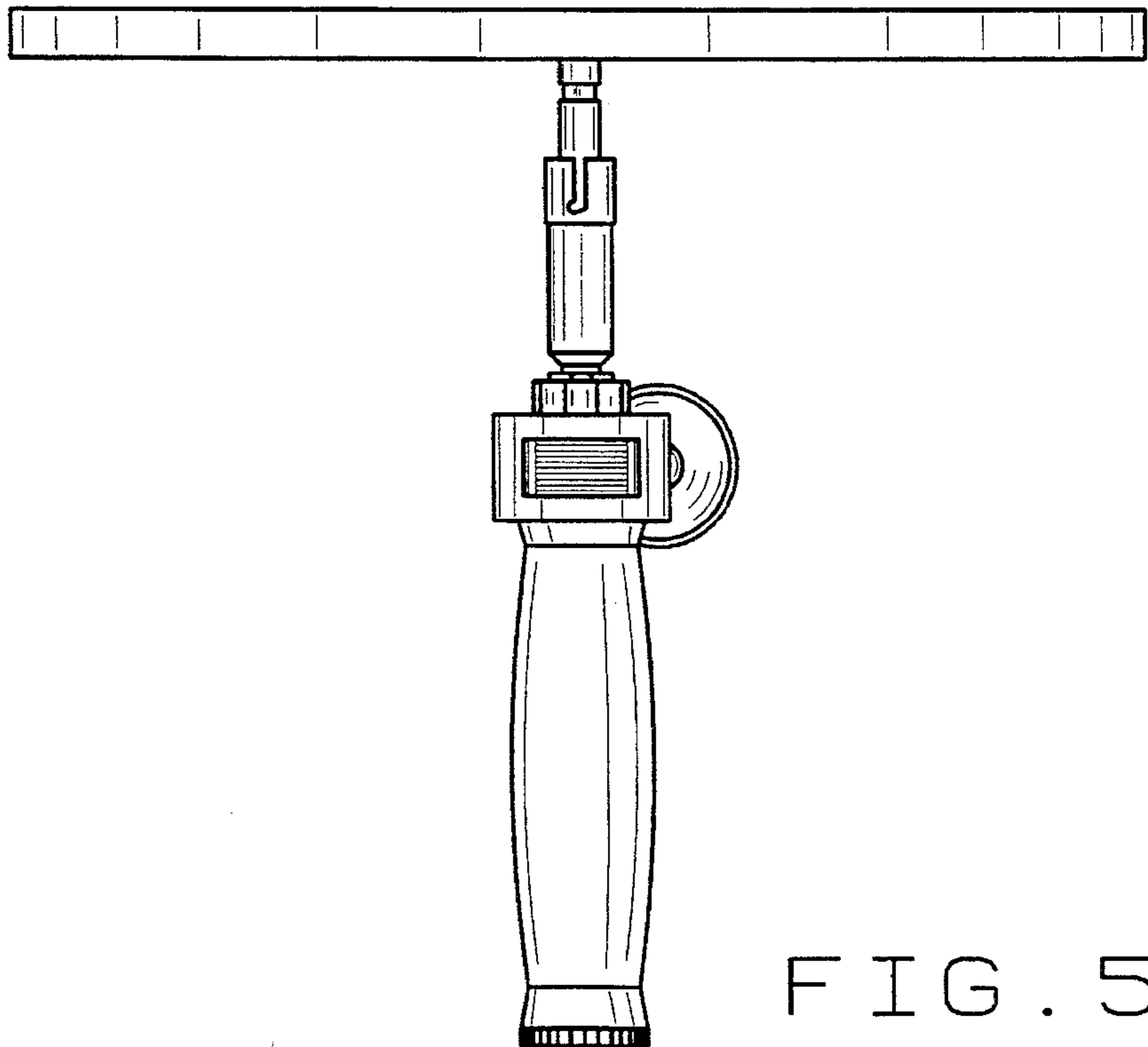


FIG. 5

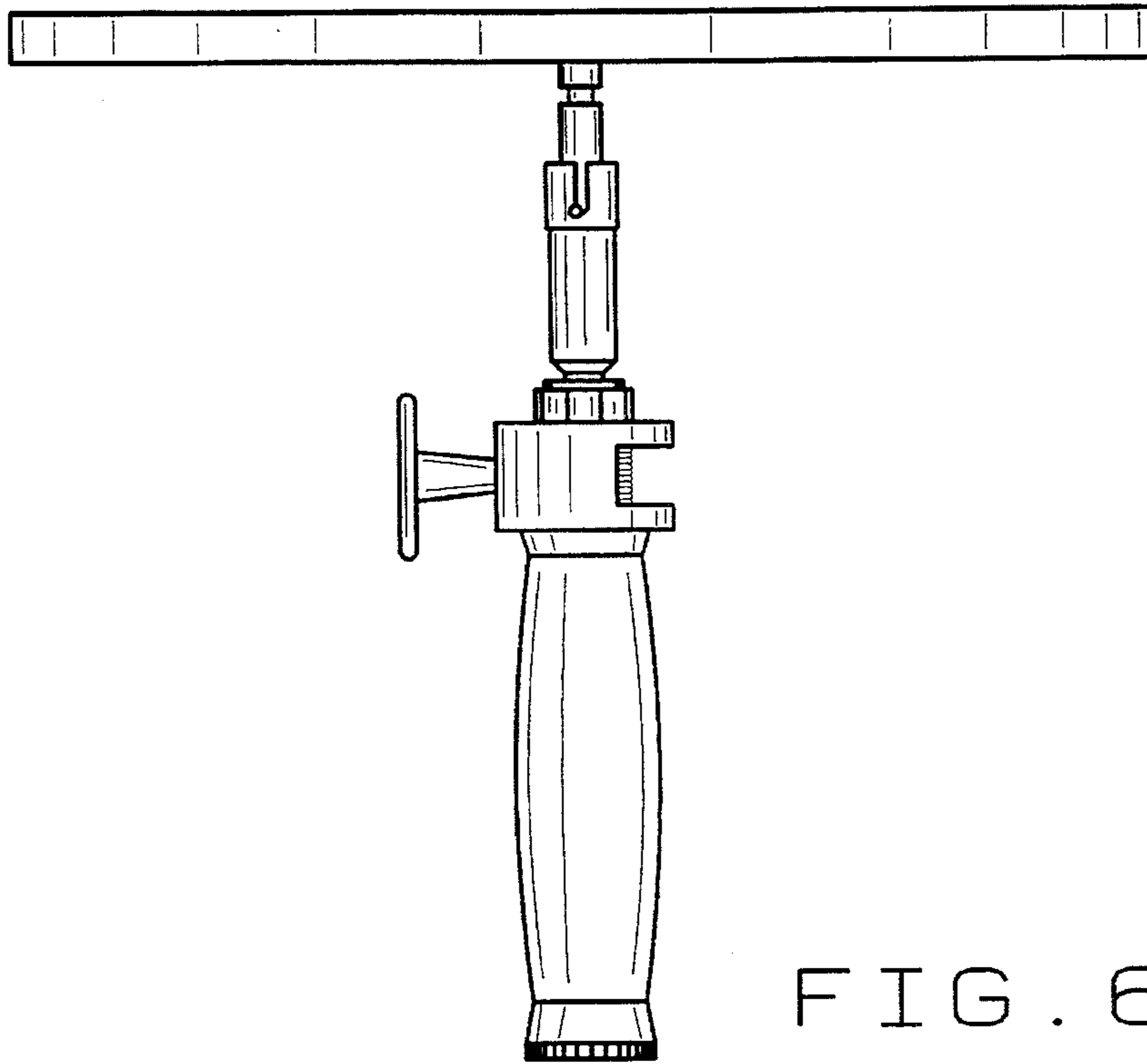


FIG. 6

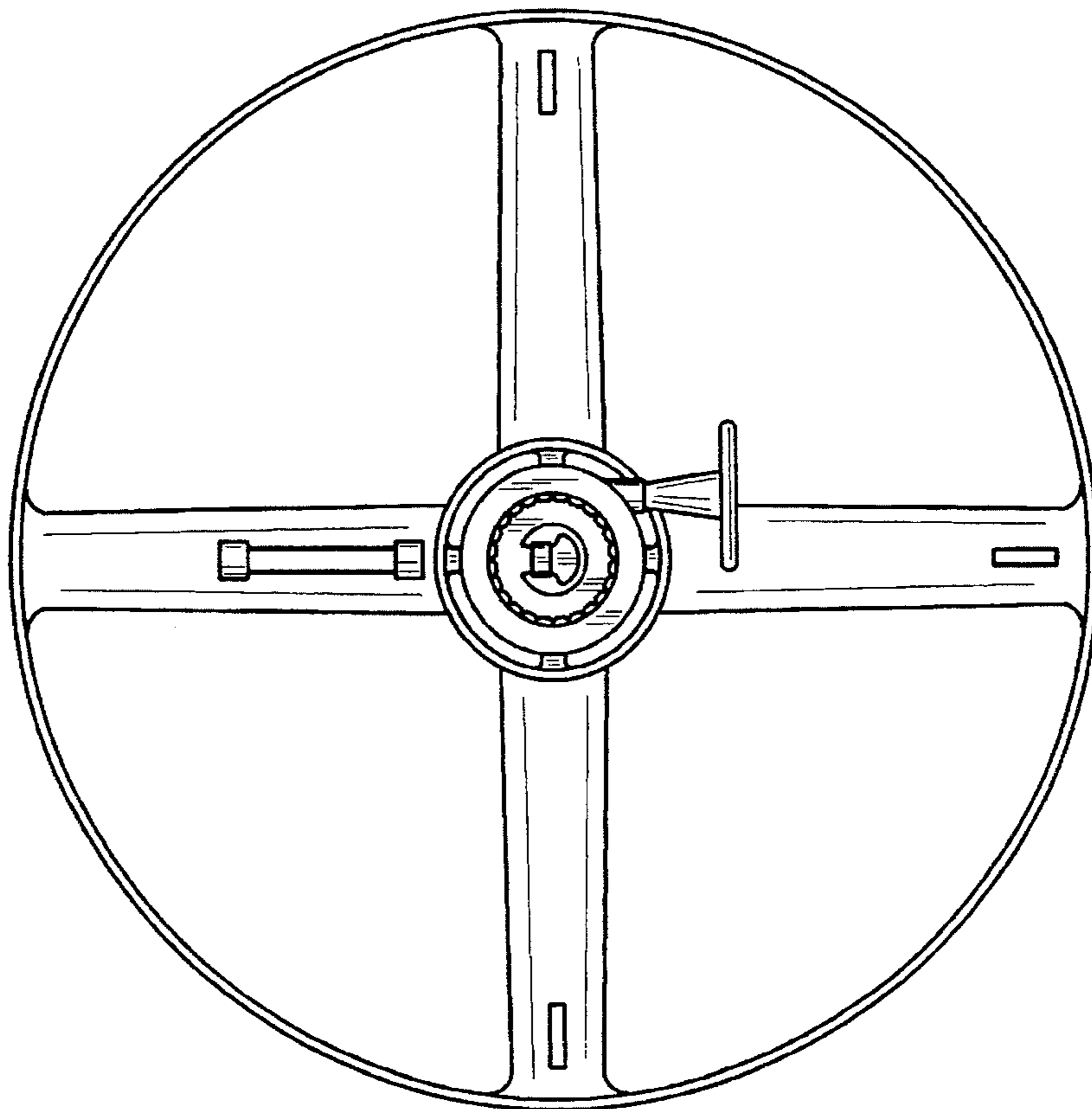


FIG. 7