



US00D364897S

United States Patent [19]

[11] Patent Number: **Des. 364,897**

Mox et al.

[45] Date of Patent: ****Dec. 5, 1995**

[54] **INDOOR WHEELED RIDING TOY**

[76] Inventors: **Dana Mox; Robert Mackenzie**, both of
10665 Caminito Banyon, San Diego,
Calif. 92131

[**] Term: **14 Years**

[21] Appl. No.: **19,573**

[22] Filed: **Mar. 7, 1994**

[52] U.S. Cl. **D21/71**

[58] Field of Search D21/59, 71, 73-79,
D21/128, 132, 134, 136, 137, 141, 148,
188; 446/427, 428, 456, 465, 470; 280/1.13,
8.20, 87.021

[56] **References Cited**

U.S. PATENT DOCUMENTS

D. 188,659	8/1960	Locke	D21/188
D. 267,024	11/1982	Brazier	D21/71
D. 269,362	6/1983	Welch	D21/188
D. 294,278	2/1988	Ukisu	D21/128
D. 335,268	5/1993	Barnet	D21/71

Primary Examiner—Ted Shooman
Assistant Examiner—R. Barkai
Attorney, Agent, or Firm—Ralph S. Branscomb

[57] **CLAIM**

The ornamental design for an indoor wheeled riding toy, as shown and described.

DESCRIPTION

FIG. 1 is a side elevation view of our ornamental design for an indoor wheeled riding toy;
FIG. 2 is a front elevation view of our design;
FIG. 3 is a rear elevation view of our design;
FIG. 4 is a top plan view of our indoor wheeled riding toy;
FIG. 5 is a plan view of our design as seen from the bottom looking up;
FIG. 6 is a view taken along lines 6—6 of FIG. 2 to clarify the relationship of the parts;
FIG. 7 is a section taken along lines 7—7 of FIG. 2;
FIG. 8 is a section taken along lines 8—8 of FIG. 2; and,
FIG. 9 is a section taken along the lines 9—9 of FIG. 2.

1 Claim, 2 Drawing Sheets

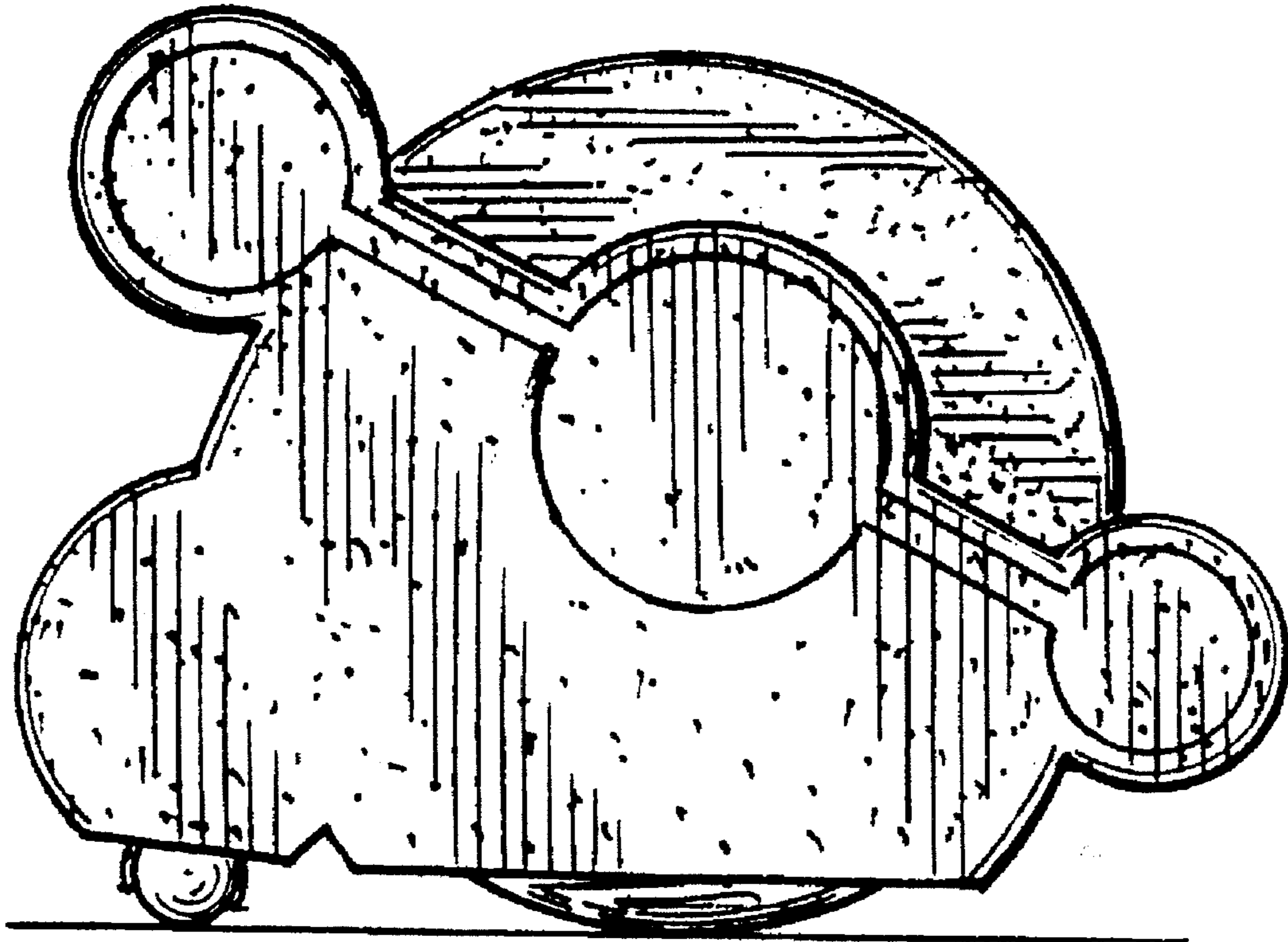


Fig. 1

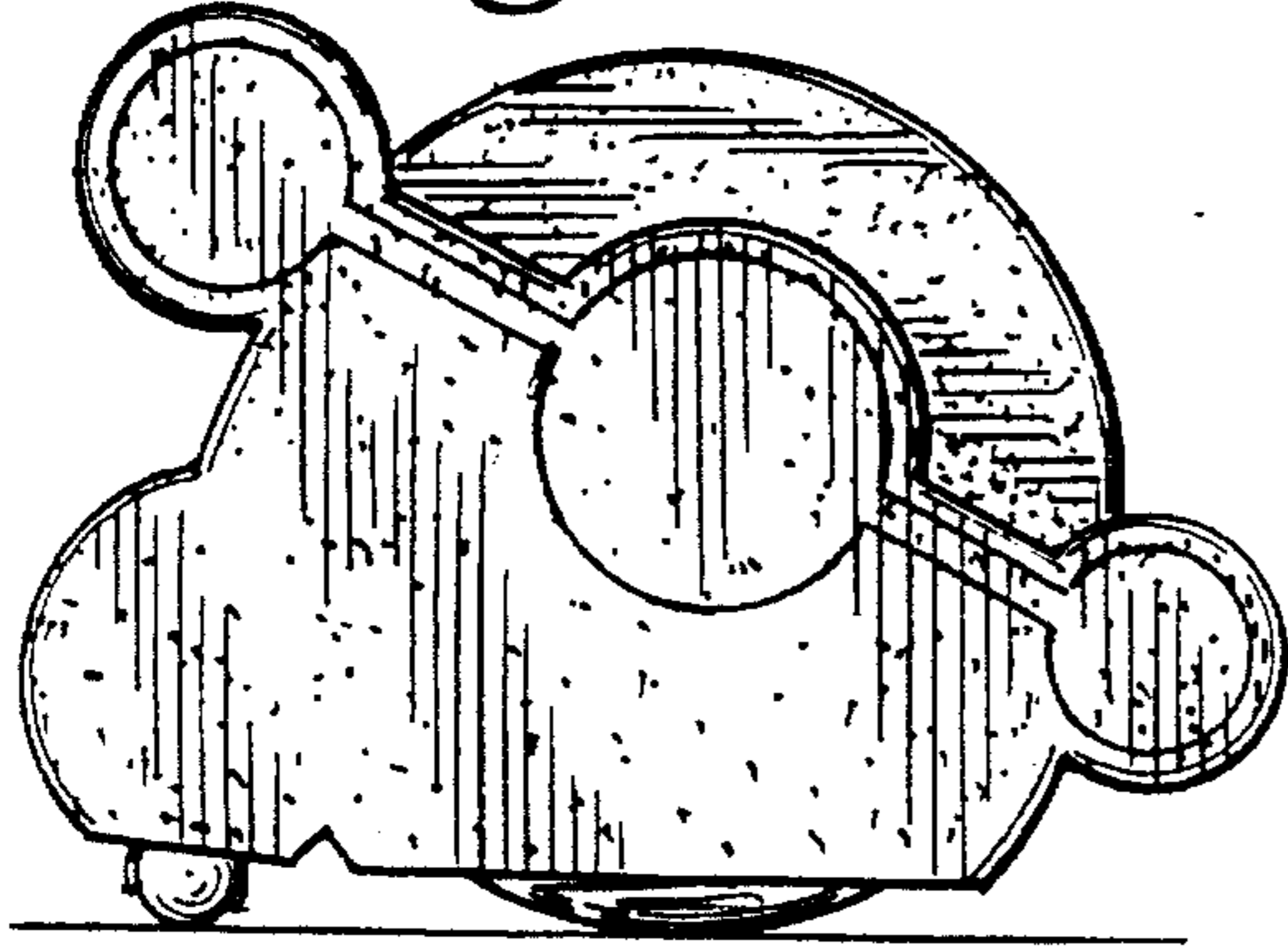


Fig. 4

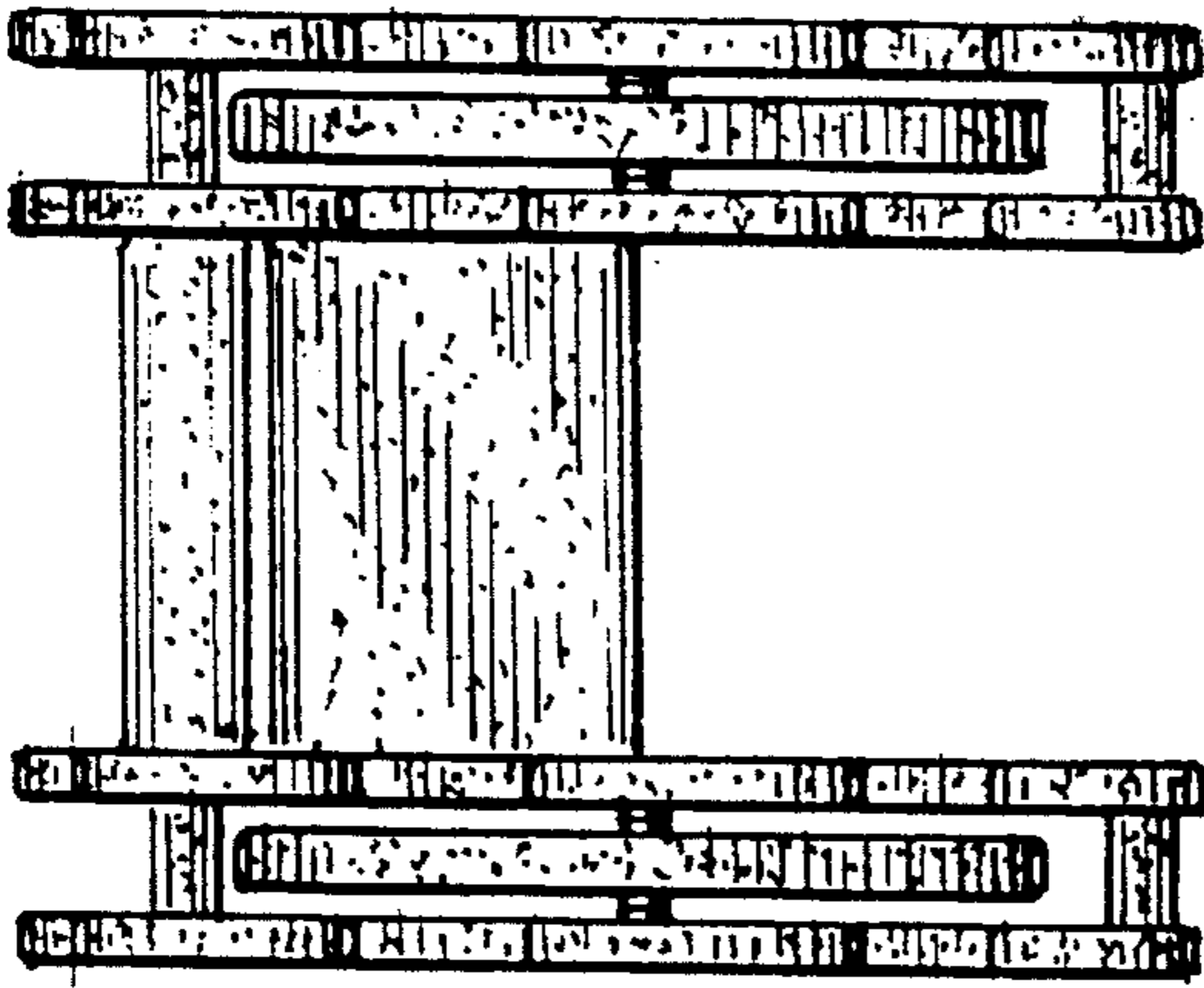


Fig. 5

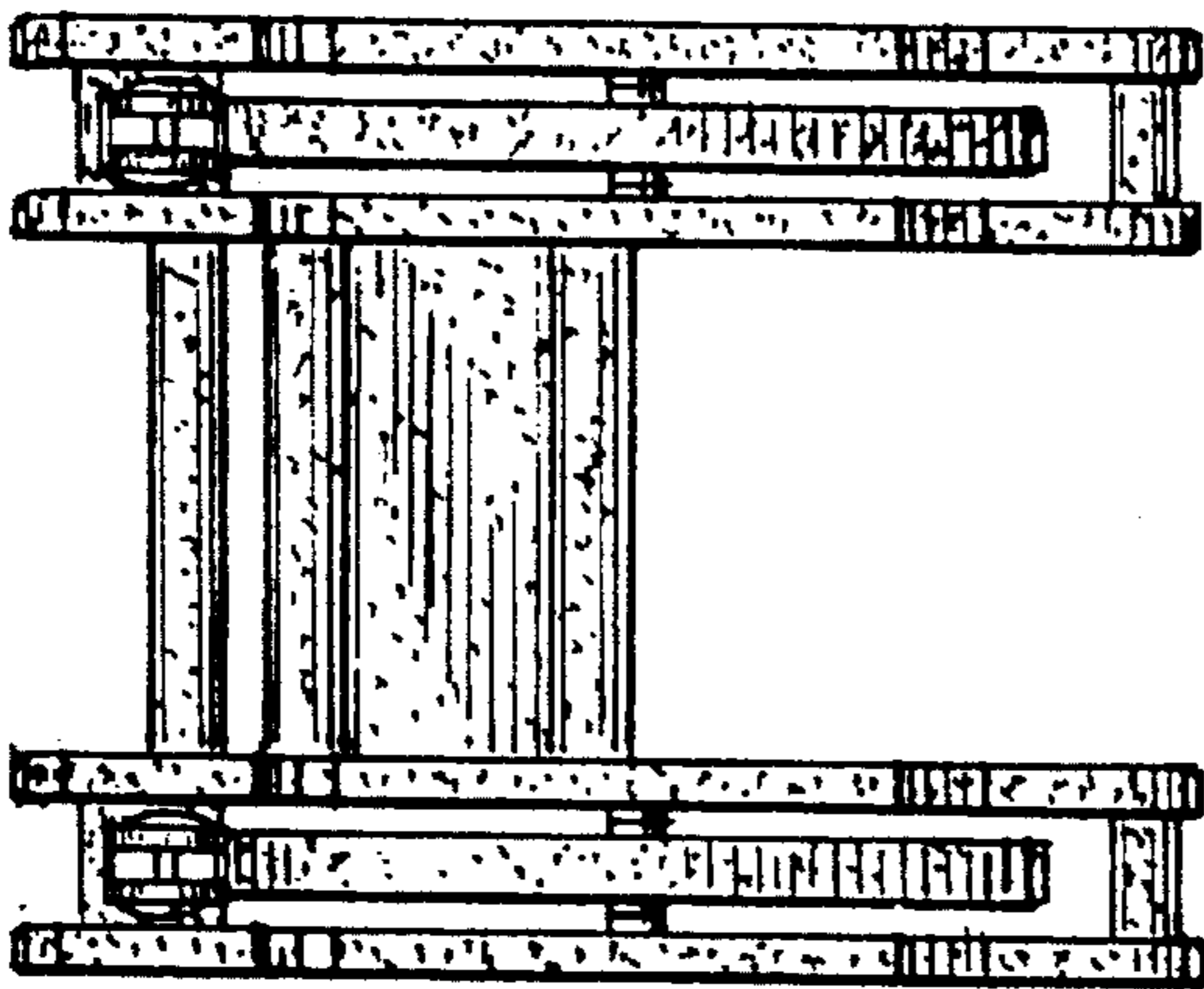


Fig. 2

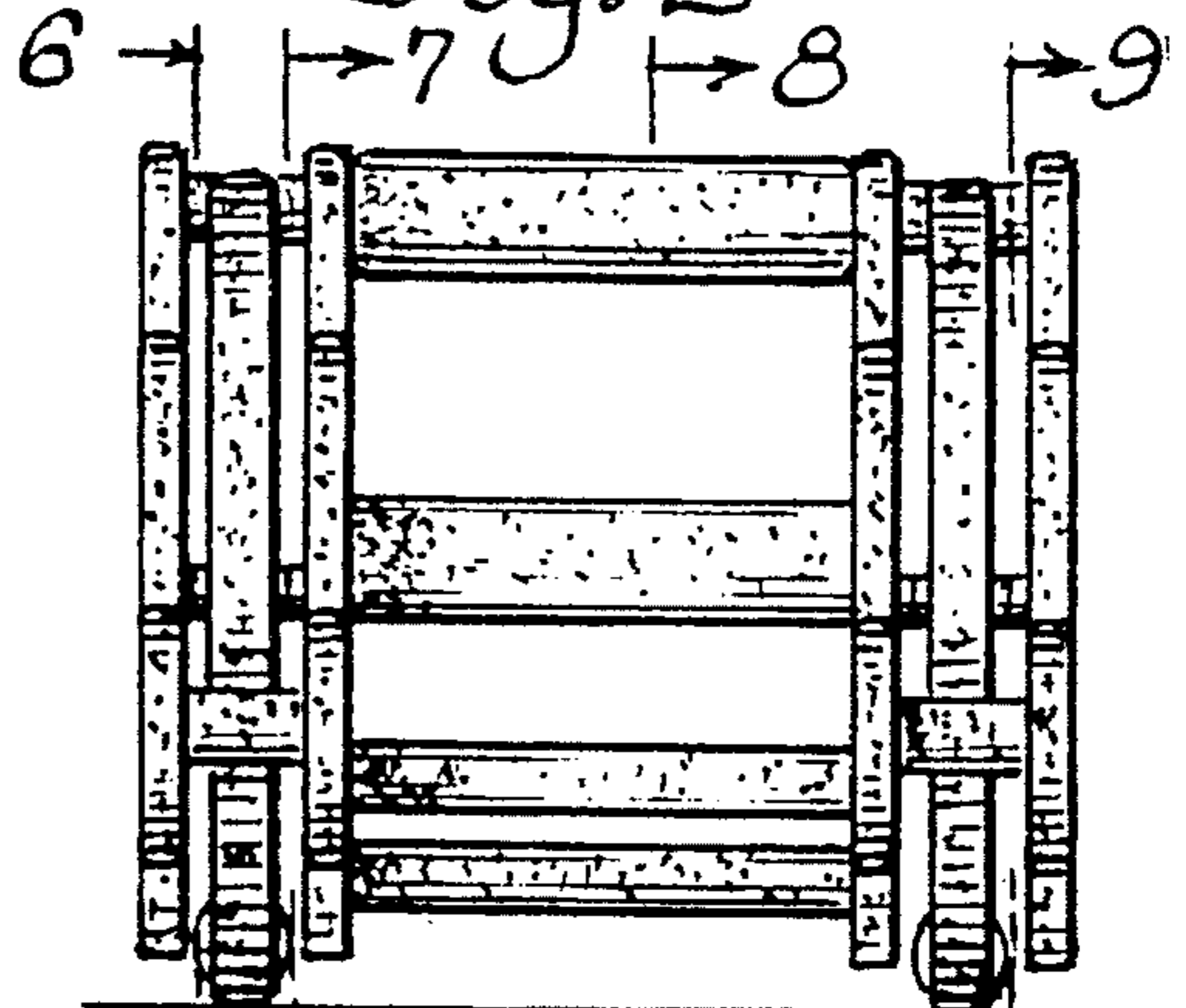


Fig. 3

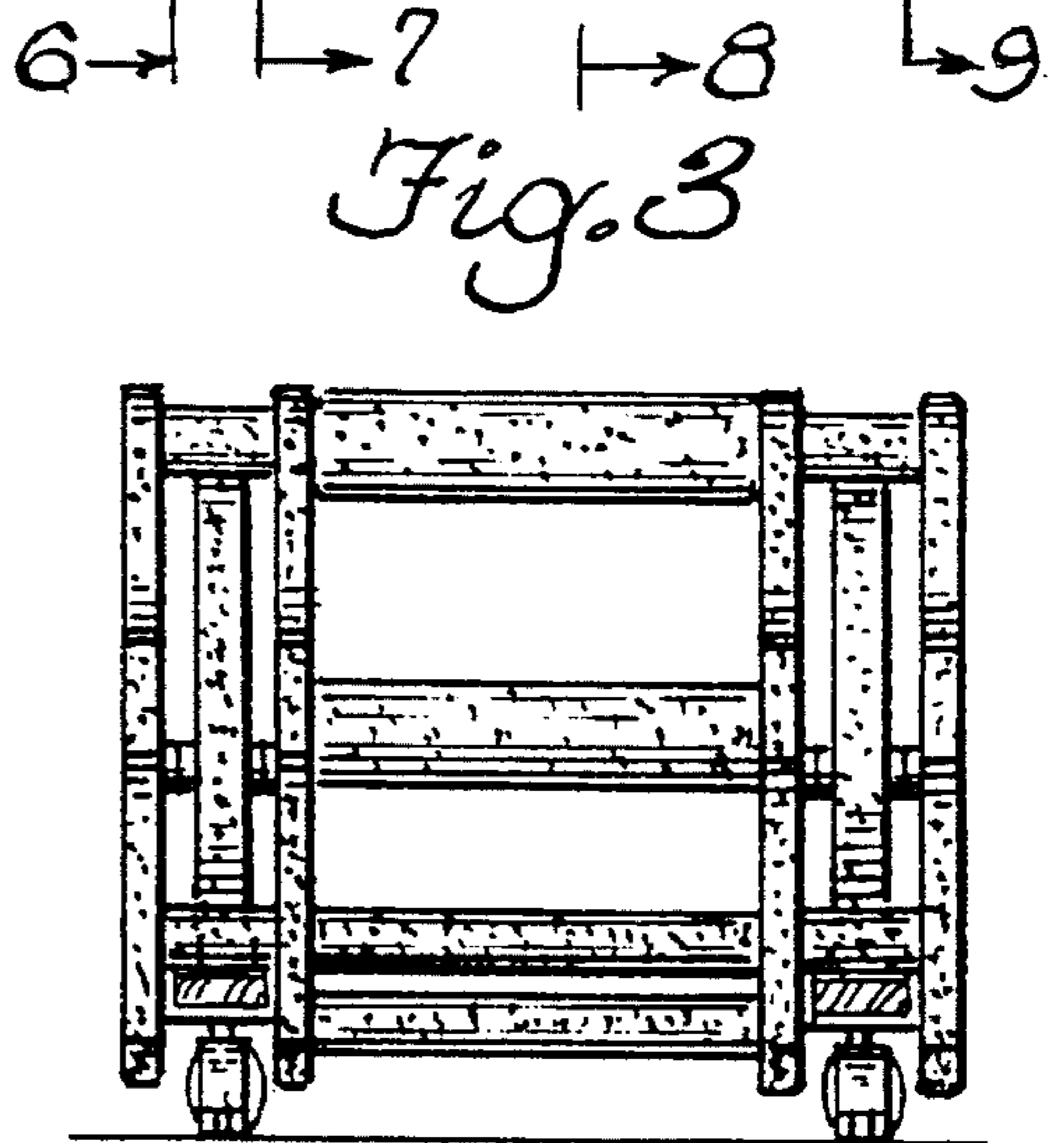


Fig. 9

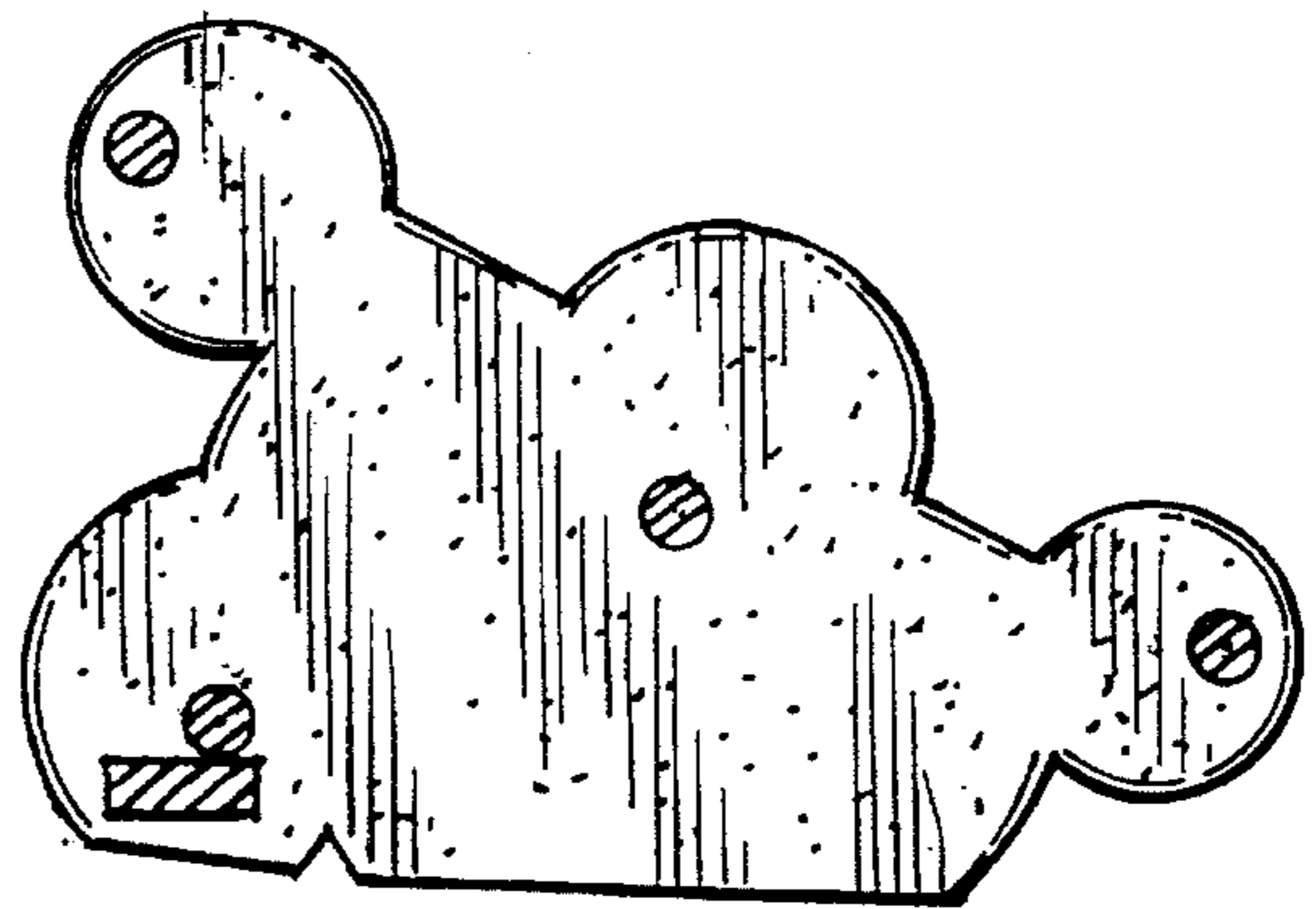


Fig. 6

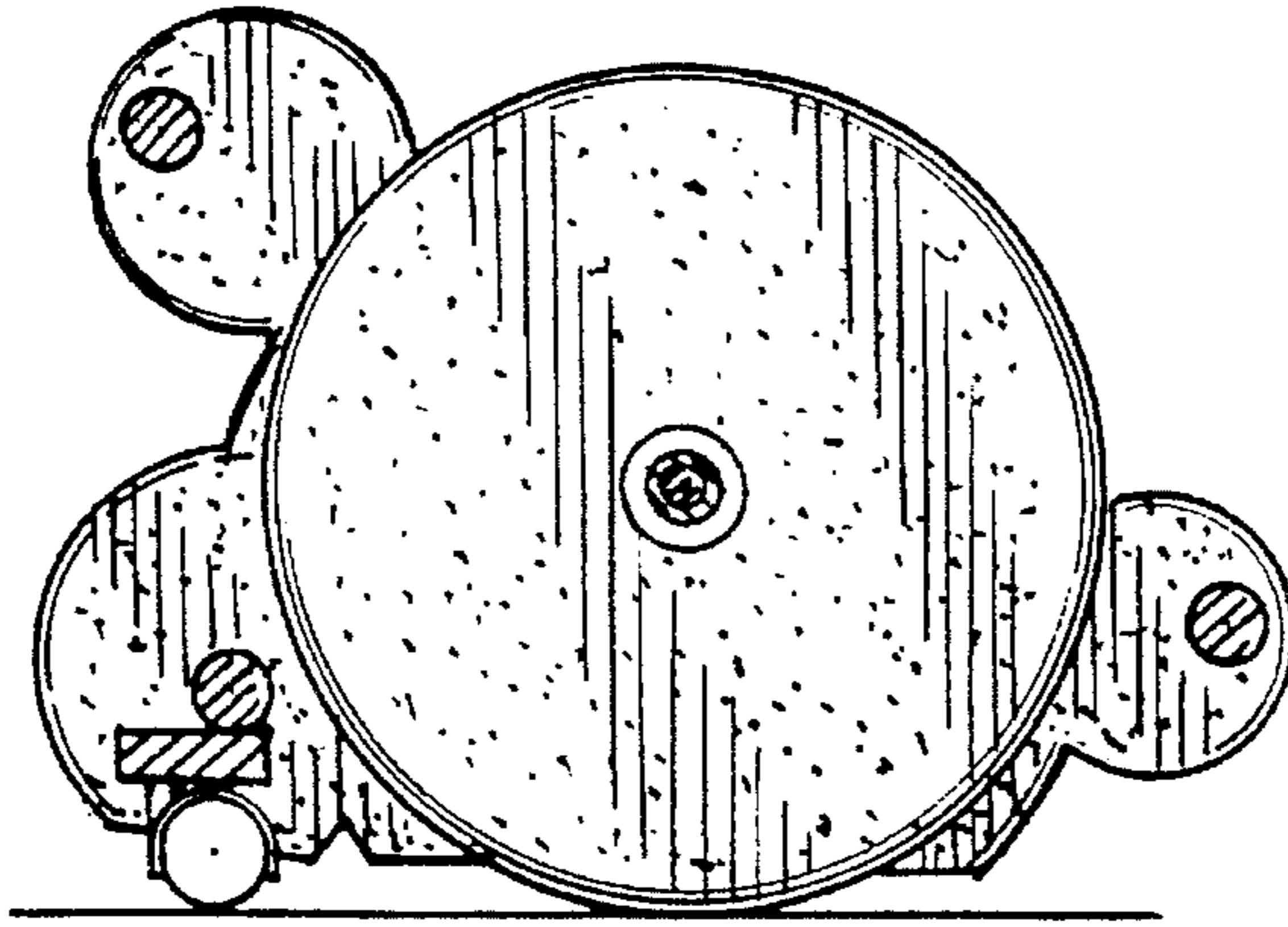


Fig. 7

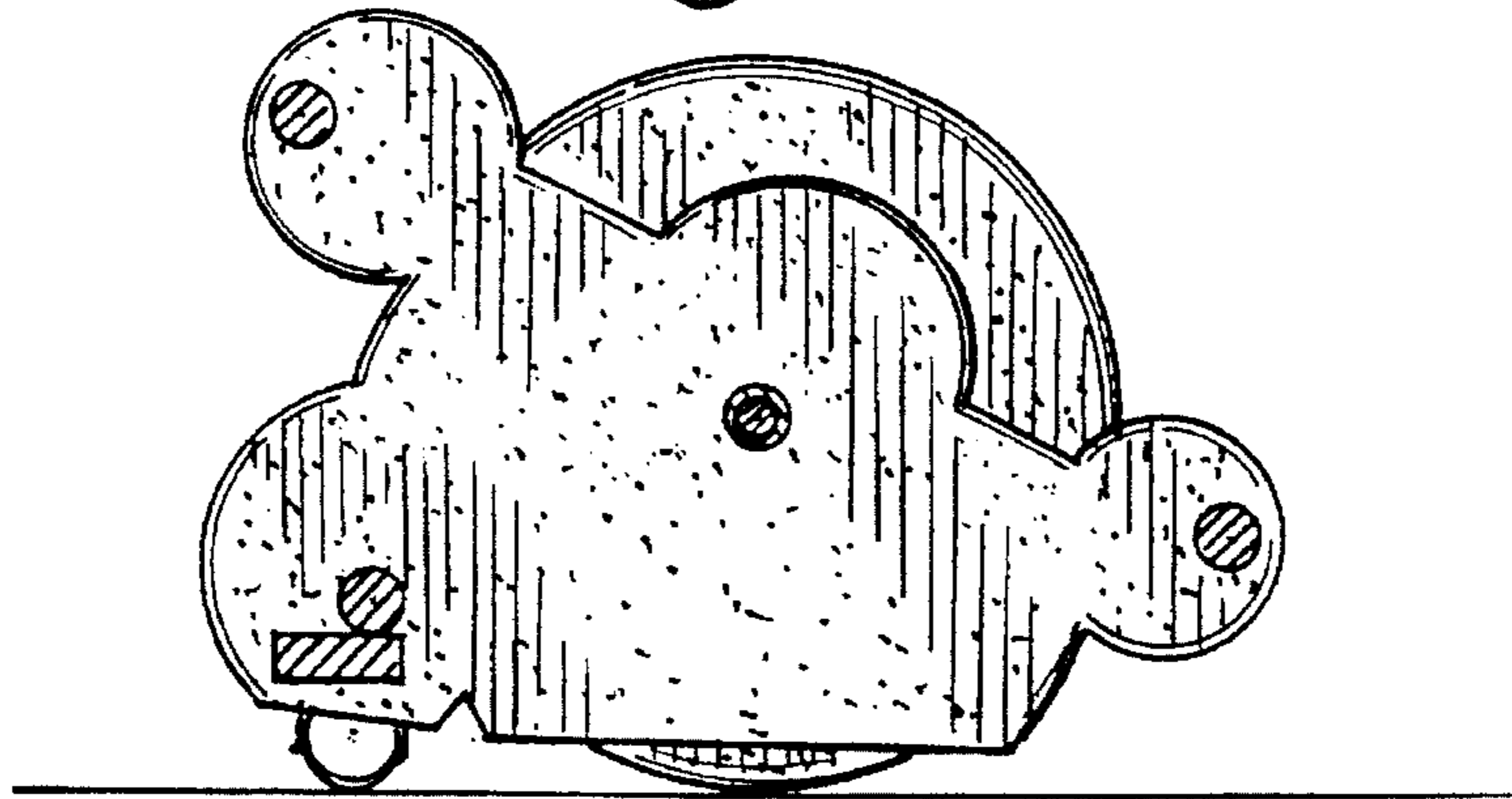


Fig. 8

