



US00D364887S

United States Patent [19] Wang

[11] Patent Number: **Des. 364,887**

[45] Date of Patent: ****Dec. 5, 1995**

[54] **COMBINED SUNGLASSES AND VISOR**

5,335,025 8/1994 Wang 351/44
5,347,655 9/1994 Garrett 2/10

[76] Inventor: **Wen-Te Wang**, No. 246-1, Kang-Kou,
Kang-Kou Tsun, An-Ting Hsiang,
Tainan Hsien, Taiwan

OTHER PUBLICATIONS

Bloomington's Catalog, May 1994, p. 35 Glasses #1.
Disney Catalog, Holiday 1989, p. 8 Cap lower left of Page.

[**] Term: **14 Years**

Primary Examiner—Terry A. Wallace
Assistant Examiner—R. Barkai
Attorney, Agent, or Firm—Morton J. Rosenberg; David I. Klein

[21] Appl. No.: **35,858**

[22] Filed: **Mar. 8, 1995**

[52] U.S. Cl. **D16/310**

[58] Field of Search D16/300, 306,
D16/309-311, 315-317, 323-330, 340;
D2/866, 868, 872, 879, 882; 351/44, 50,
51, 103-110, 158; 2/10, 12, 13

[57] **CLAIM**

The ornamental design for a combined sunglasses and visor, as shown and described.

DESCRIPTION

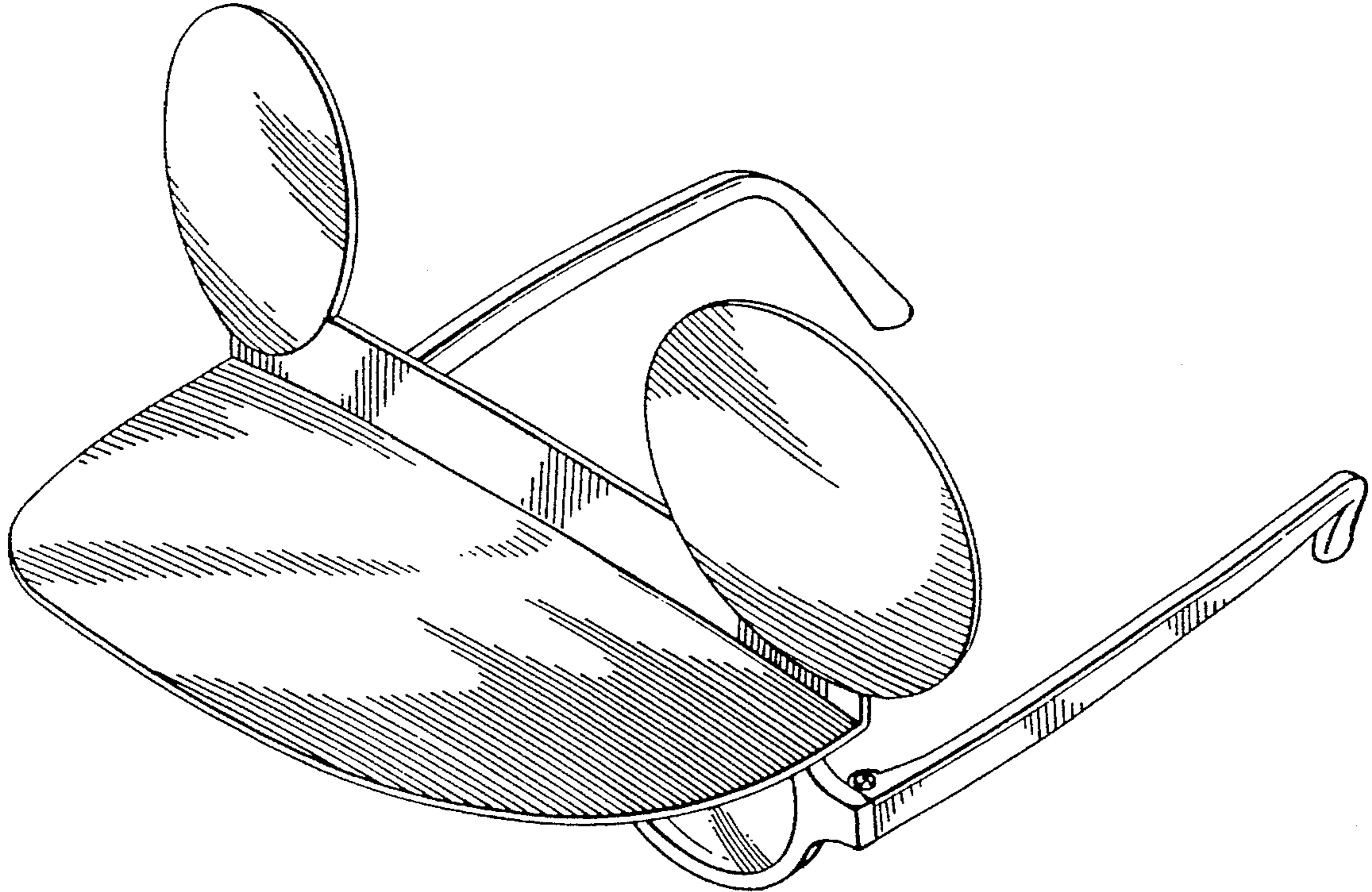
[56] **References Cited**

U.S. PATENT DOCUMENTS

D. 178,984	10/1956	Black	D16/310
D. 280,948	10/1985	Smith	D2/872
D. 357,032	4/1995	Wang	D16/310
1,510,018	9/1924	Schumacher	D16/317
1,690,139	11/1928	Smith	351/44
4,815,838	3/1989	Liautaud	351/158
5,070,545	12/1991	Tapia	2/12
5,307,094	4/1994	Gonzalez	351/158

FIG. 1 is a perspective view of a combined sunglasses and visor showing our new design;
FIG. 2 is a front elevational view thereof;
FIG. 3 is a rear elevational view thereof;
FIG. 4 is a left side elevational view thereof;
FIG. 5 is a right side elevational view thereof;
FIG. 6 is a top plan view thereof; and,
FIG. 7 is a bottom plan view thereof.

1 Claim, 5 Drawing Sheets



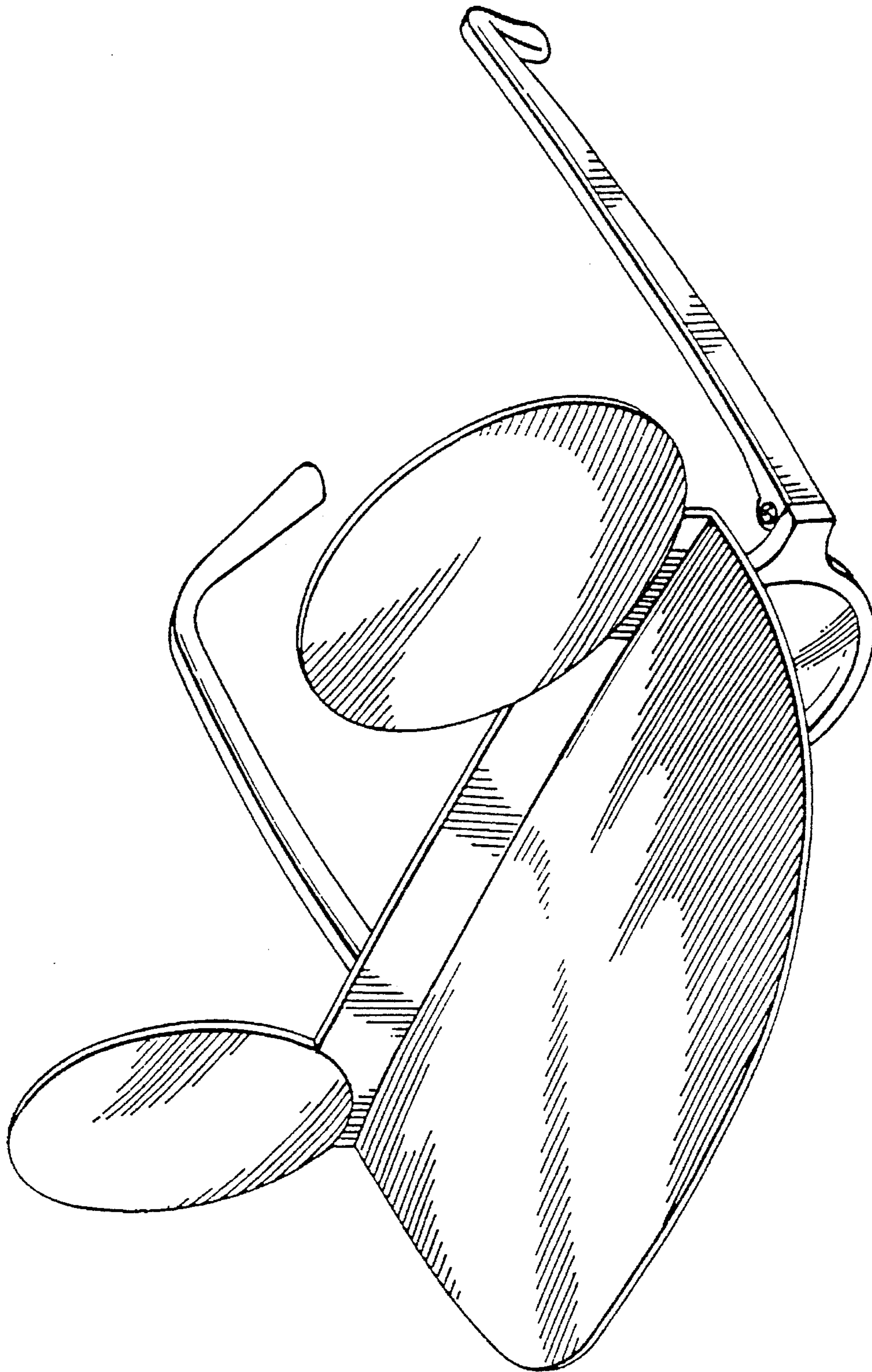


FIG. 1

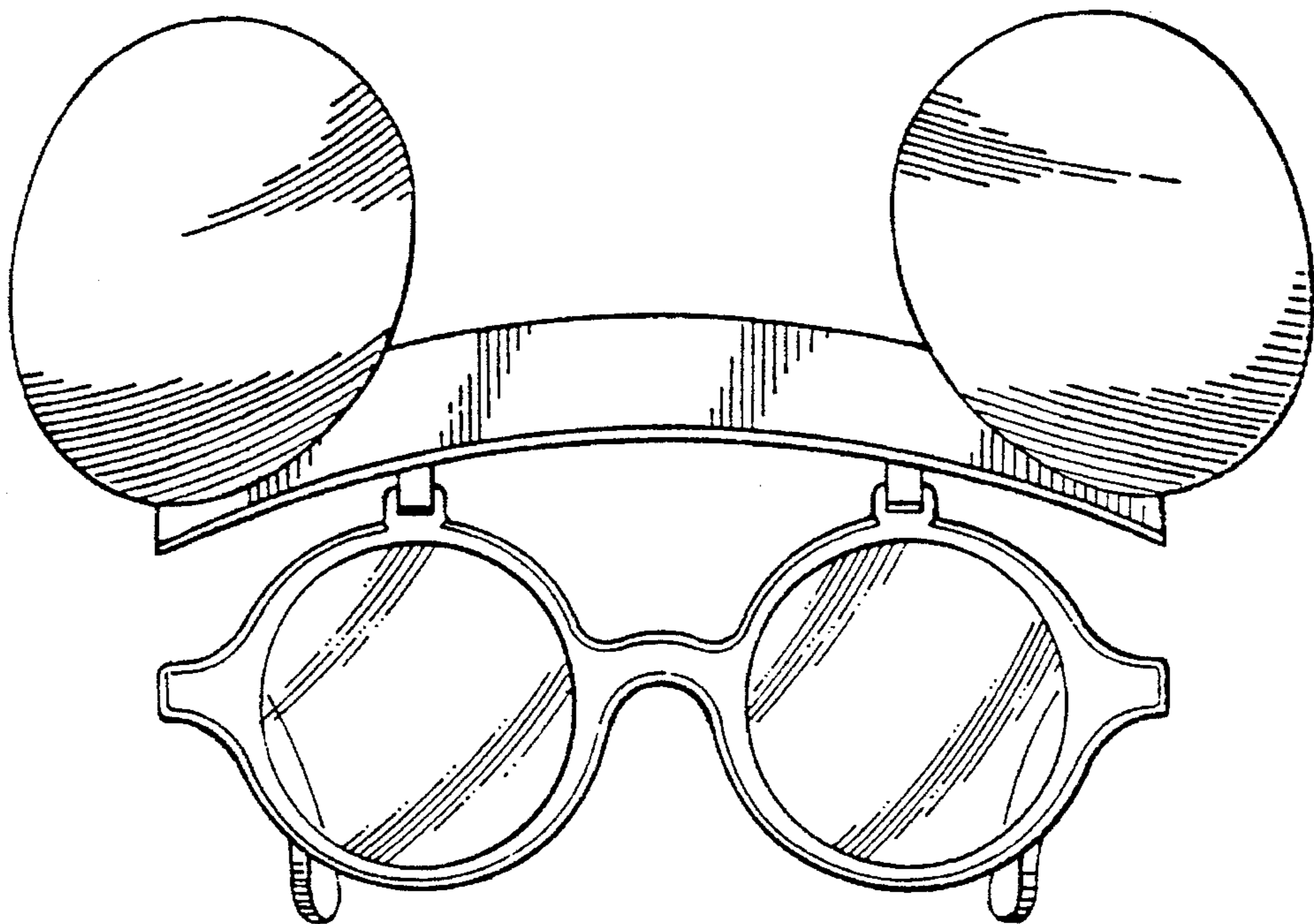


FIG. 2

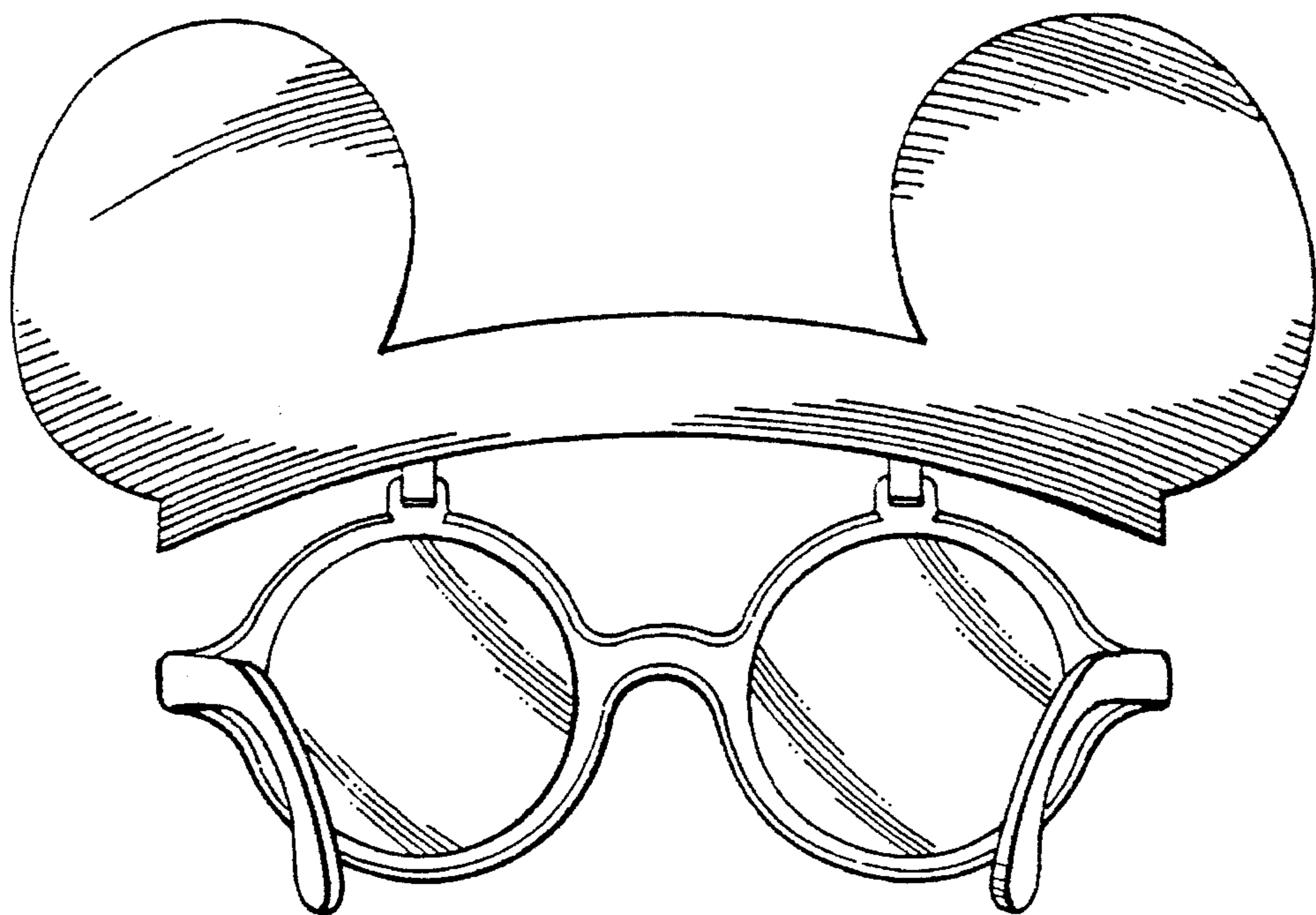


FIG. 3

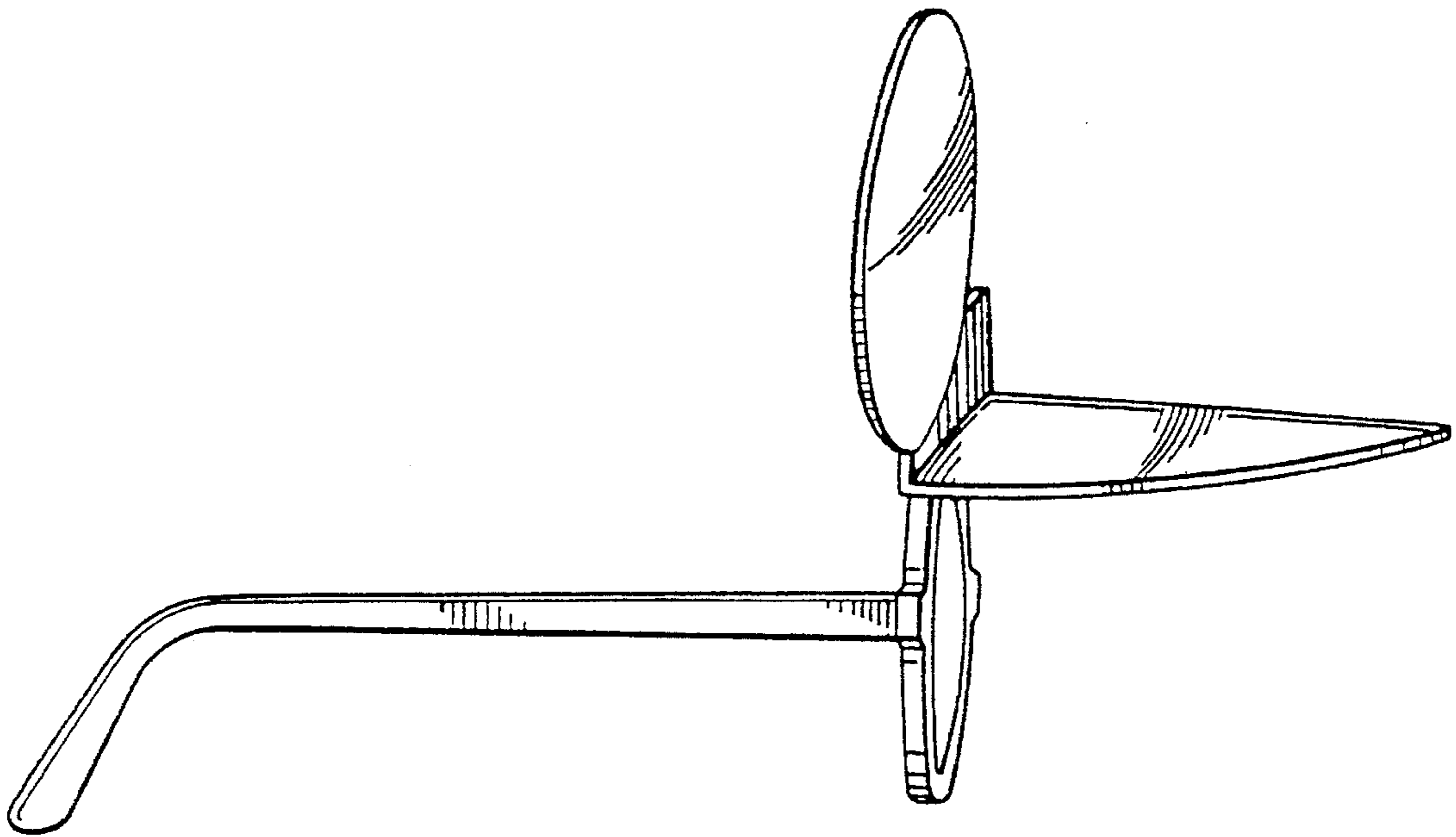


FIG. 4

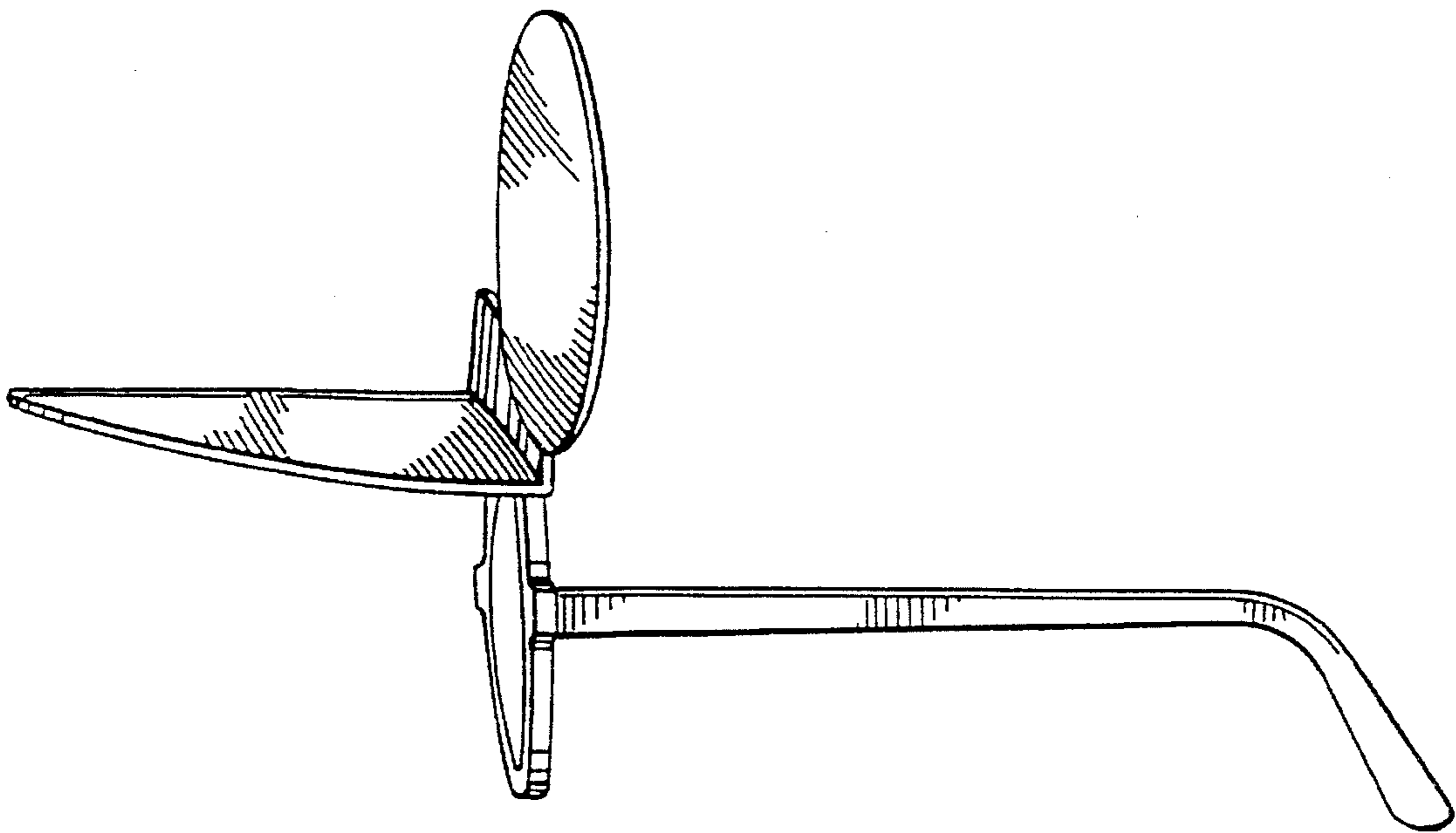


FIG. 5

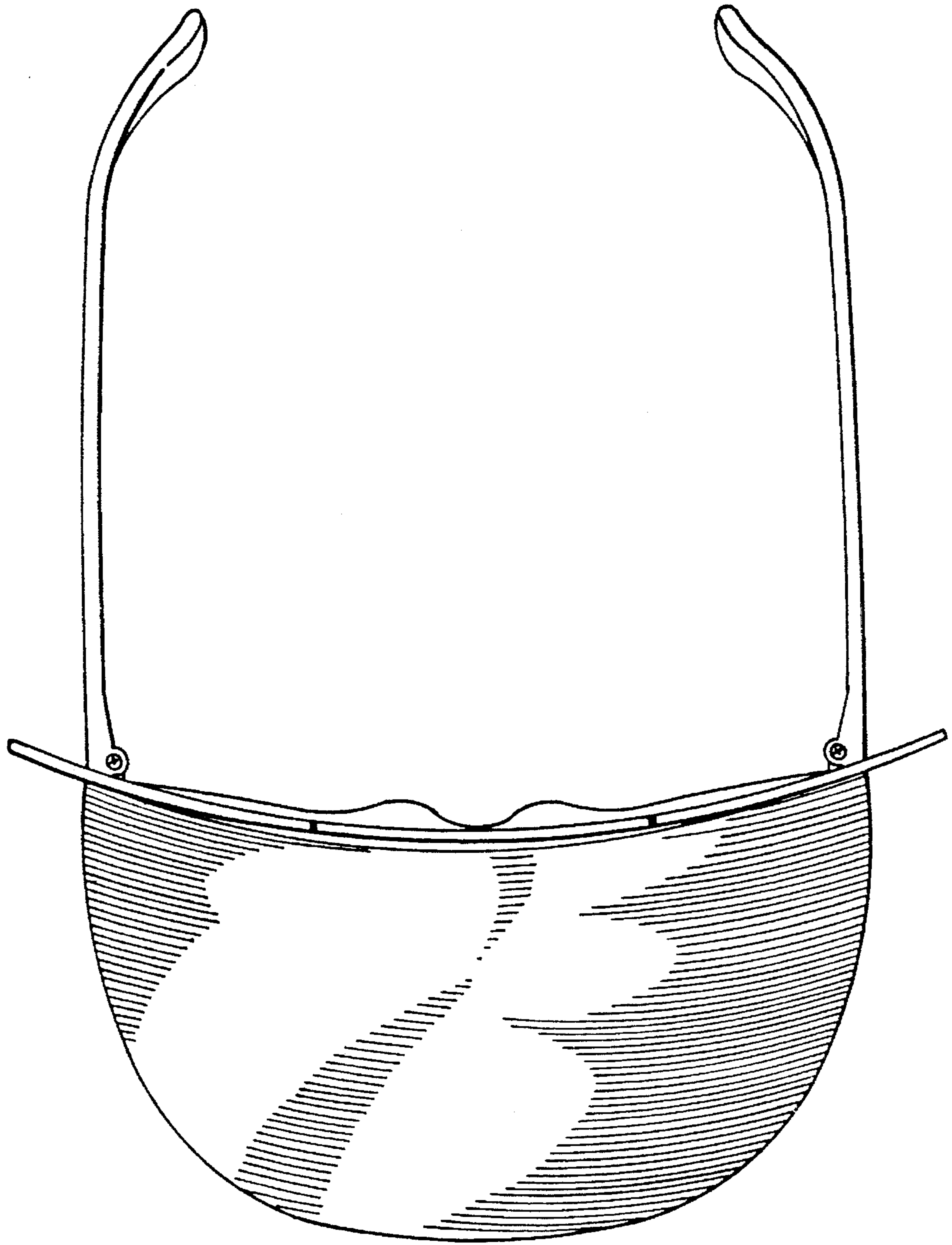


FIG. 6

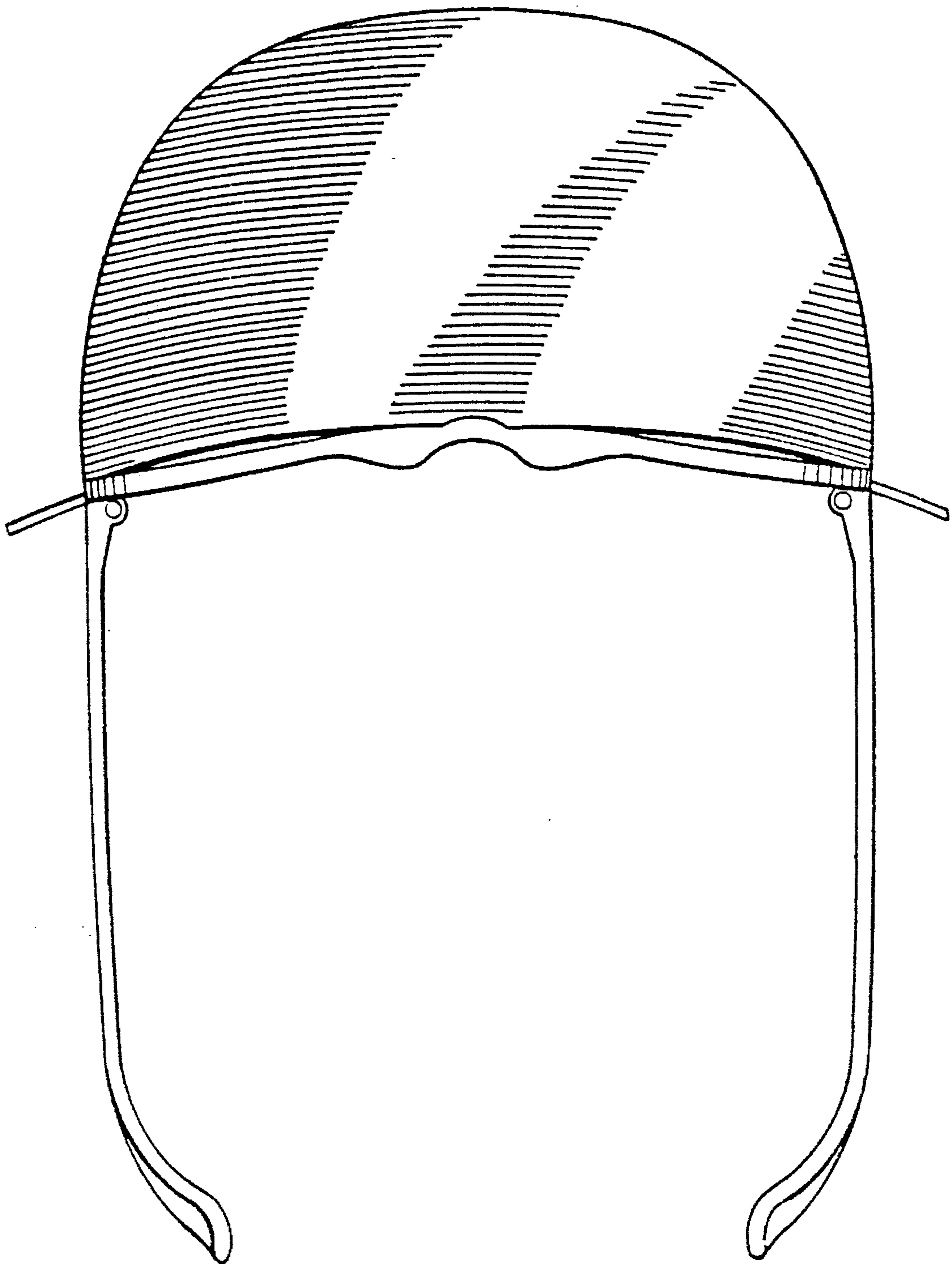


FIG. 7