



US00D364885S

# United States Patent [19] Chang

[11] **Patent Number:** **Des. 364,885**  
[45] **Date of Patent:** **\*\*Dec. 5, 1995**

[54] **SPECTACLES**

[76] **Inventor:** **Tien-Tzu Chang**, No. 1, Alley 99, Lane 274, S. Shung-Chen Road, Yung-Kang, Tainan Shien, Taiwan

[\*\*] **Term:** **14 Years**

[21] **Appl. No.:** **25,715**

[22] **Filed:** **Jul. 11, 1994**

[52] **U.S. Cl. ....** **D16/306**; D16/310; D16/304

[58] **Field of Search** ..... D16/303, 304, D16/306, 310, 314, 317, 318, 321, 323, 324, 326, 327, 329, 330, 341, 900; 351/44, 51, 52, 59, 63, 103, 106, 110, 118, 119, 122, 158

[56] **References Cited**

**U.S. PATENT DOCUMENTS**

1,212	6/1839	Smith	.....	D16/303
D. 178,984	10/1956	Black	.....	D16/310
D. 201,921	8/1965	Harley	.....	D16/321
D. 354,067	1/1995	Luzlbauer	.....	D16/321
444,505	1/1891	Price	.....	351/118

614,673	11/1898	Taylor	.....	D16/317
3,620,608	11/1971	Davis	.....	351/111
3,752,567	8/1973	Broadhurst	.....	351/63
3,840,294	10/1974	Kneier	.....	351/59
5,307,094	4/1994	Gonzalez	.....	351/59
5,384,604	1/1995	Chang	.....	351/63

*Primary Examiner*—Theodore M. Shooman  
*Assistant Examiner*—R. Barkai

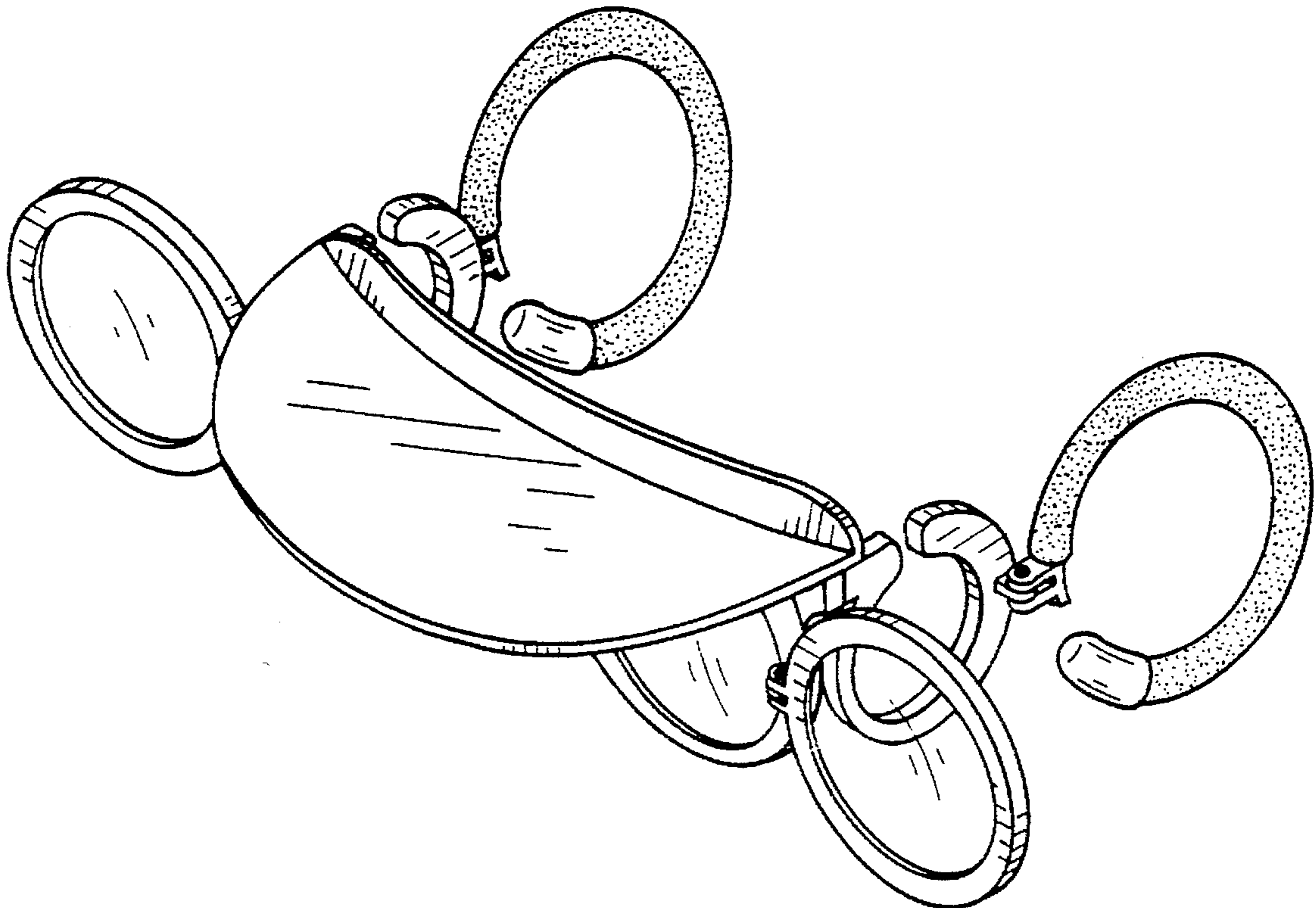
[57] **CLAIM**

The ornamental design for spectacles, as shown and described.

**DESCRIPTION**

FIG. 1 is a top, front, and left side perspective view of spectacles showing my new design;  
FIG. 2 is a front elevational view thereof;  
FIG. 3 is a rear elevational view thereof;  
FIG. 4 is a left side elevational view thereof;  
FIG. 5 is a right side elevational view thereof;  
FIG. 6 is a top plan view thereof; and,  
FIG. 7 is a bottom plan view thereof.

**1 Claim, 4 Drawing Sheets**



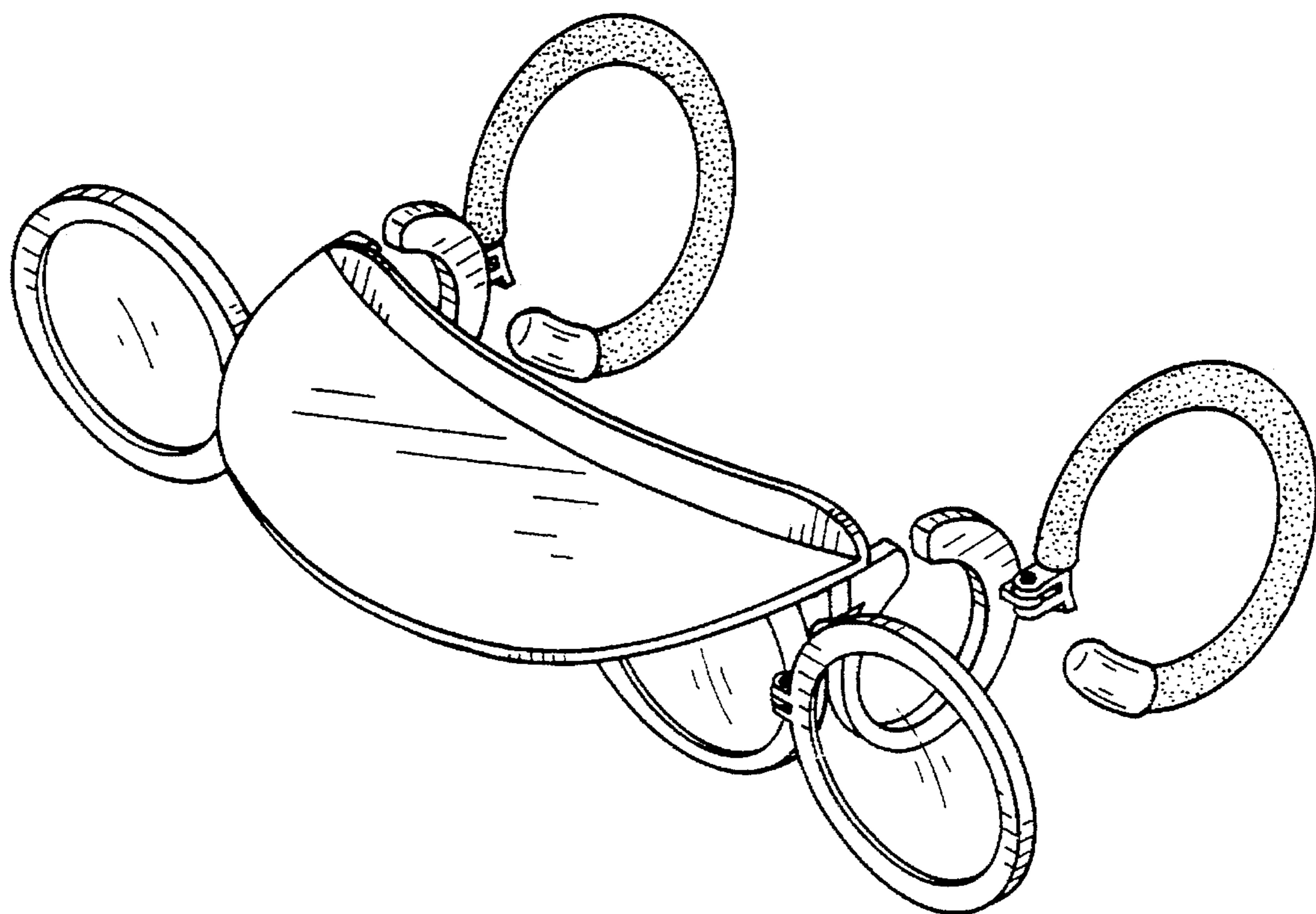


FIG. 1

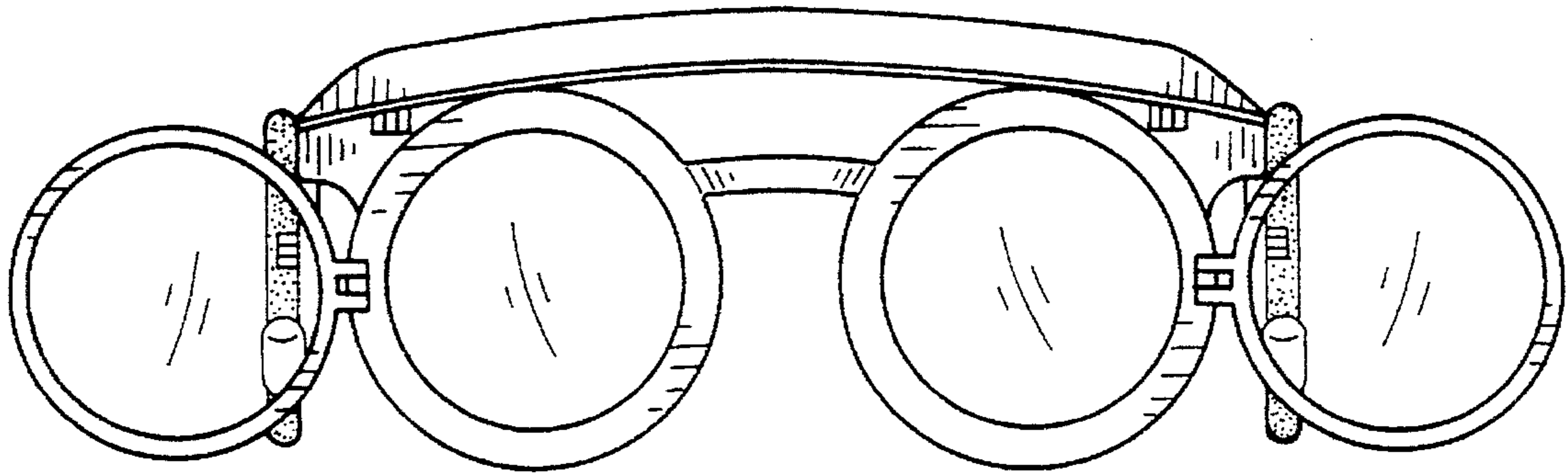


FIG. 2

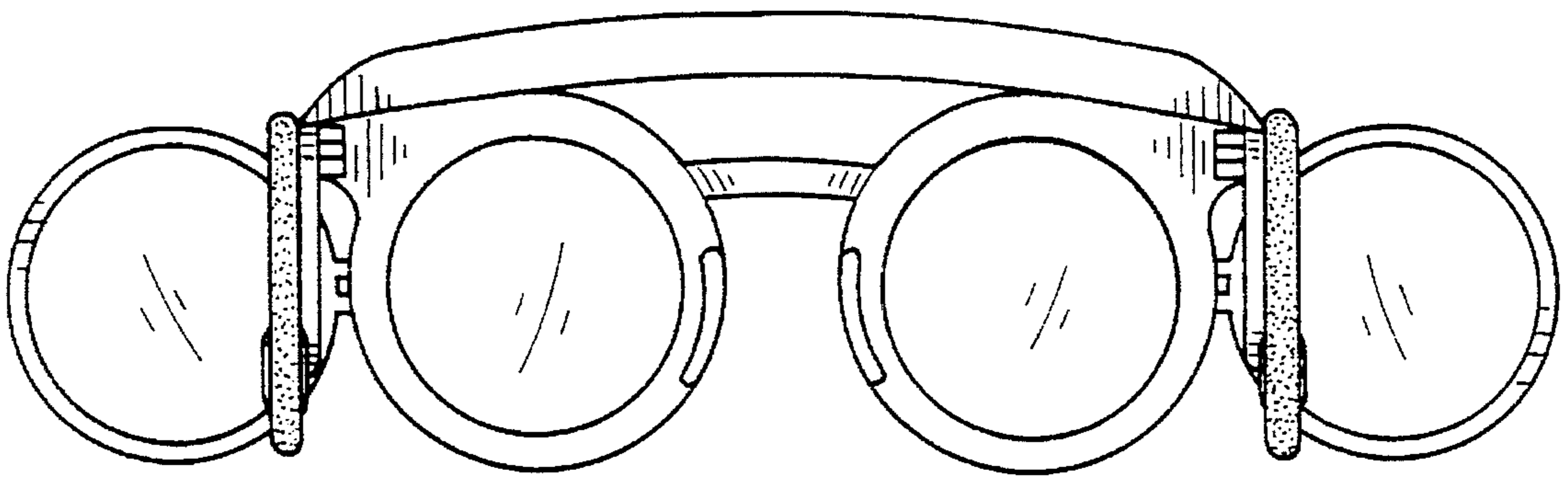


FIG. 3

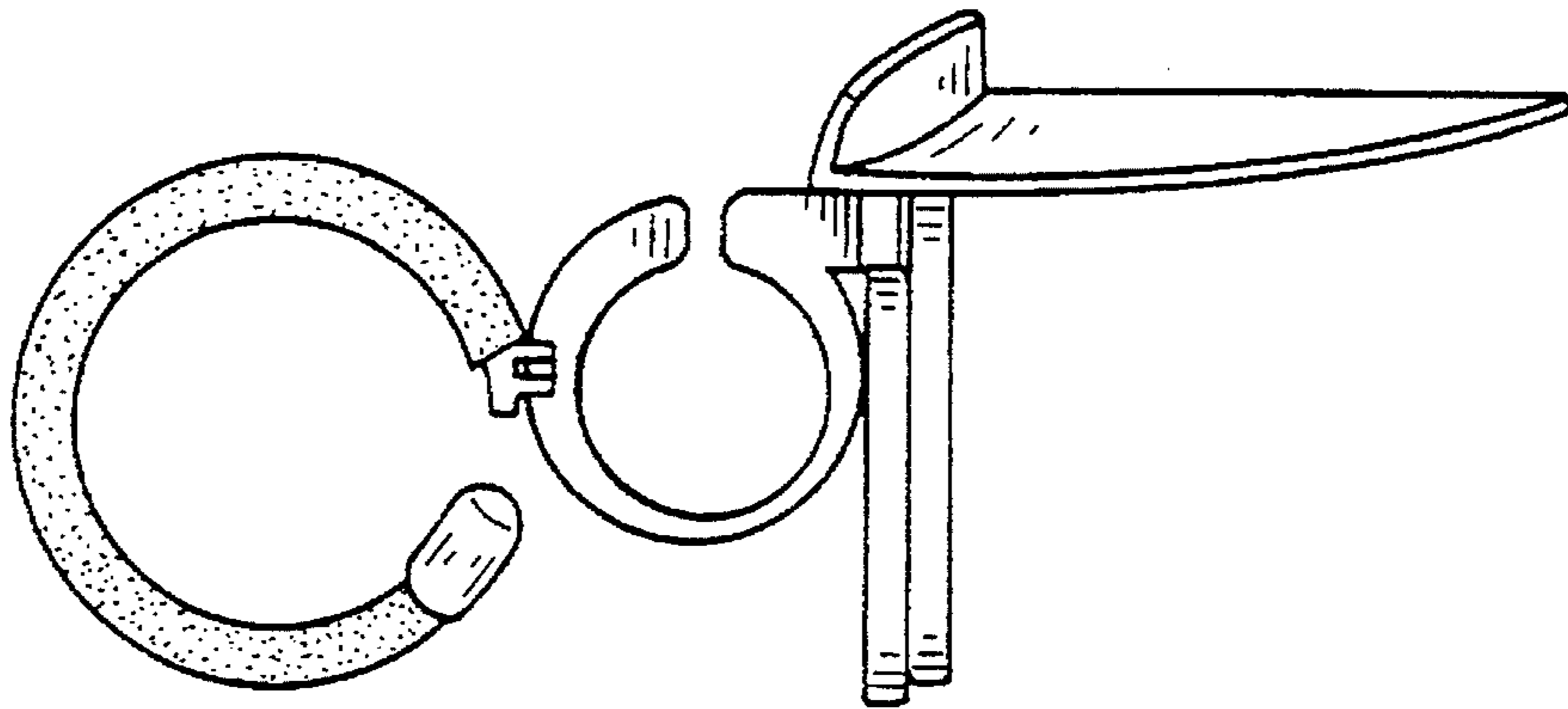


FIG. 4

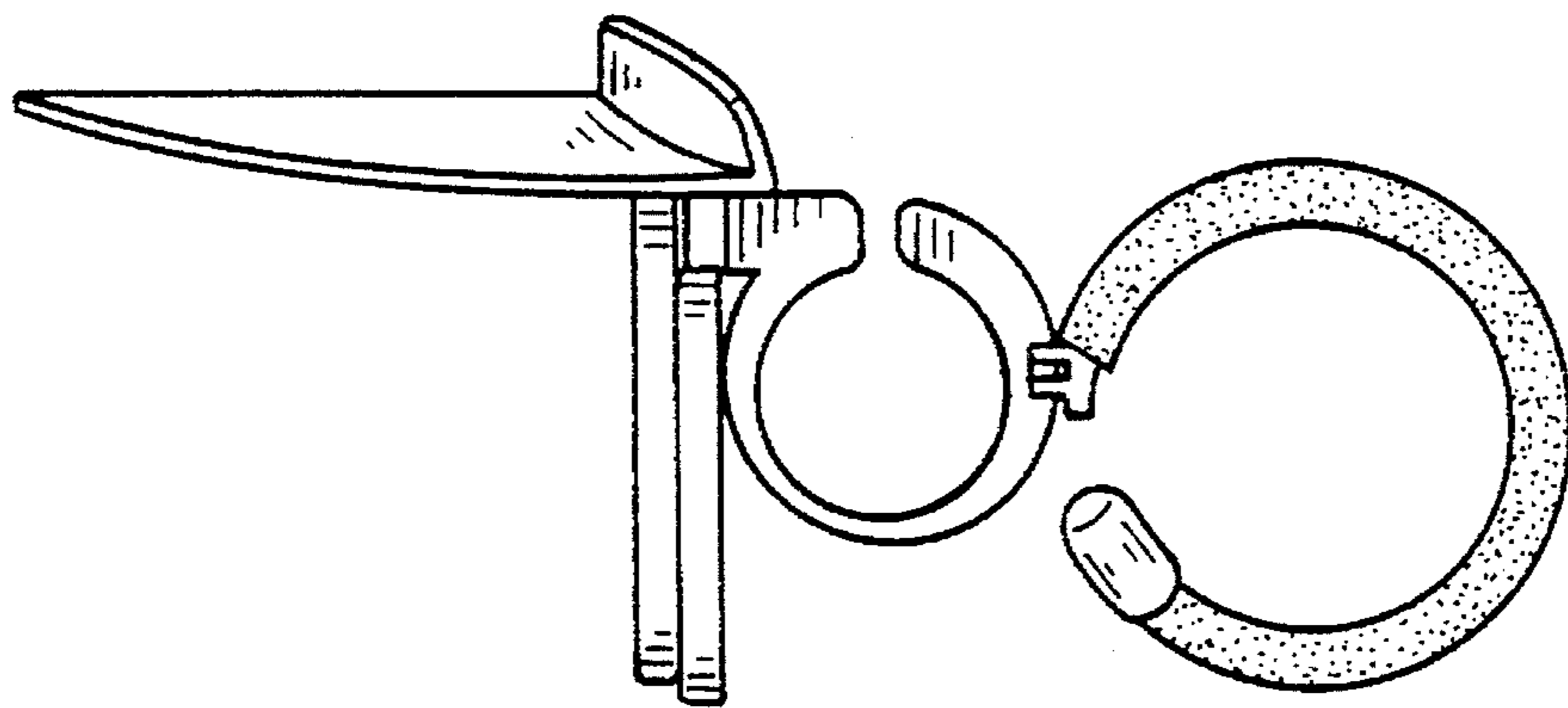


FIG. 5

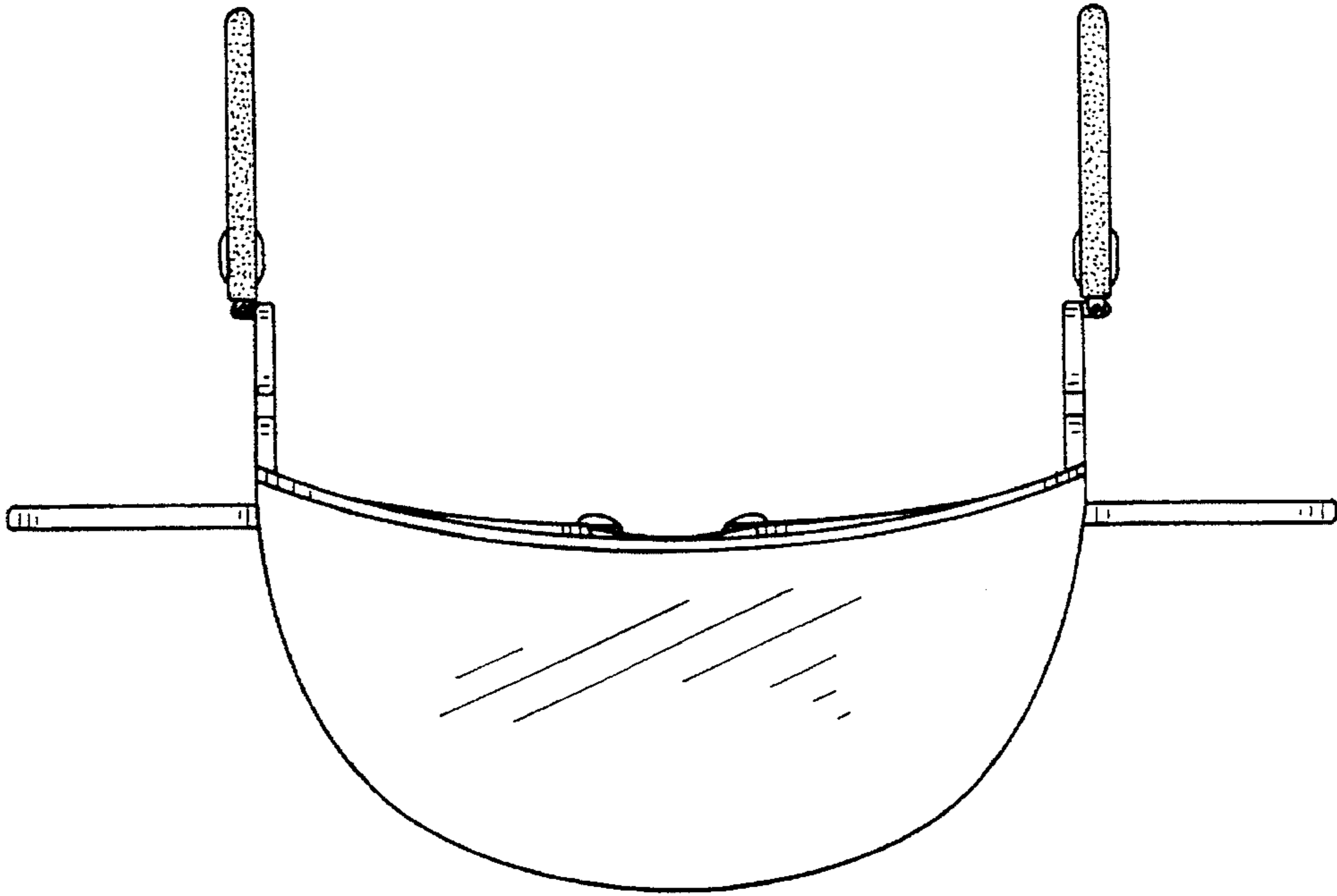


FIG. 6

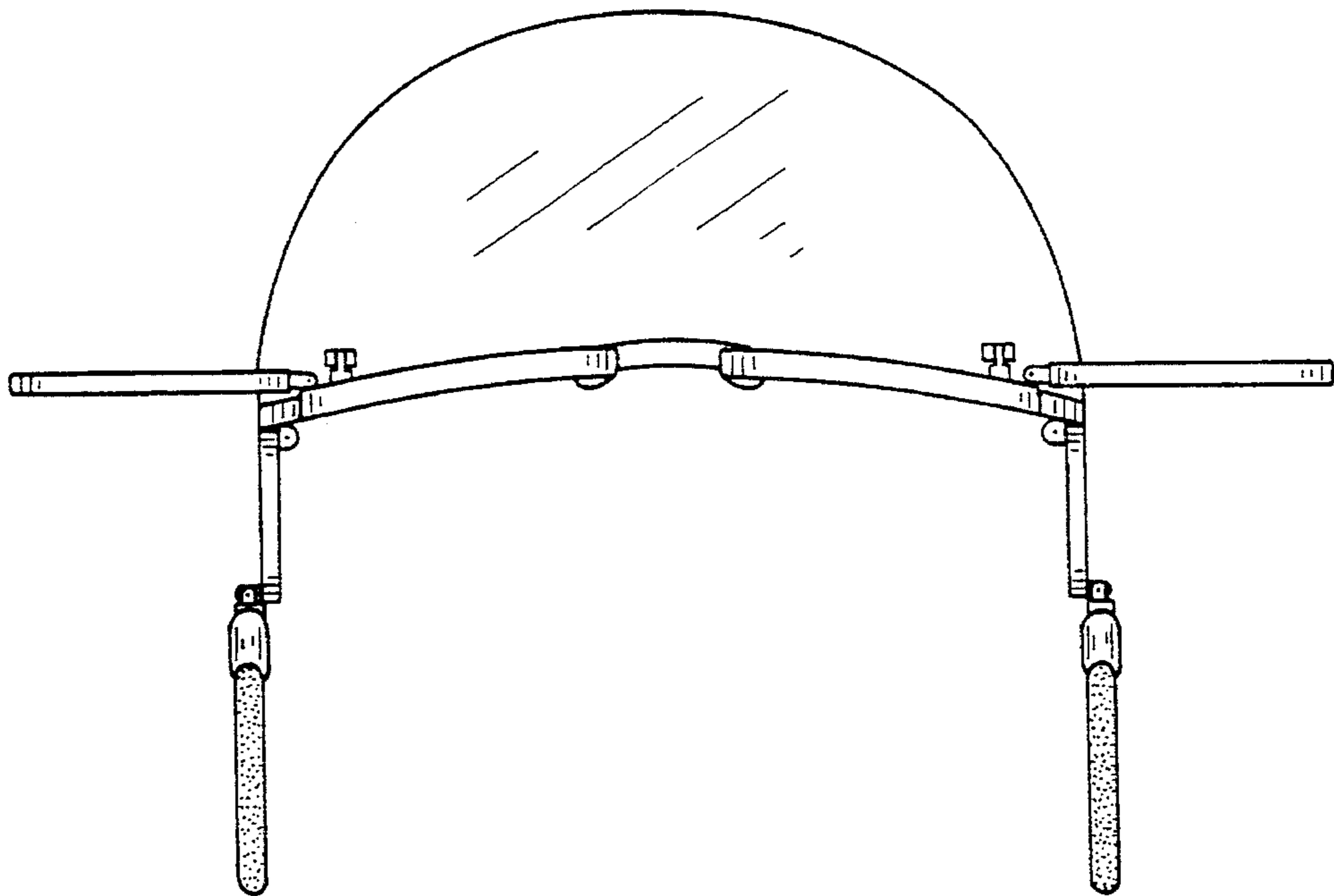


FIG. 7