



US00D364884S

# United States Patent [19] Shindo

[11] **Patent Number:** **Des. 364,884**  
[45] **Date of Patent:** **\*\*Dec. 5, 1995**

[54] **VIDEO CAMERA COMBINED WITH OPTICAL MAGNETIC DISC RECORDER**

[75] Inventor: **Koji Shindo**, Tokyo, Japan

[73] Assignee: **Sony Corporation**, Tokyo, Japan

[\*\*] Term: **14 Years**

[21] Appl. No.: **20,365**

[22] Filed: **Mar. 25, 1994**

[30] **Foreign Application Priority Data**

Oct. 21, 1993 [JP] Japan ..... 5-32021

[52] **U.S. Cl.** ..... **D16/202; D14/135**

[58] **Field of Search** ..... **D16/200-205; 348/373-376; 354/82, 288; 358/906, 909.1; D14/126, 129, 156, 135, 136; H04N 5/225**

[56] **References Cited**

**U.S. PATENT DOCUMENTS**

D. 250,470	12/1978	Nishigaki et al.	.....	D14/136
D. 317,306	6/1991	Hong	.....	D14/135
D. 335,499	5/1993	Koinuma	.....	D16/202
D. 342,750	12/1993	Kibushi et al.	.....	D16/202
4,562,478	12/1985	Hirasawa et al.	.....	D14/126
5,032,921	7/1991	Harase et al.	.....	348/375
5,146,353	9/1992	Isoguchi et al.	.....	358/909.1

**OTHER PUBLICATIONS**

HFD, May 22, 1989 p. 14 (Panasonic's SL-NP II CP Player).  
Sony Catalog, 1993 Cover Page (MD Minidisc Portable Player).

*Primary Examiner*—Theodore M. Shooman  
*Assistant Examiner*—Adir Aronovich  
*Attorney, Agent, or Firm*—Jay H. Maioli

[57] **CLAIM**

The ornamental design for a video camera combined with optical magnetic disc recorder, as shown and described.

**DESCRIPTION**

FIG. 1 is a top, front, and right-side perspective view of a video camera combined with optical magnetic disc recorder, showing my new design;

FIG. 2 is a top, rear and right-side perspective view thereof;

FIG. 3 is a front, bottom and left-side perspective view thereof, shown with an optical magnetic disc cartridge partially inserted therein, the broken line showing of the optical magnetic disc cartridge is for environmental purposes only and forms no part of the present design;

FIG. 4 is a front elevational view thereof;

FIG. 5 is a rear elevational view thereof;

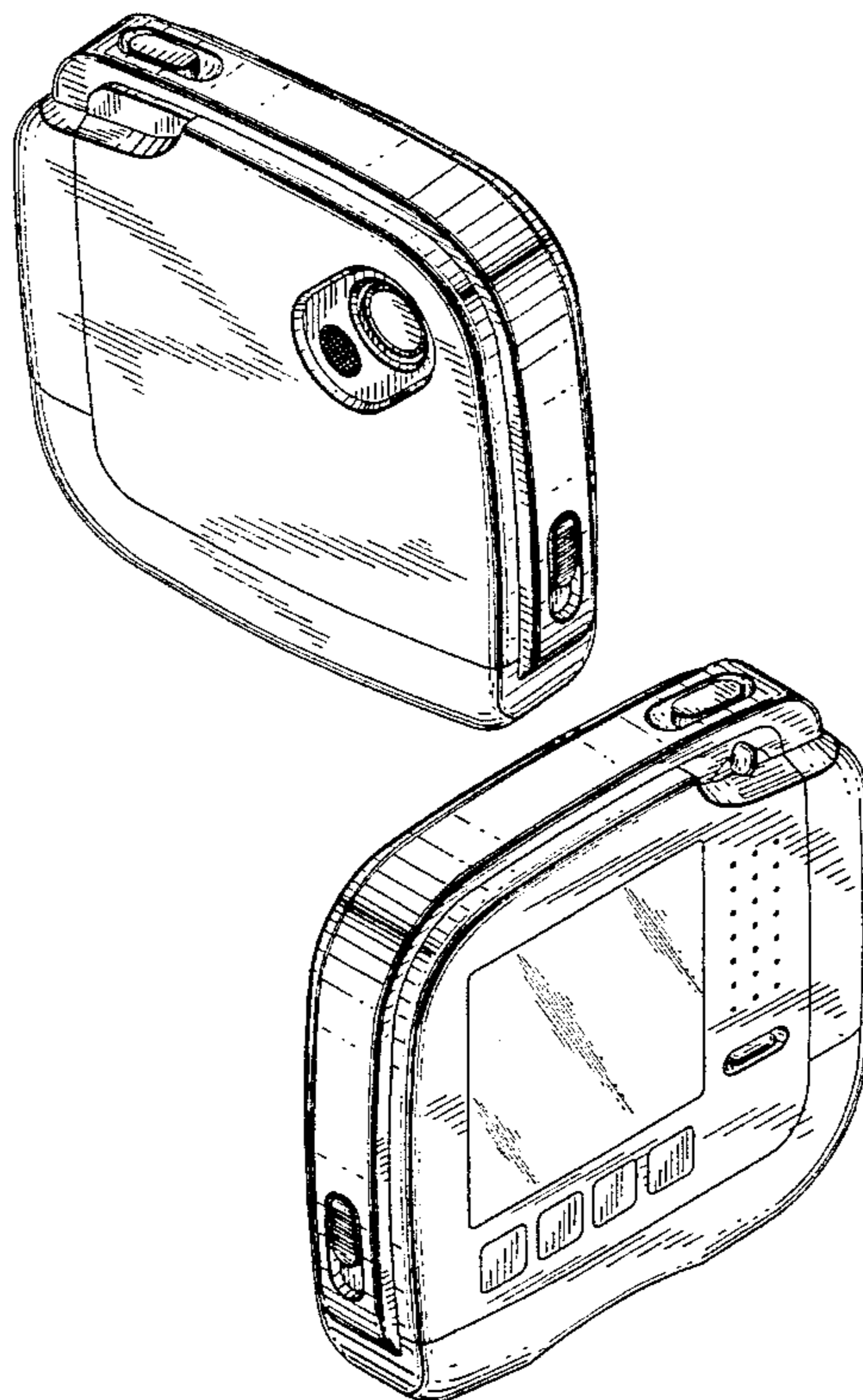
FIG. 6 is a left-side elevational view thereof;

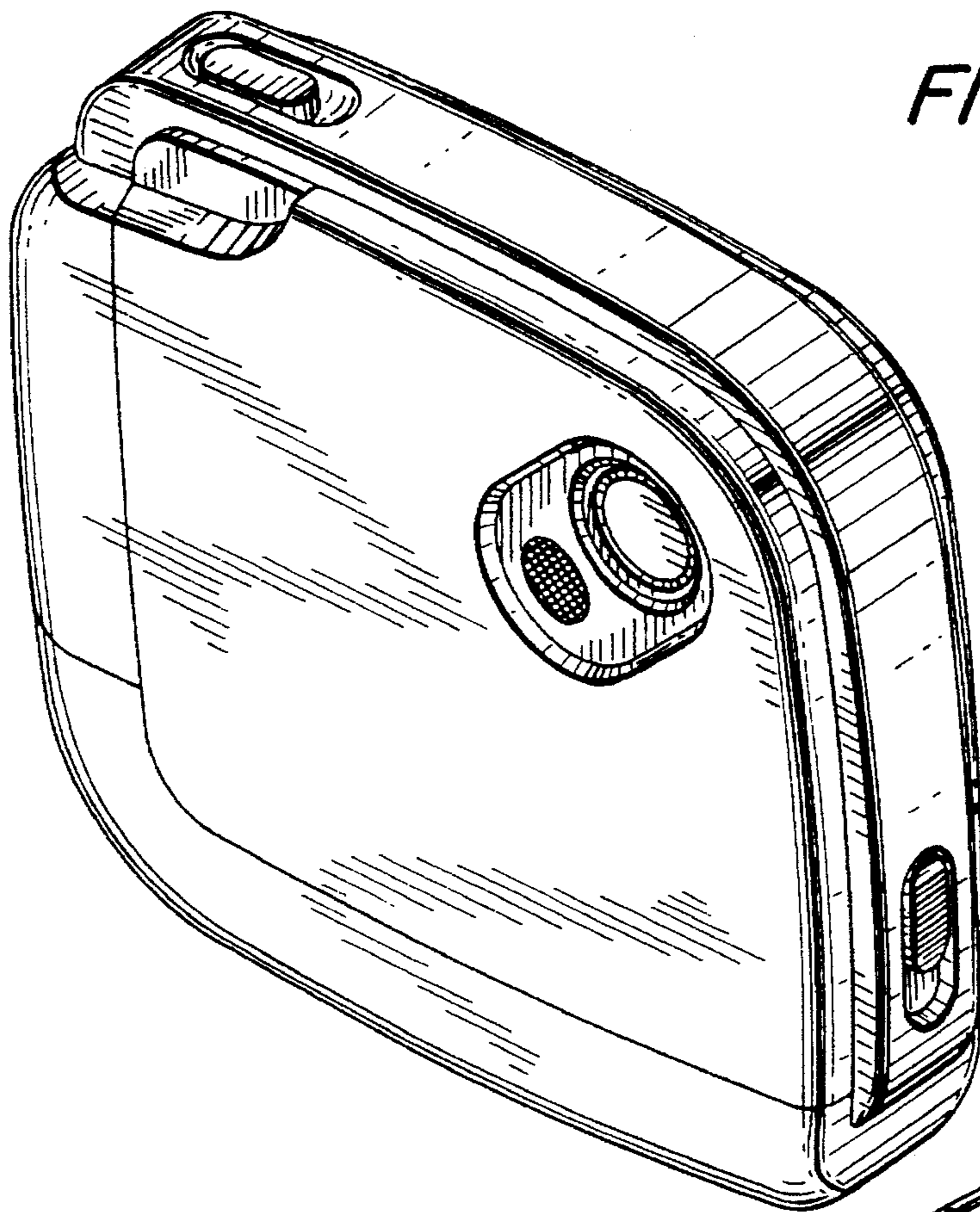
FIG. 7 is a right-side elevational view thereof;

FIG. 8 is a top plan view thereof; and,

FIG. 9 is a bottom plan view thereof.

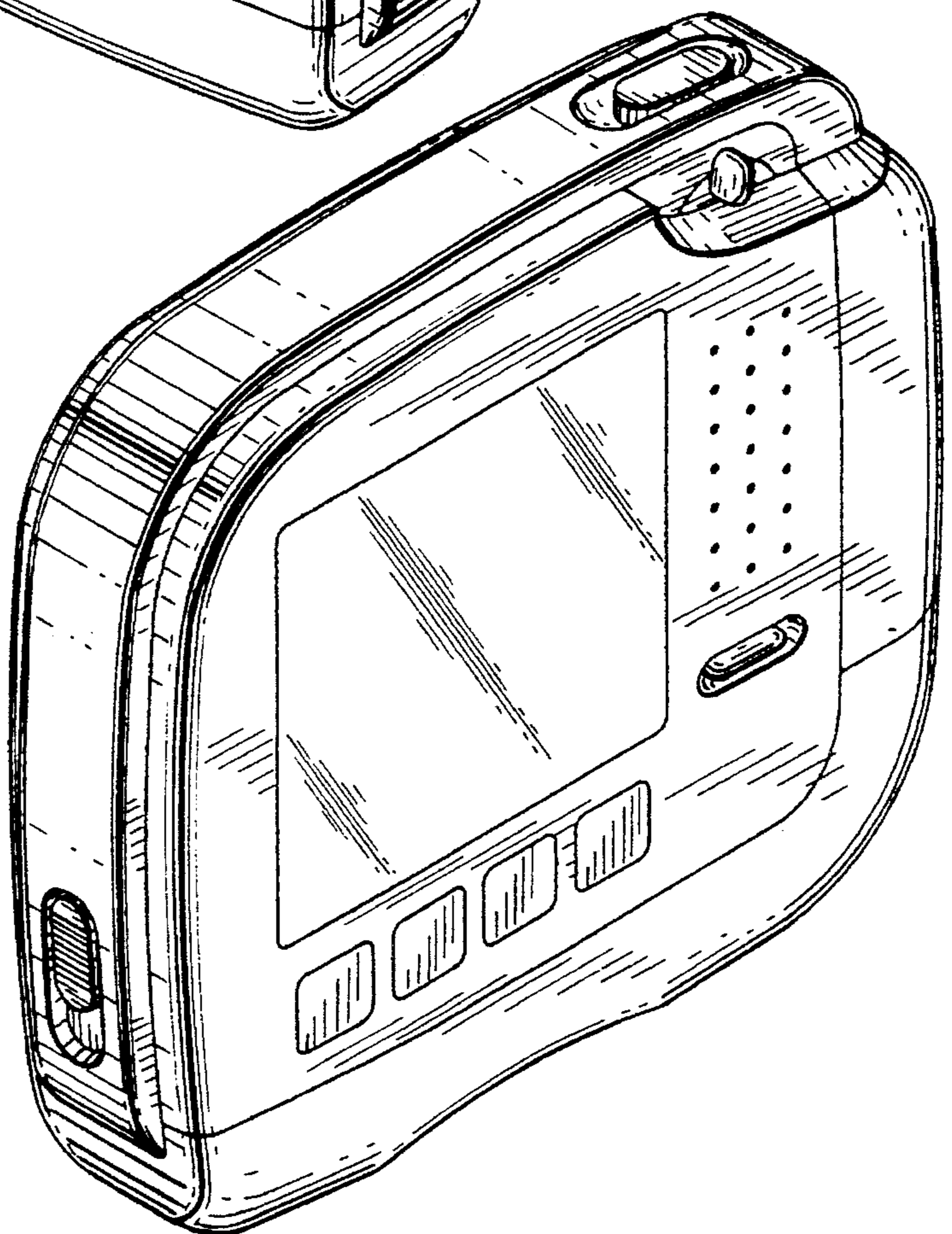
**1 Claim, 4 Drawing Sheets**





*FIG. 1*

*FIG. 2*



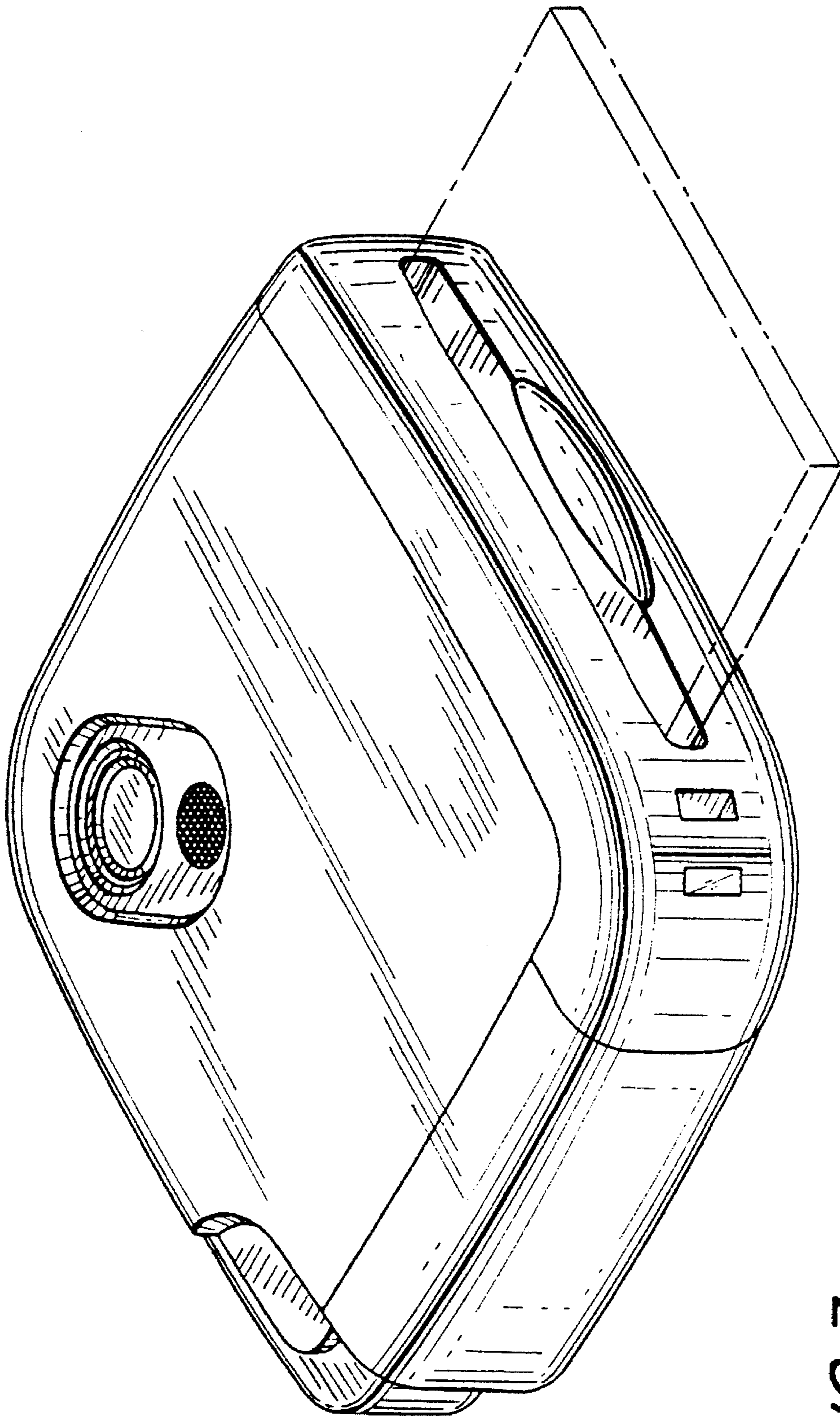
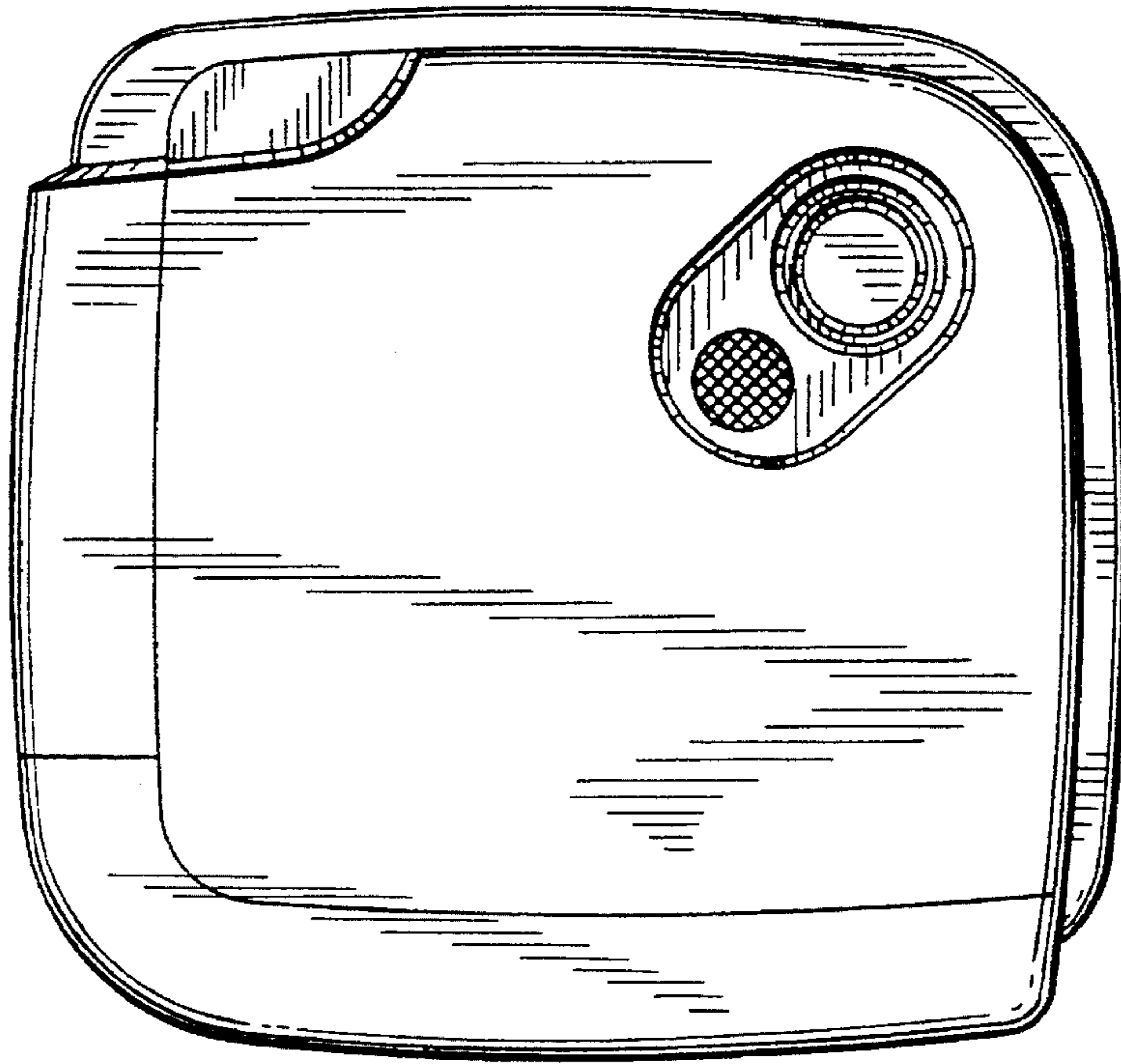
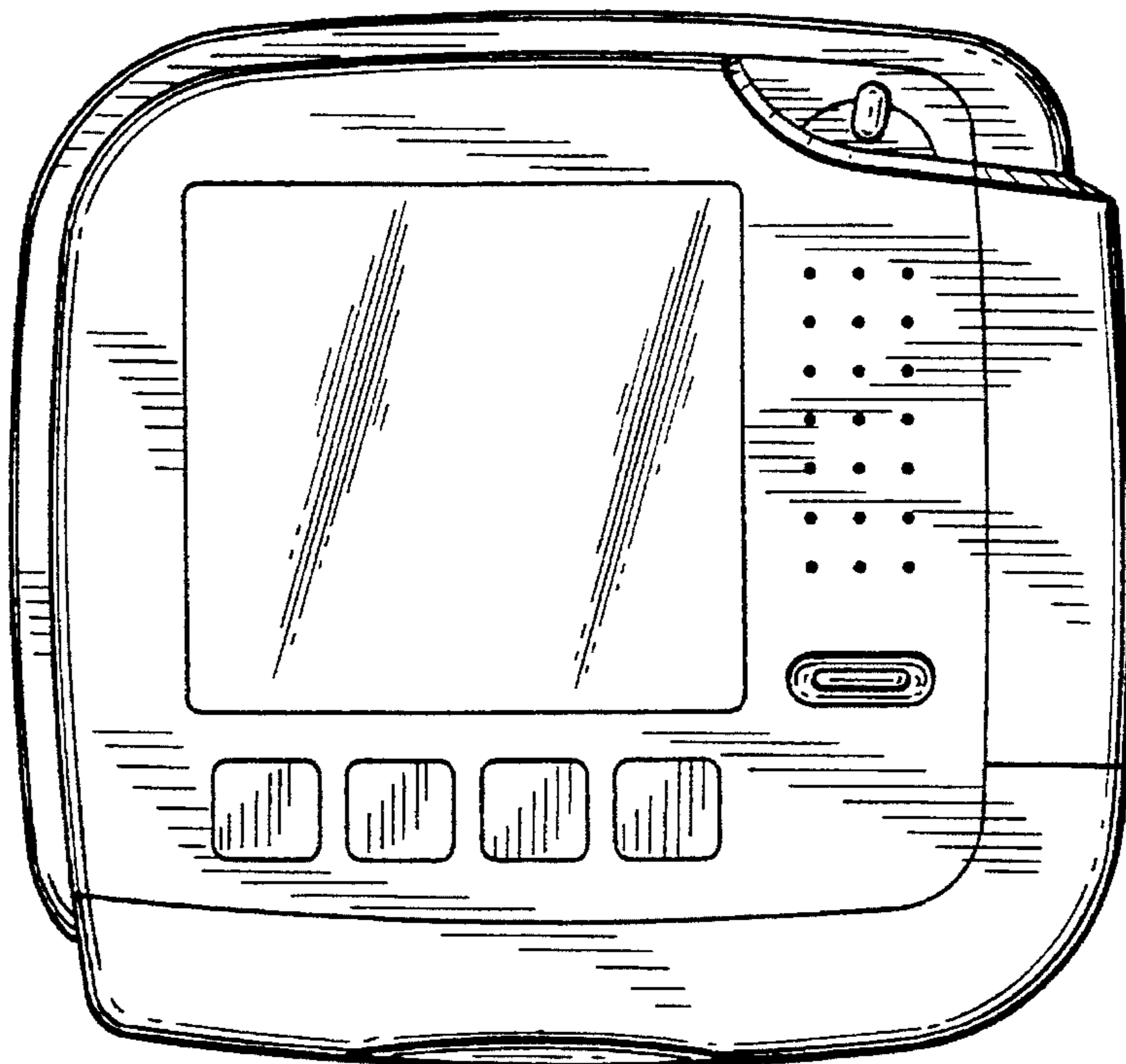


FIG. 3

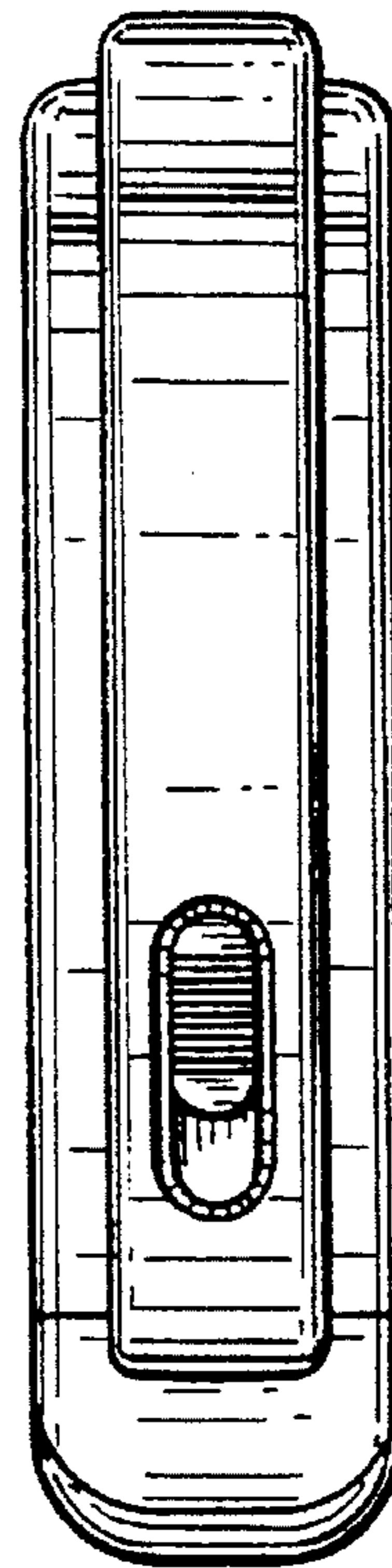
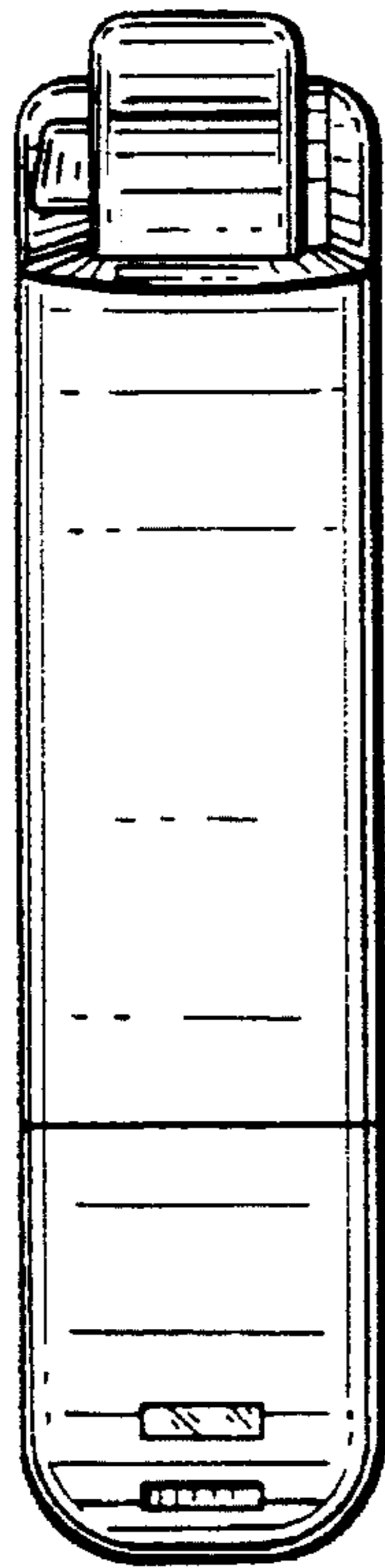
*FIG. 4*



*FIG. 5*

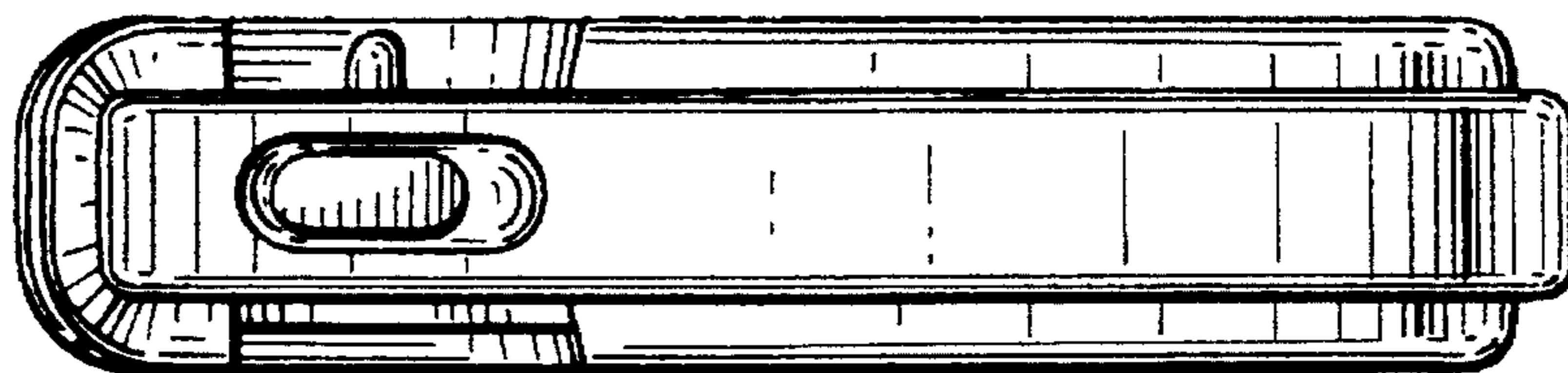


*FIG.6*



*FIG.7*

*FIG.8*



*FIG.9*

